



US00D730582S

(12) **United States Design Patent**
Lee

(10) **Patent No.:** **US D730,582 S**
(45) **Date of Patent:** **** May 26, 2015**

(54) **BACK SCRATCHER**

(71) Applicant: **Jaeyu Lee**, New York, NY (US)

(72) Inventor: **Jaeyu Lee**, New York, NY (US)

(73) Assignee: **Kikkerland Design, Inc.**, New York, NY (US)

(**) Term: **14 Years**

(21) Appl. No.: **29/480,020**

(22) Filed: **Jan. 22, 2014**

(51) **LOC (10) Cl.** **28-99**

(52) **U.S. Cl.**
USPC **D28/91.2; D24/214**

(58) **Field of Classification Search**
CPC A61H 7/003; A45D 24/02; A45D 24/12;
A45D 24/14
USPC D28/91.2; D24/211-215; 601/135, 137;
132/150
See application file for complete search history.

(56) **References Cited**

U.S. PATENT DOCUMENTS

D443,114 S * 5/2001 Burrell et al. D28/91.2
D570,547 S * 6/2008 Roberts D28/91.2

D610,311 S * 2/2010 Campbell D28/91.2
D648,033 S * 11/2011 Lyu D24/214
D683,854 S * 6/2013 Lowe et al. D28/91.2
D688,009 S * 8/2013 Mahoney, Jr. D28/91.2

* cited by examiner

Primary Examiner — Jennifer Rivard

(74) *Attorney, Agent, or Firm* — Cascio & Zervas

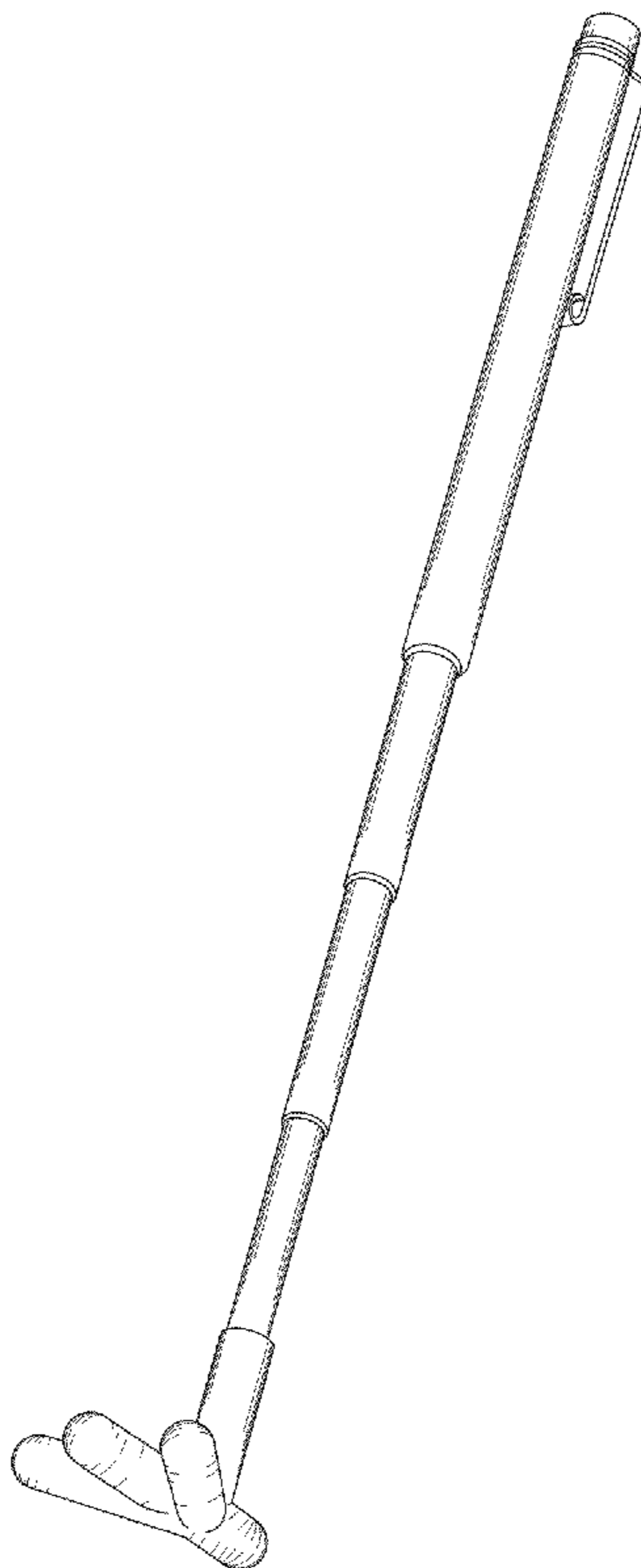
(57) **CLAIM**

The ornamental design for a back scratcher, as shown and described.

DESCRIPTION

FIG. 1 is a right side elevational view showing my design;
FIG. 2 is a left side elevational view thereof;
FIG. 3 is a front elevational view thereof;
FIG. 4 is a rear elevational view thereof;
FIG. 5 is a bottom plan view thereof;
FIG. 6 is a top plan view of thereof;
FIG. 7 is a front perspective view thereof in the retracted position;
FIG. 8 is a front perspective view thereof in a partially extended position; and,
FIG. 9 is a from perspective view thereof in the fully extended position.

1 Claim, 3 Drawing Sheets



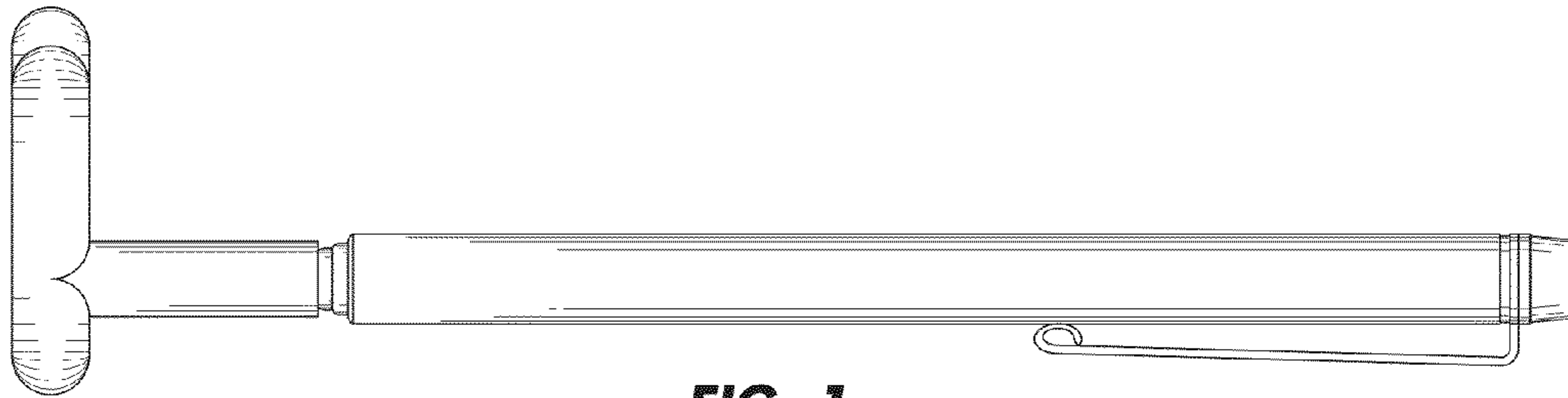


FIG. 1

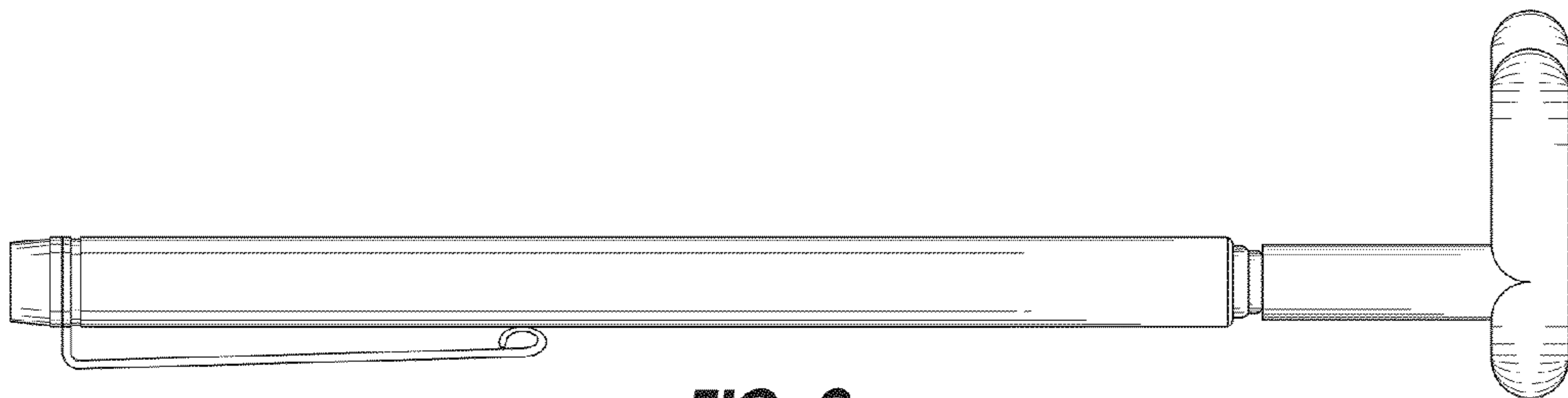


FIG. 2

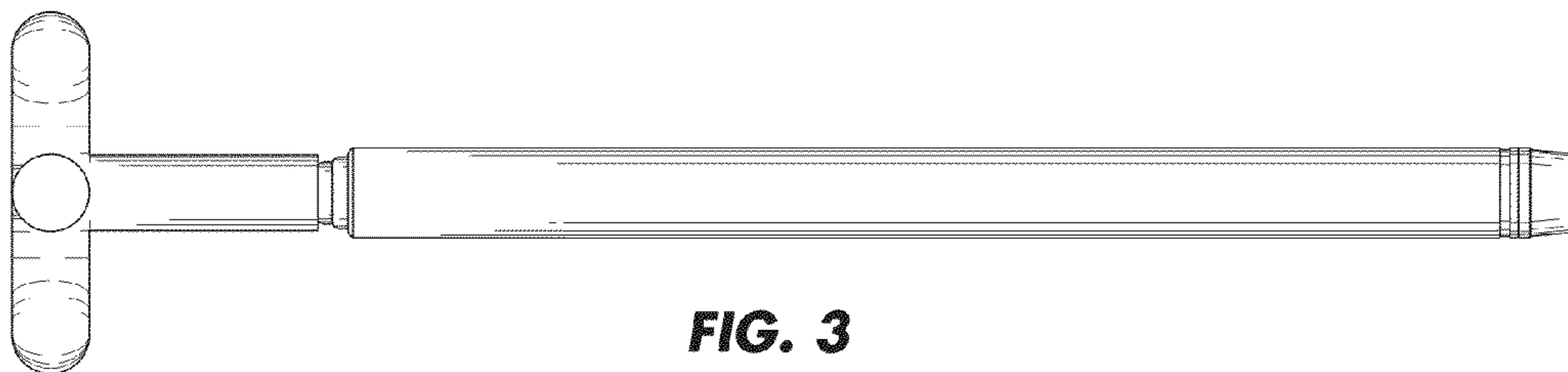


FIG. 3

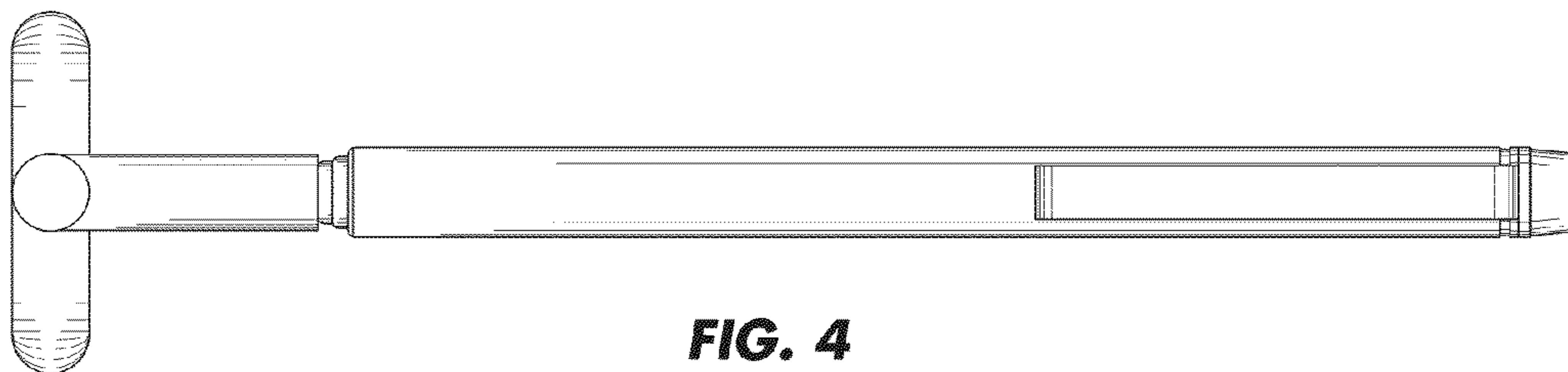


FIG. 4

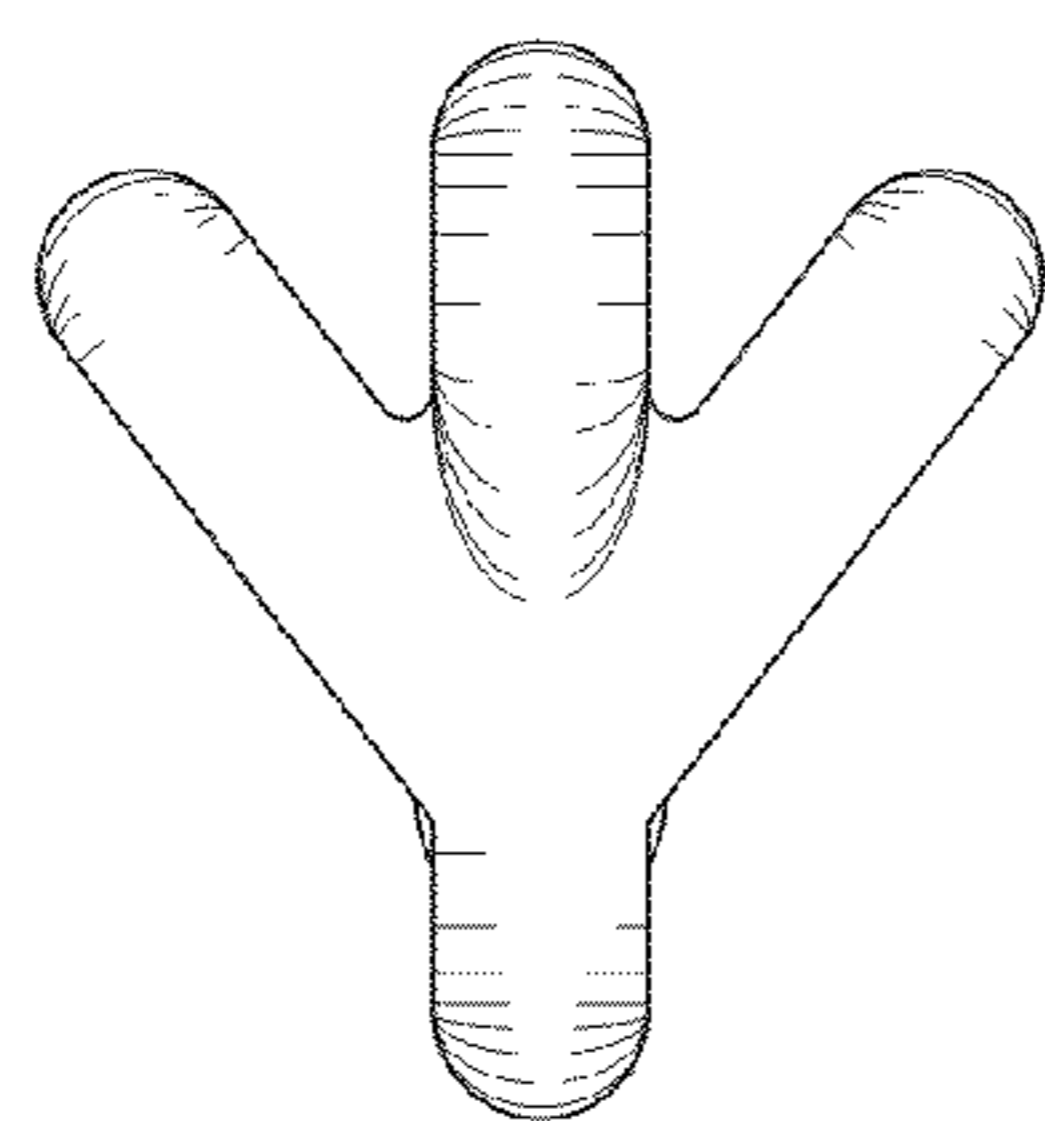


FIG. 5

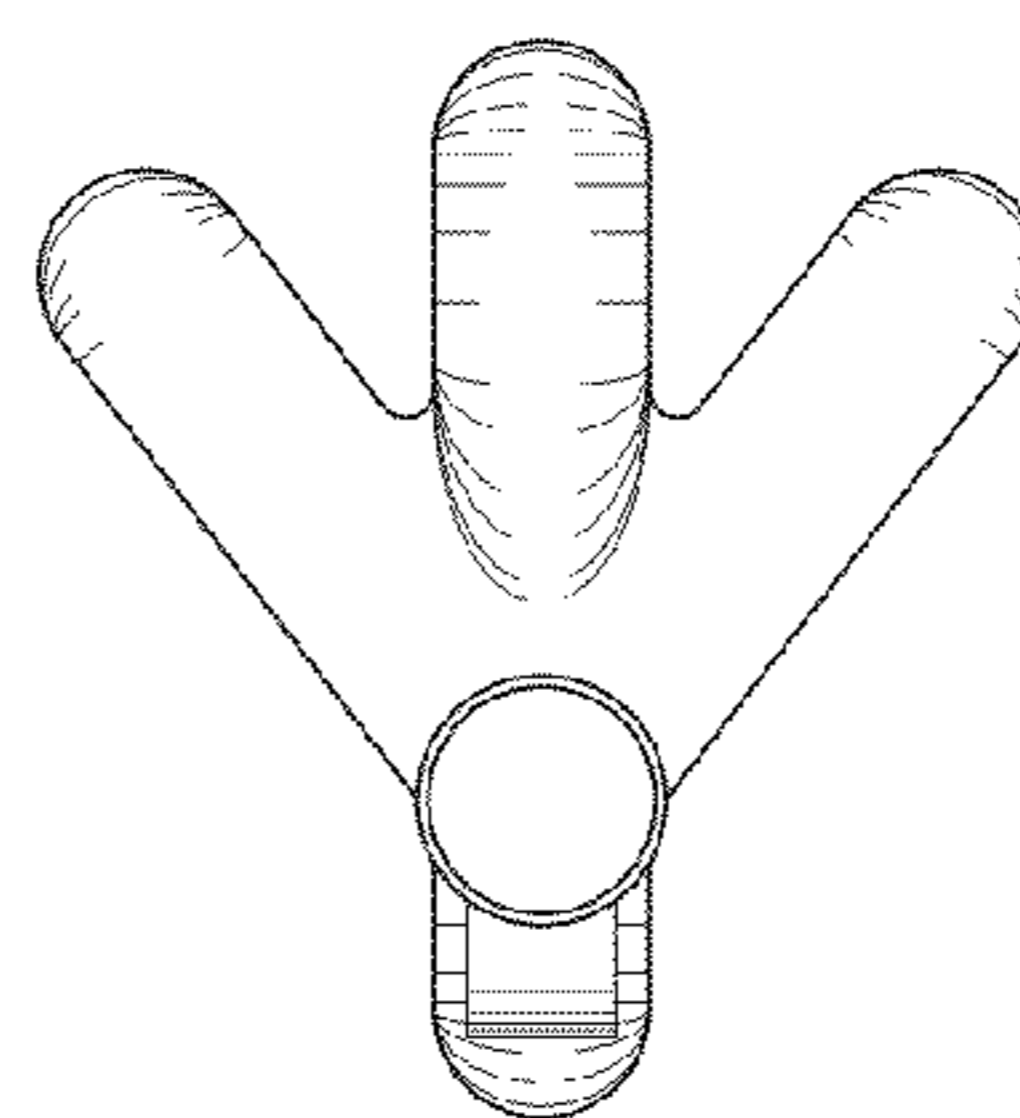


FIG. 6

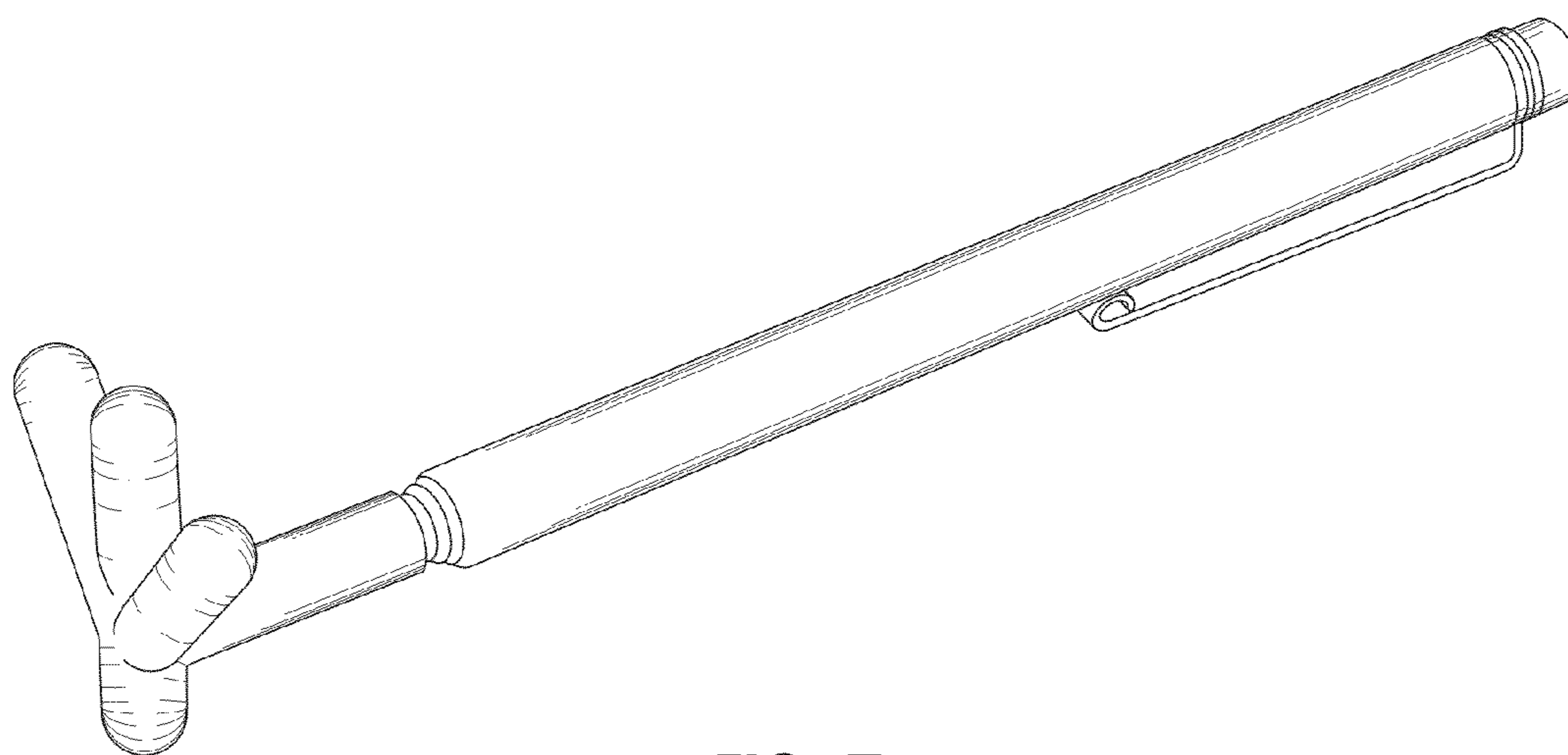


FIG. 7

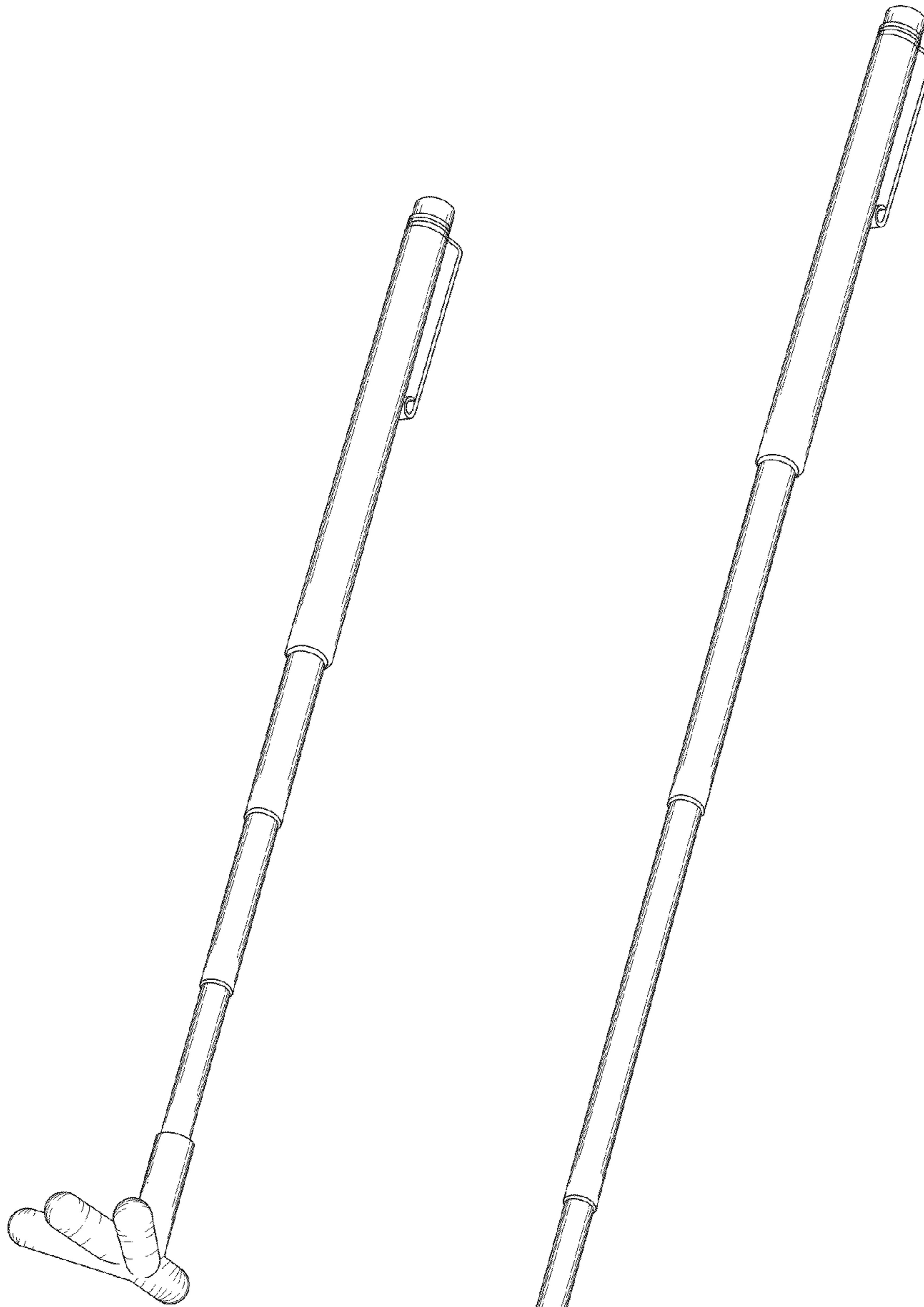


FIG. 8

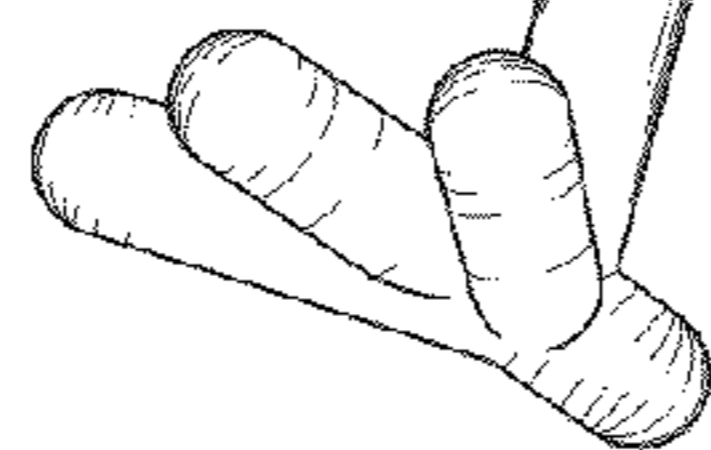


FIG. 9