



US00D730578S

(12) **United States Design Patent**  
**Long et al.**

(10) **Patent No.:** **US D730,578 S**

(45) **Date of Patent:** **\*\* May 26, 2015**

(54) **RAZOR CARTRIDGE**

(71) Applicant: **The Gillette Company**, Boston, MA  
(US)

(72) Inventors: **Matthew Michael Long**, Methuen, MA  
(US); **Christopher Ramm**, North  
Attleboro, MA (US); **Michael Hal  
Bruno**, Burlington, MA (US)

(73) Assignee: **The Gillette Company**, Boston, MA  
(US)

(\*\*) Term: **14 Years**

(21) Appl. No.: **29/465,288**

(22) Filed: **Aug. 26, 2013**

(51) **LOC (10) Cl.** ..... **28-03**

(52) **U.S. Cl.**  
USPC ..... **D28/47**

(58) **Field of Classification Search**  
CPC ..... B26B 21/00–21/12; B26B 21/14;  
B26B 21/16; B26B 21/18; B26B  
21/20–21/528; B26B 21/4062; B26B 21/4068;  
B26B 21/4075  
USPC ..... D28/44–48  
See application file for complete search history.

(56) **References Cited**

**U.S. PATENT DOCUMENTS**

D422,751	S	*	4/2000	Gray	.....	D28/47
6,243,951	B1	*	6/2001	Oldroyd	.....	30/34.2
D514,253	S	*	1/2006	Gray	.....	D28/47
7,197,825	B2		4/2007	Walker et al.		
D575,454	S	*	8/2008	Keene et al.	.....	D28/47

D604,904	S		11/2009	Watson		
D629,564	S	*	12/2010	Jung	.....	D28/47
D631,198	S	*	1/2011	Adams et al.	.....	D28/47
D633,253	S	*	2/2011	Wonderley et al.	.....	D28/47
D643,977	S	*	8/2011	Wonderley et al.	.....	D28/47
D648,075	S	*	11/2011	Wonderley et al.	.....	D28/47
D661,020	S	*	5/2012	Wain et al.	.....	D28/46
2008/0172878	A1	*	7/2008	Luxton	.....	30/34.1
2010/0122464	A1	*	5/2010	Ndou et al.	.....	30/41
2011/0203113	A1	*	8/2011	Wang	.....	30/41
2012/0159787	A1	*	6/2012	Luxton	.....	30/50
2012/0279070	A1	*	11/2012	Seo	.....	30/34.2

\* cited by examiner

*Primary Examiner* — Jennifer Rivard

(74) *Attorney, Agent, or Firm* — Joanne N. Pappas; Kevin C. Johnson; Steven W. Miller

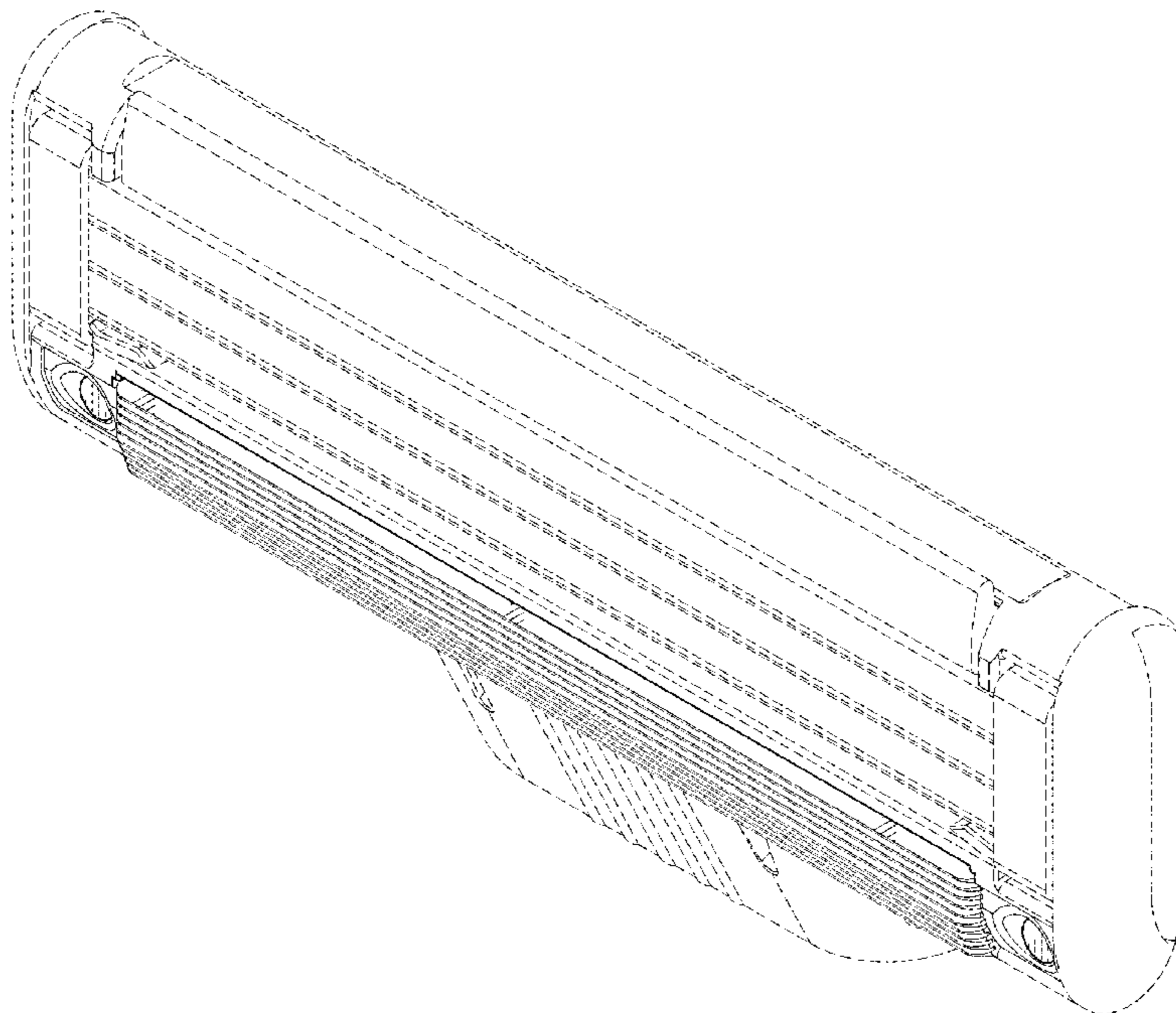
(57) **CLAIM**

The ornamental design for a razor cartridge, as shown and described.

**DESCRIPTION**

FIG. 1 is a perspective view of a design of a guard element for a razor cartridge of the present invention;  
FIG. 2 is a front view thereof;  
FIG. 3 is a back view thereof;  
FIG. 4 is a top view thereof;  
FIG. 5 is a bottom view thereof;  
FIG. 6 is a left side view thereof;  
FIG. 7 is a right side view thereof; and,  
FIG. 8 is another perspective view thereof.  
The dash broken lines are directed to the environment and are for illustrative purposes only and form no part of the claimed design.

**1 Claim, 6 Drawing Sheets**



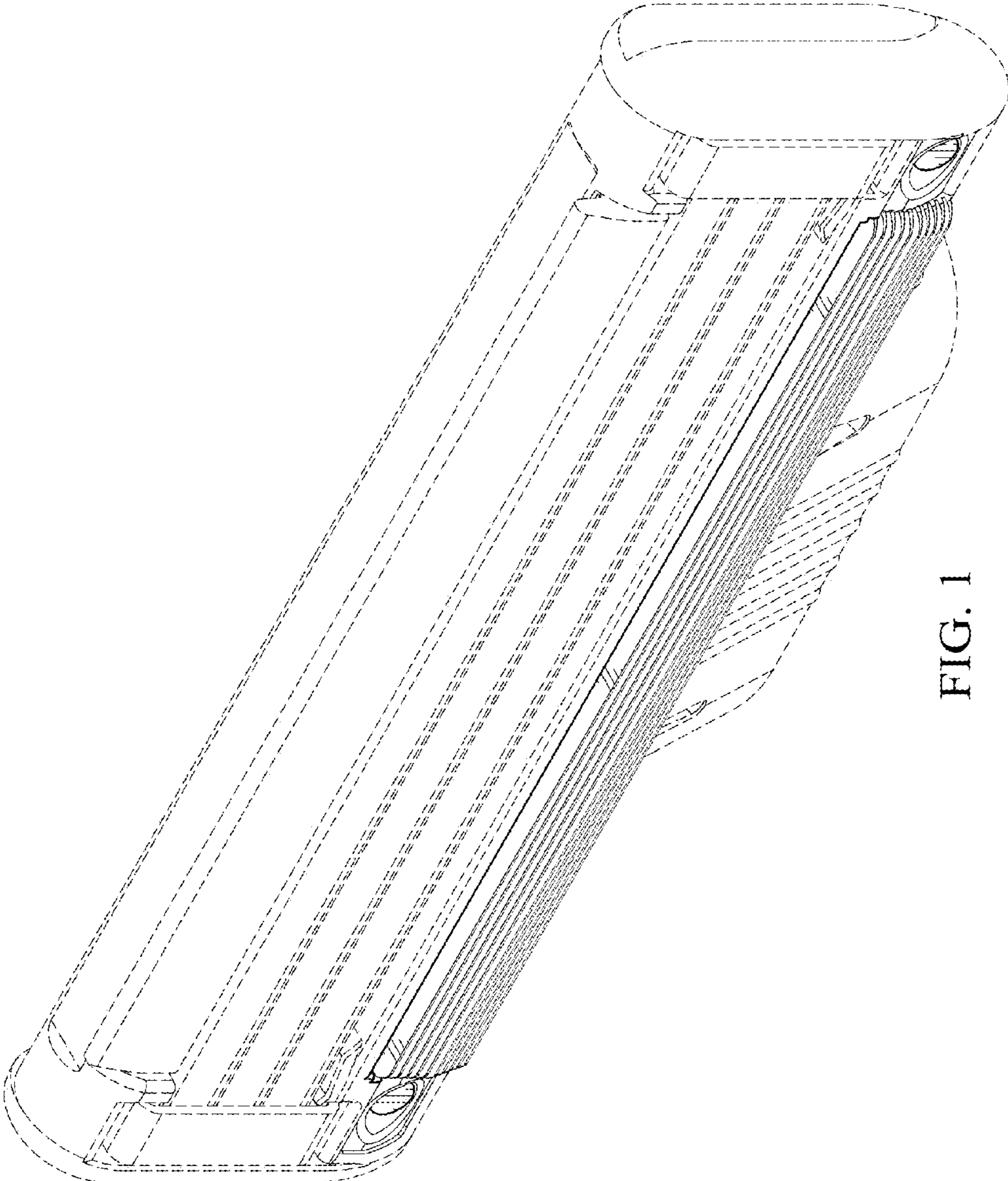


FIG. 1



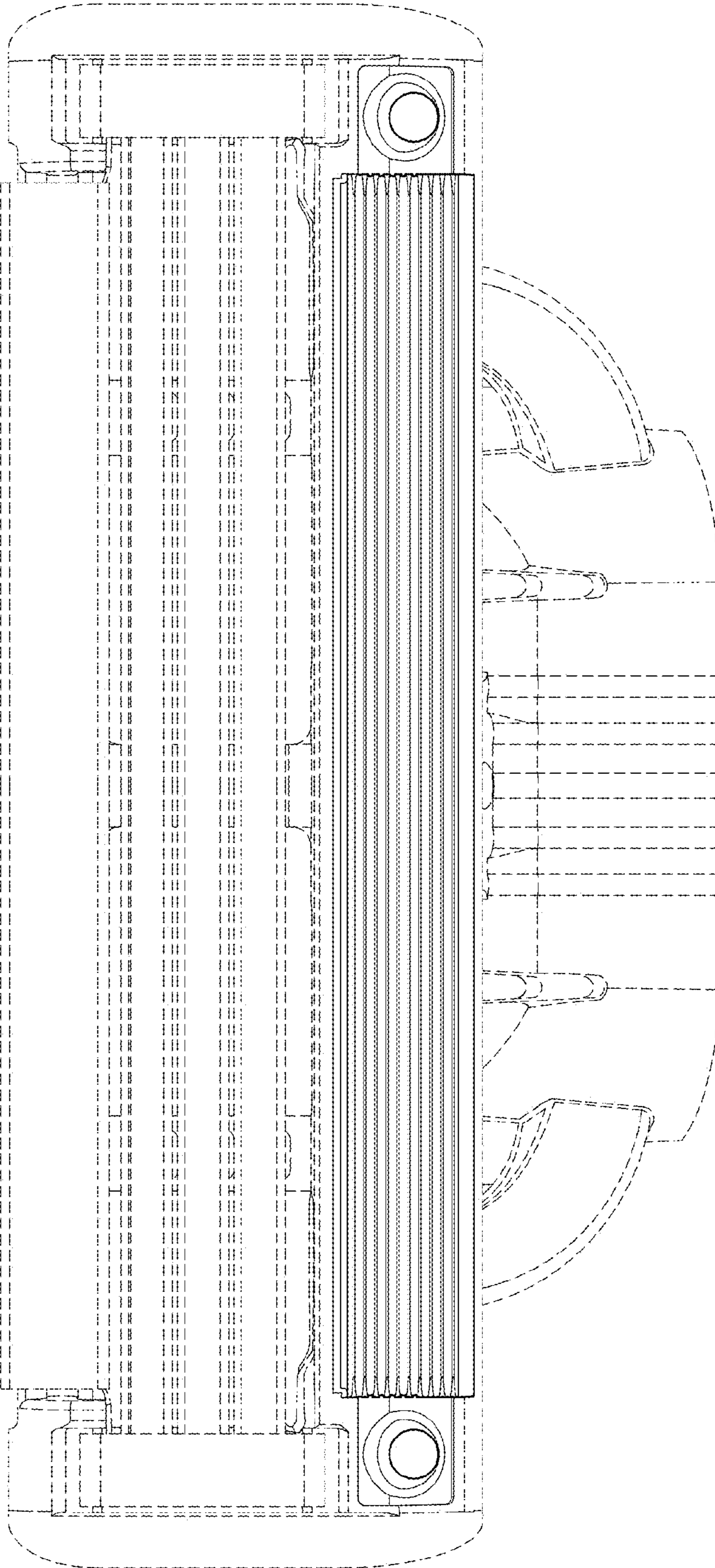


FIG. 2

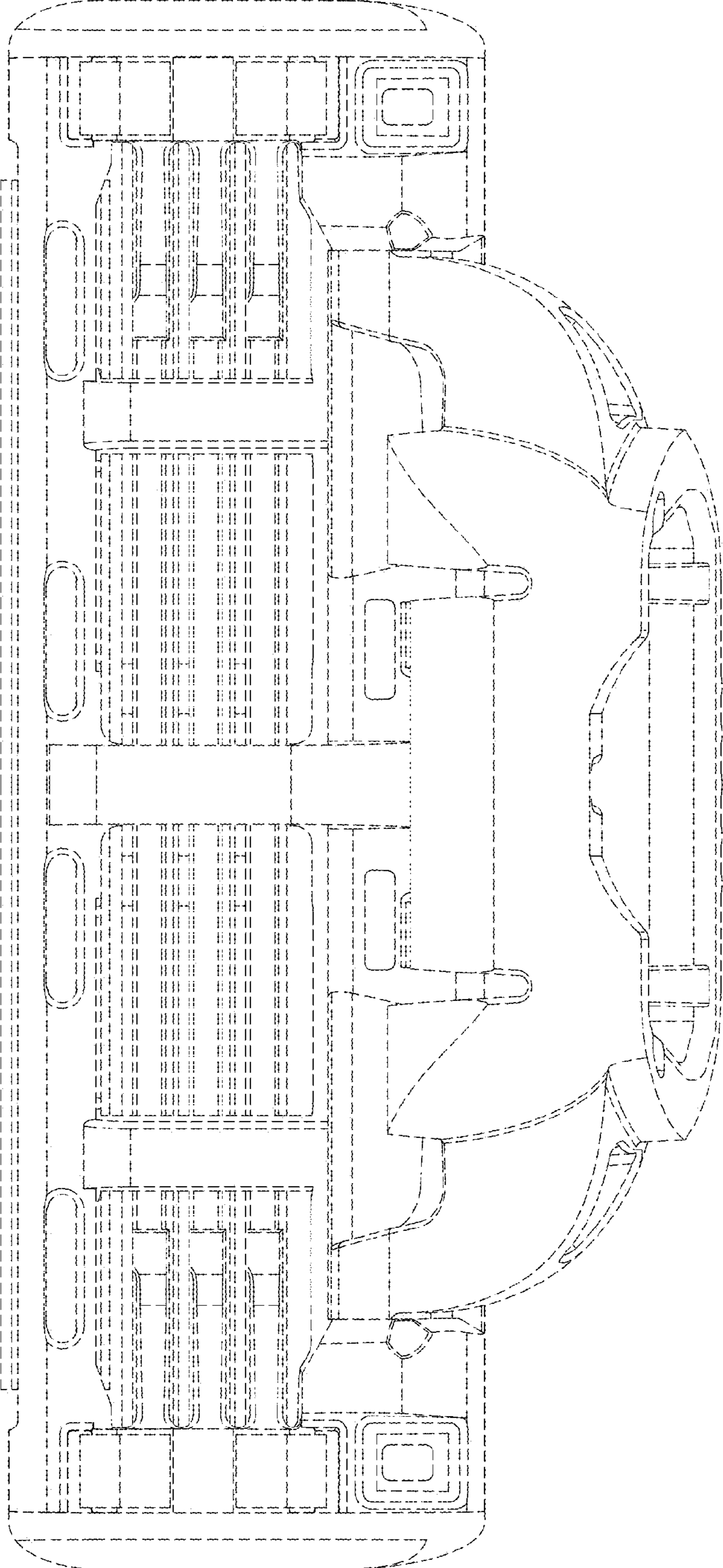


FIG. 3

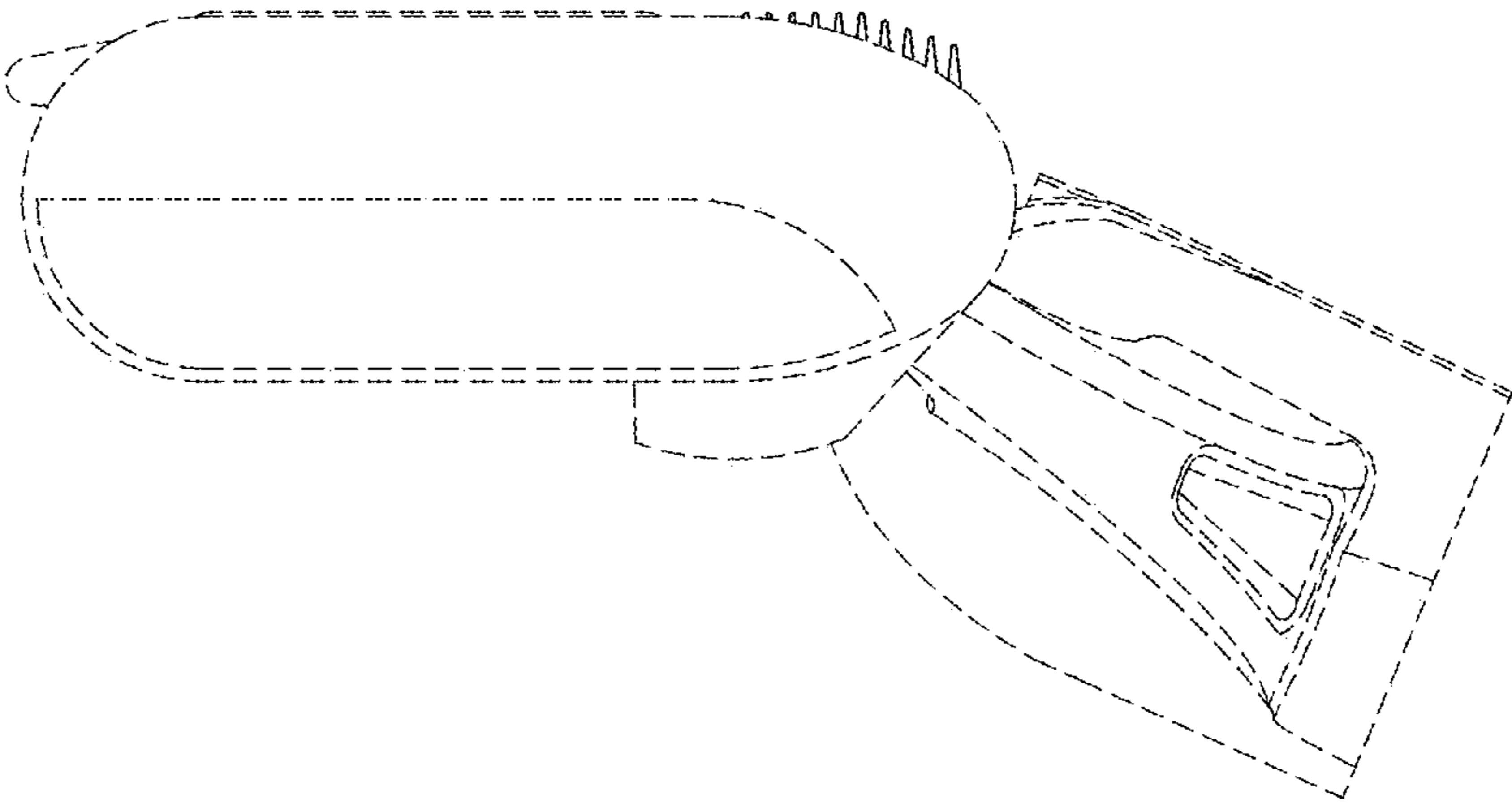


FIG. 5

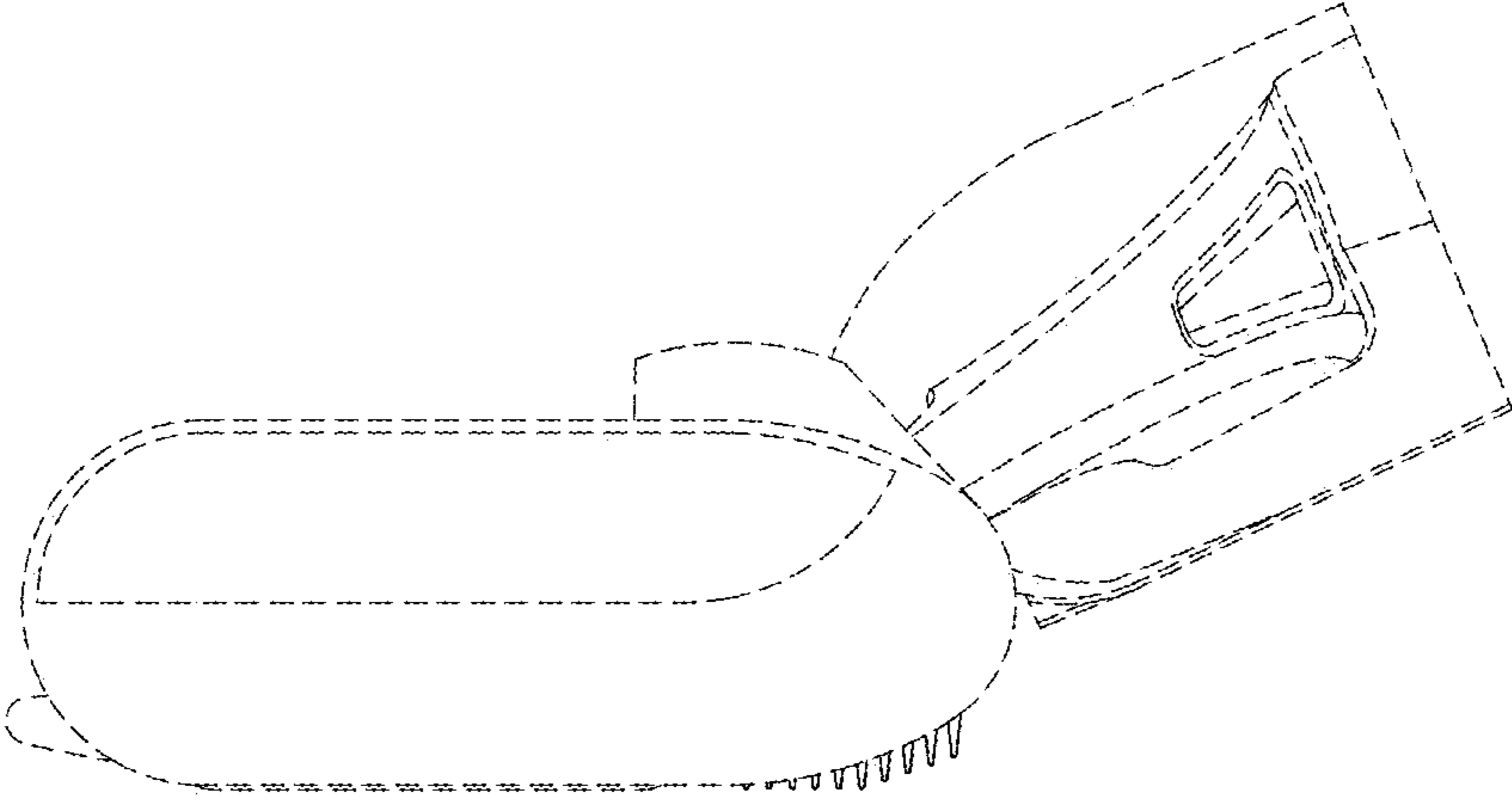


FIG. 4

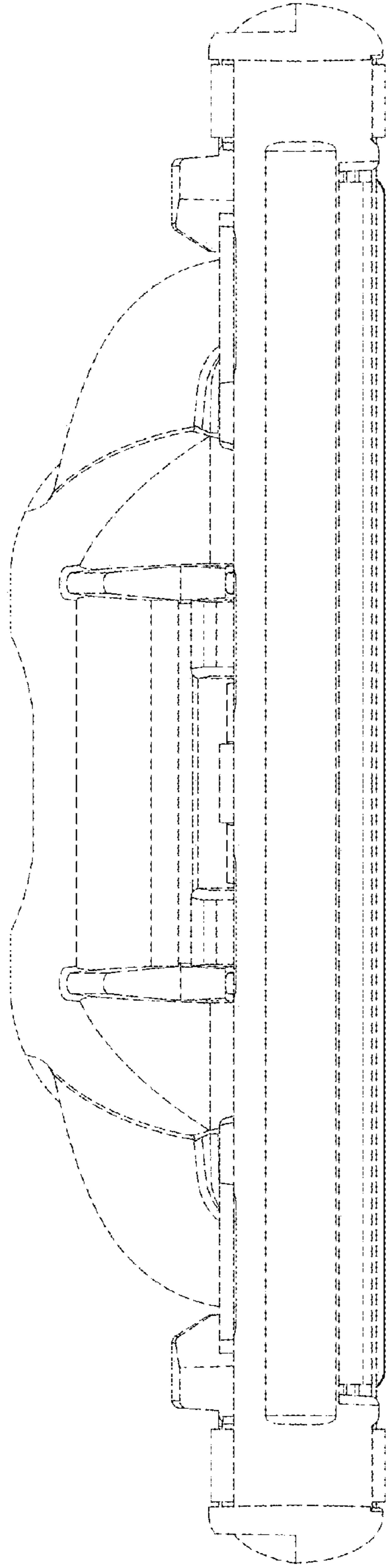


FIG. 6

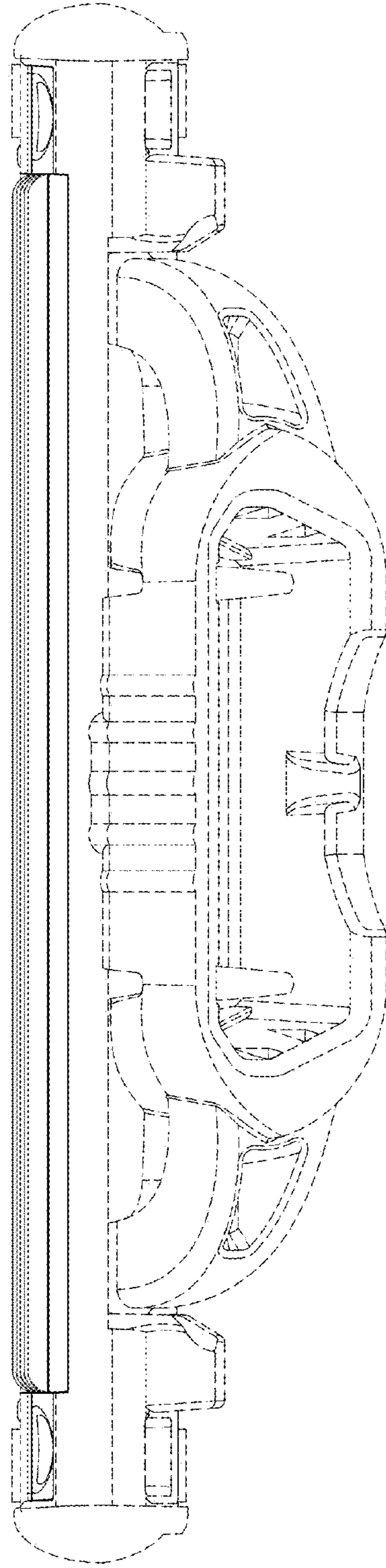


FIG. 7



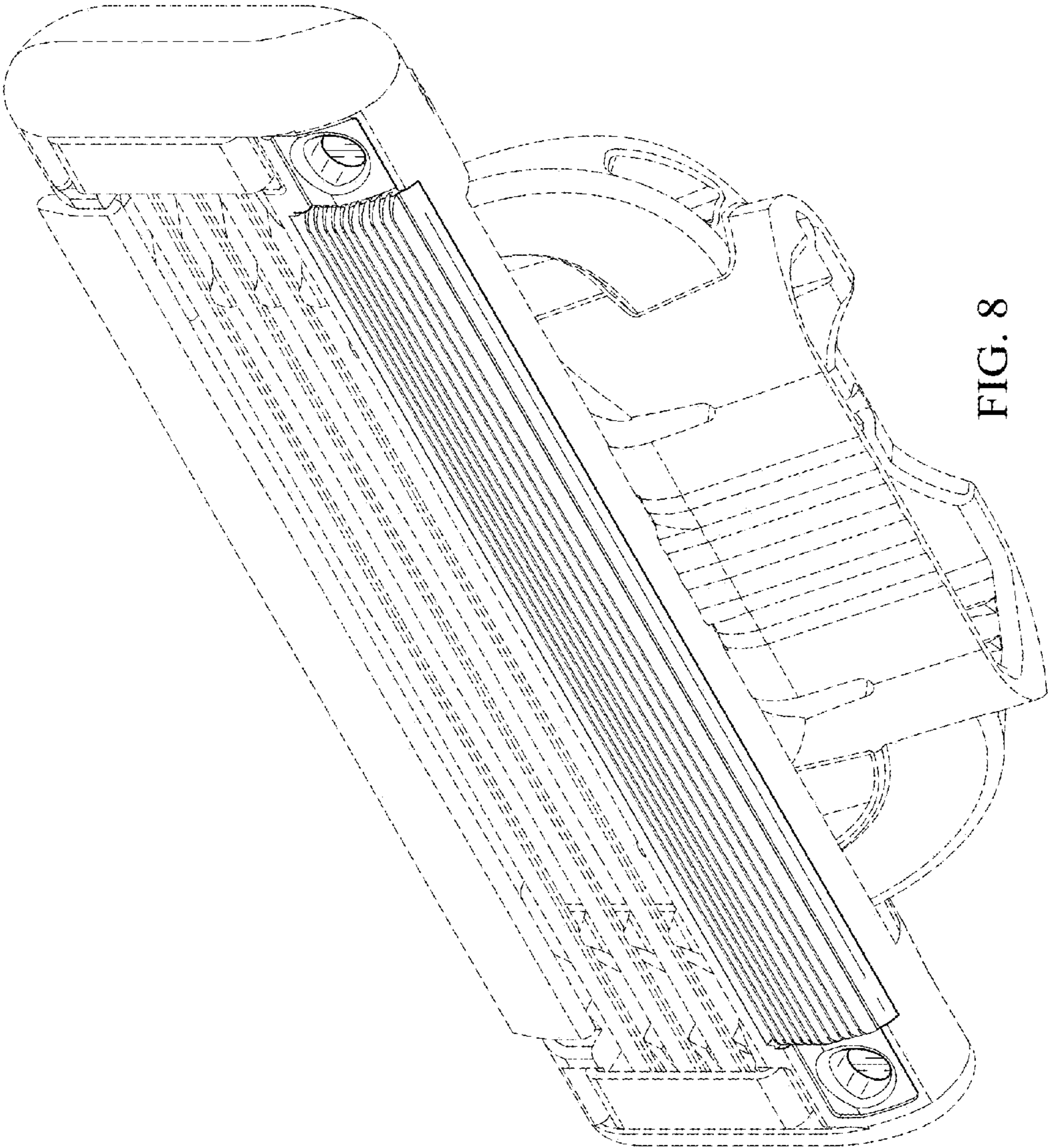


FIG. 8