



US00D730573S

(12) **United States Design Patent**
Shields, Sr.

(10) **Patent No.:** **US D730,573 S**

(45) **Date of Patent:** **** May 26, 2015**

- (54) **TOBACCO PRODUCT HOLDER**
- (71) Applicant: **John R. Shields, Sr.**, Clermont, FL (US)
- (72) Inventor: **John R. Shields, Sr.**, Clermont, FL (US)
- (**) Term: **14 Years**
- (21) Appl. No.: **29/467,724**
- (22) Filed: **Sep. 23, 2013**
- (51) **LOC (10) Cl.** **27-06**
- (52) **U.S. Cl.**
USPC **D27/183**
- (58) **Field of Classification Search**
CPC A24F 13/22; D06F 53/005
USPC D27/161, 167, 172, 183, 192, 194;
D11/215; D3/207, 208, 211; D8/18,
D8/33, 34, 38, 40, 72, 105, 394; 24/3.11,
24/3.12; D32/61-65; 131/257, 258, 190
See application file for complete search history.

4,840,341 A	6/1989	Hasegawa	
5,788,197 A *	8/1998	Tutela	248/156
D400,298 S	10/1998	Vignerot	
D408,097 S	4/1999	Heydt	
6,363,941 B1	4/2002	Combs	
D467,685 S	12/2002	Nista et al.	
7,387,127 B1 *	6/2008	Braun	131/257
D626,285 S *	10/2010	Adame	D27/183
D648,892 S	11/2011	Cordova	
D663,476 S *	7/2012	Kelly	D27/183
8,272,612 B2	9/2012	Thorpe	
8,905,039 B2 *	12/2014	Miller	131/187
2001/0048012 A1 *	12/2001	Ferrari	224/547
2012/0266901 A1	10/2012	Powell et al.	
2014/0060551 A1 *	3/2014	Zilka	131/260

* cited by examiner

Primary Examiner — Susan Bennett Hattan
Assistant Examiner — Janice Hallmark
 (74) *Attorney, Agent, or Firm* — Larson & Larson, P.A.;
 Frank Liebenow; Patrick Reid

(57) **CLAIM**
 I claim the ornamental design for a tobacco product holder, as
 shown and described.

(56) **References Cited**

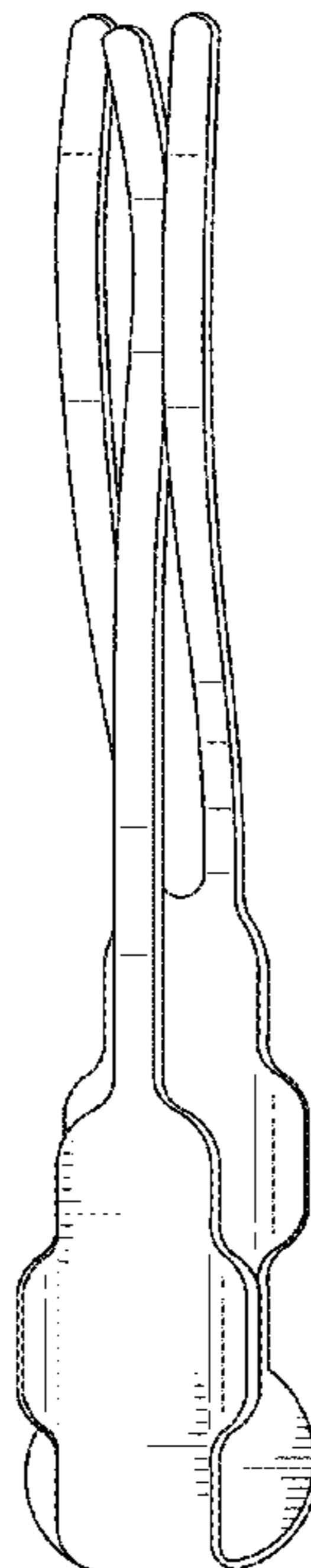
U.S. PATENT DOCUMENTS

D11,877 S *	7/1880	Kurczyn	D27/183
232,453 A *	9/1880	Carrington	131/258
282,183 A *	7/1883	Fletcher	131/257
1,710,020 A *	4/1929	Gifford	24/40
2,042,891 A *	6/1936	Gailey	131/258
2,149,215 A *	2/1939	Fuscaldo et al.	132/257
D145,377 S *	8/1946	Broadwell	D32/61
2,736,322 A *	2/1956	Ford	131/256
3,017,890 A *	1/1962	Nelson	131/259
3,375,833 A *	4/1968	Garcia	131/258
3,756,252 A *	9/1973	Vigorito	131/256
D257,518 S	11/1980	Herman	

DESCRIPTION

FIG. 1 is a front perspective view of the tobacco product holder showing my new design;
 FIG. 2 is a front elevation view thereof;
 FIG. 3 is a rear elevation view thereof;
 FIG. 4 is a left side elevation view thereof;
 FIG. 5 is a right side elevation view thereof;
 FIG. 6 is a top plan view thereof; and,
 FIG. 7 is a bottom plan view thereof.

1 Claim, 4 Drawing Sheets



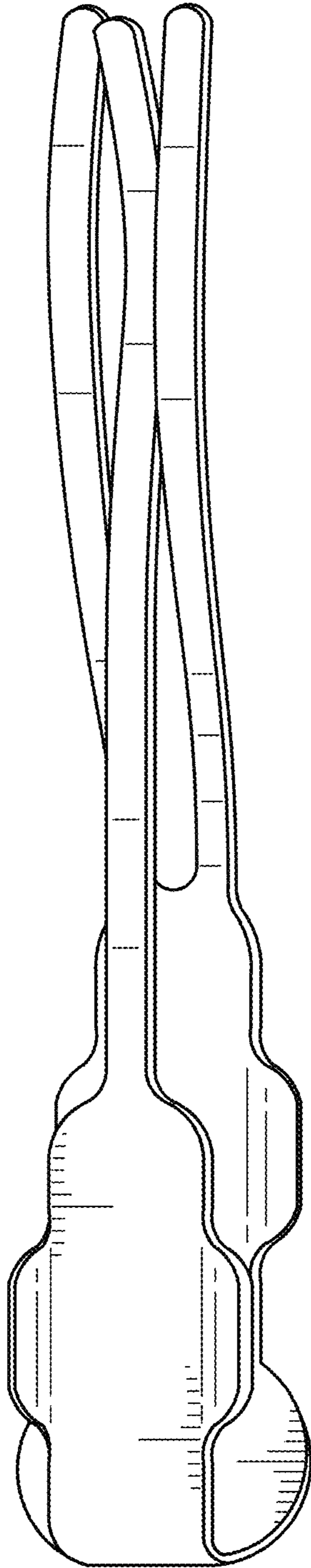


FIG. 1

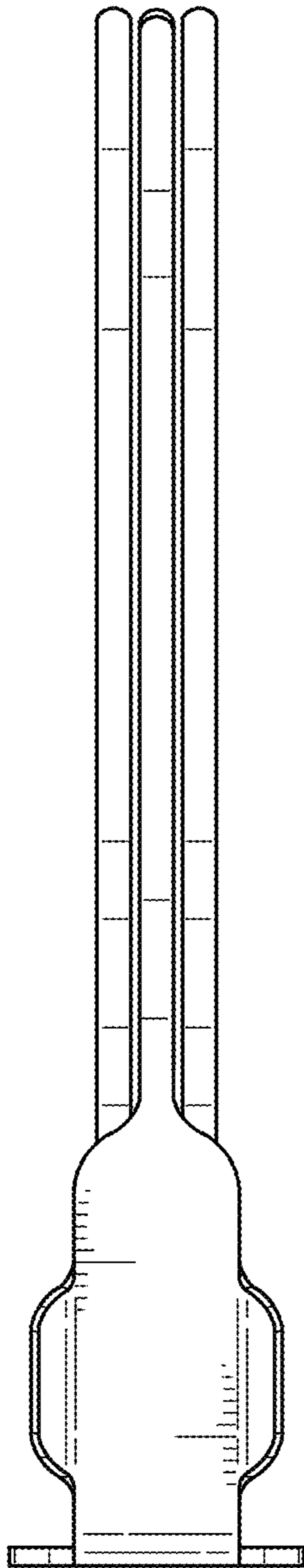


FIG. 2

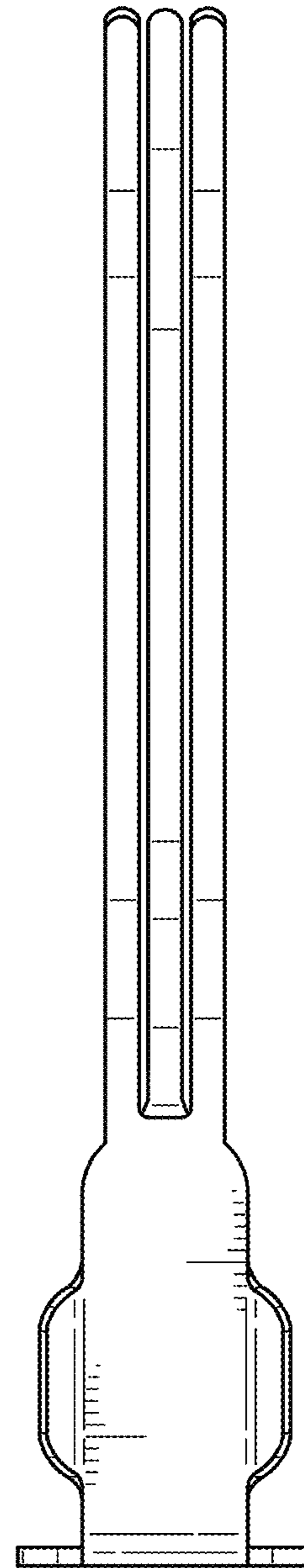


FIG. 3

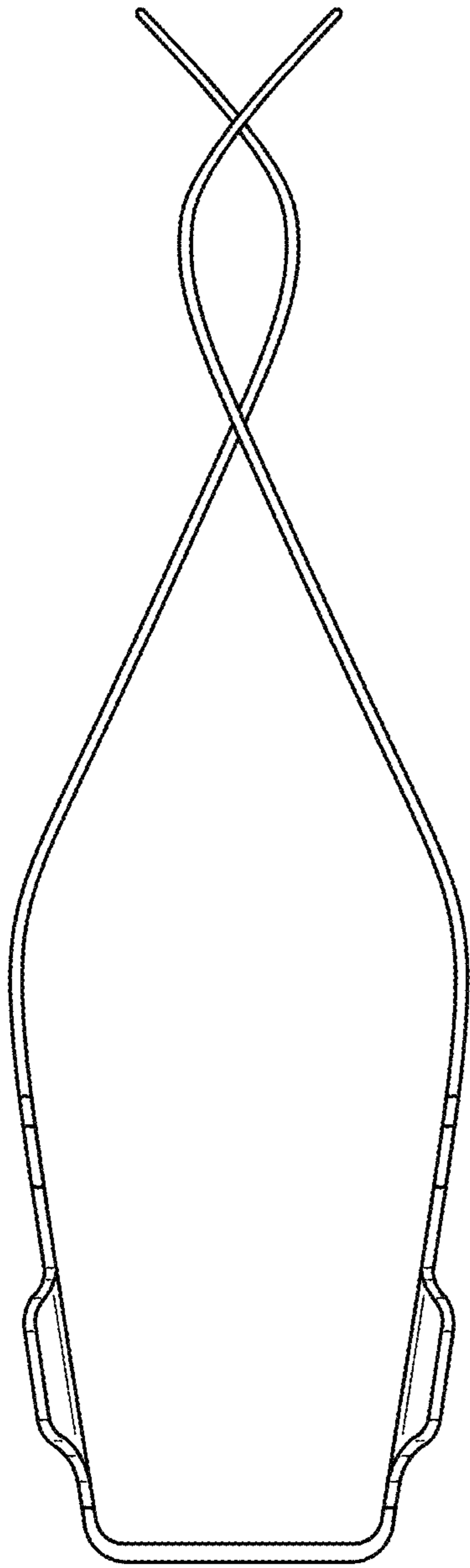


FIG. 4

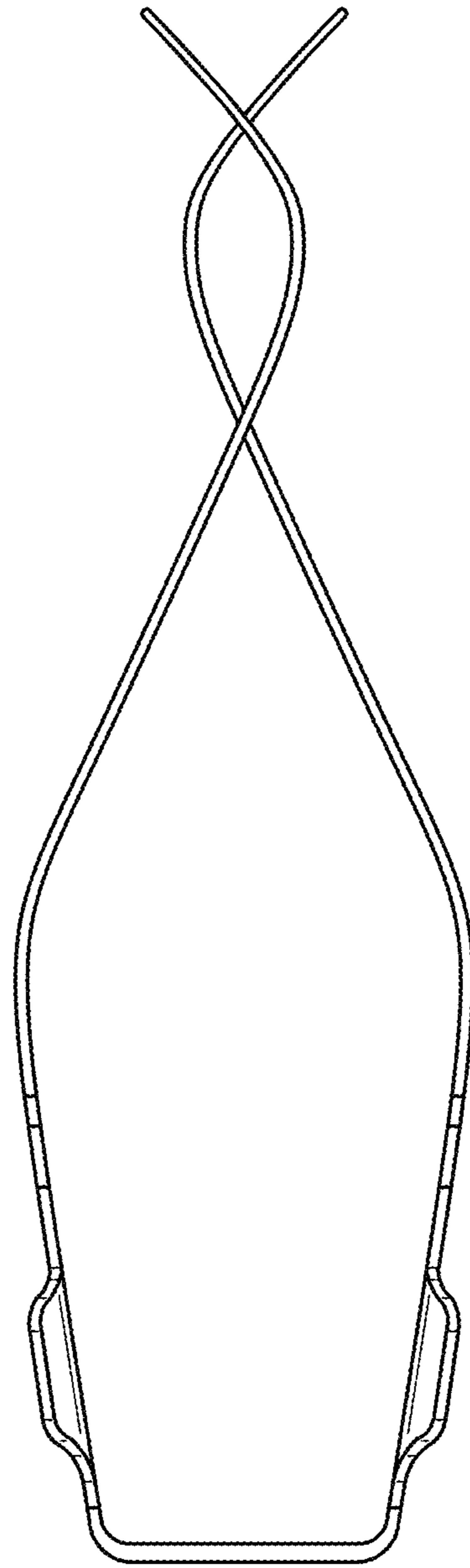


FIG. 5

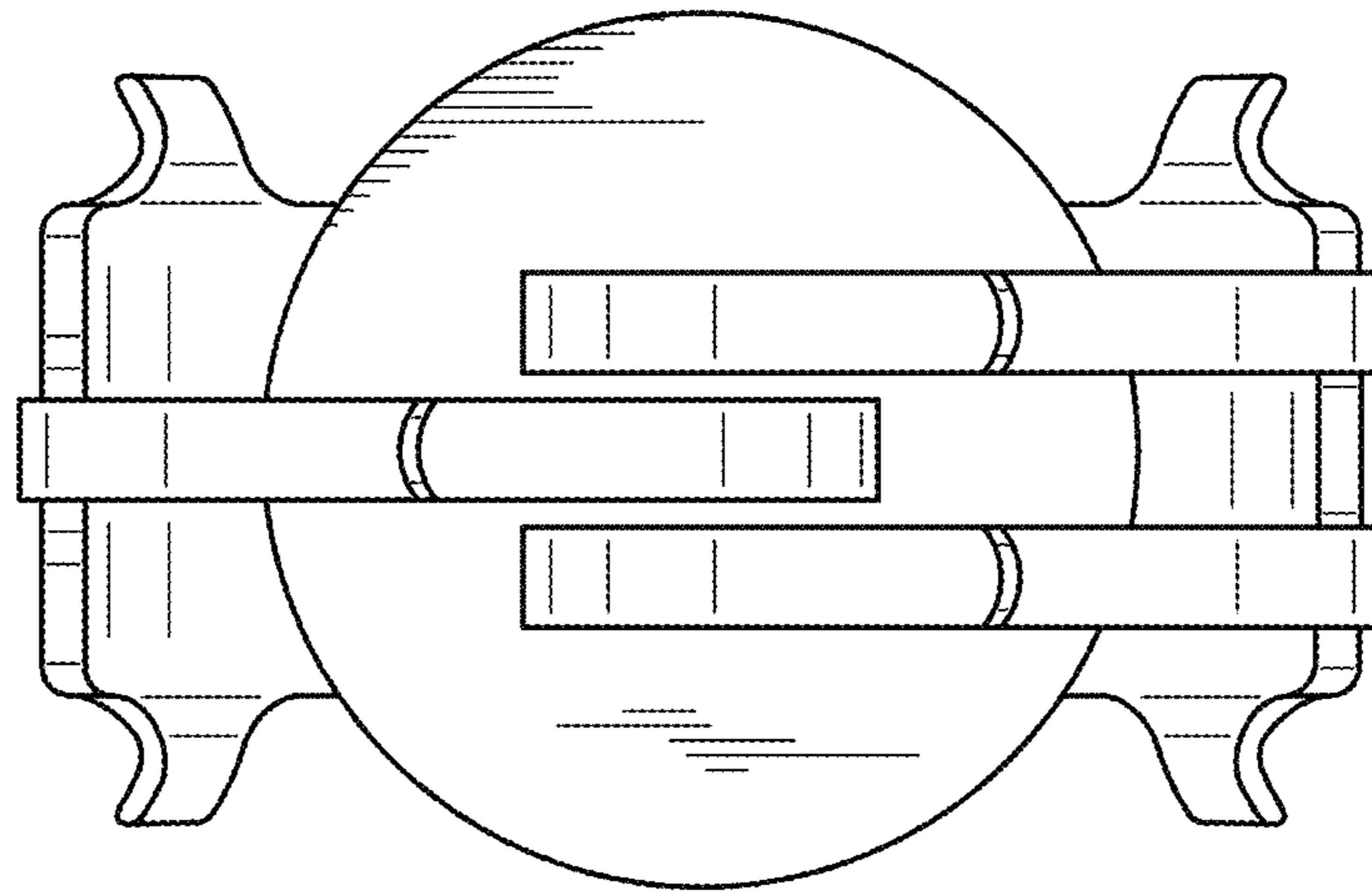


FIG. 6

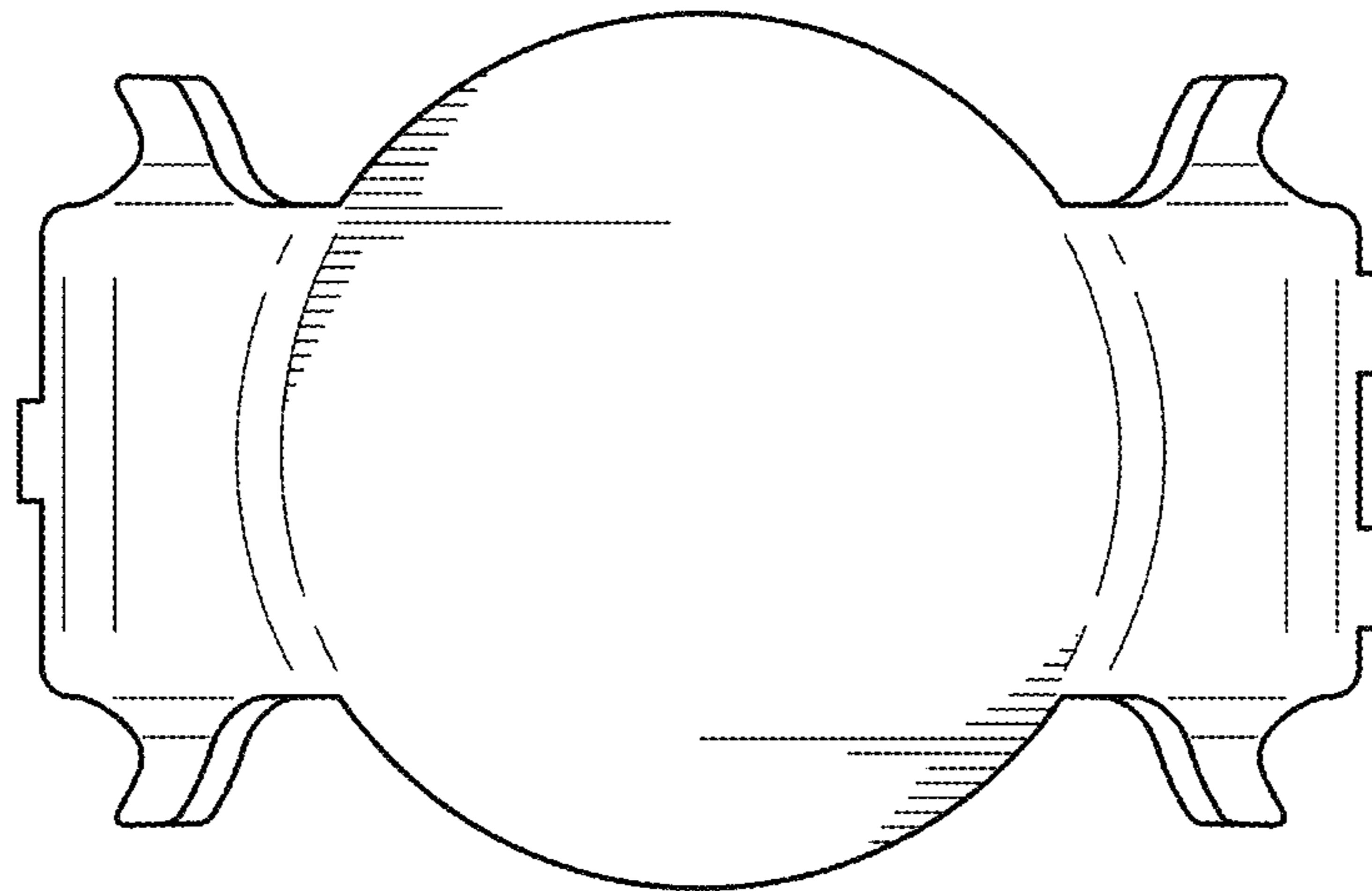


FIG. 7