



US00D730569S

(12) **United States Design Patent**
Bryant

(10) **Patent No.:** **US D730,569 S**
(45) **Date of Patent:** **** May 26, 2015**

(54) **WALL PACK LIGHT FIXTURE WITH LENS**

(71) Applicant: **Cooper Technologies Company,**
Houston, TX (US)

(72) Inventor: **Christopher Michael Bryant,** Social
Circle, GA (US)

(73) Assignee: **Cooper Technologies Company,**
Houston, TX (US)

(**) Term: **14 Years**

(21) Appl. No.: **29/501,819**

(22) Filed: **Sep. 9, 2014**

Related U.S. Application Data

(63) Continuation of application No. 29/481,305, filed on
Feb. 4, 2014, now Pat. No. Des. 714,992, which is a
continuation of application No. 29/436,961, filed on
Nov. 12, 2012, now Pat. No. Des. 698,978.

(51) **LOC (10) Cl.** **26-99**

(52) **U.S. Cl.**
USPC **D26/118; D26/120**

(58) **Field of Classification Search**
USPC D26/72, 85-87, 92, 118, 120; 362/147,
362/432

See application file for complete search history.

(56) **References Cited**

U.S. PATENT DOCUMENTS

3,047,716	A	7/1962	Hoxie et al.
3,263,071	A	7/1966	Fabbri
D228,667	S	10/1973	Anderson, Jr.
D248,184	S	6/1978	Roberts
D285,258	S	8/1986	Hamasaki
D287,646	S	1/1987	Ayukawa
D289,087	S	3/1987	Kobata
D380,853	S	7/1997	Johnson
D415,305	S	10/1999	Putman

D465,050	S	10/2002	Crelin
D527,134	S	8/2006	Bagen
D544,991	S	6/2007	Guercio
D562,491	S	2/2008	Dicola
D574,995	S	8/2008	Boyer
D579,141	S	10/2008	Guercio
D590,088	S	4/2009	Dworschak
D590,983	S	4/2009	Sabernig
D595,447	S	6/2009	Purcell
D608,040	S	1/2010	Guercio
D609,387	S	2/2010	Compton
D610,296	S	2/2010	Boissevain
D612,975	S	3/2010	Guercio et al.
D617,491	S	6/2010	Dordoni
D626,271	S	10/2010	Verelst

(Continued)

OTHER PUBLICATIONS

Lighting Science; Wallpack; product specification sheet; Nov. 2010.
(2 pages).

(Continued)

Primary Examiner — Clare E Heflin

(74) *Attorney, Agent, or Firm* — King & Spalding LLP

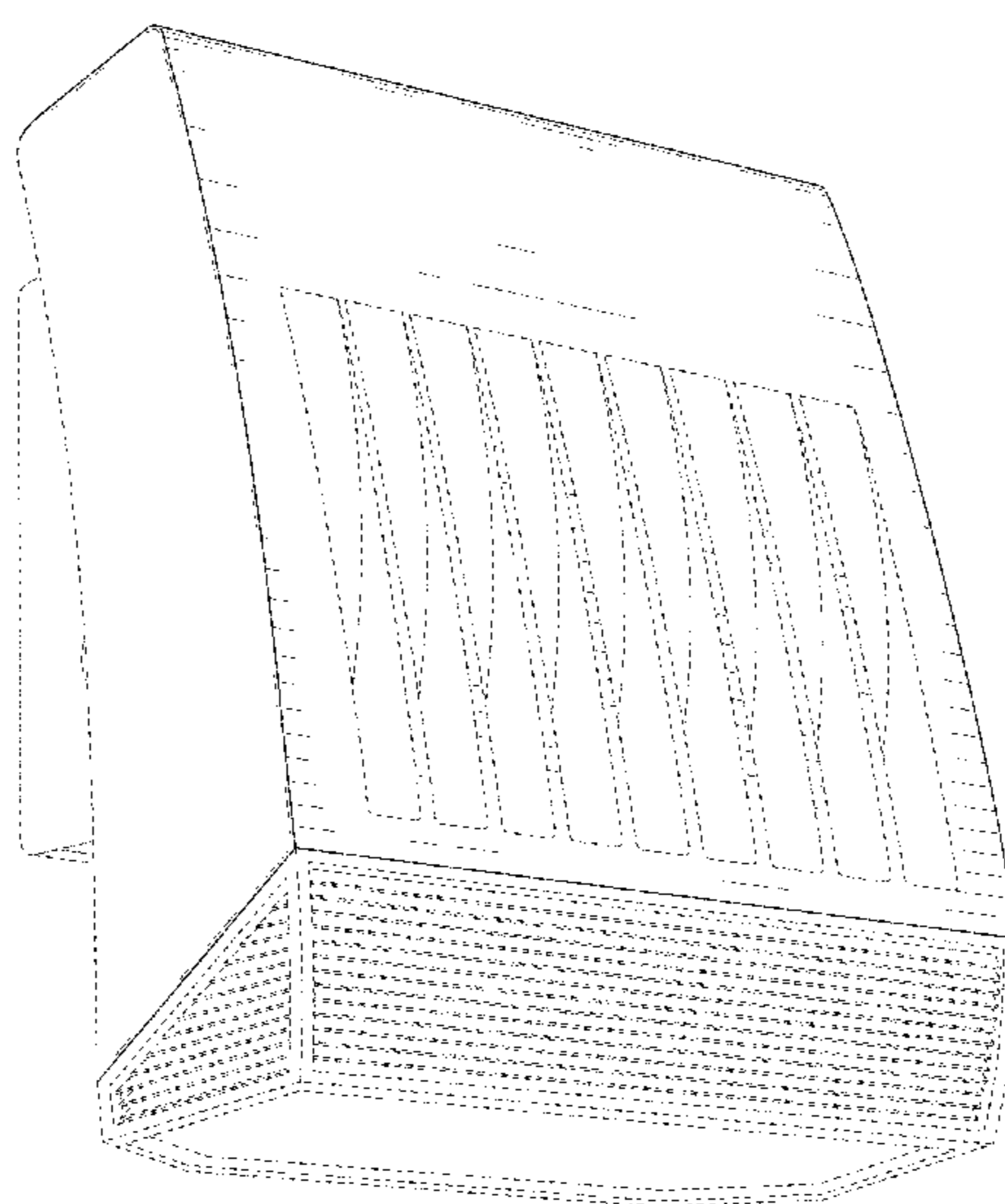
(57) **CLAIM**

The ornamental design for a wall pack light fixture with lens,
as shown and described.

DESCRIPTION

FIG. 1 is a perspective view of a wall pack light fixture with
lens, showing my new design;
FIG. 2 is a front plan view thereof;
FIG. 3 is a left side view thereof;
FIG. 4 is a right side view thereof;
FIG. 5 is a top plan view thereof;
FIG. 6 is a bottom plan view thereof; and,
FIG. 7 is a rear perspective view thereof.
The broken lines shown represent unclaimed subject matter
and form no part of the claimed design.

1 Claim, 6 Drawing Sheets



(56)

References Cited

U.S. PATENT DOCUMENTS

D634,873 S 3/2011 Guercio
D634,878 S 3/2011 Guercio et al.
D644,370 S 8/2011 Lickiss
D647,662 S 10/2011 Vereist et al.
D650,112 S 12/2011 Bryant
D678,596 S 3/2013 Bryant
D691,320 S * 10/2013 Guercio et al. D26/85
D695,445 S * 12/2013 Panchisin et al. D26/118
D698,986 S 2/2014 Reynolds
D699,386 S * 2/2014 Park et al. D26/118

D699,887 S * 2/2014 Chen D26/118
D707,385 S * 6/2014 Wardenburg et al. D26/118
D714,992 S * 10/2014 Bryant D26/118

OTHER PUBLICATIONS

Press Release, RAB Lighting, Oct. 12, 2010, RAB LPACK13 Makes the Switch to LED Even Easier. (2 pages).
Press Release, RAB Lighting, Feb. 9, 2010, RAB Lighting Launches 20W LED Wallpack for out-door use. (1 page).
Press Release, RAB Lighting, Dec. 23, 2009, RAB Lighting Introduces new LED Wallpack. (2 pages).

* cited by examiner

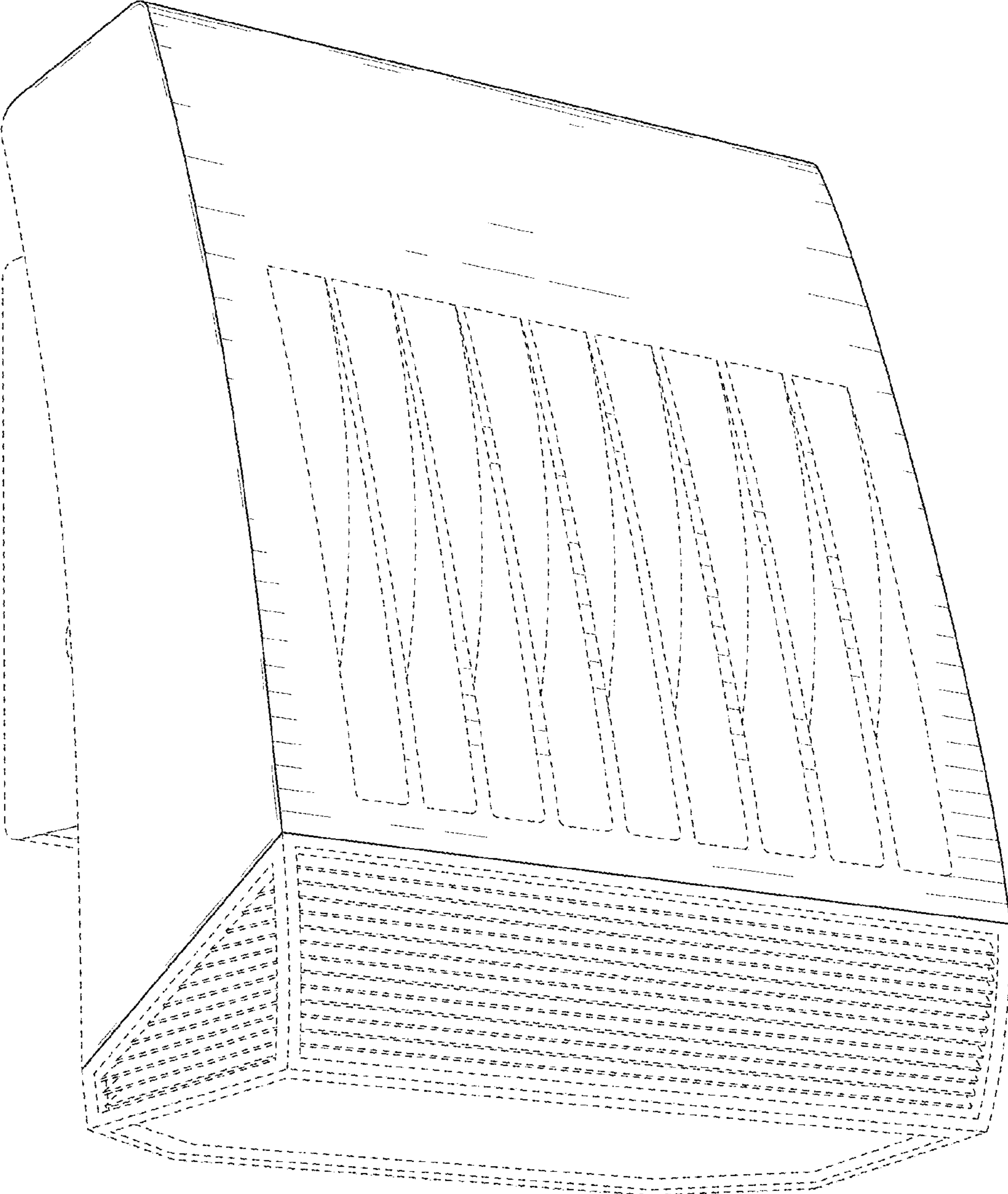


FIG. 1

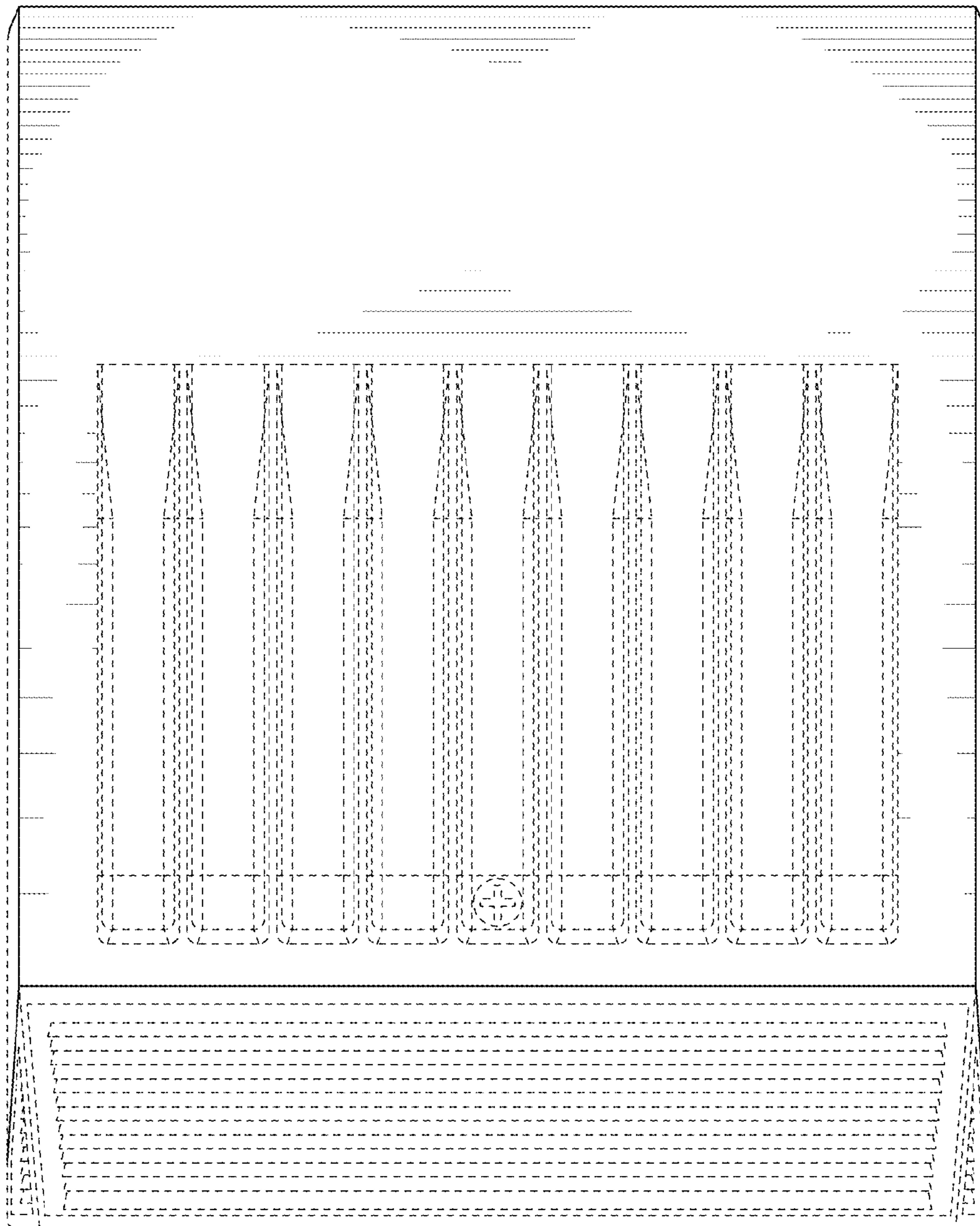


FIG. 2

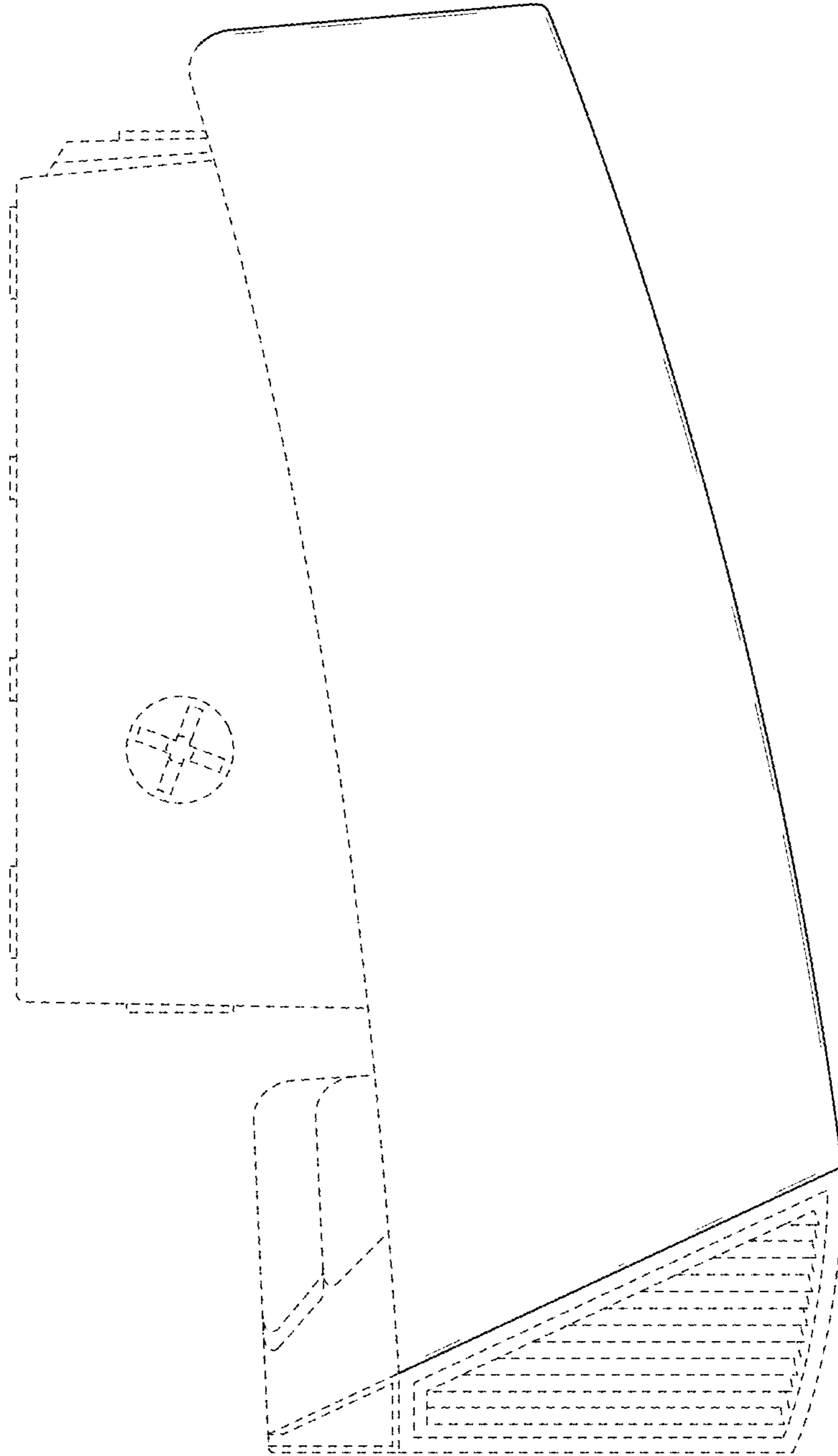


FIG. 3

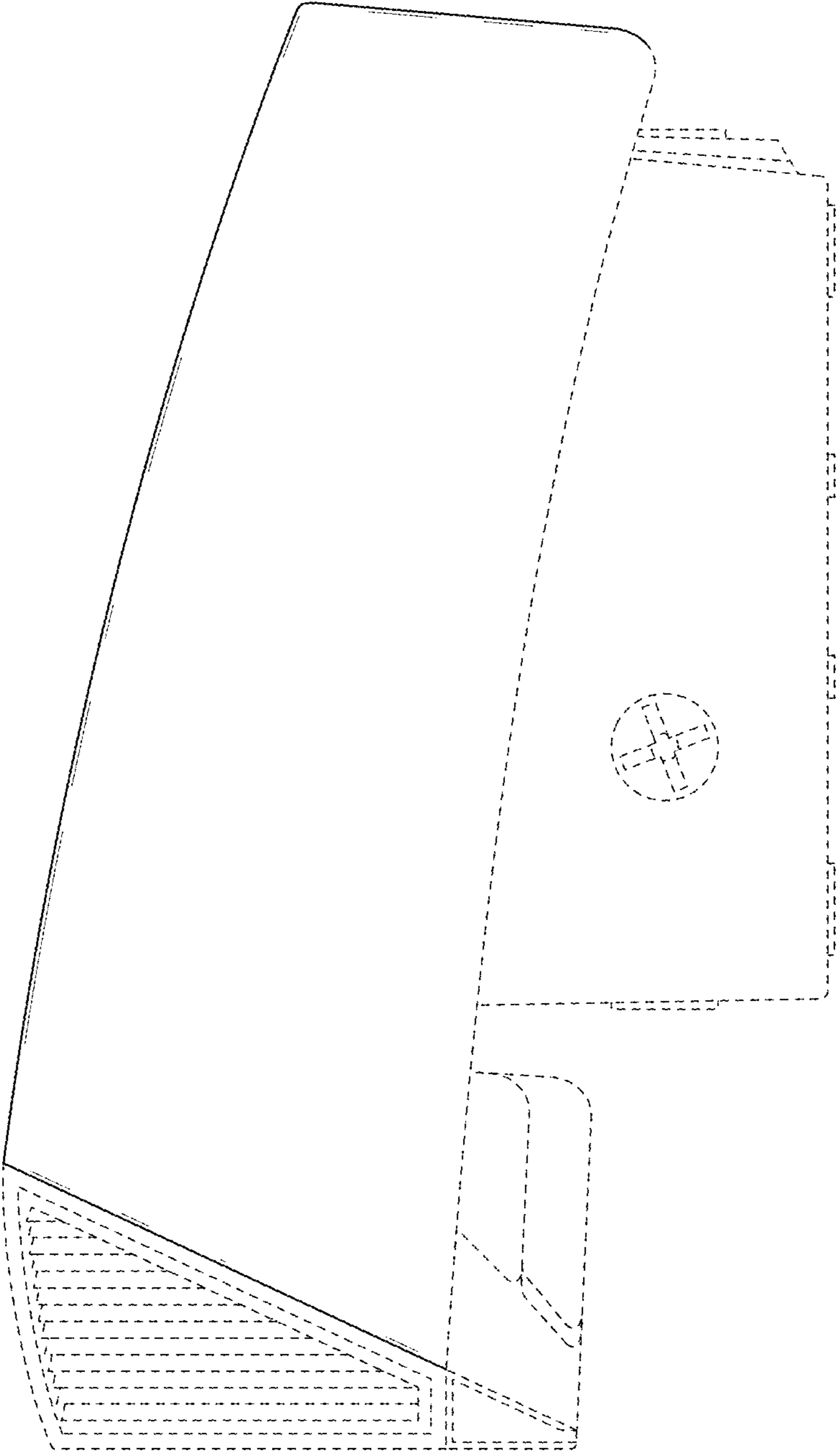


FIG. 4

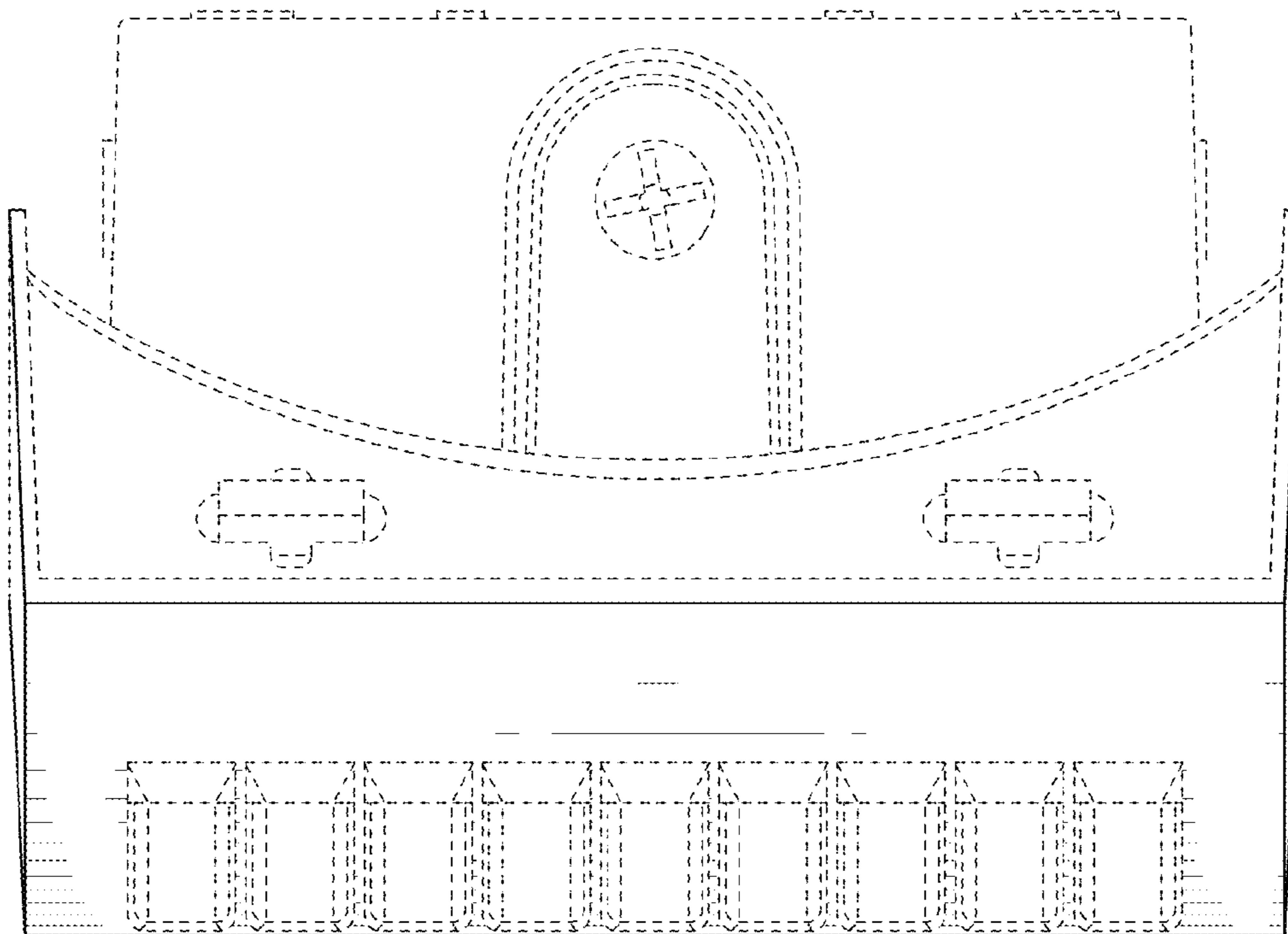


FIG. 5

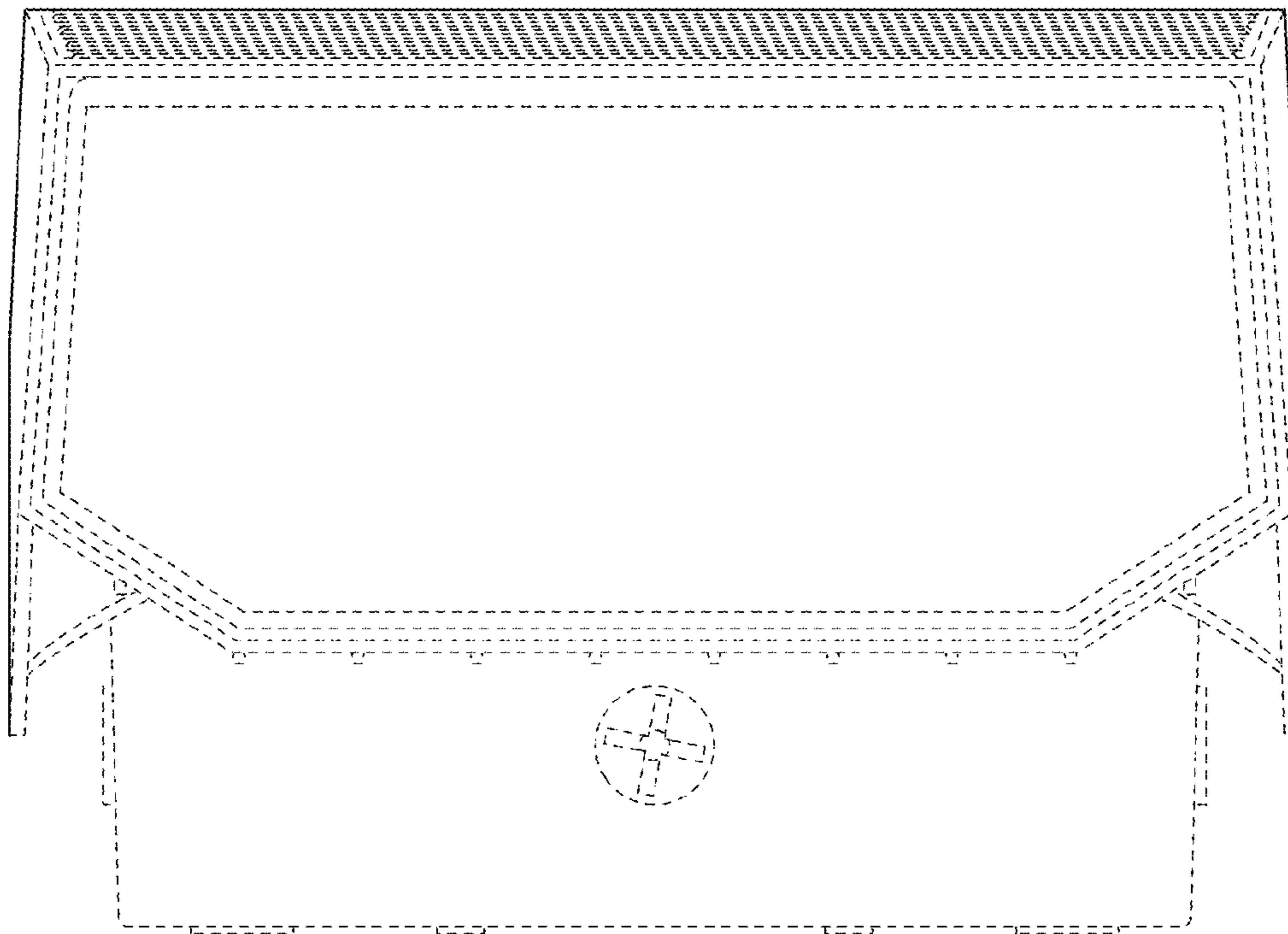


FIG. 6

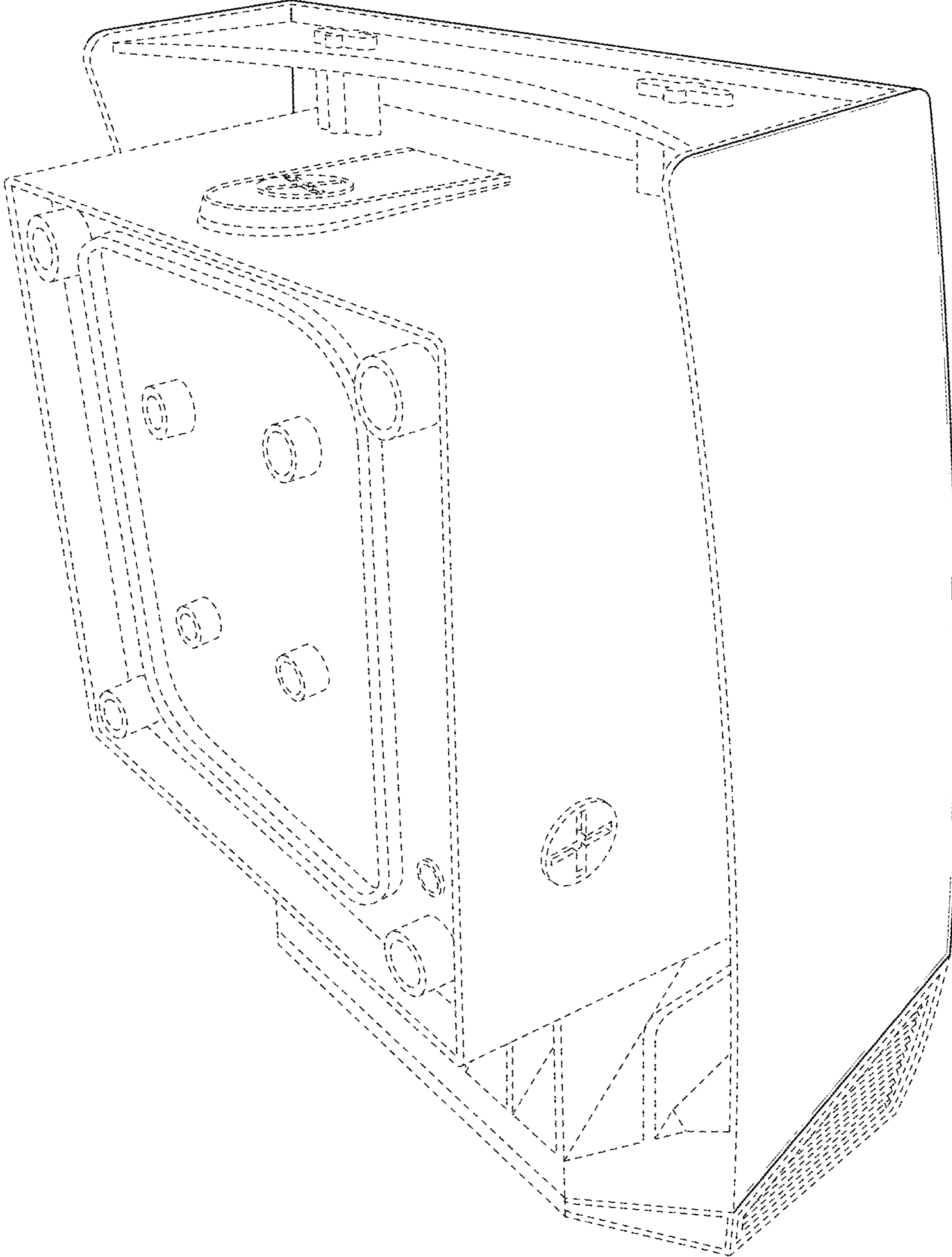


FIG. 7