



US00D730568S

(12) **United States Design Patent**
Mahowald

(10) **Patent No.:** **US D730,568 S**

(45) **Date of Patent:** **** *May 26, 2015**

(54) **LIGHTING FIXTURE**

(75) Inventor: **Peter Henry Mahowald**, Los Altos, CA
(US)

(73) Assignee: **Lunera Lighting, Inc.**, Redwood City,
CA (US)

(*) Notice: This patent is subject to a terminal dis-
claimer.

(**) Term: **14 Years**

(21) Appl. No.: **29/416,791**

(22) Filed: **Mar. 27, 2012**

(51) **LOC (10) Cl.** **26-99**

(52) **U.S. Cl.**
USPC **D26/118**

(58) **Field of Classification Search**

CPC F21Y 2101/02; F21Y 2103/003; F21Y
2103/00; F21K 9/17; F21S 4/008

USPC D26/24, 26, 42, 58, 61-66, 72-76, 87,
D26/92-95, 106-109, 113, 118-120, 145;
362/216, 217.01, 217.02,
362/217.1-217.14, 220, 362, 640, 641

See application file for complete search history.

(56) **References Cited**

U.S. PATENT DOCUMENTS

D66,428	S	*	1/1925	Rohlf	D26/107
2,404,627	A	*	7/1946	Goldberg	362/317
2,741,694	A	*	4/1956	Wiig et al.	362/340
D214,216	S	*	5/1969	Dreyfuss	D26/120
D223,547	S	*	5/1972	Ohwa	D26/107
4,002,499	A	*	1/1977	Winston	136/206
4,499,529	A	*	2/1985	Figueroa	362/346
4,514,793	A	*	4/1985	Andreasen	362/362
D280,025	S	*	8/1985	Waters	D26/24
4,661,890	A	*	4/1987	Watanabe et al.	362/225
4,669,033	A	*	5/1987	Lee	362/319
D294,067	S	*	2/1988	Ambasz	D26/76

D295,329	S	*	4/1988	Roos et al.	D26/109
D299,762	S	*	2/1989	King et al.	D26/87
D300,876	S	*	4/1989	Sakai	D26/107
4,843,521	A	*	6/1989	Plofchan	362/346
5,132,885	A	*	7/1992	Hocheim et al.	362/220
5,253,151	A	*	10/1993	Mephram et al.	362/216
5,357,413	A	*	10/1994	Mandall	362/346
D364,478	S	*	11/1995	Pesau	D26/76

(Continued)

OTHER PUBLICATIONS

Double 07 Wall Lamp, Houzz.com, online. Site visited Apr. 28, 2014.
Internet URL: <"http://www.houzz.com/photos/6189125/Double-
07-Wall-Lamp-modern-wall-sconces-">.*

Primary Examiner — Garth Rademaker

Assistant Examiner — Llorellys Martinez-Rivera

(74) *Attorney, Agent, or Firm* — North Weber & Baugh LLP

(57) **CLAIM**

I claim the ornamental design for a lighting fixture, as shown
and described.

DESCRIPTION

FIG. 1 is a rear perspective view of a lighting fixture showing
a first embodiment of my new design.

FIG. 2 is a side view thereof, the opposite side being a mirror
image thereof.

FIG. 3 is a top view thereof.

FIG. 4 is a bottom view thereof.

FIG. 5 is a rear perspective view of a lighting fixture showing
a second embodiment of the claimed design.

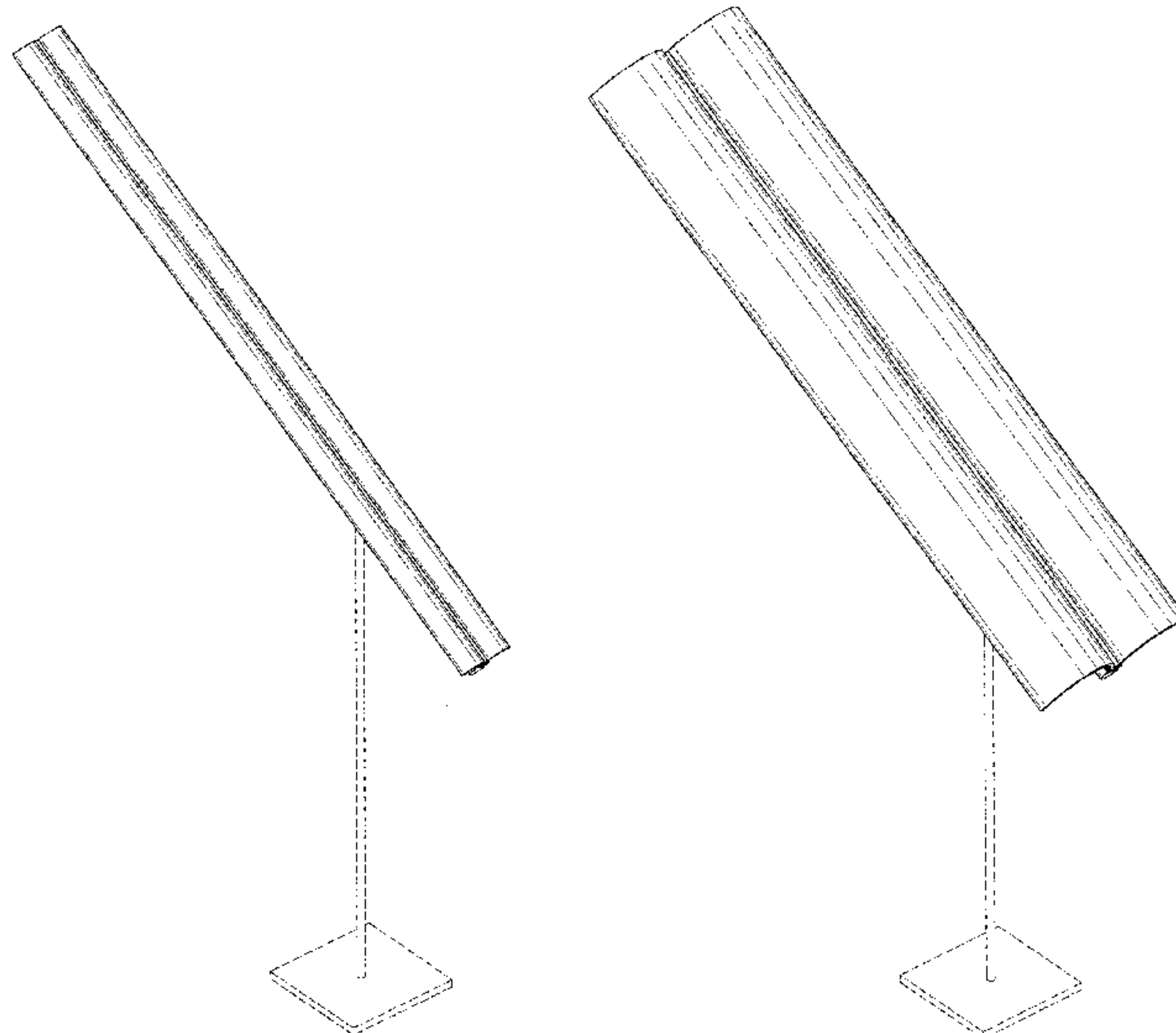
FIG. 6 is a side view thereof, the opposite side being a mirror
image thereof.

FIG. 7 is a top view thereof; and,

FIG. 8 is a bottom view thereof.

The broken line portions shown in FIGS. 1 and 5 are included
to show environmental subject matter only and form no part
of the claimed design.

1 Claim, 2 Drawing Sheets



(56)

References Cited

U.S. PATENT DOCUMENTS

D397,819	S *	9/1998	Thorton, Jr.	D26/77
D402,385	S *	12/1998	Chen	D26/65
5,845,988	A *	12/1998	Mandall	362/376
D463,058	S *	9/2002	Nourishad	D26/76
D463,601	S *	9/2002	Ludwig	D26/76
D472,667	S *	4/2003	Herst et al.	D26/118
D483,510	S *	12/2003	Fritze et al.	D26/75
D496,748	S *	9/2004	Herst et al.	D26/118
D505,221	S *	5/2005	Hetfield	D26/76
6,953,261	B1 *	10/2005	Jiao et al.	362/217.07
D522,681	S *	6/2006	Chen	D26/107
D532,145	S *	11/2006	Goetz-Schaefer	D26/106
7,156,539	B2 *	1/2007	Cronk	362/297
D538,462	S *	3/2007	Verfuerrth et al.	D26/118
7,204,603	B1 *	4/2007	Lanczy et al.	362/220
D544,628	S *	6/2007	Quintal	D26/76
D544,635	S *	6/2007	Chen	D26/118
D545,996	S *	7/2007	Hargreaves	D26/118
D547,898	S *	7/2007	Tseng	D26/78
7,331,687	B1 *	2/2008	Noh	362/220
D569,026	S *	5/2008	Silver	D26/76
D585,587	S *	1/2009	Fan	D26/118
D603,079	S *	10/2009	Toot et al.	D26/76
D616,138	S *	5/2010	Lasthein et al.	D26/76
D622,885	S *	8/2010	Ng et al.	D26/65
D627,095	S *	11/2010	Miyairi et al.	D26/120
D629,556	S *	12/2010	Alter et al.	D26/118
D632,818	S *	2/2011	Kong et al.	D26/76
D640,818	S *	6/2011	Ng et al.	D26/107
D648,059	S *	11/2011	Fisher et al.	D26/118
D650,114	S *	12/2011	Rudek et al.	D26/118
8,177,391	B2 *	5/2012	Ryu et al.	362/249.02
RE43,456	E *	6/2012	Verfuerrth et al.	D26/118
D662,639	S *	6/2012	Ng et al.	D26/65
D672,079	S *	12/2012	Kong et al.	D26/74
D687,584	S *	8/2013	Shek	D26/65
D690,861	S *	10/2013	Huang	D26/65
D698,992	S *	2/2014	Rischau et al.	D26/145
2012/0182713	A1 *	7/2012	Bretschneider	362/84
2012/0257381	A1 *	10/2012	Kwak et al.	362/217.13
2014/0029248	A1 *	1/2014	Dyson et al.	362/220

* cited by examiner

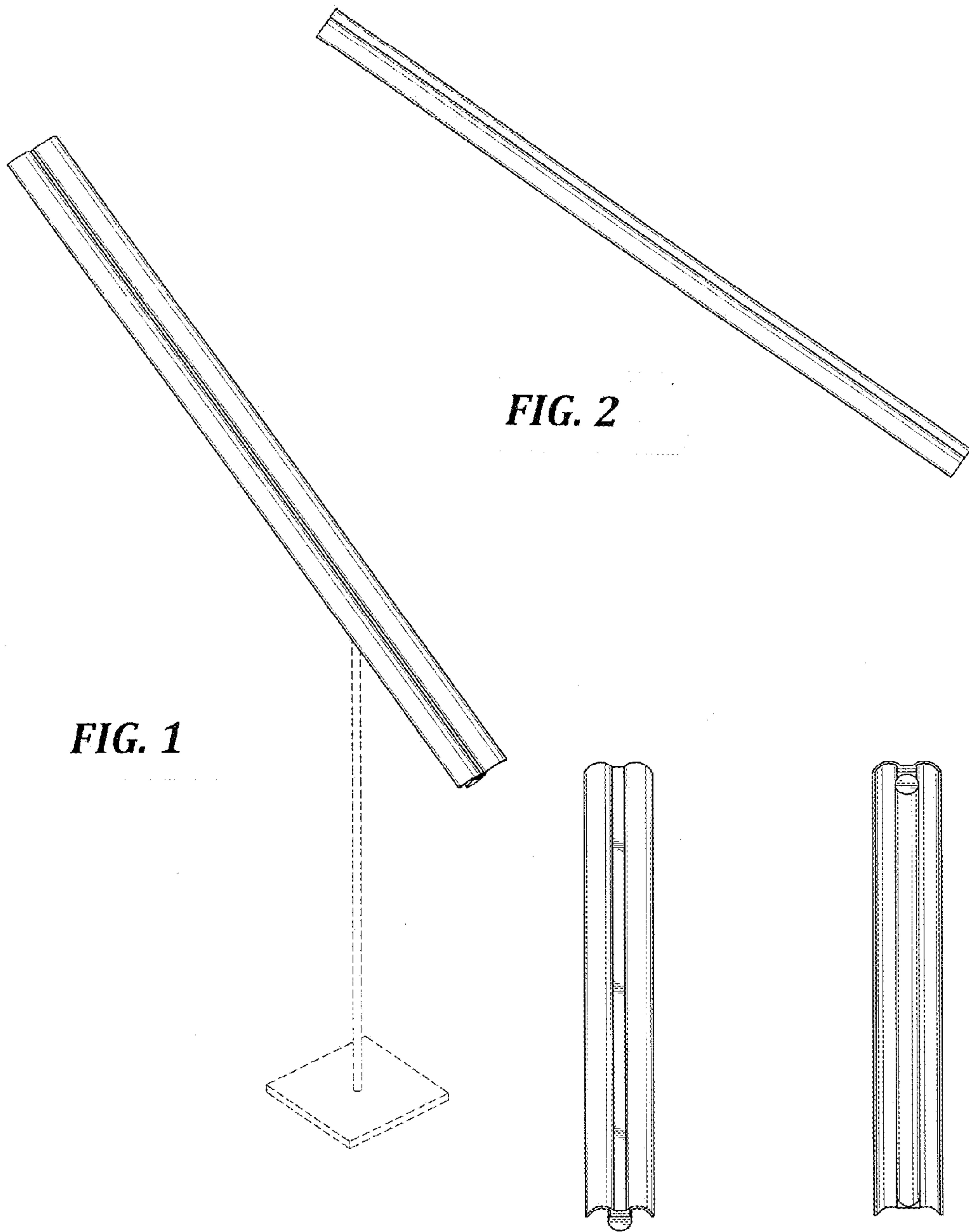


FIG. 1

FIG. 2

FIG. 3

FIG. 4

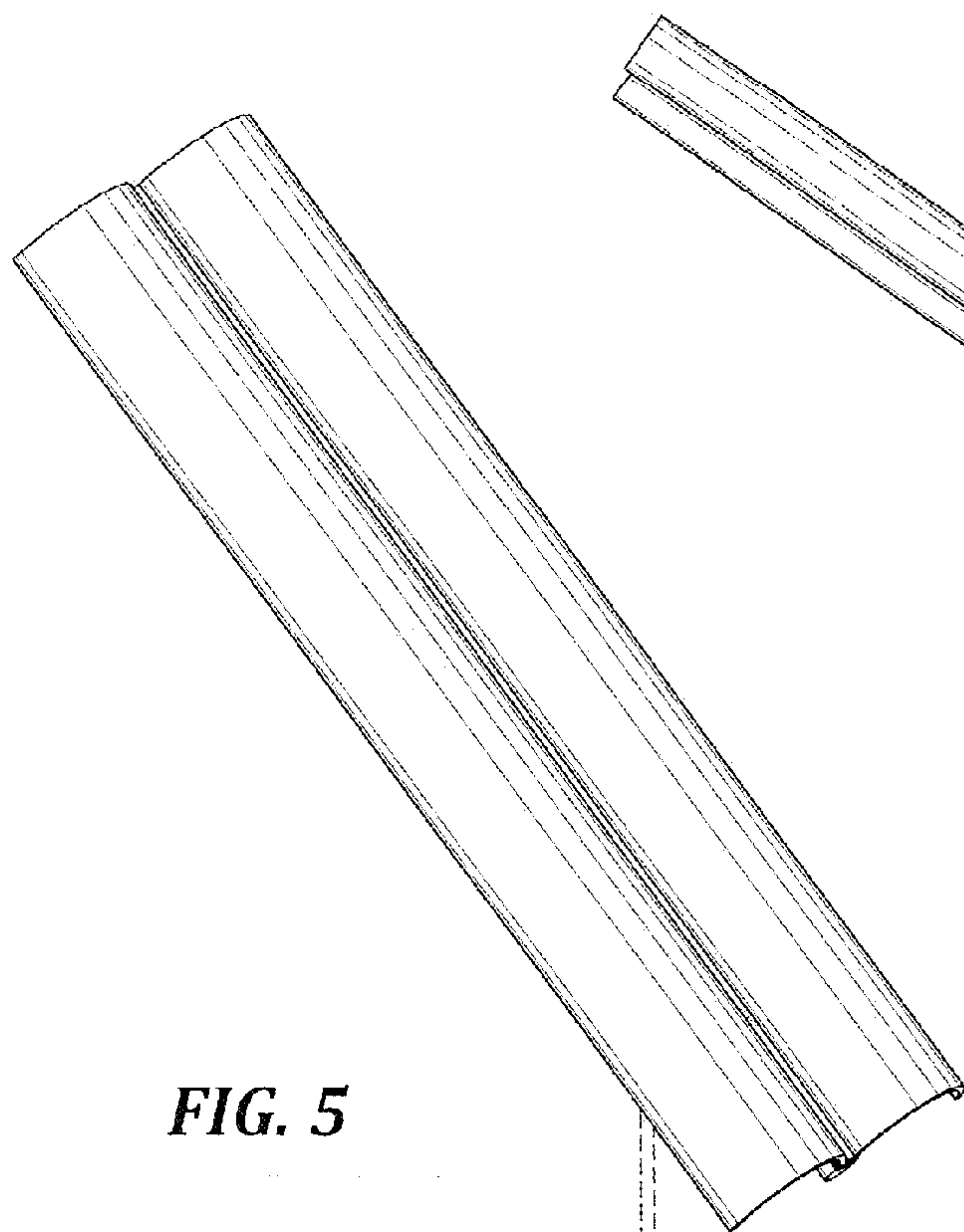


FIG. 5

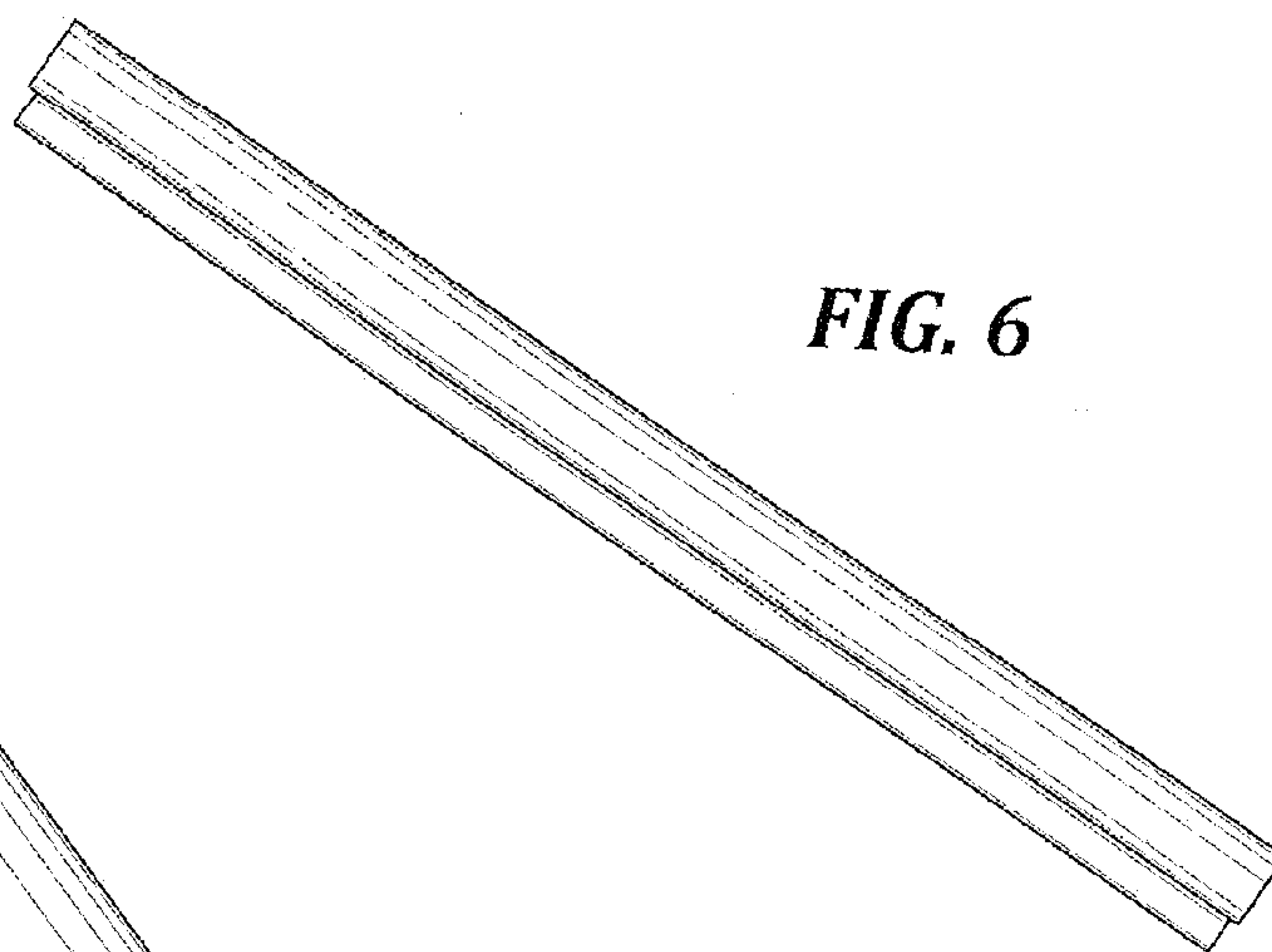
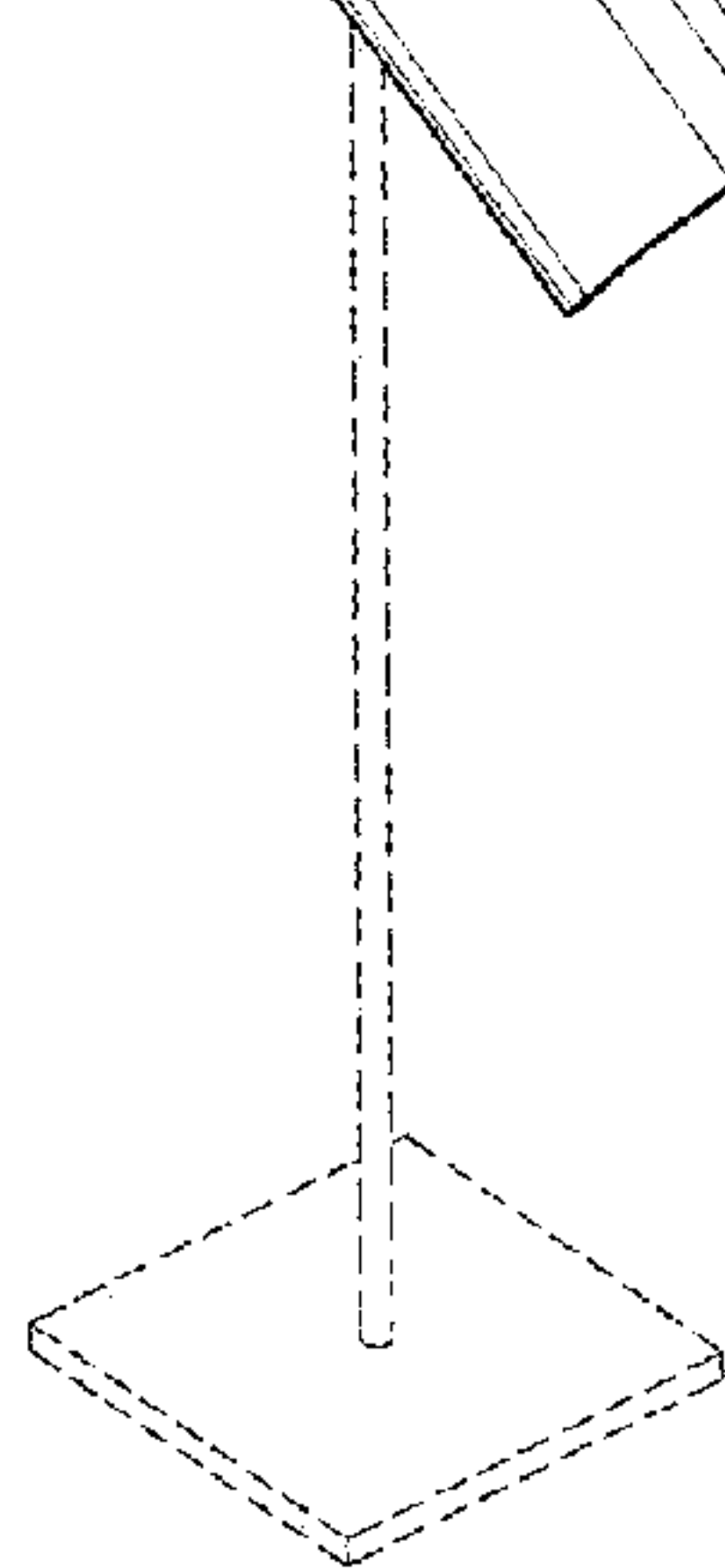


FIG. 6

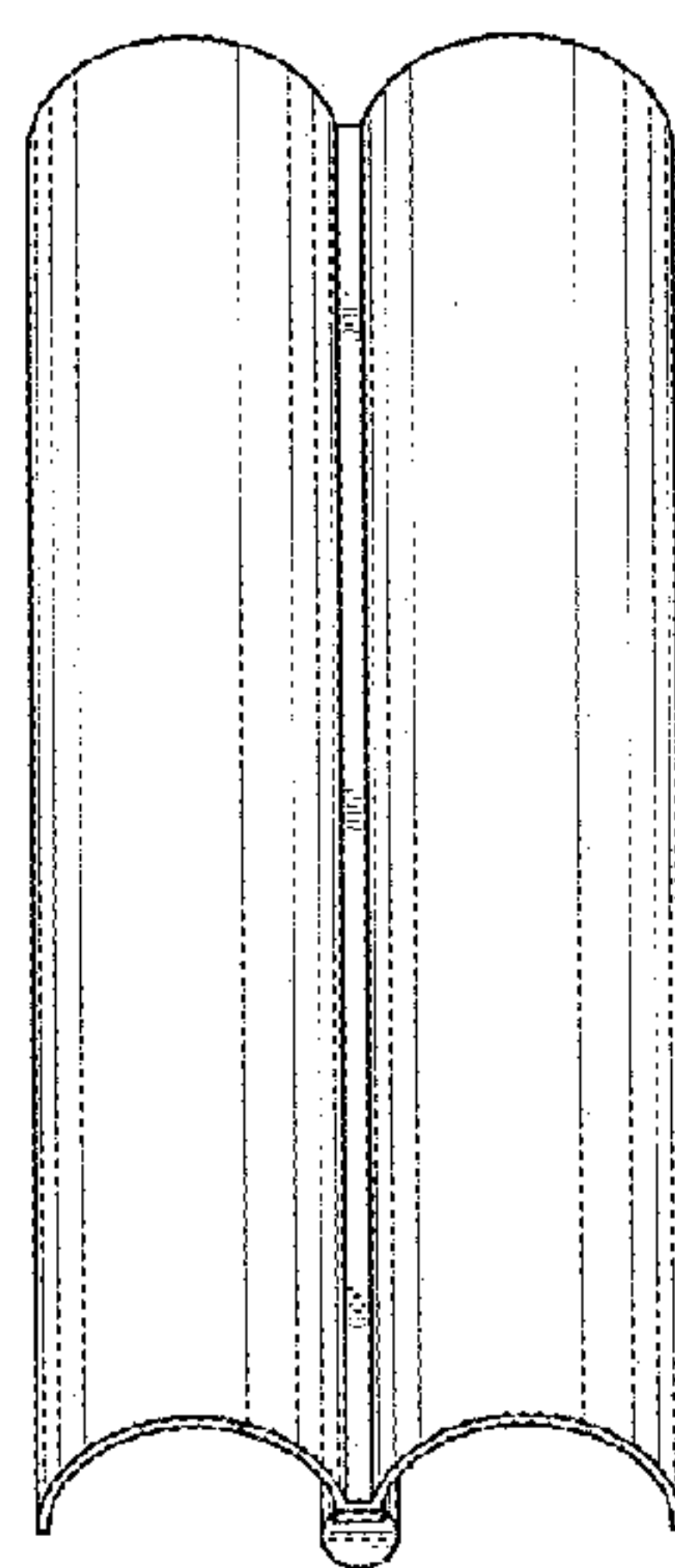


FIG. 7

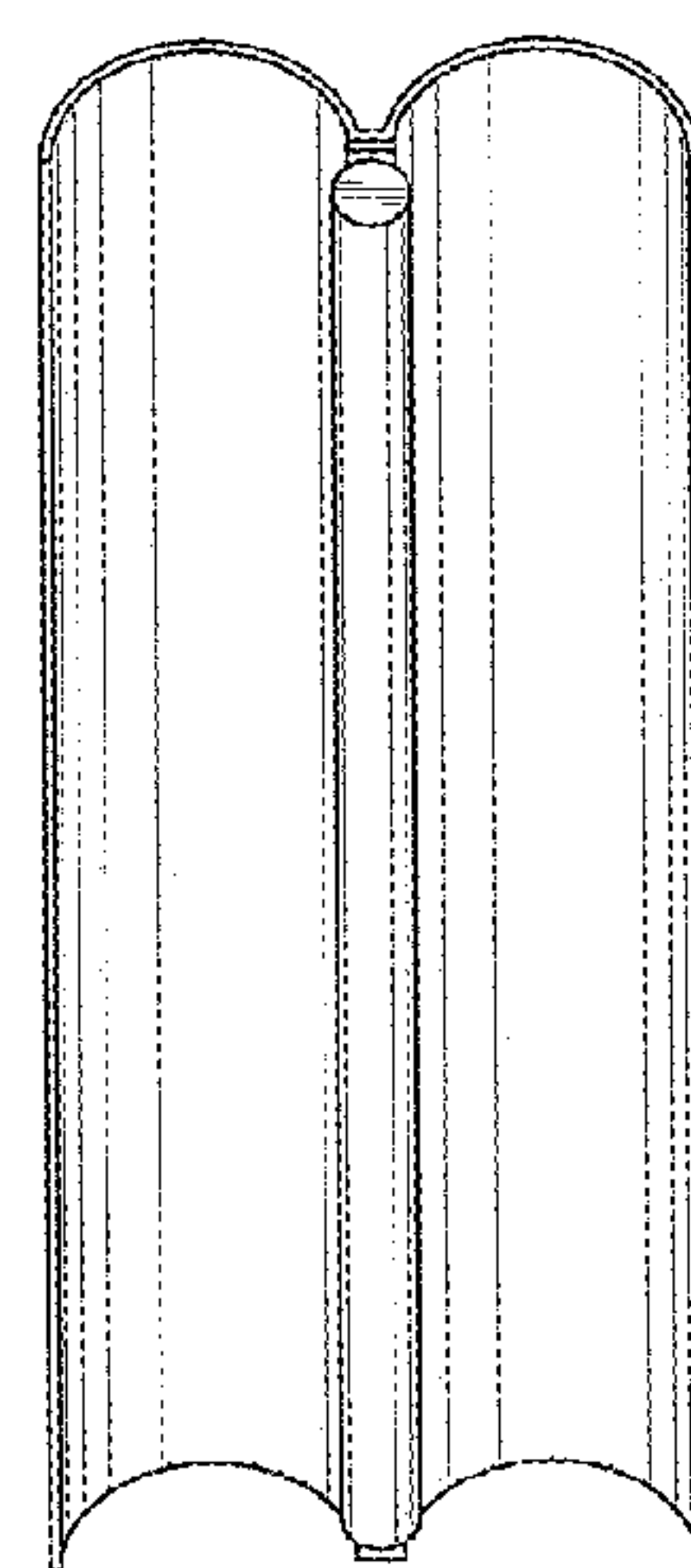


FIG. 8