



US00D730567S

(12) **United States Design Patent**
Lee

(10) **Patent No.:** **US D730,567 S**
(45) **Date of Patent:** **** May 26, 2015**

(54) **AMBIENCE LIGHT**

(71) Applicant: **Wen-Sung Lee**, Taichung (TW)

(72) Inventor: **Wen-Sung Lee**, Taichung (TW)

(**) Term: **14 Years**

(21) Appl. No.: **29/476,394**

(22) Filed: **Dec. 13, 2013**

(51) **LOC (10) Cl.** **26-03**

(52) **U.S. Cl.**
USPC **D26/104**

(58) **Field of Classification Search**
CPC F21S 6/005; F21S 6/002; F21S 6/003;
F21S 8/06; F21V 7/0008

USPC D26/73, 84, 90, 93-101, 104, 110, 112,
D26/142; 362/410, 412

See application file for complete search history.

(56) **References Cited**

U.S. PATENT DOCUMENTS

D22,996 S *	1/1894	Curtis et al.	D26/73
D236,021 S *	7/1975	Gandini	D26/104
D298,573 S *	11/1988	Komamura	D26/93
D438,141 S *	2/2001	Mancini	D11/157

D462,475 S *	9/2002	Wu	D26/104
D468,050 S *	12/2002	Poon	D26/104
D525,740 S *	7/2006	Parker	D26/104
D565,784 S *	4/2008	Demarest et al.	D26/101
D567,994 S *	4/2008	Chan et al.	D26/104
D571,499 S *	6/2008	Ho	D26/104
D571,946 S *	6/2008	Demarest et al.	D26/104
D683,062 S *	5/2013	Larsen	D26/73

* cited by examiner

Primary Examiner — Clare E Heflin

(57) **CLAIM**

The ornamental design for an ambience light, as shown described.

DESCRIPTION

FIG. 1 is a perspective view of an ambience light showing my new design;

FIG. 2 is a front elevational view thereof;

FIG. 3 is a rear elevational view thereof;

FIG. 4 is a left side view thereof;

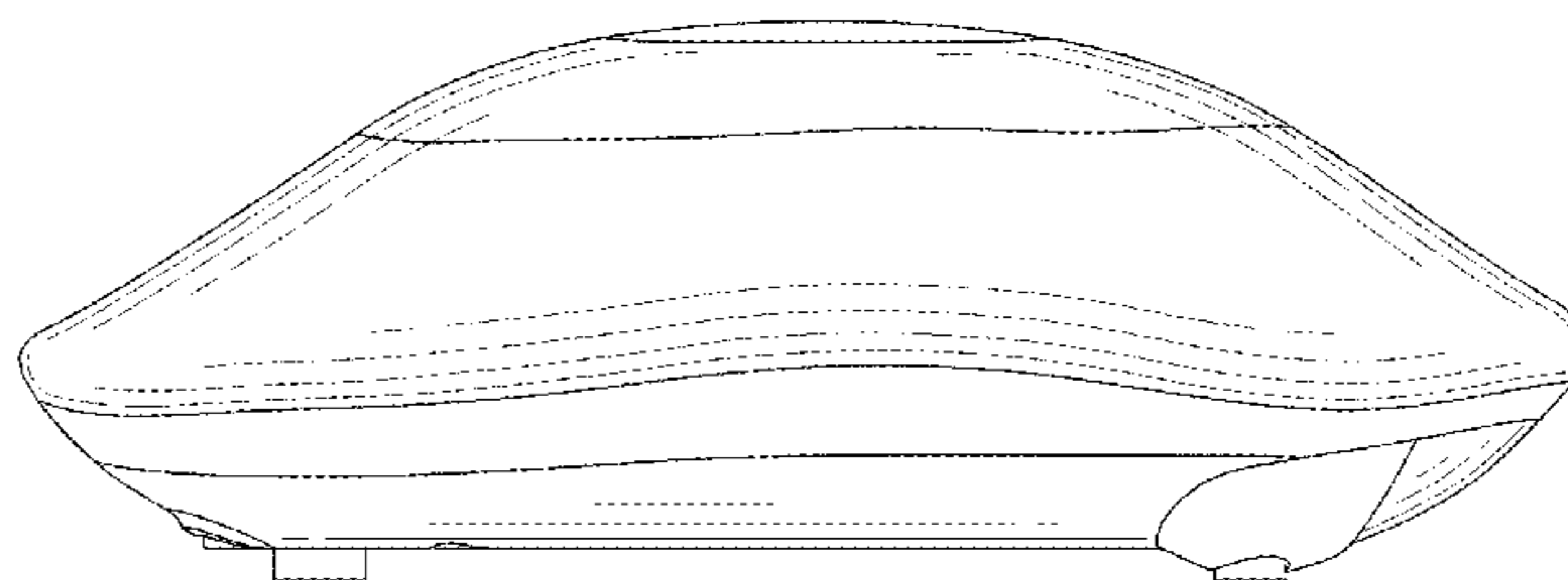
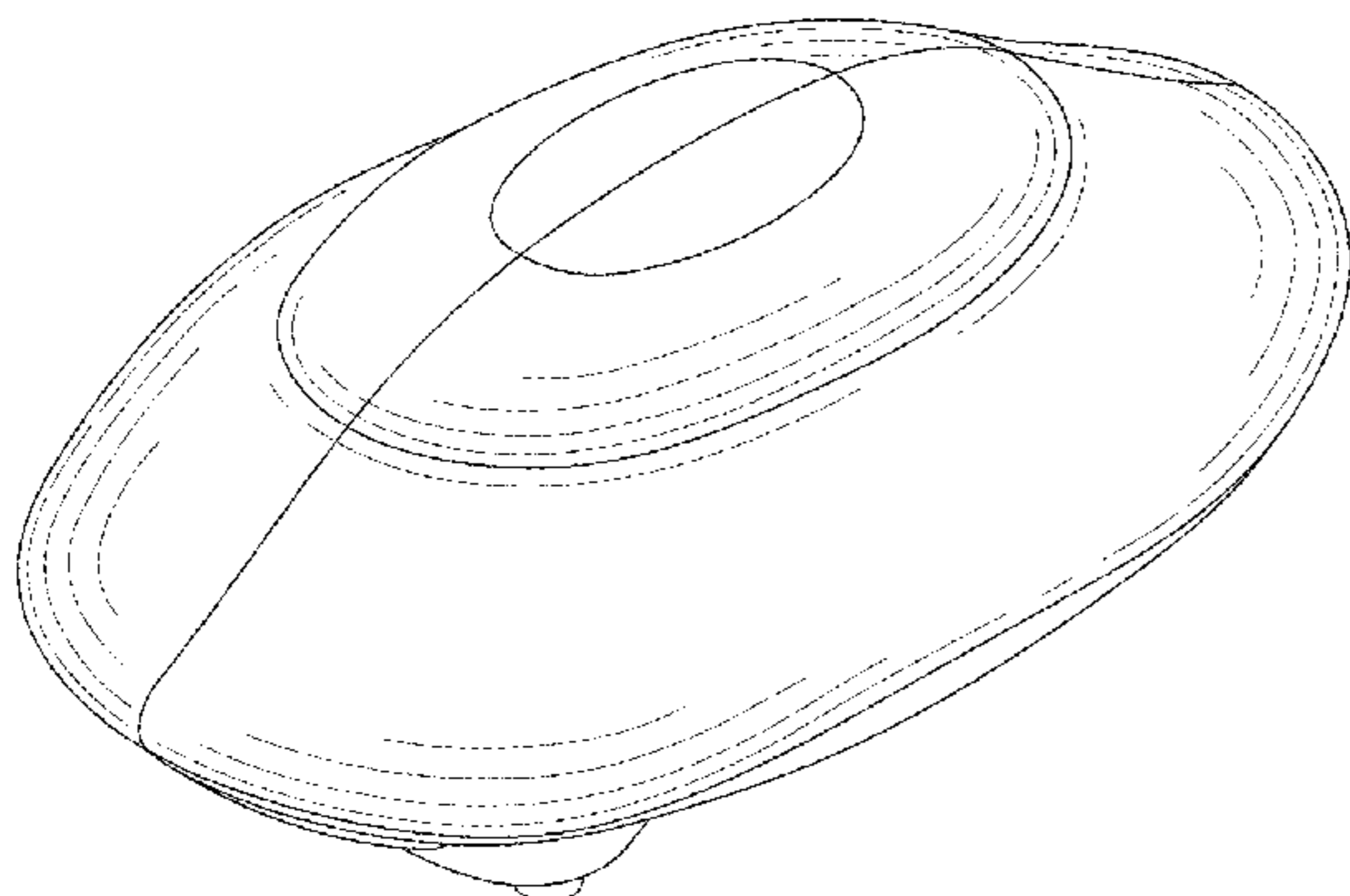
FIG. 5 is a right side view thereof;

FIG. 6 is a top plan view thereof;

FIG. 7 is a bottom plan view thereof; and,

FIG. 8 is another perspective view thereof.

1 Claim, 6 Drawing Sheets



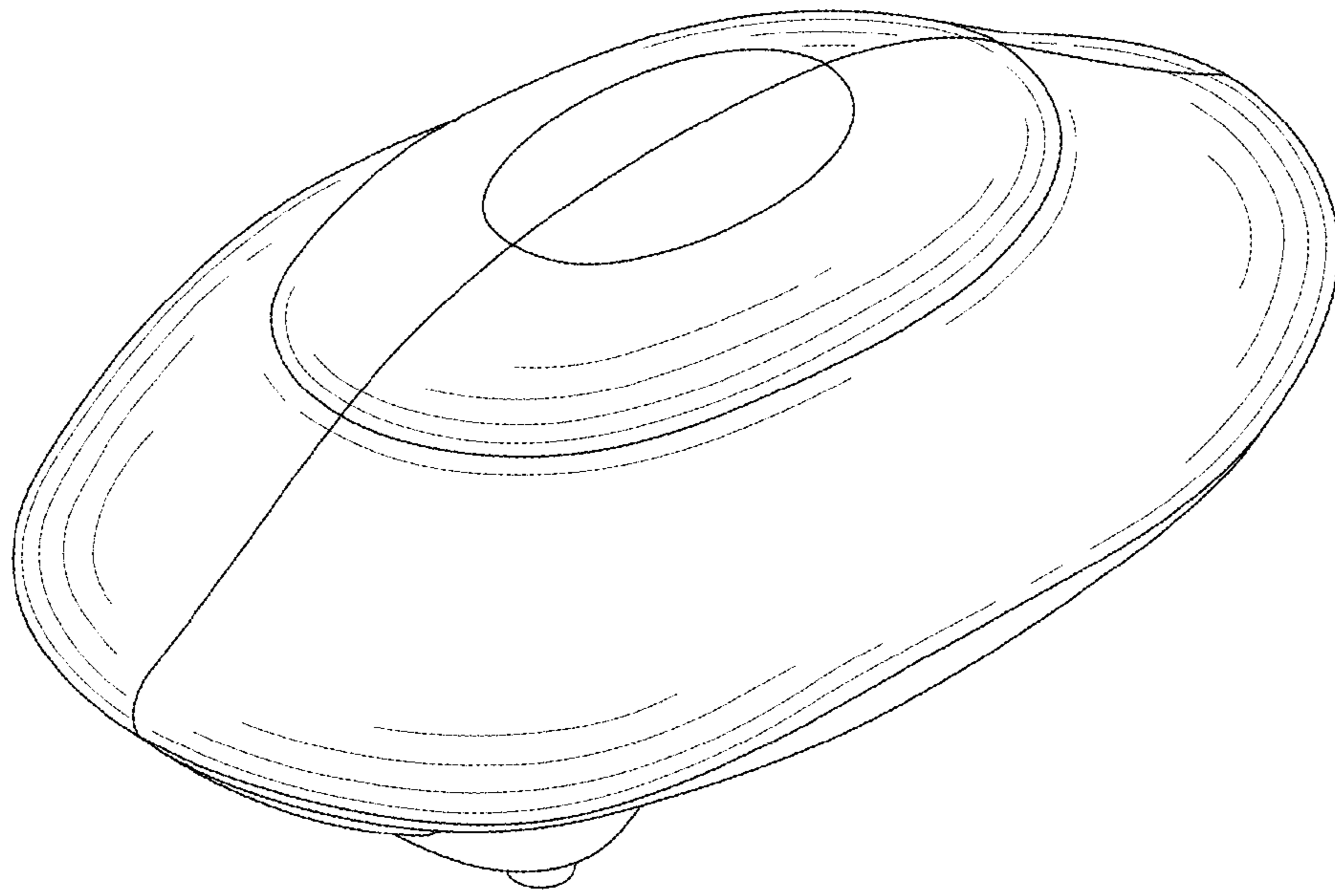


FIG.1

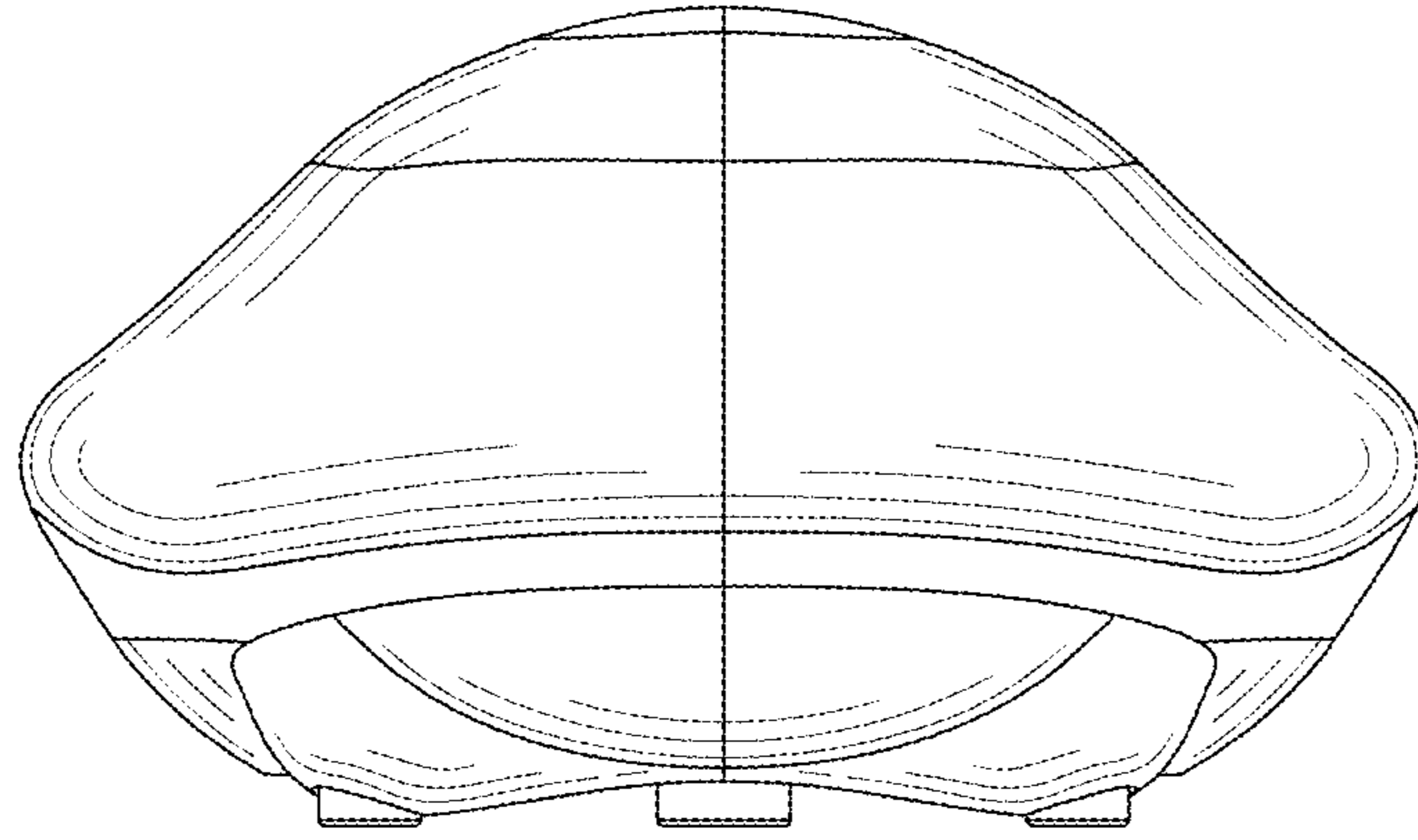


FIG.2

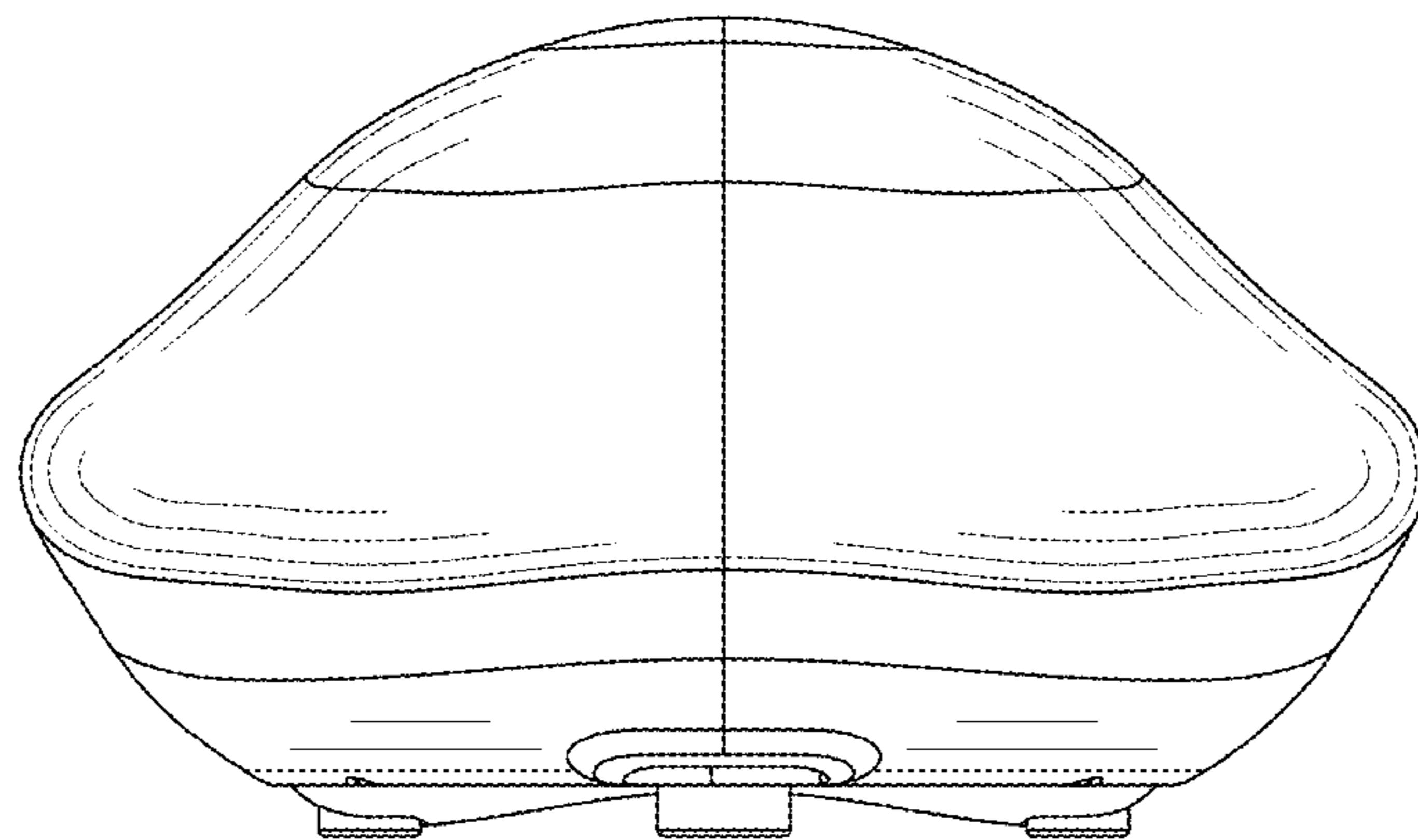


FIG.3

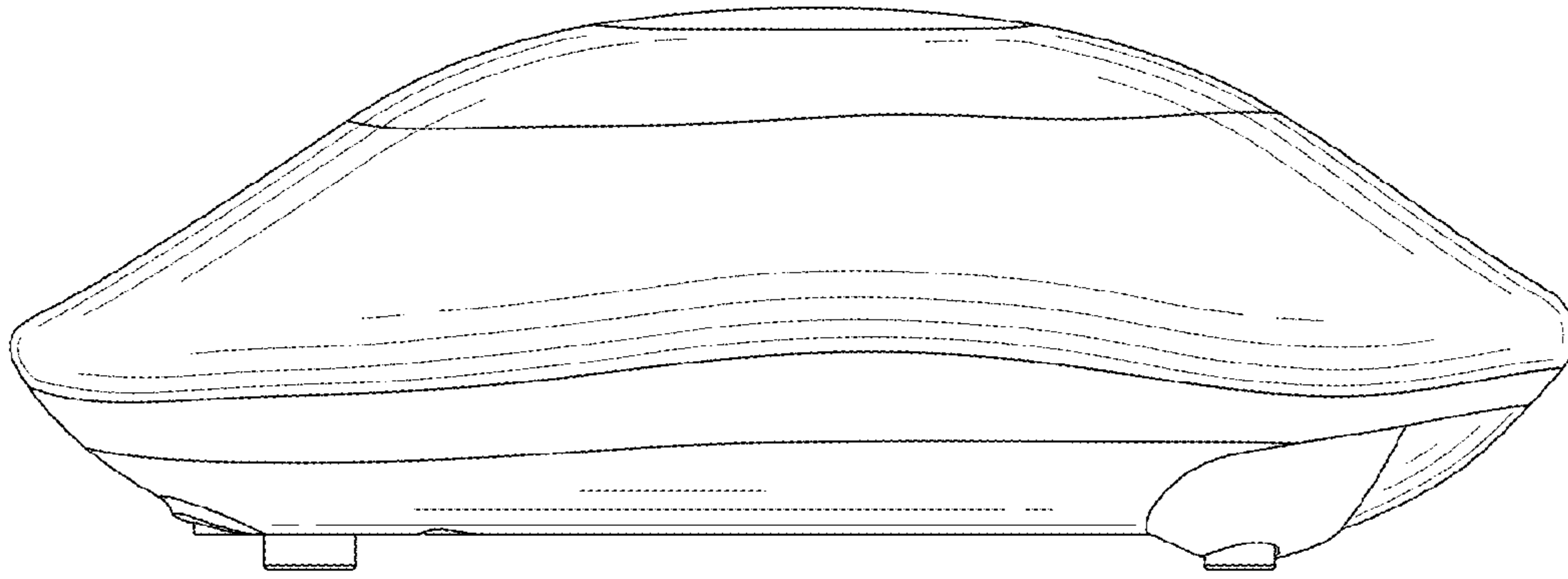


FIG. 4

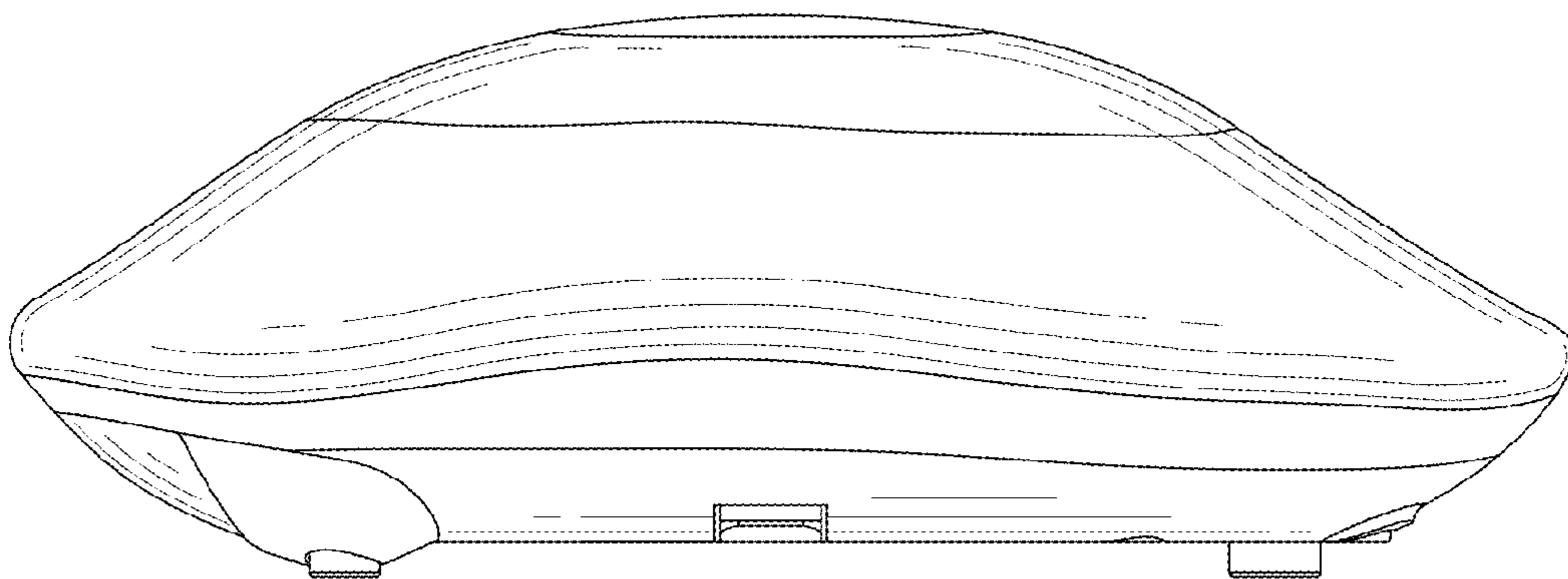


FIG. 5

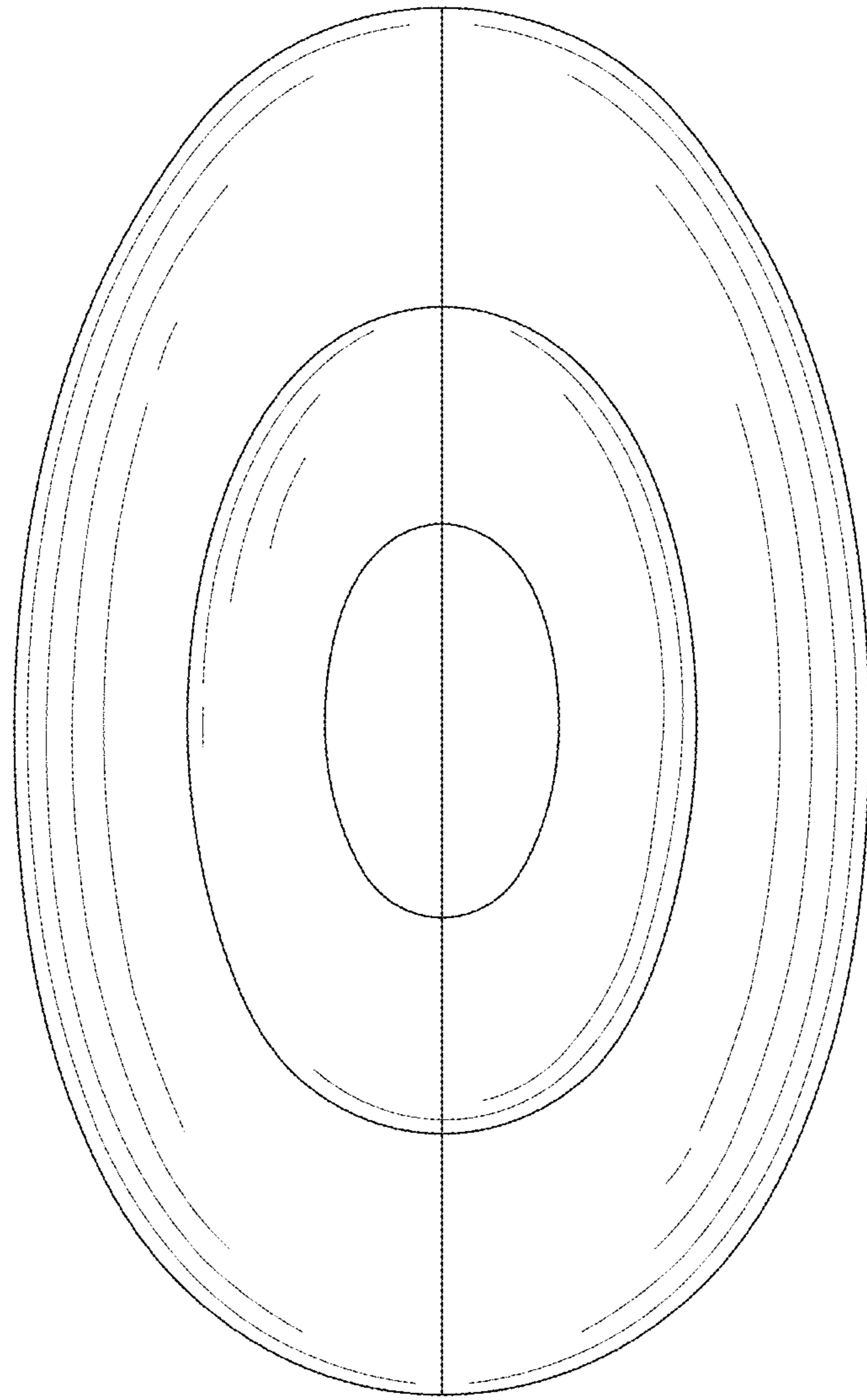


FIG.6

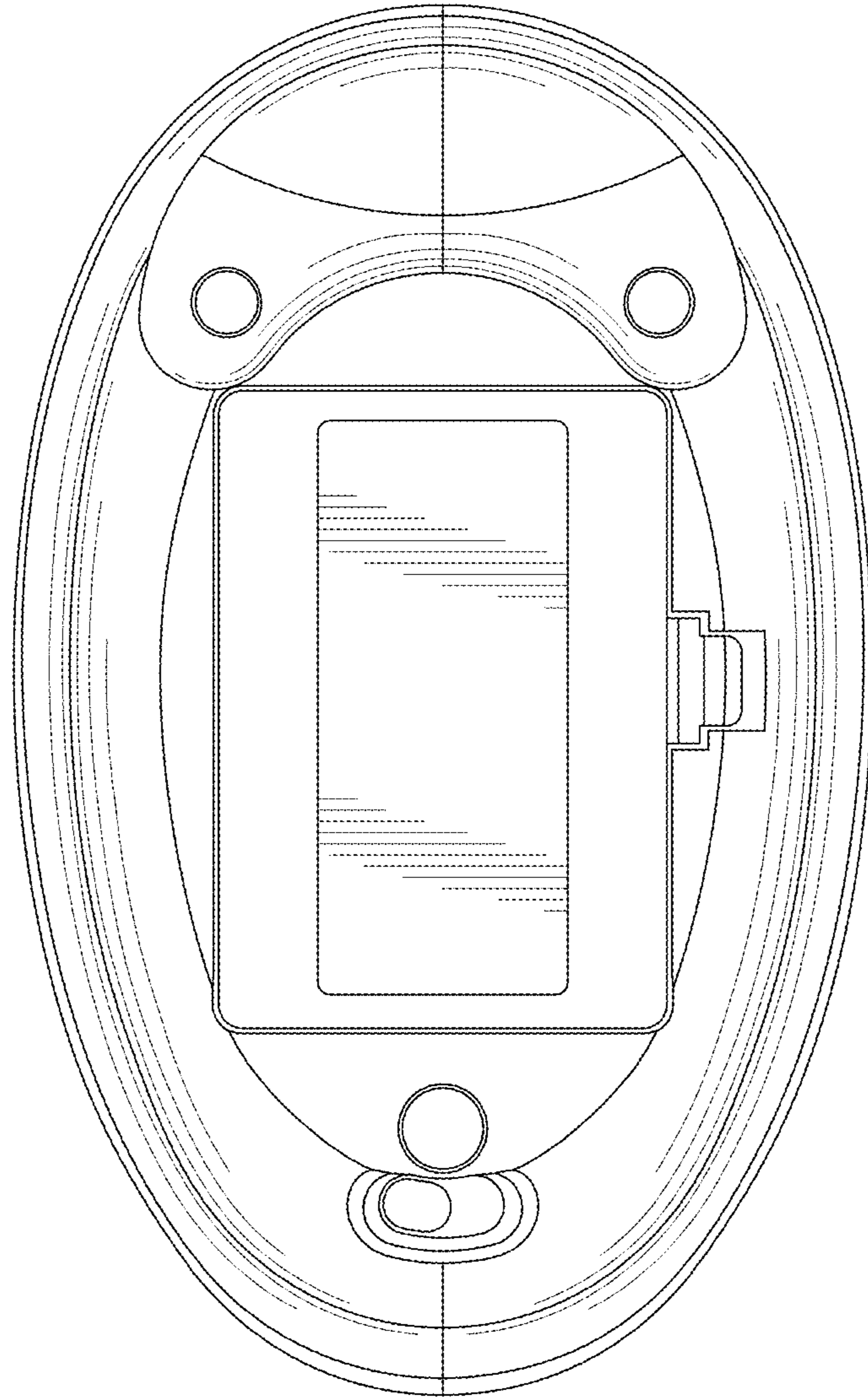


FIG.7

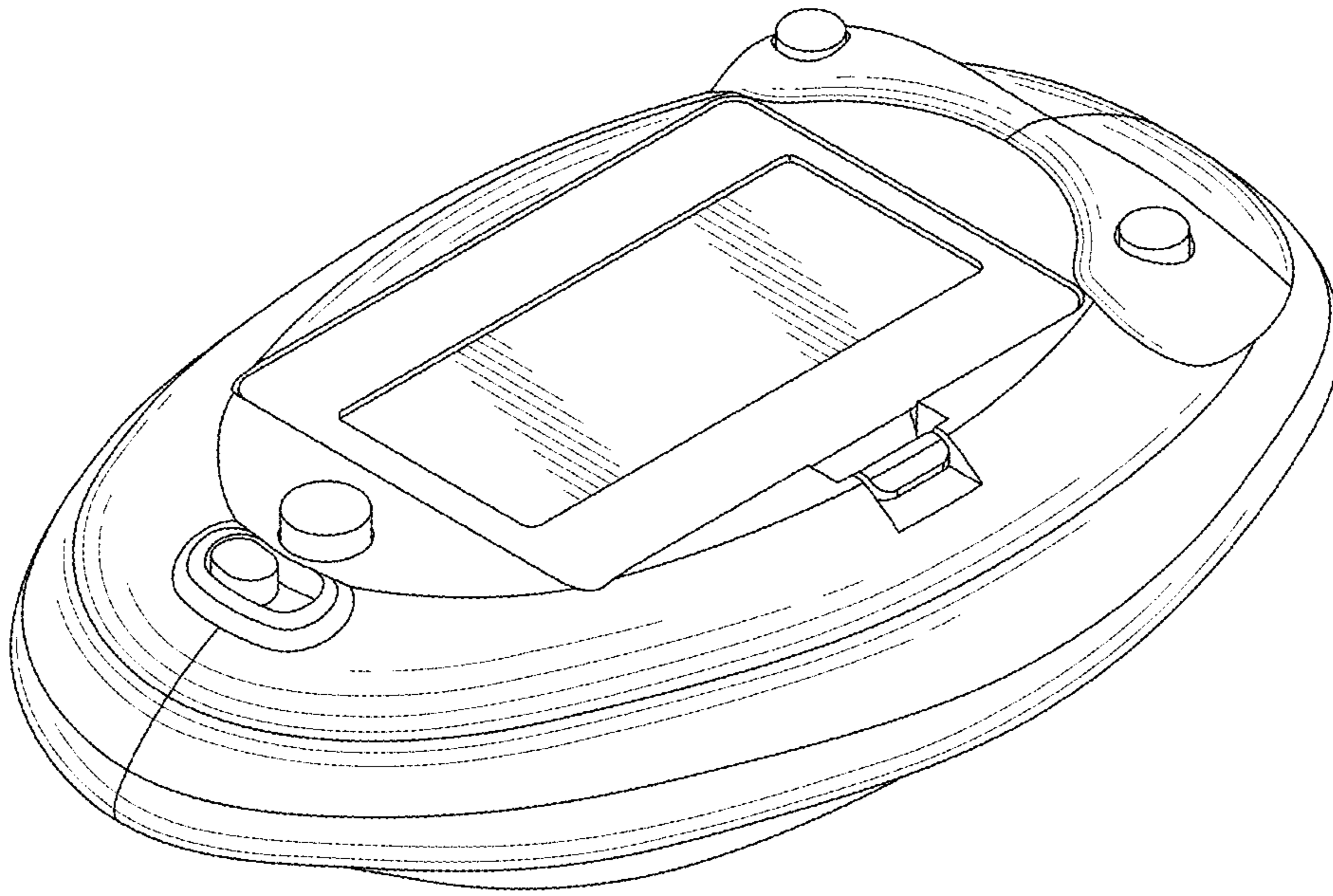


FIG.8