



US00D730564S

(12) **United States Design Patent**
Waldmann

(10) **Patent No.:** **US D730,564 S**

(45) **Date of Patent:** **** May 26, 2015**

(54) **LAMP**

(71) Applicant: **Gerhard Waldmann**, Stein am Rhein (CH)

(72) Inventor: **Gerhard Waldmann**, Stein am Rhein (CH)

(73) Assignee: **HERBERT WALDMANN GMBH & CO. KG**, Villingen-Schwenningen (DE)

(**) Term: **14 Years**

(21) Appl. No.: **29/437,187**

(22) Filed: **Nov. 14, 2012**

(30) **Foreign Application Priority Data**

Aug. 1, 2012 (WO) DM/079 007

(51) **LOC (10) Cl.** **26-03**

(52) **U.S. Cl.**
USPC **D26/92; D26/76**

(58) **Field of Classification Search**
CPC F21S 8/06; F21S 8/031; F21S 4/00;
F21Y 2101/00
USPC D26/72, 75-78, 80, 92, 118; 362/98,
362/147, 217.01, 218, 219, 223, 260, 294,
362/373
See application file for complete search history.

(56) **References Cited**

U.S. PATENT DOCUMENTS

D150,735 S * 8/1948 Schwartz et al. D26/78
D151,575 S * 10/1948 Winkler et al. D26/77

D186,129 S * 9/1959 Spaulding D26/76
D186,952 S * 12/1959 Akely et al. D26/76
D188,436 S * 7/1960 Budke et al. D26/77
D190,596 S * 6/1961 Franck et al. D26/76
D492,809 S * 7/2004 Weitgasser D26/76
D496,750 S * 9/2004 Waldmann D26/78
D521,172 S * 5/2006 Chen D26/76
D530,038 S * 10/2006 Kotovsky D26/76
D543,305 S * 5/2007 Wang D26/60
RE40,158 E * 3/2008 Weitgasser D26/76
7,438,432 B2 * 10/2008 Yaphe et al. 362/147
D645,194 S * 9/2011 Budike et al. D26/76
D663,882 S * 7/2012 Muraishi et al. D26/76
D695,943 S * 12/2013 Duquette et al. D26/87

* cited by examiner

Primary Examiner — Clare E Heflin

(74) *Attorney, Agent, or Firm* — Andrew F. Young, Esq.;
Lackebach Siegel, LLP

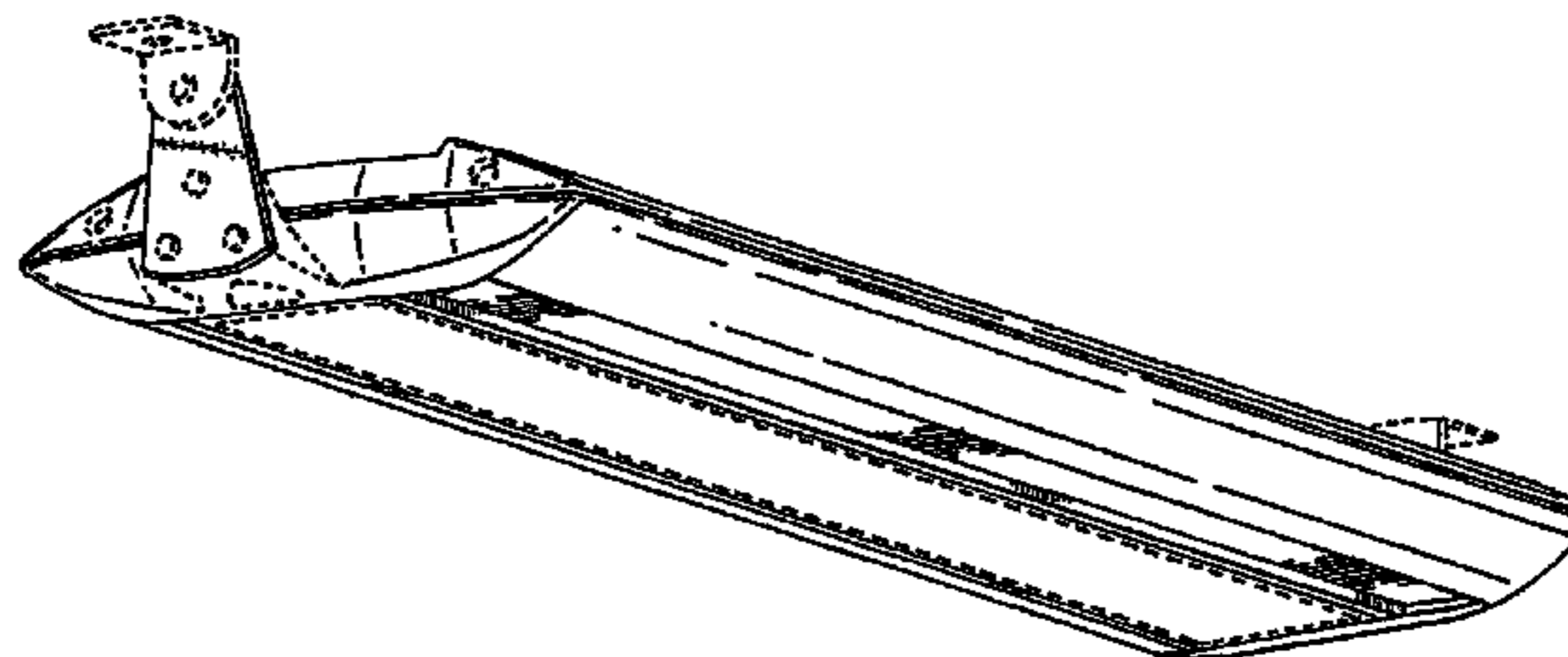
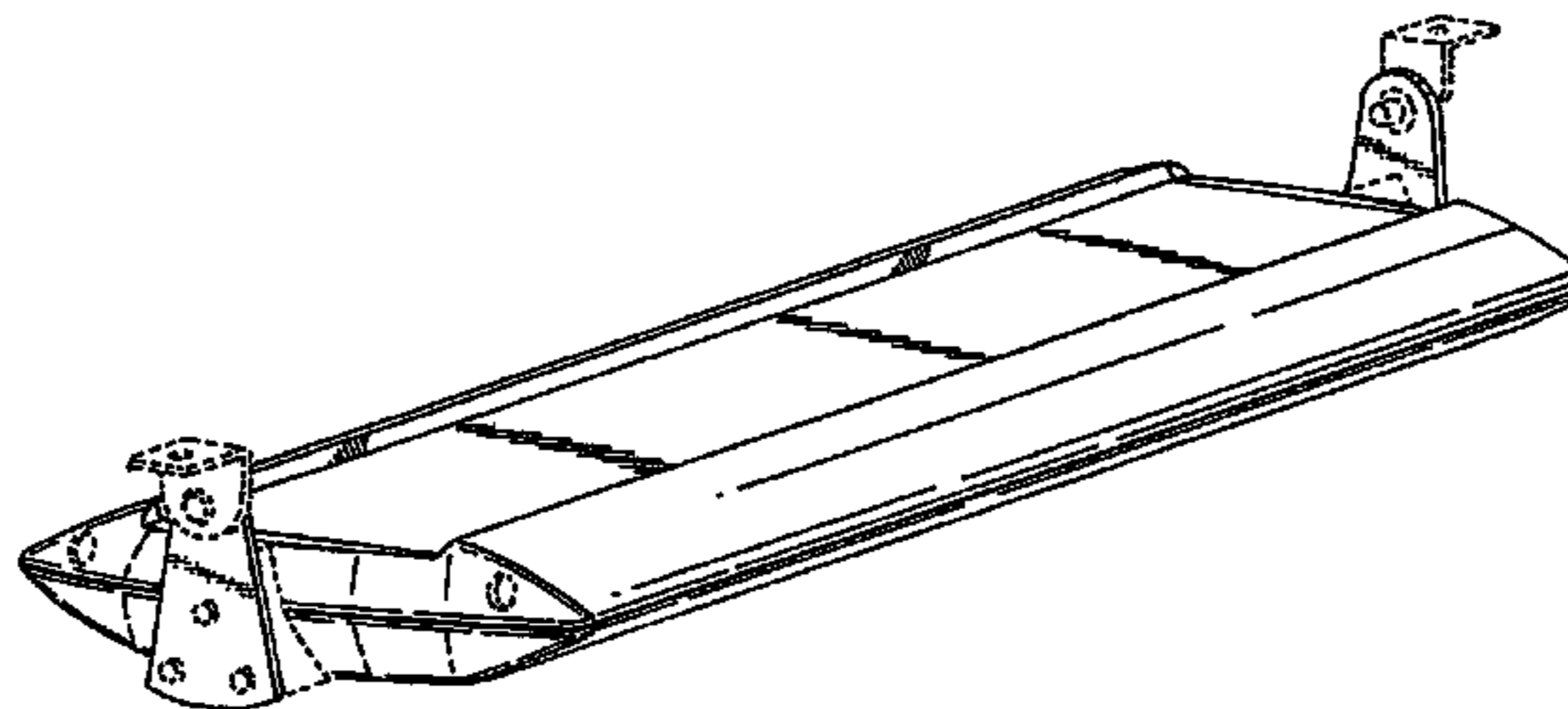
(57) **CLAIM**

The ornamental design for a lamp, as shown and described.

DESCRIPTION

FIG. 1 is a front perspective view of the present invention.
FIG. 2 is a bottom plan view of FIG. 1.
FIG. 3 is a right side elevation view of FIG. 1.
FIG. 4 is a left side elevation view of FIG. 1.
FIG. 5 is a front elevation view of FIG. 1.
FIG. 6 is a rear elevation view of FIG. 1; and,
FIG. 7 is a top plan view of FIG. 1.
FIG. 8 is a front bottom perspective view of FIG. 1.
The broken lines on the drawings depict portions of the lamp that form no part of the claimed design.

1 Claim, 5 Drawing Sheets



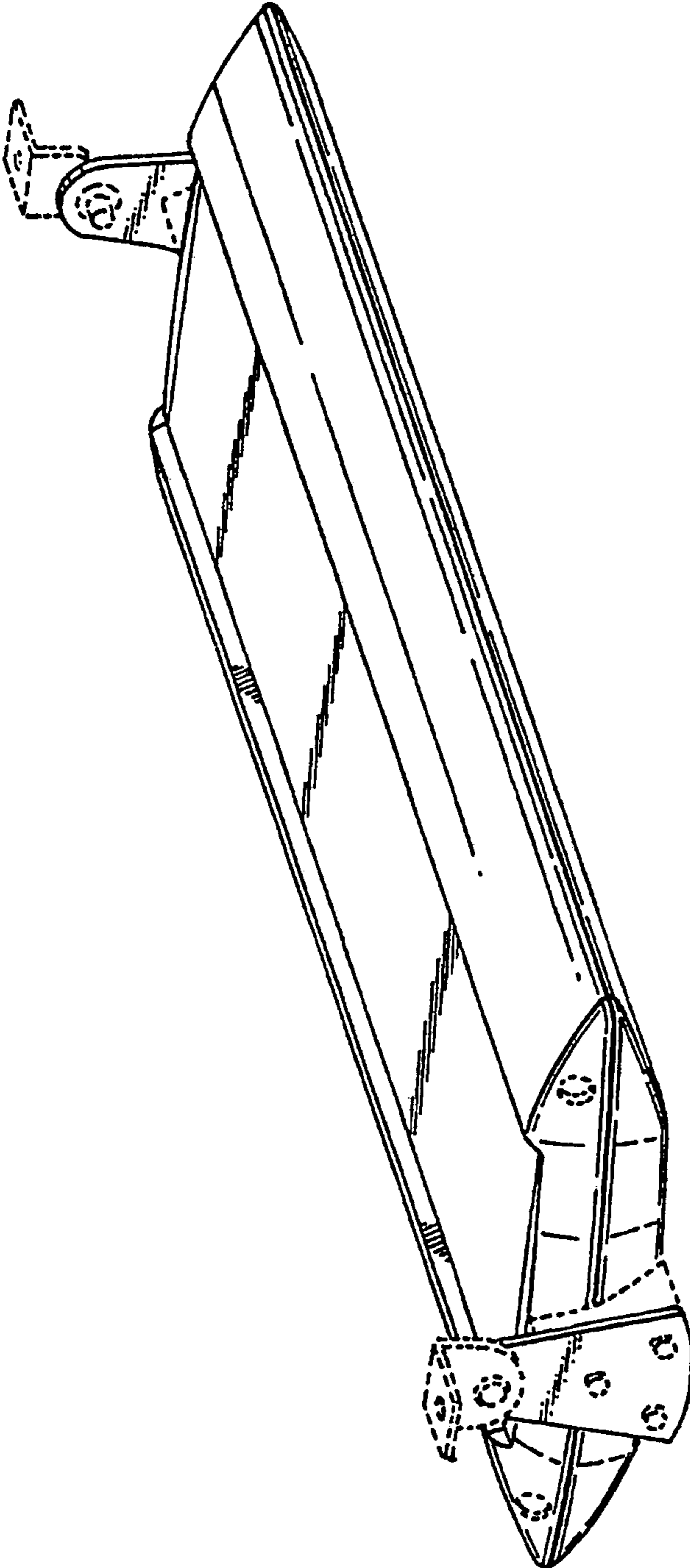


Fig. 1

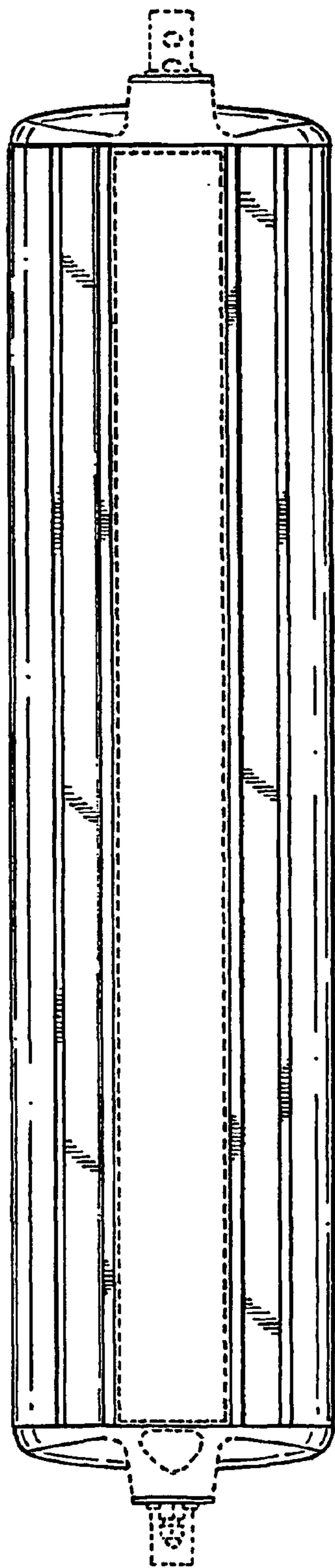


Fig. 2



Fig. 3

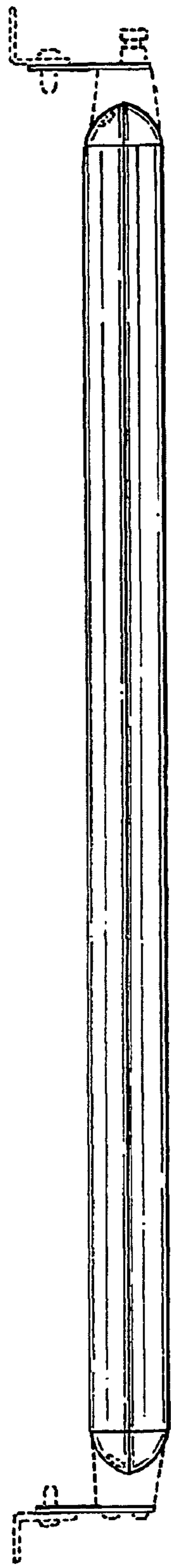


Fig. 4

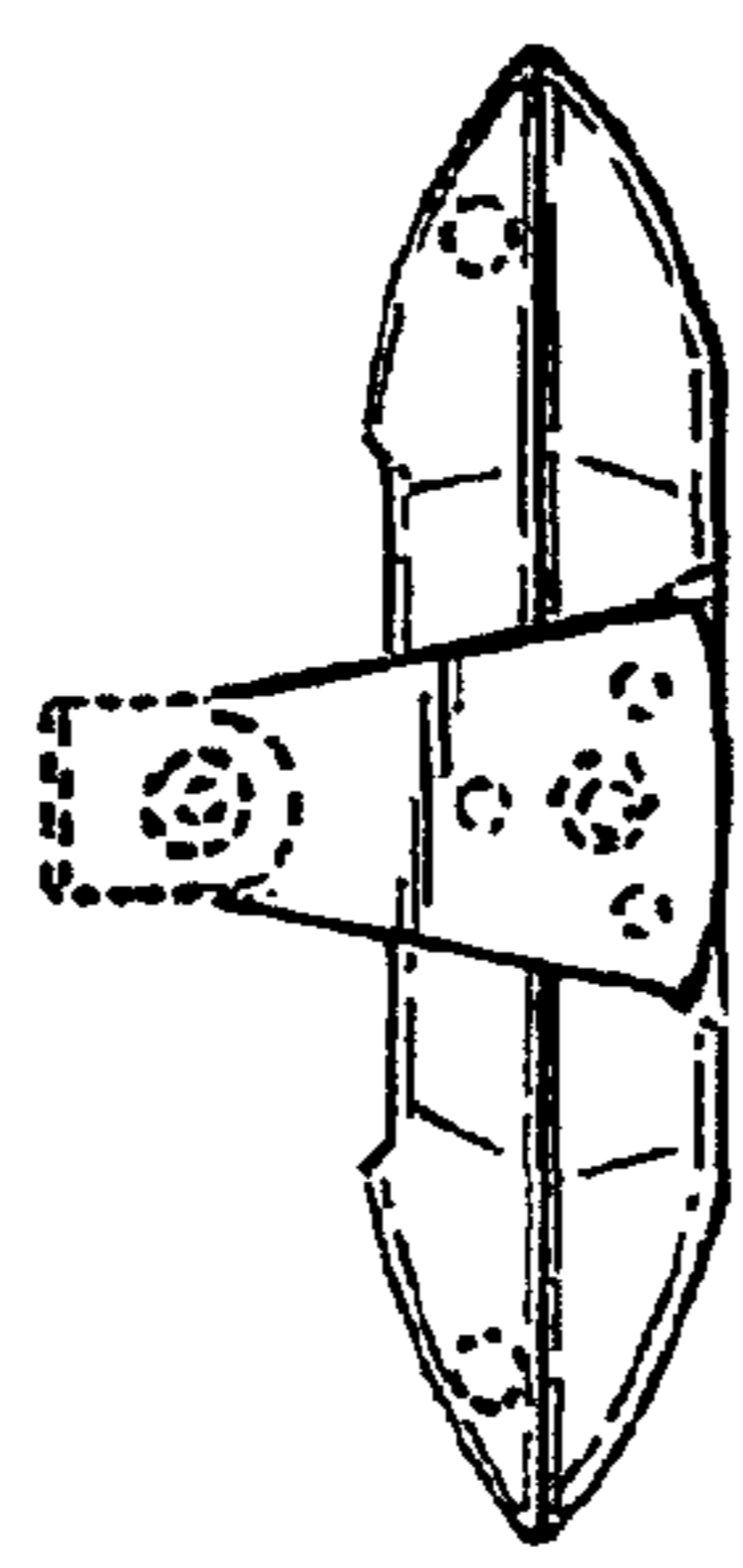


Fig. 5

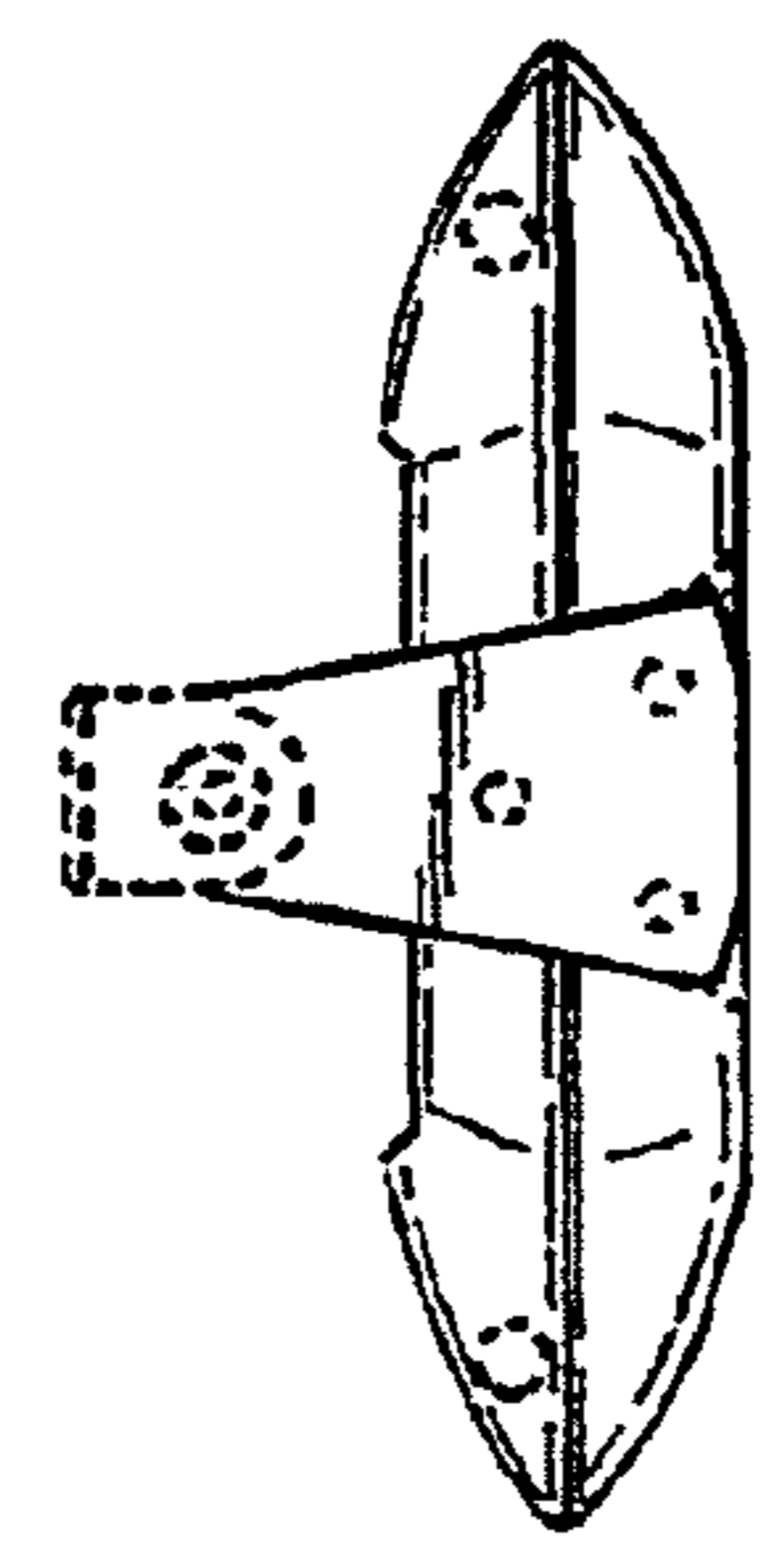


Fig. 6

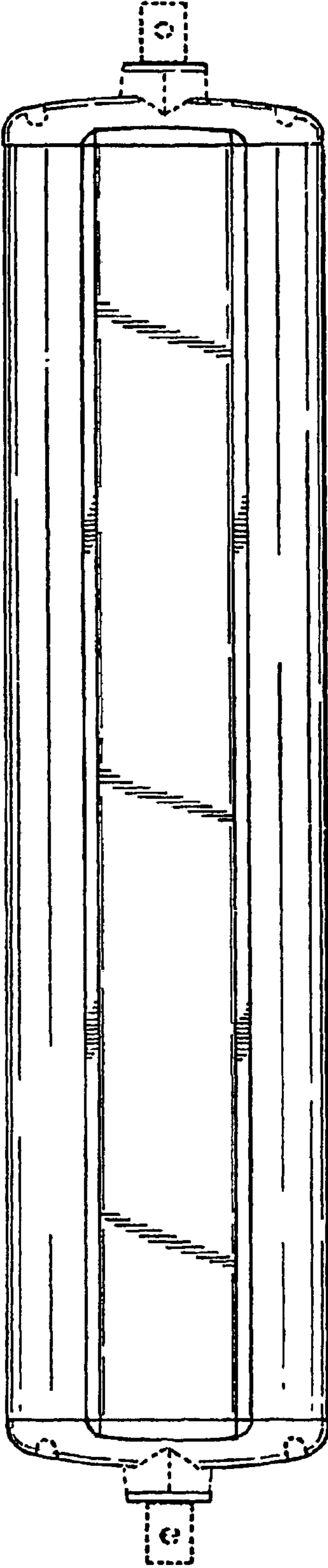


Fig. 7

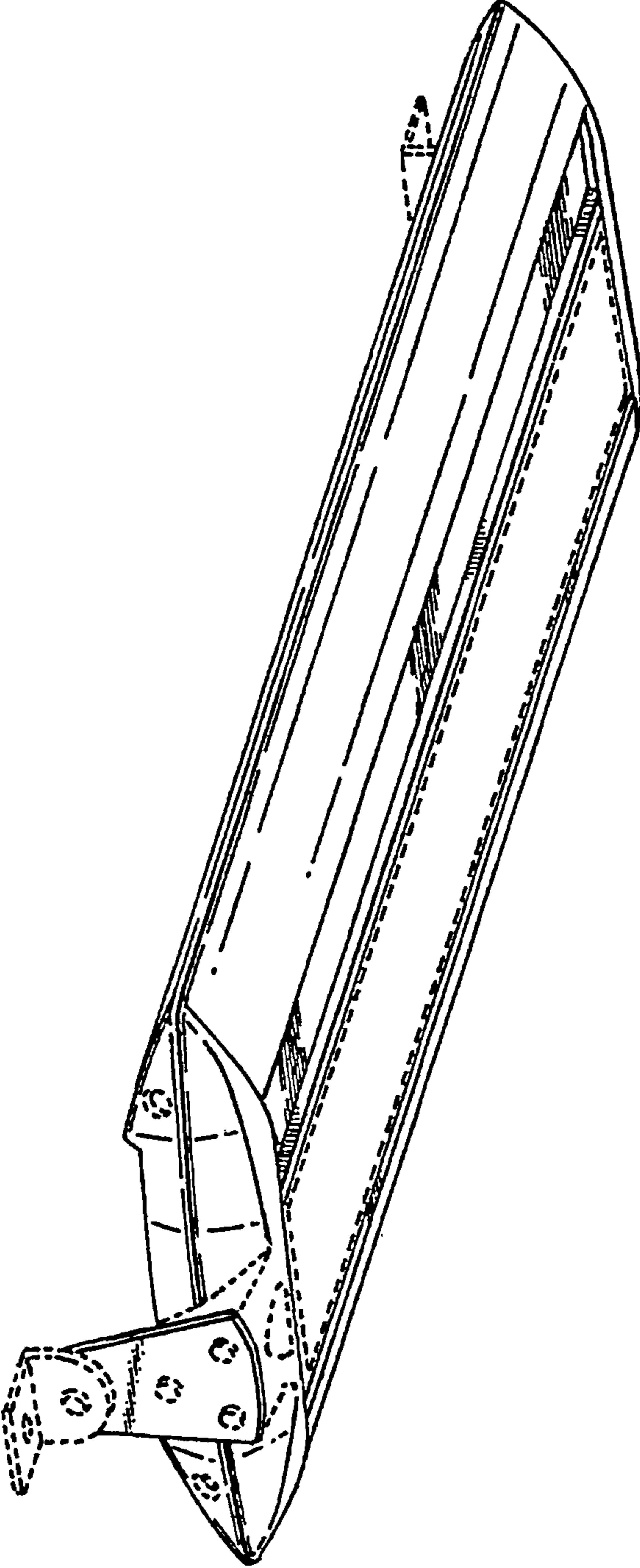


Fig. 8