



US00D730562S

(12) **United States Design Patent**  
**Blackman**

(10) **Patent No.:** **US D730,562 S**

(45) **Date of Patent:** **\*\* May 26, 2015**

(54) **LIGHTING FIXTURE**

(71) Applicant: **Blackjack Lighting LLC**, Buffalo Grove, IL (US)

(72) Inventor: **Stephen Blackman**, Buffalo Grove, IL (US)

(73) Assignee: **BlackJack Lighting LLC**, Buffalo Grove, IL (US)

(\*\*) Term: **14 Years**

(21) Appl. No.: **29/501,332**

(22) Filed: **Sep. 3, 2014**

(51) **LOC (10) Cl.** ..... **26-03**

(52) **U.S. Cl.**  
USPC ..... **D26/88**

(58) **Field of Classification Search**  
CPC ..... F21W 2121/00; F21S 8/00; F21S 4/00  
USPC ..... D26/25, 80-92, 118; 362/147, 404-408  
See application file for complete search history.

(56) **References Cited**

U.S. PATENT DOCUMENTS

D125,317 S *	2/1941	Sabatini .....	D26/88
D557,445 S *	12/2007	Blum et al. ....	D26/88
D604,452 S *	11/2009	Smith .....	D26/118
D622,893 S *	8/2010	Nadell .....	D26/88
D656,664 S *	3/2012	Son .....	D26/118
D659,278 S *	5/2012	Sage et al. ....	D26/81
D660,503 S *	5/2012	Gilad .....	D26/88
D665,120 S *	8/2012	Damen et al. ....	D26/128
D675,371 S *	1/2013	Nowak .....	D26/128
D700,734 S *	3/2014	Chan .....	D26/88

D700,988 S *	3/2014	Koho .....	D26/88
D705,475 S *	5/2014	Kitts .....	D26/81
2002/0141184 A1 *	10/2002	Shieh .....	362/252

\* cited by examiner

*Primary Examiner* — Clare E Heflin

(74) *Attorney, Agent, or Firm* — Hinshaw & Culbertson LLP

(57) **CLAIM**

I claim the ornamental design for a lighting fixture, as shown and described.

**DESCRIPTION**

FIG. 1 is a bottom perspective view of the lighting fixture of the invention.

FIG. 2 is an elevation view of the lighting fixture of the invention.

FIG. 3 is a bottom plan view of the lighting fixture.

FIG. 4 is a top perspective view of the lighting fixture.

FIG. 5 is a top plan view of the lighting fixture.

FIG. 6 is a bottom perspective view of an alternative embodiment of the lighting fixture of the invention.

FIG. 7 is an elevation view of the lighting fixture of FIG. 6.

FIG. 8 is a bottom plan view of the lighting fixture of FIG. 6.

FIG. 9 is a top perspective view of the lighting fixture of FIG. 6.

FIG. 10 is a top plan view of the lighting fixture of FIG. 6.

FIG. 11 is a bottom perspective view of another alternative embodiment of the lighting fixture of the invention.

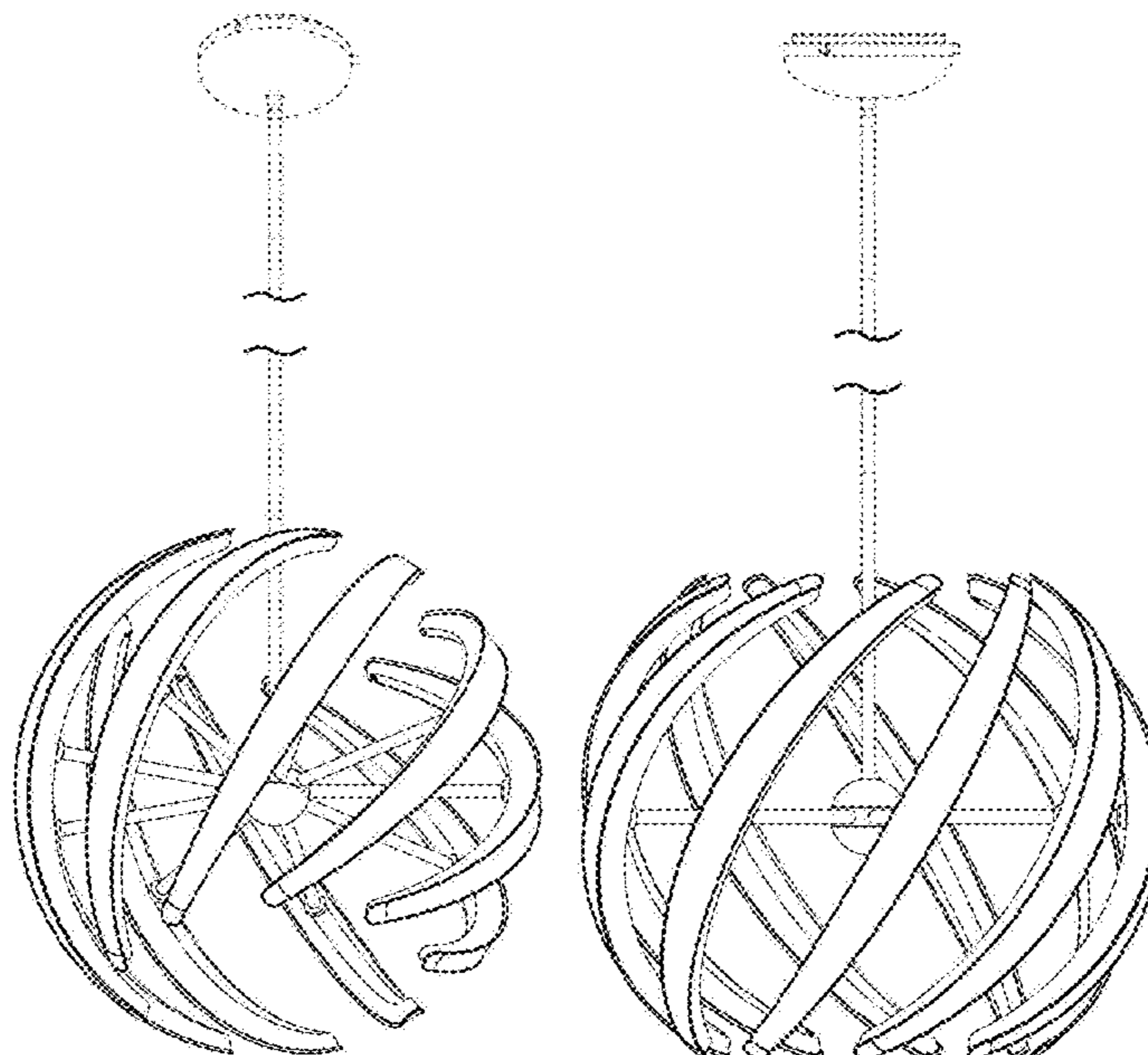
FIG. 12 is an elevation view of the lighting fixture of FIG. 11.

FIG. 13 is a bottom plan view of the lighting fixture of FIG. 11.

FIG. 14 is a top perspective view of the lighting fixture of FIG. 11; and,

FIG. 15 is a top plan view of the lighting fixture of FIG. 11. The broken lines are for illustrative purposes only and form no part of the claimed design.

**1 Claim, 15 Drawing Sheets**



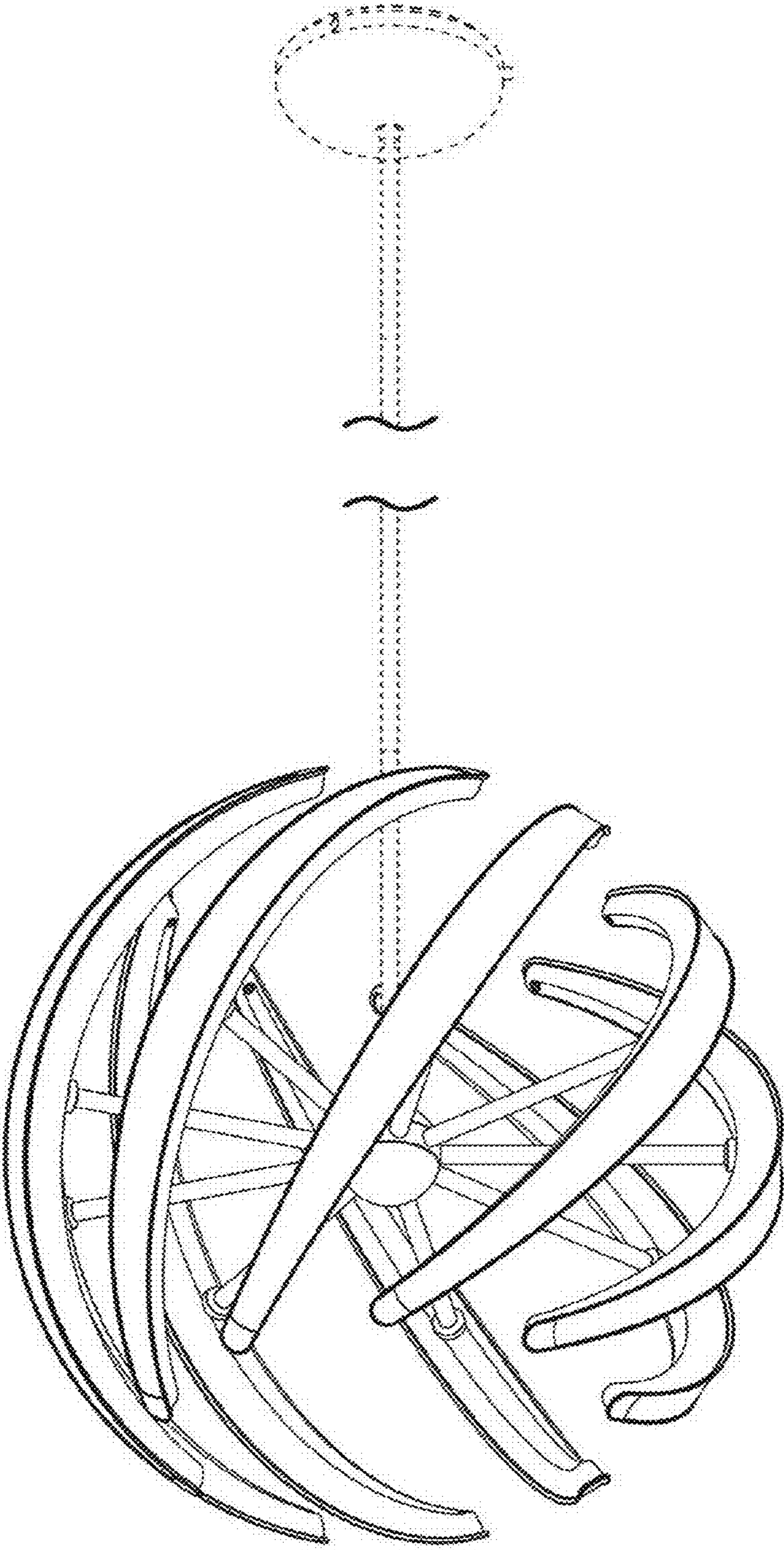


FIG. 1



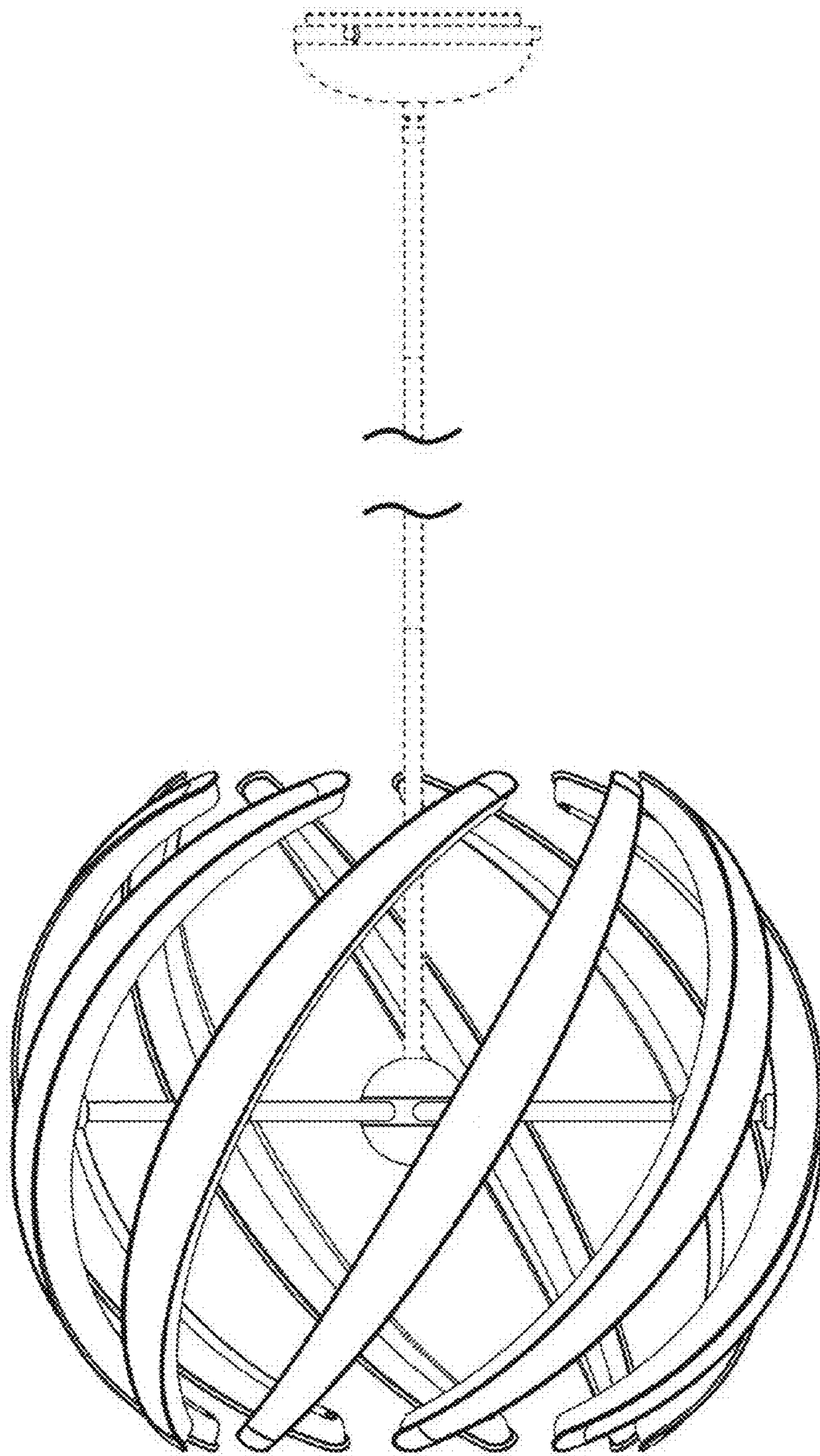


FIG. 2

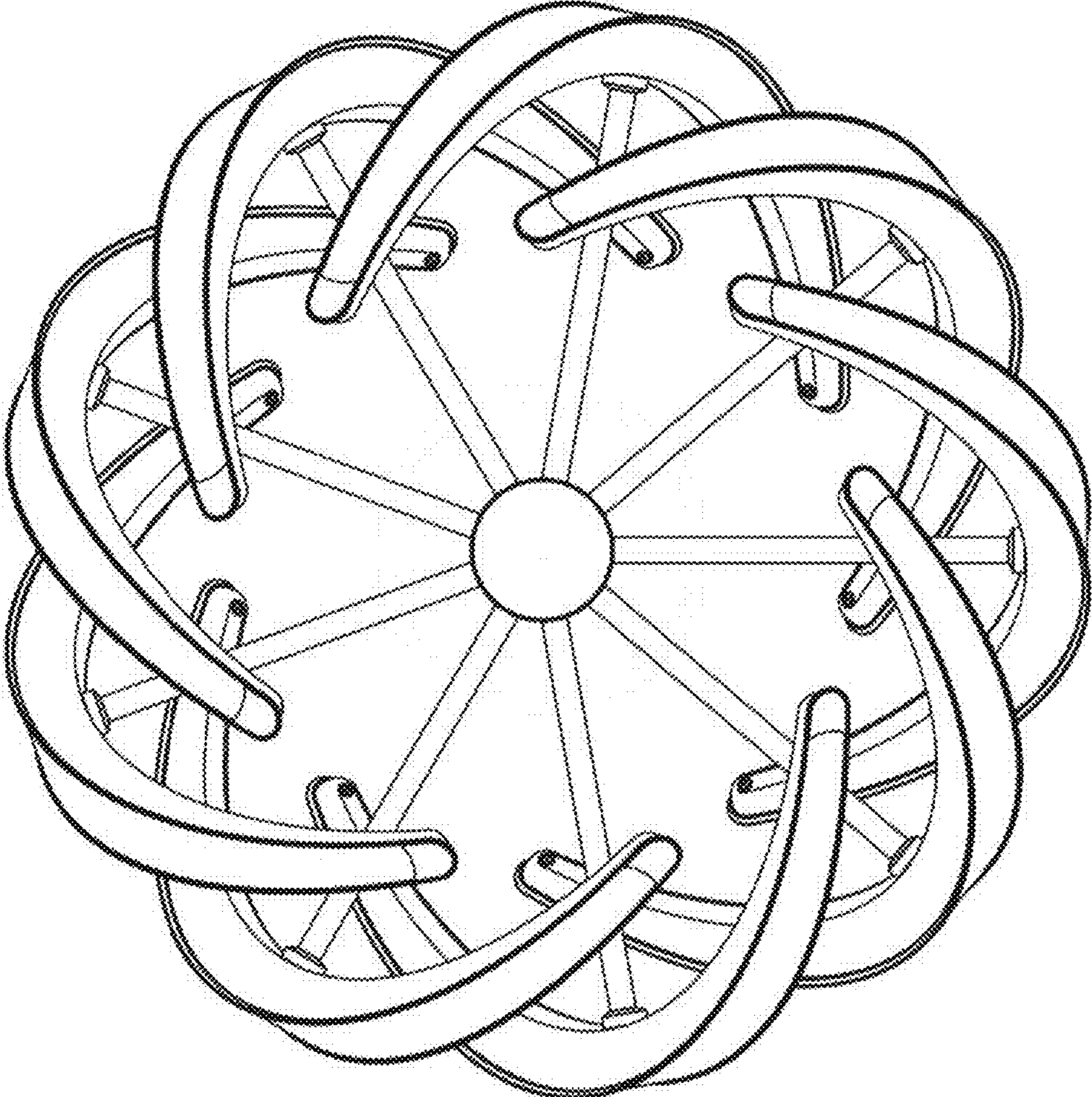


FIG. 3



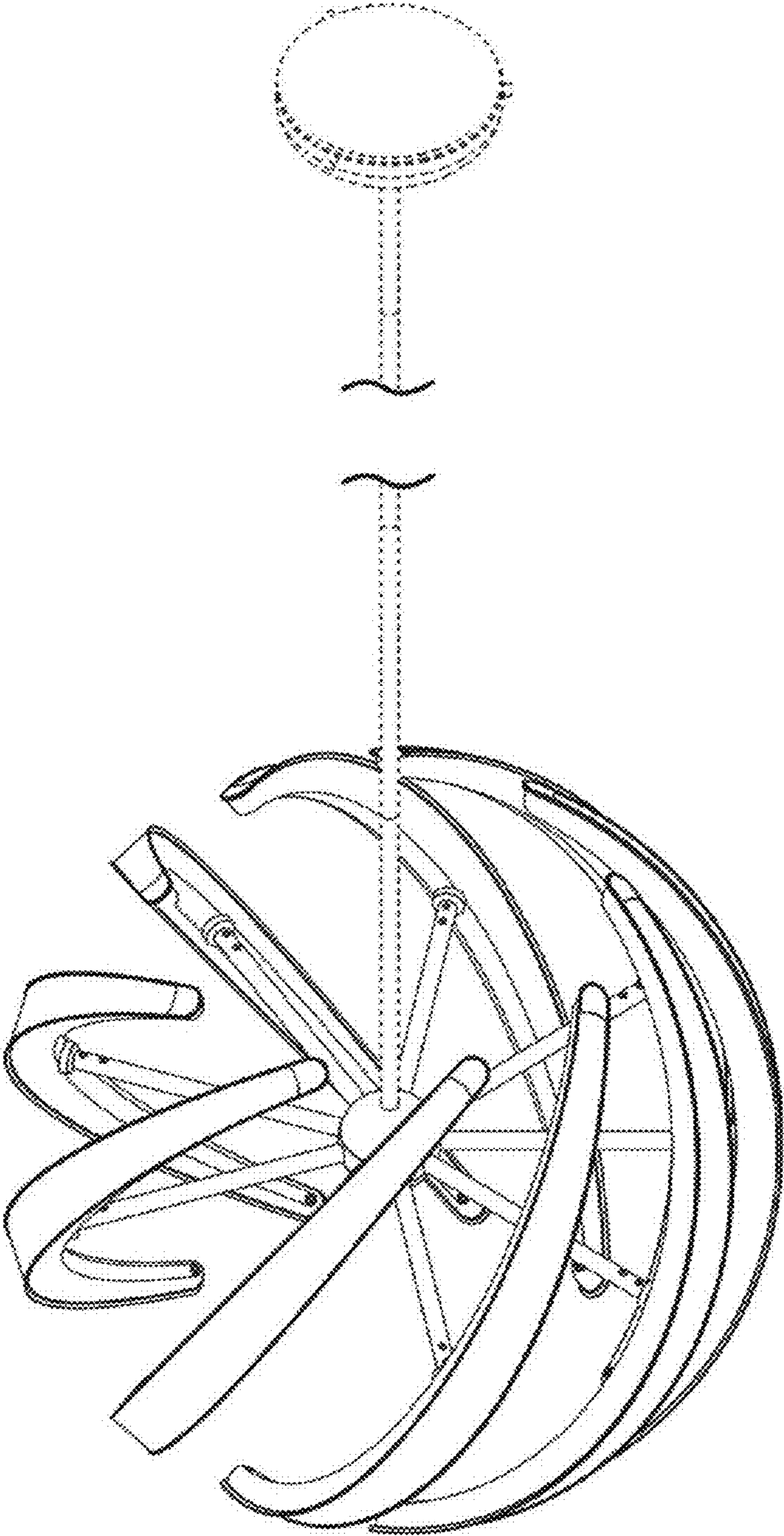


FIG. 4

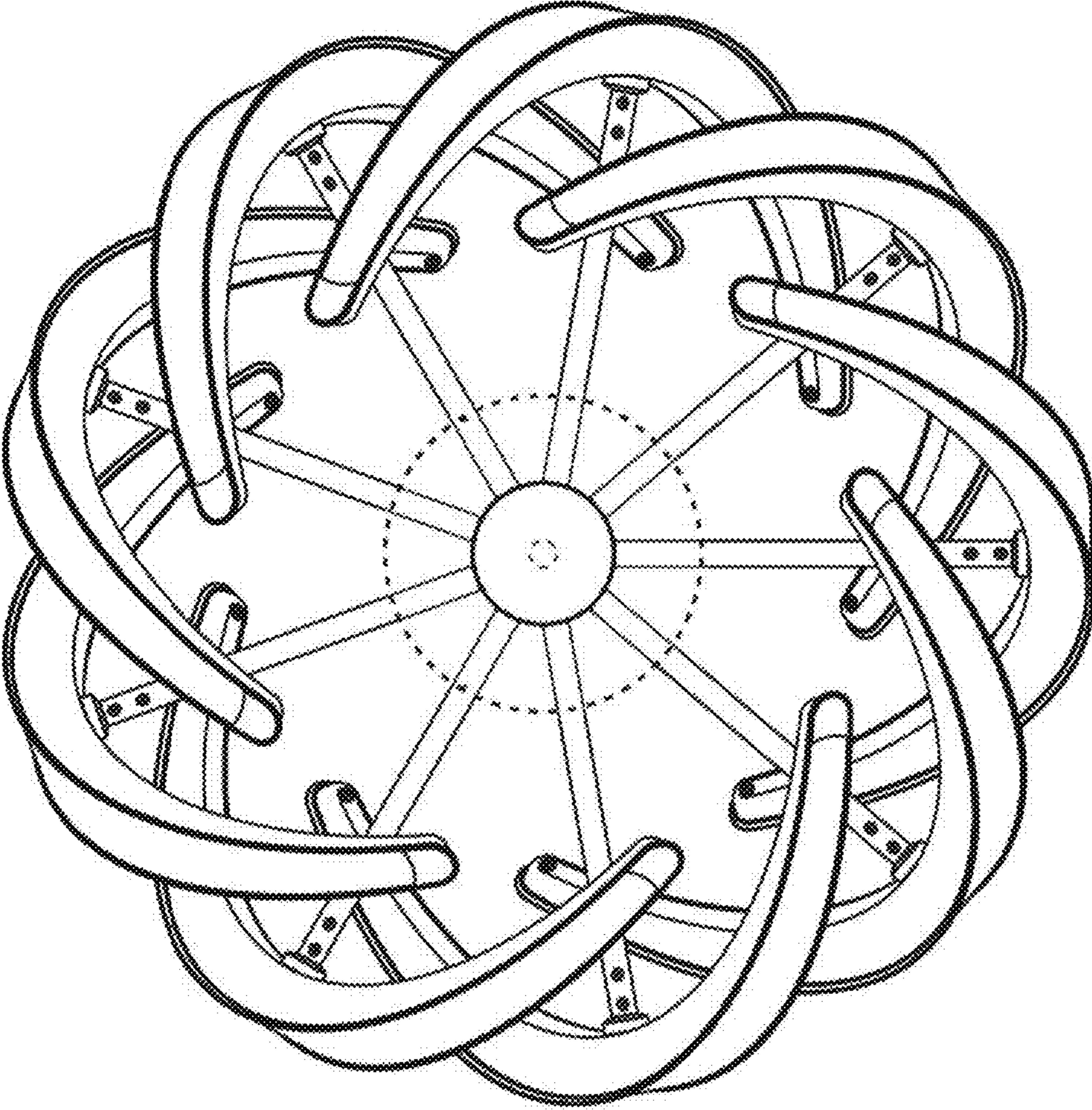


FIG. 5

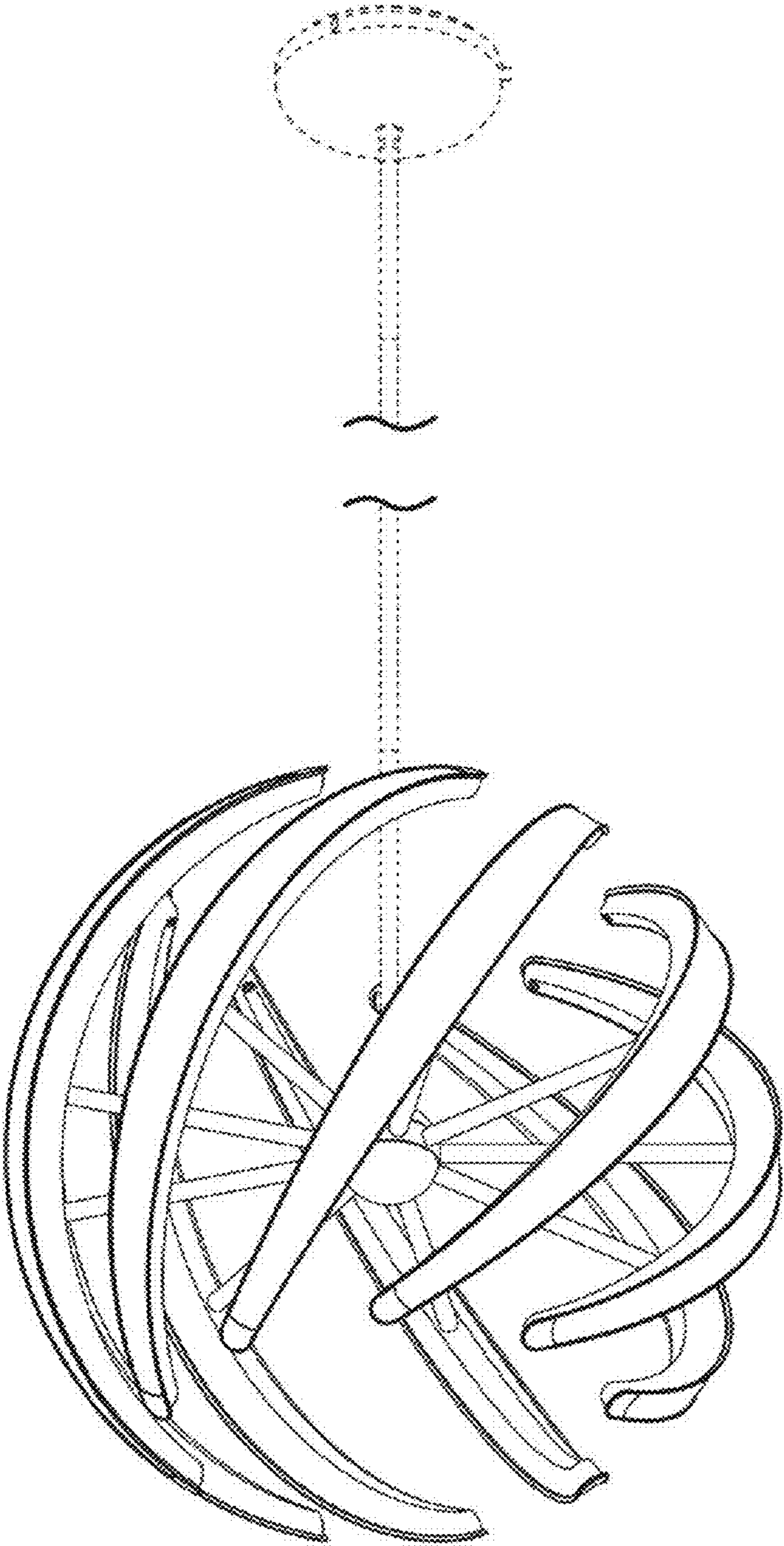


FIG. 6



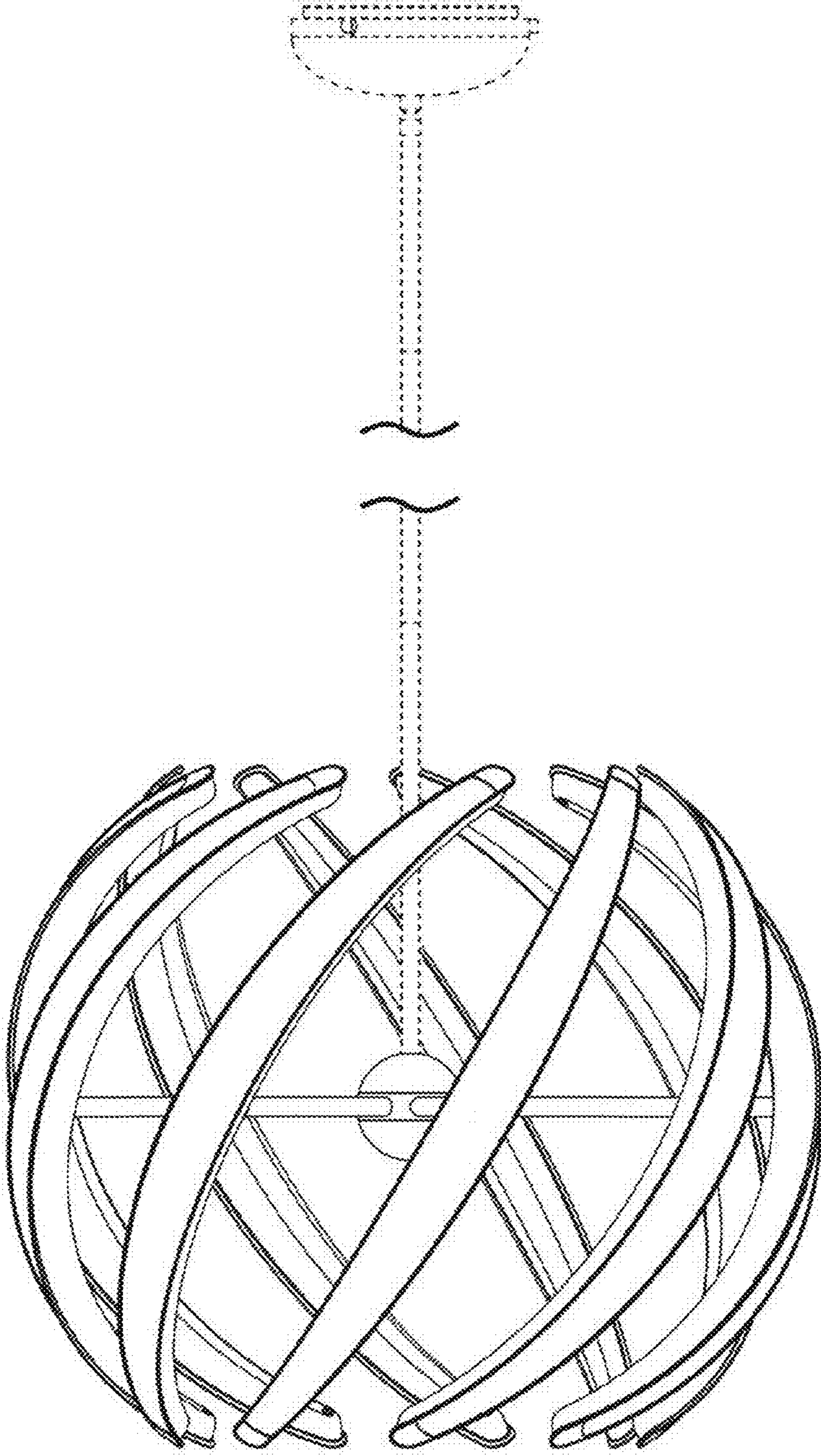


FIG. 7



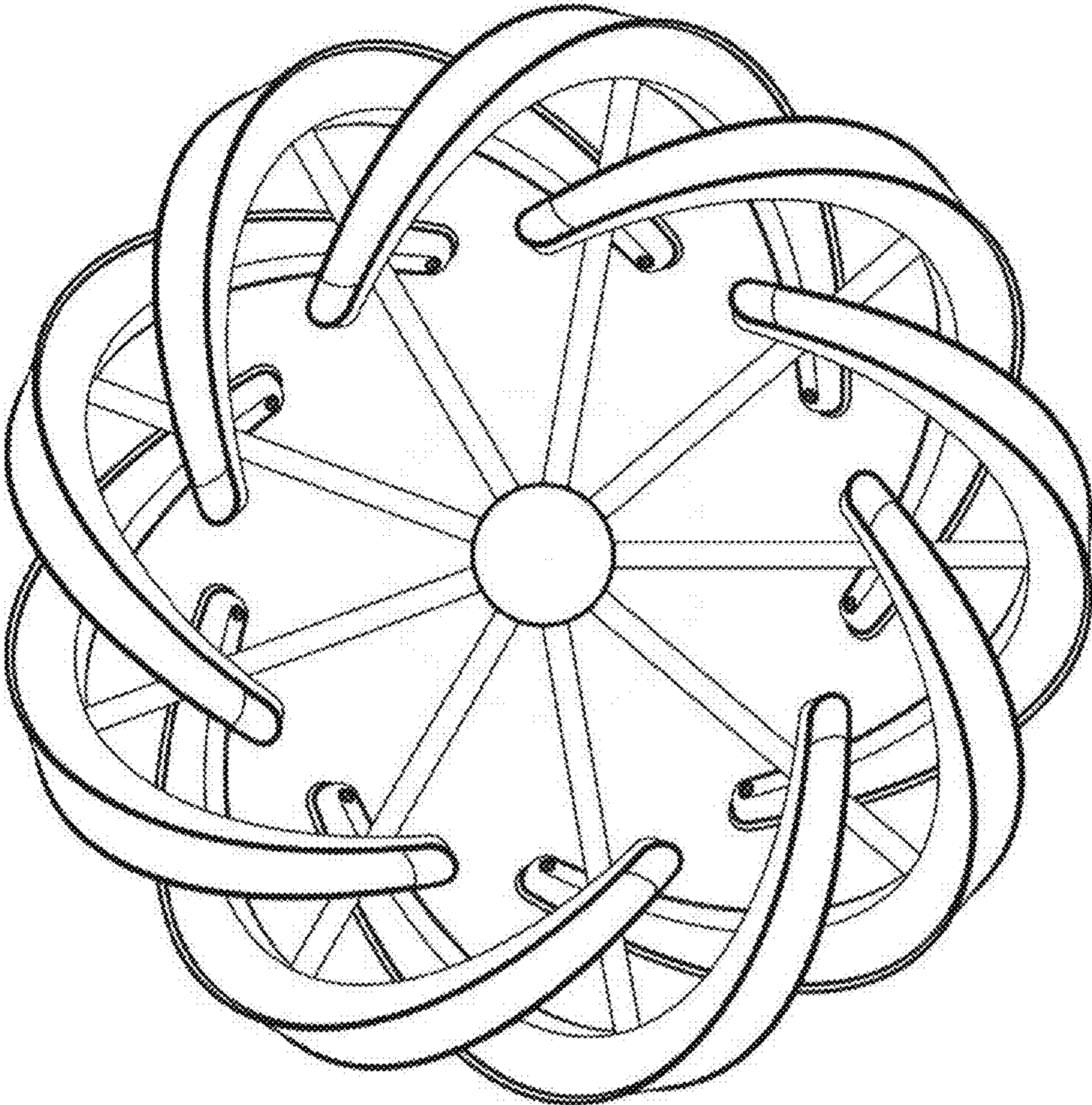


FIG. 8

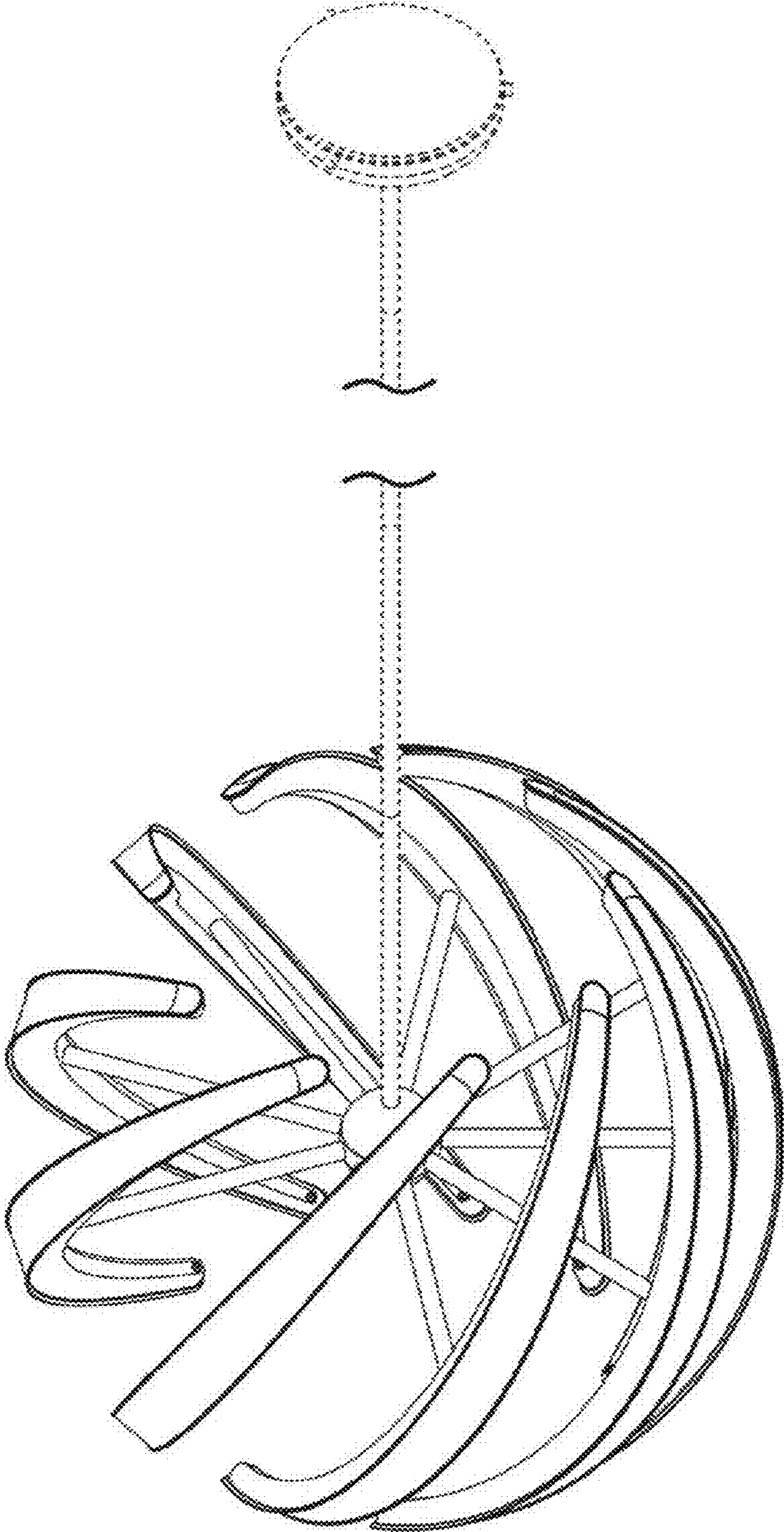


FIG. 9



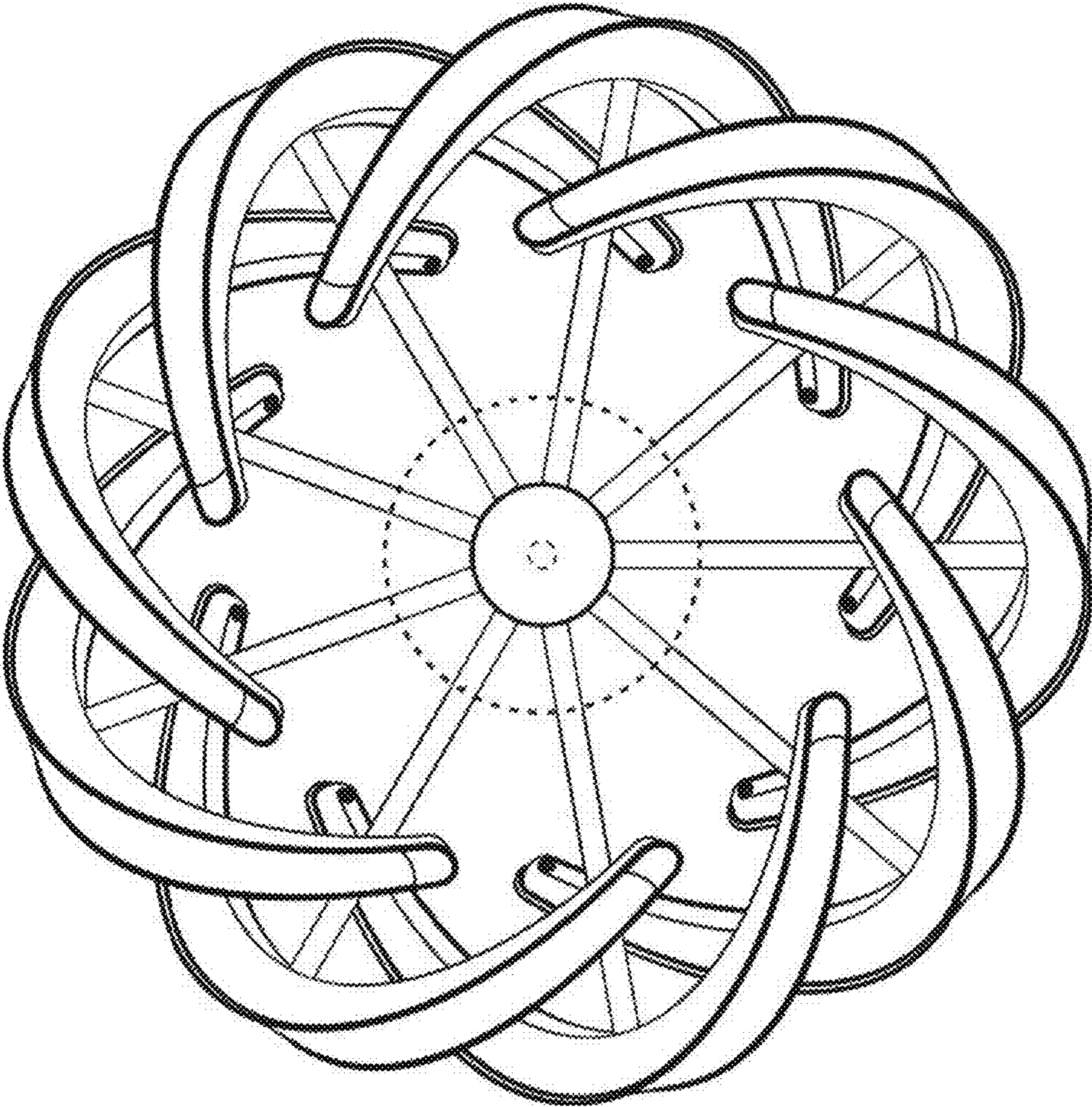


FIG. 10

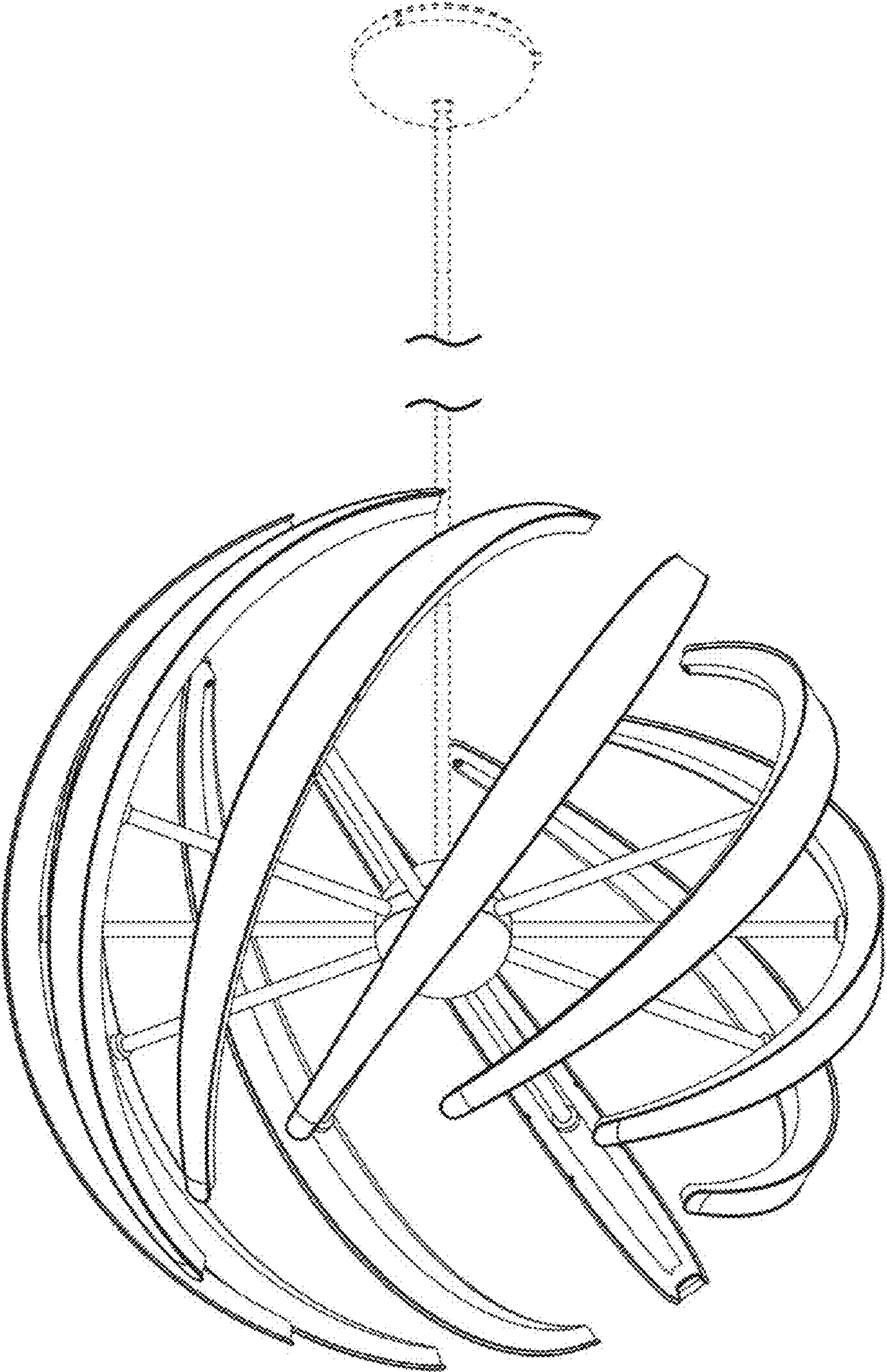


FIG. 11



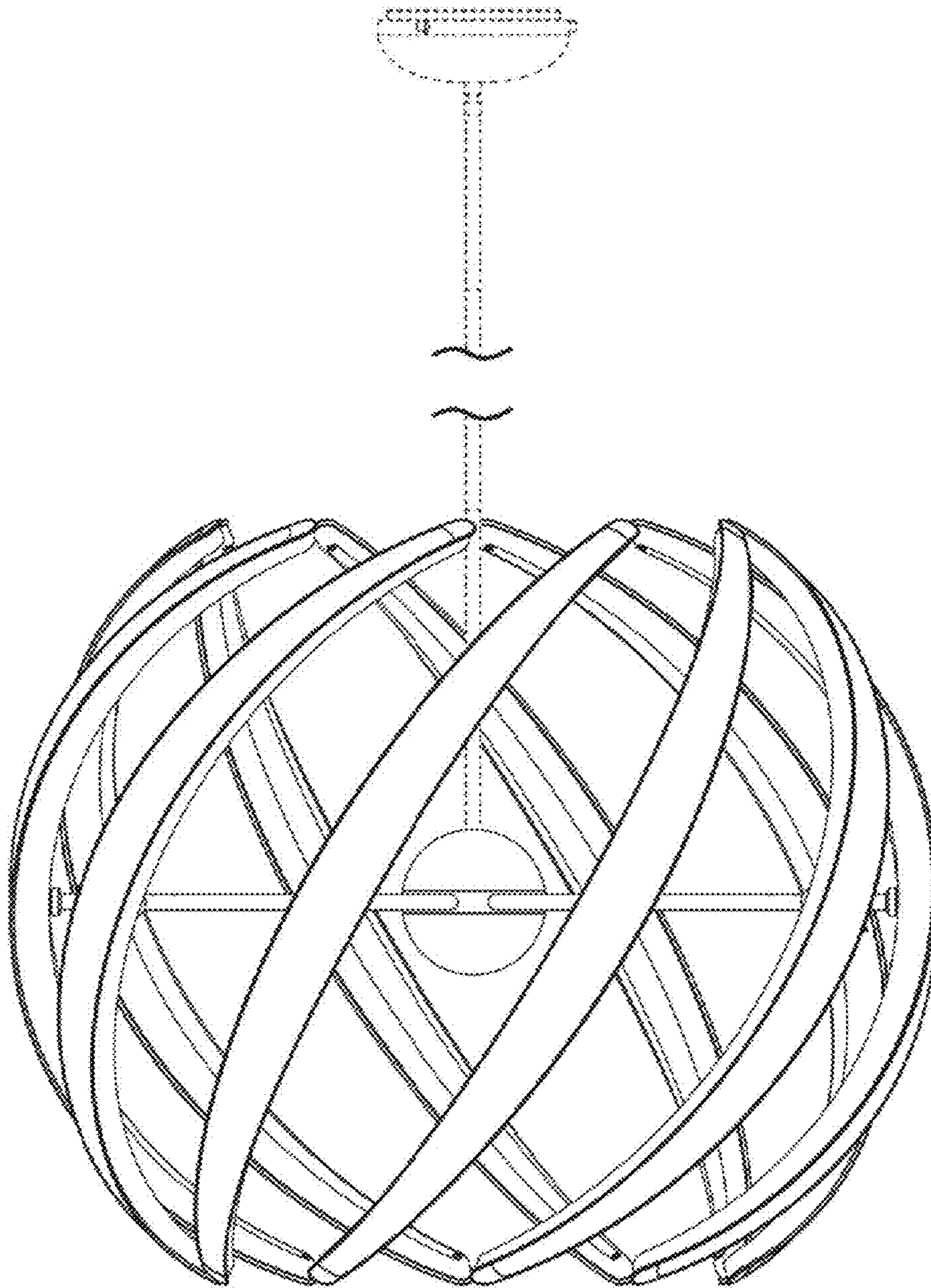


FIG. 12

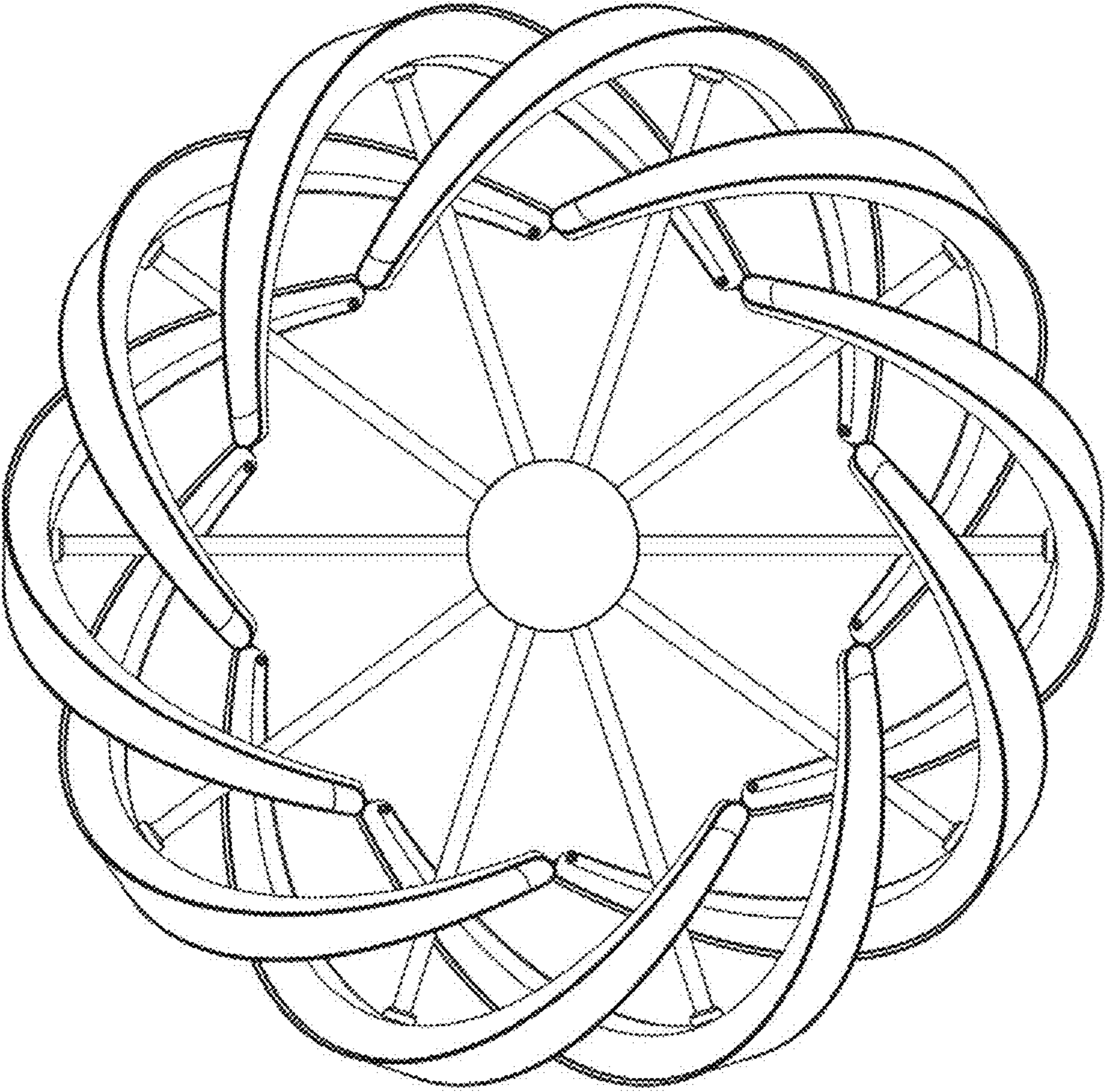


FIG. 13



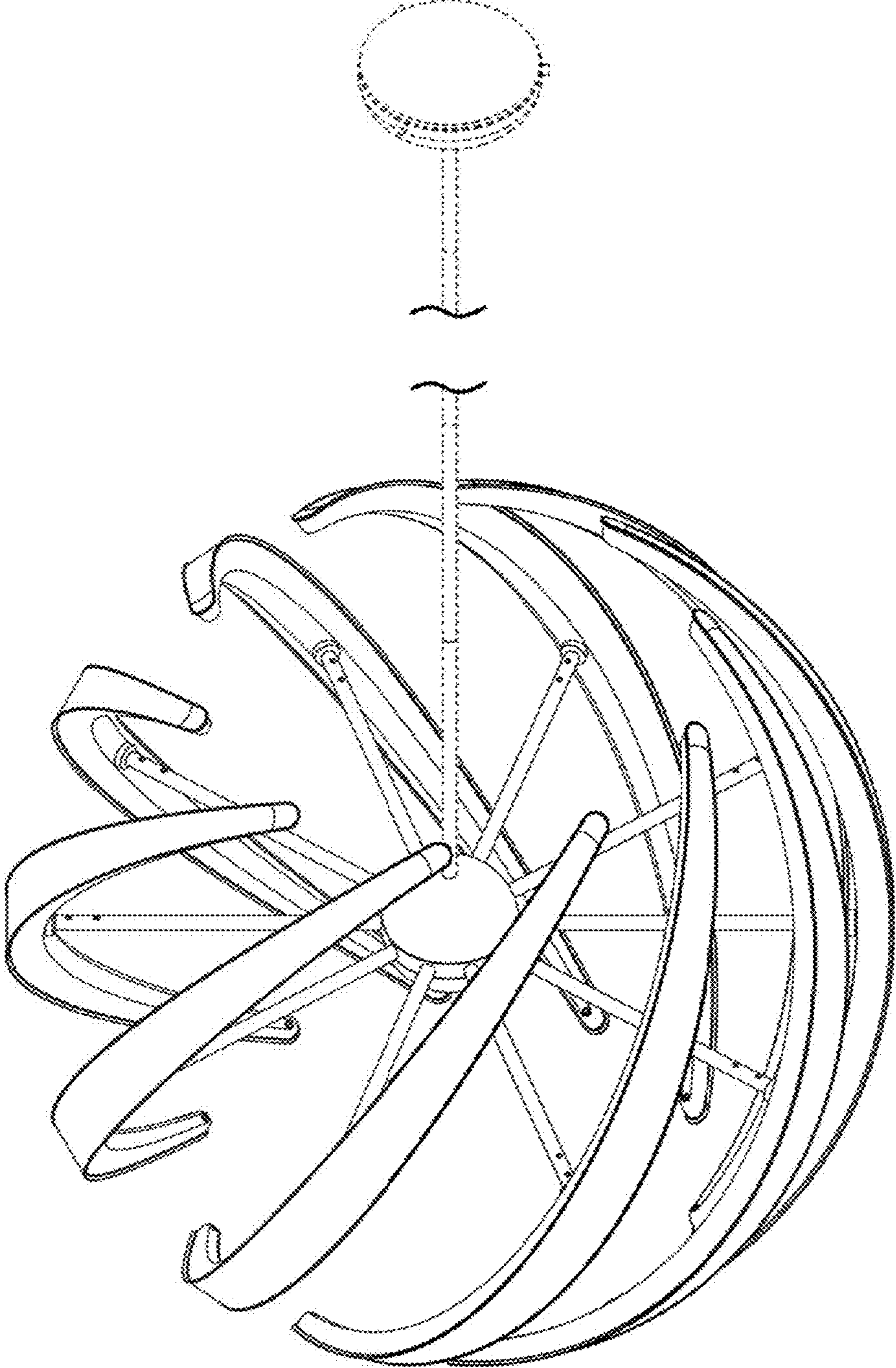


FIG. 14

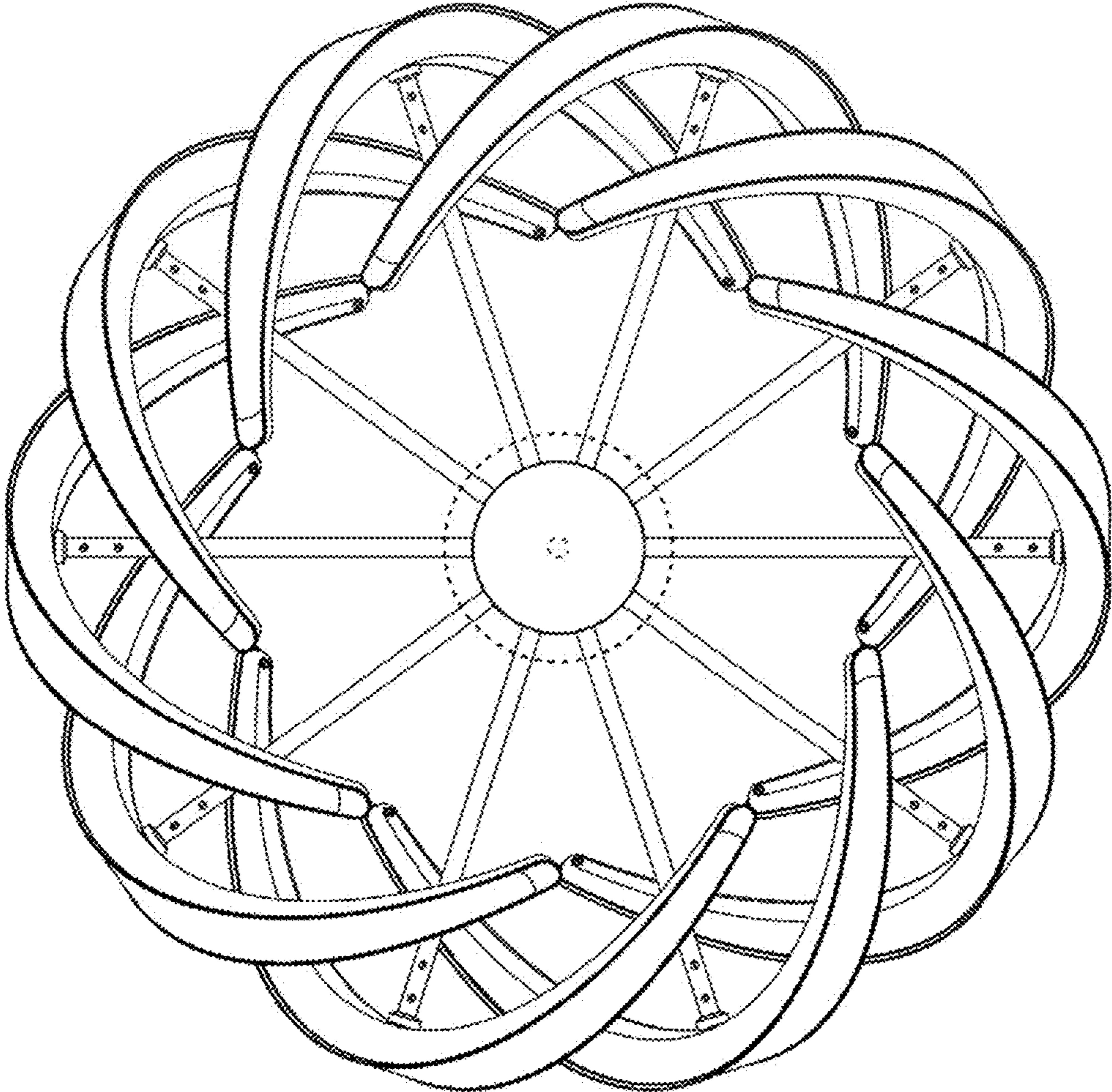


FIG. 15