



US00D730561S

(12) **United States Design Patent**
Loebach

(10) **Patent No.:** **US D730,561 S**

(45) **Date of Patent:** **** May 26, 2015**

(54) **LIGHTING DEVICE**

(71) Applicant: **Paul Loebach**, Brooklyn, NY (US)

(72) Inventor: **Paul Loebach**, Brooklyn, NY (US)

(**) Term: **14 Years**

(21) Appl. No.: **29/499,957**

(22) Filed: **Aug. 20, 2014**

(51) **LOC (10) Cl.** **26-03**

(52) **U.S. Cl.**
USPC **D26/88**; D26/84

(58) **Field of Classification Search**
CPC F21W 2121/00; F21S 8/00; F21S 4/00
USPC D26/25, 80–92, 118; 362/147, 404–408
See application file for complete search history.

(56) **References Cited**

U.S. PATENT DOCUMENTS

640,585	A *	1/1900	Palmer	362/232
653,577	A *	7/1900	Bier	D26/82
D51,983	S *	4/1918	Guth	D26/88
D212,776	S *	11/1968	Renaud	D26/88
D557,440	S *	12/2007	Hsu	D26/83
D570,030	S *	5/2008	Starck	D26/88
D574,546	S *	8/2008	Morrison	D26/88
D620,632	S *	7/2010	Wanders	D26/88
D641,096	S *	7/2011	Markle et al.	D26/88
D644,777	S *	9/2011	Raggi	D26/81
D674,530	S *	1/2013	Wanders	D26/88
D715,986	S *	10/2014	Anastassiades	D26/88

* cited by examiner

Primary Examiner — Clare E Hefflin

(74) *Attorney, Agent, or Firm* — Brian B. Shaw, Esq.; Timothy W. Menasco, Esq.; Harter Secrest & Emery LLP

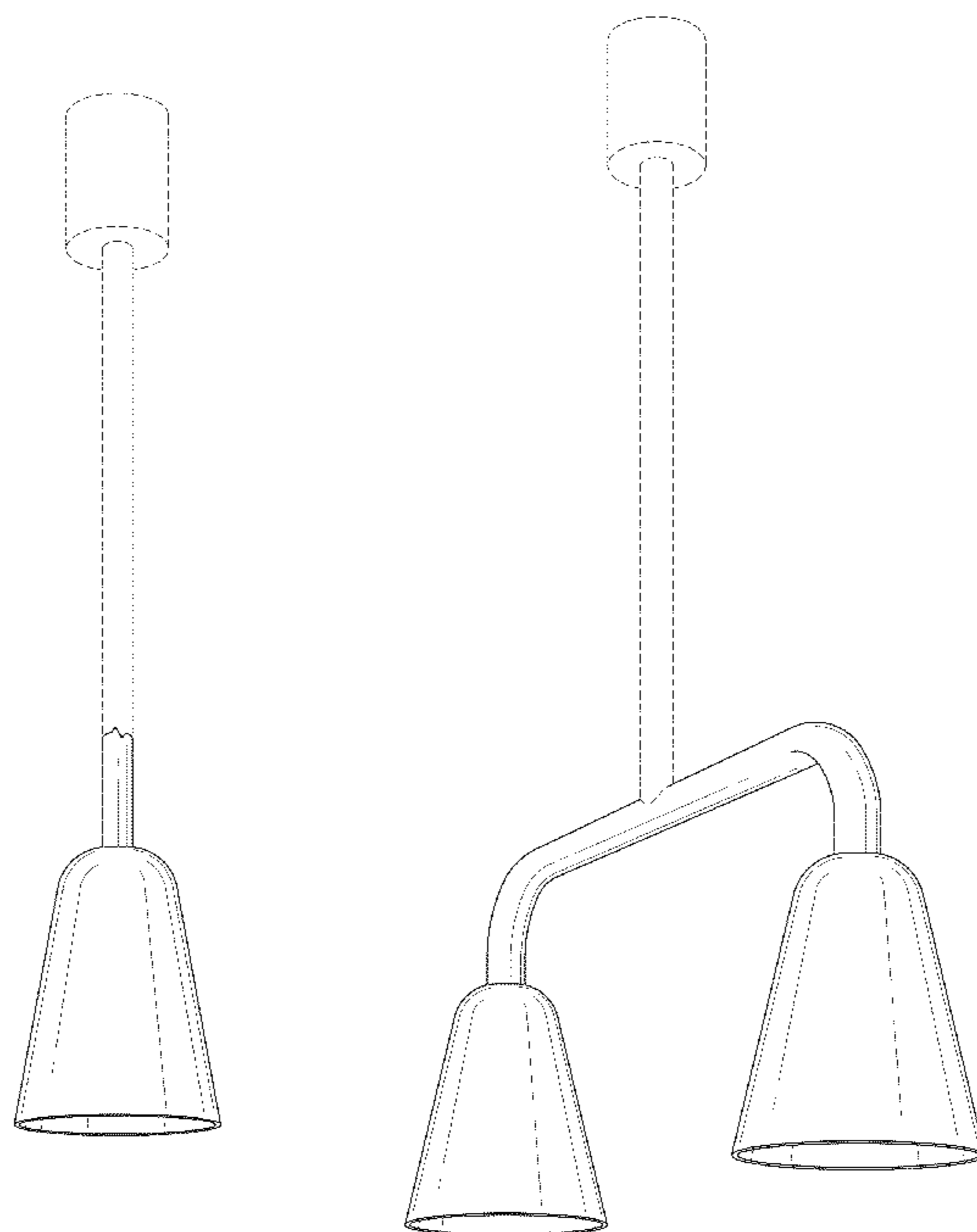
(57) **CLAIM**

The ornamental design for a lighting device, as shown and described.

DESCRIPTION

FIG. 1 is a front side perspective view of a lighting device in accordance with the present invention;
 FIG. 2 is a top view thereof;
 FIG. 3 is a bottom view thereof;
 FIG. 4 is a rear view thereof, a front view being the mirror image thereof;
 FIG. 5 is a right side view thereof, a left side view being the mirror image thereof;
 FIG. 6 is a perspective view of an alternative embodiment of a lighting device in accordance with the present invention;
 FIG. 7 is a top view of the alternative embodiment of a lighting device in accordance with the present invention;
 FIG. 8 is a bottom view of the alternative embodiment of a lighting device in accordance with the present invention;
 FIG. 9 is a front side view of the alternative embodiment of a lighting device in accordance with the present invention;
 FIG. 10 is a rear view of the alternative embodiment of a lighting device in accordance with the present invention;
 FIG. 11 is a left side view of the alternative embodiment of a lighting device in accordance with the present invention; and,
 FIG. 12 is a right side view of the alternative embodiment of a lighting device in accordance with the present invention.
 The lighting device is not limited to the scale shown herein. The broken lines of the Figures are for illustrative purposes only and form no part of the claimed design.

1 Claim, 7 Drawing Sheets



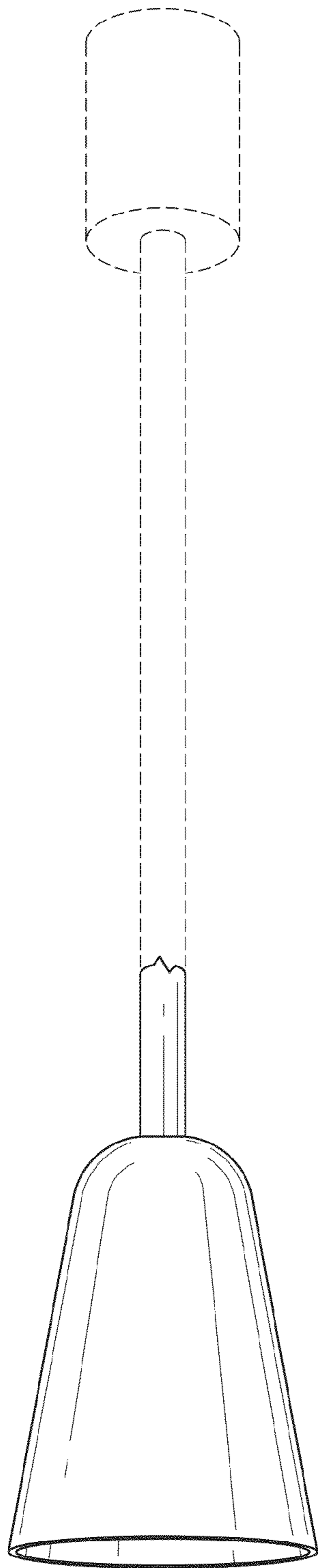


FIG. 1

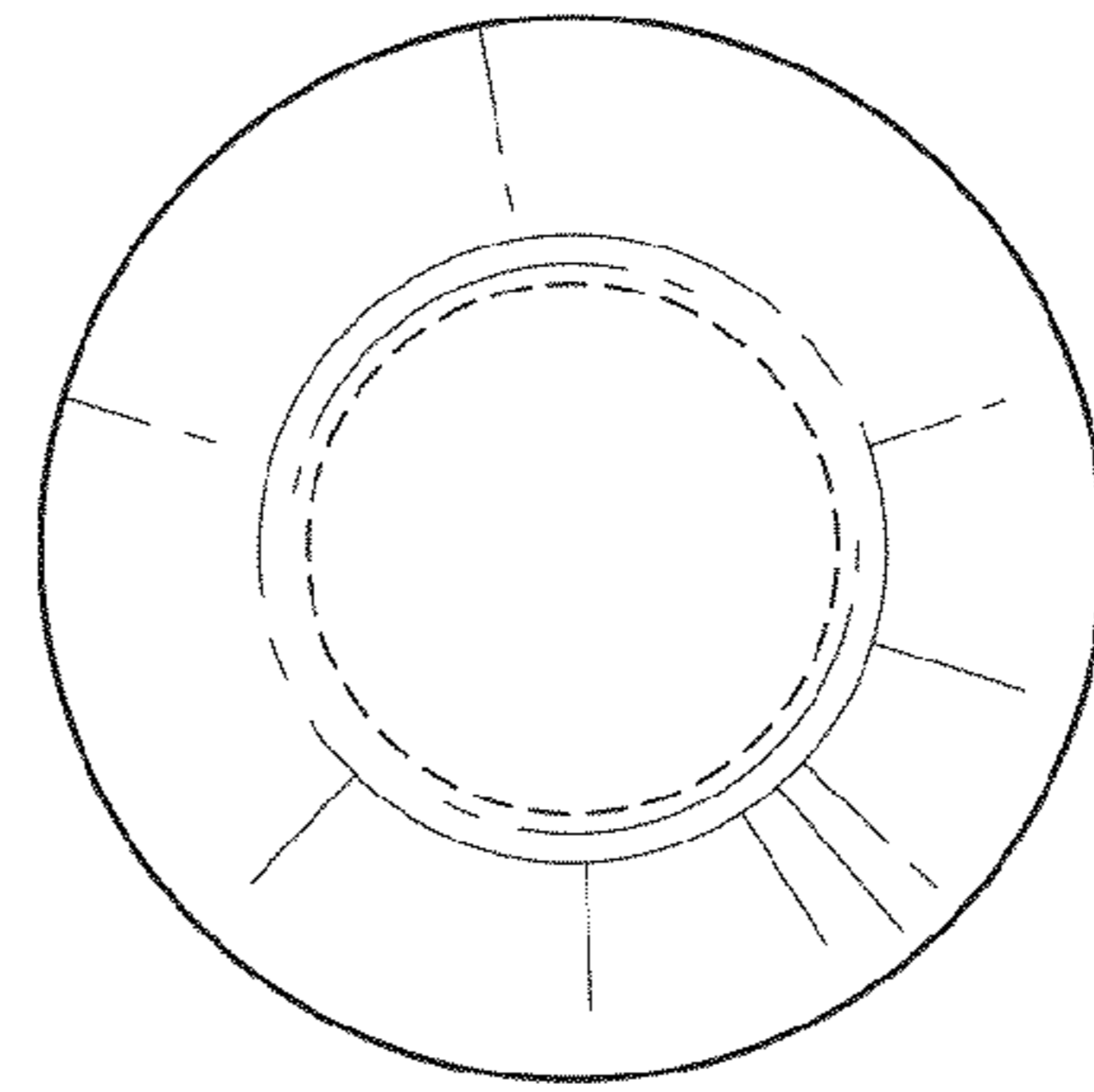


FIG. 2

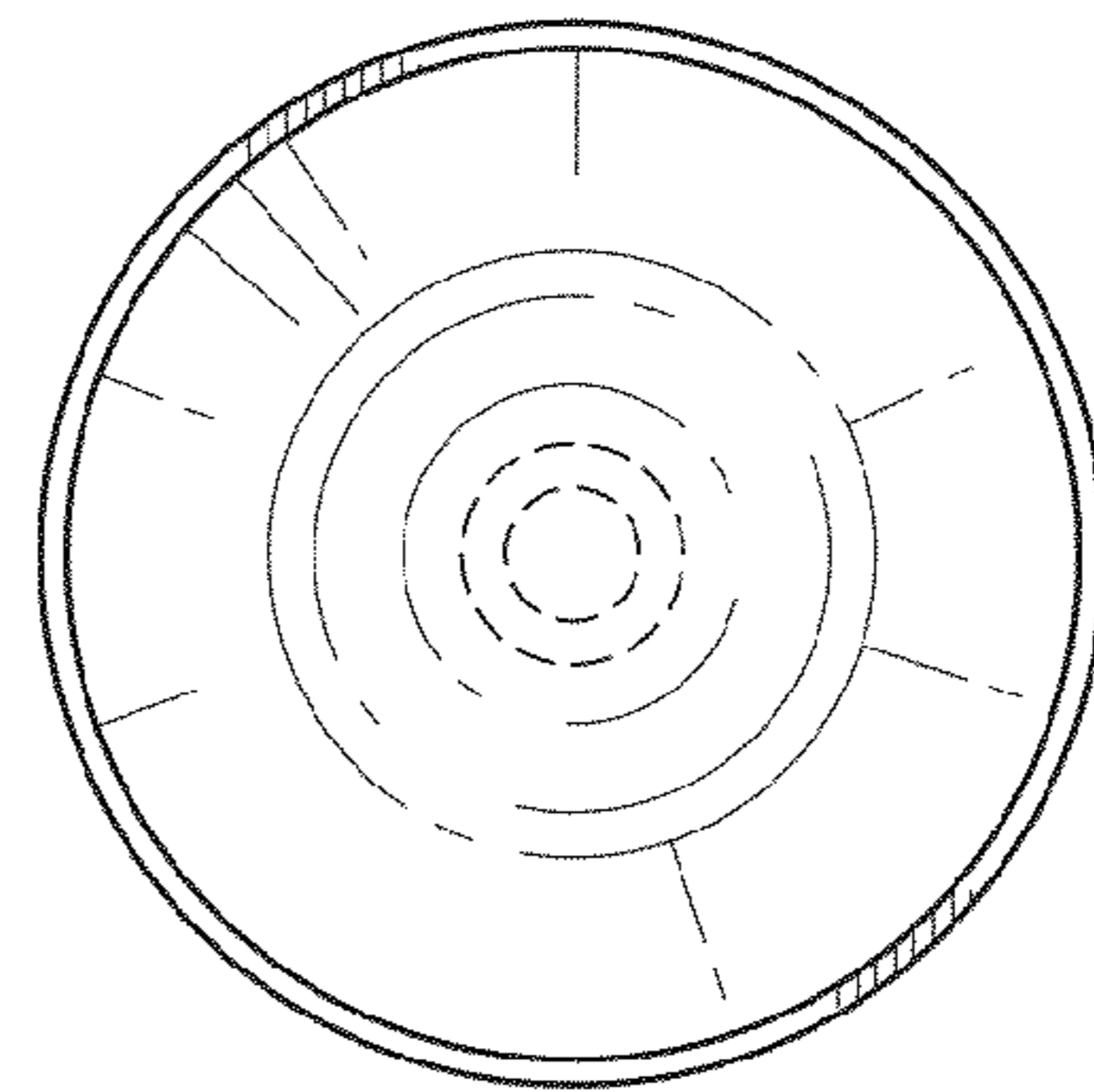


FIG. 3

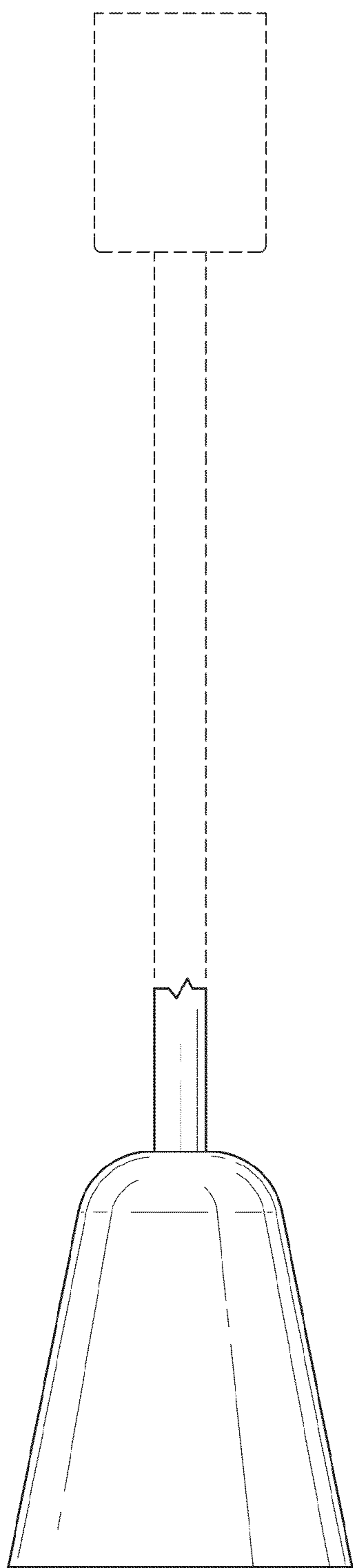


FIG. 4

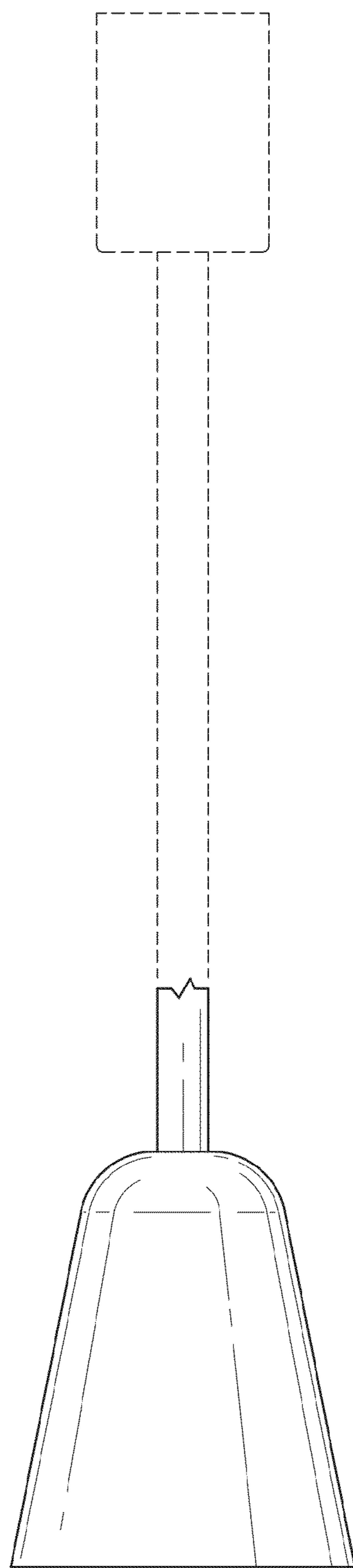
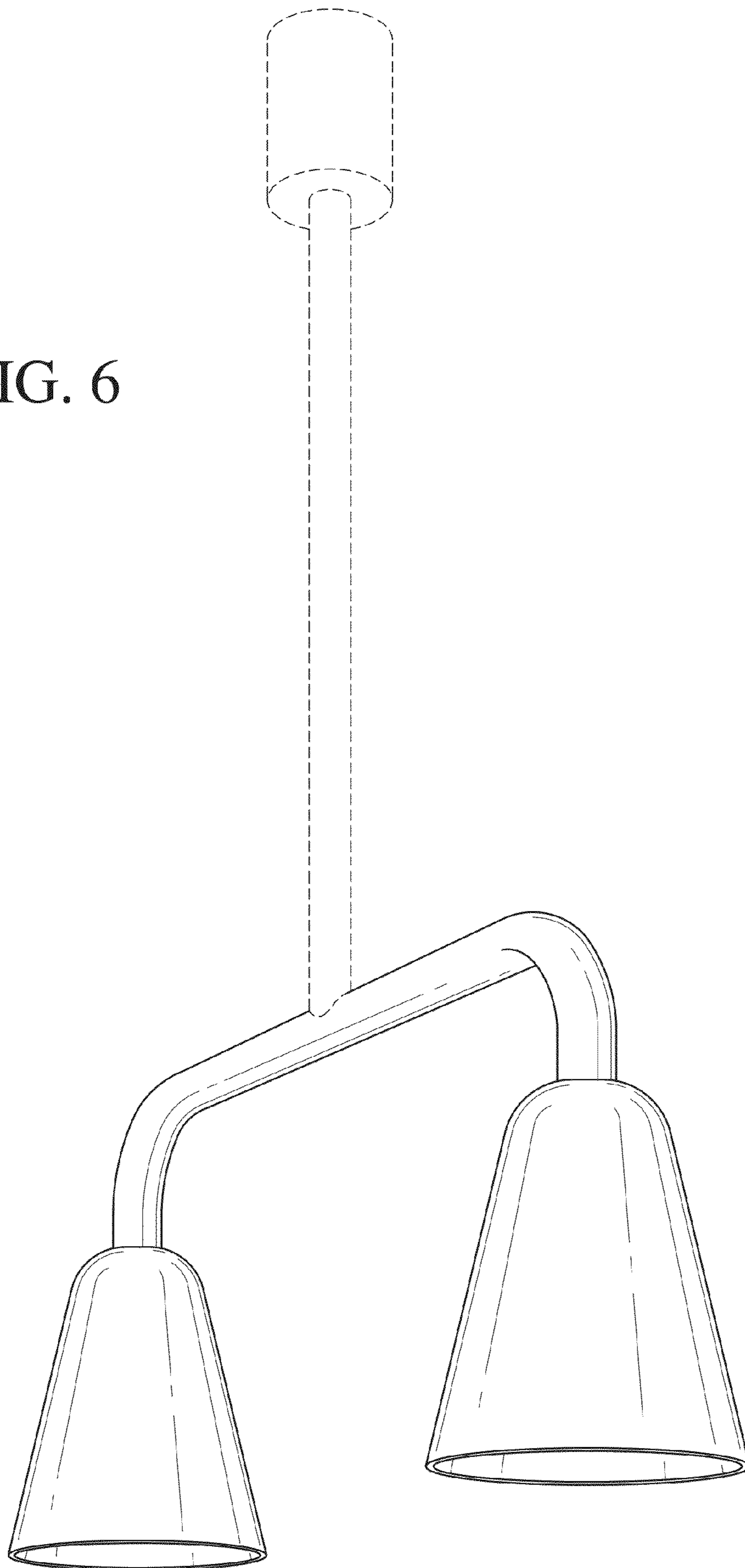


FIG. 5

FIG. 6



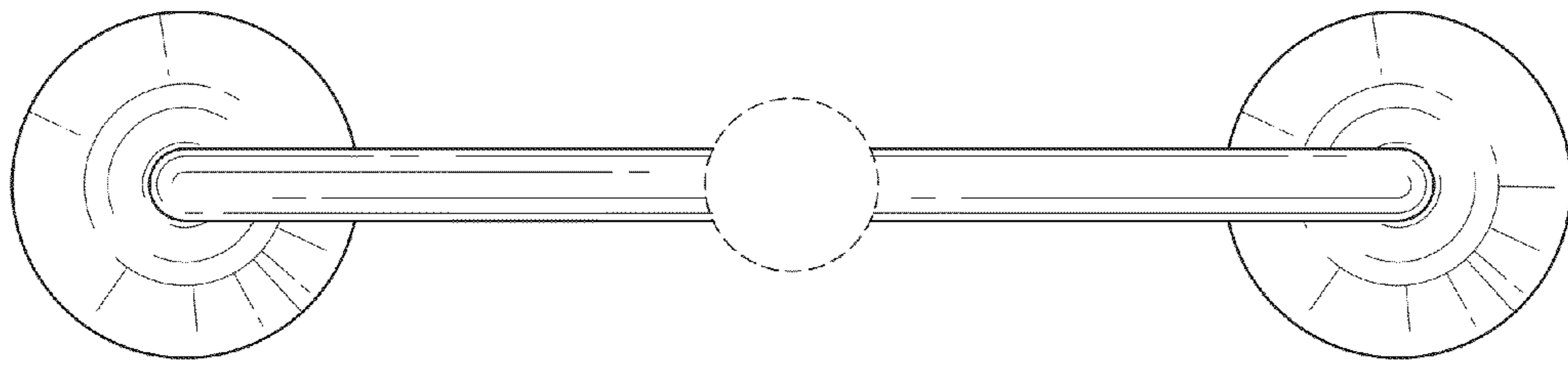


FIG. 7

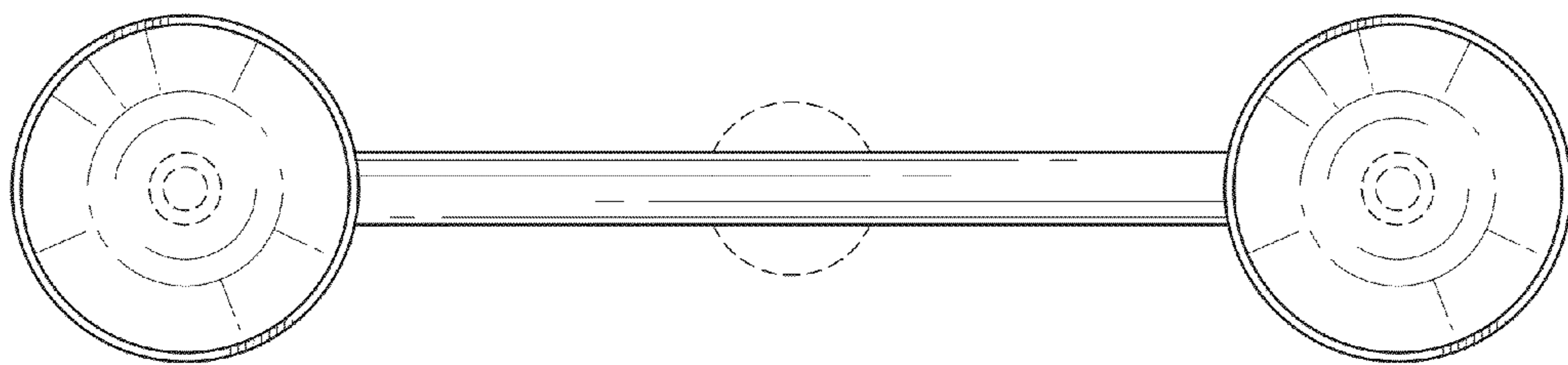


FIG. 8

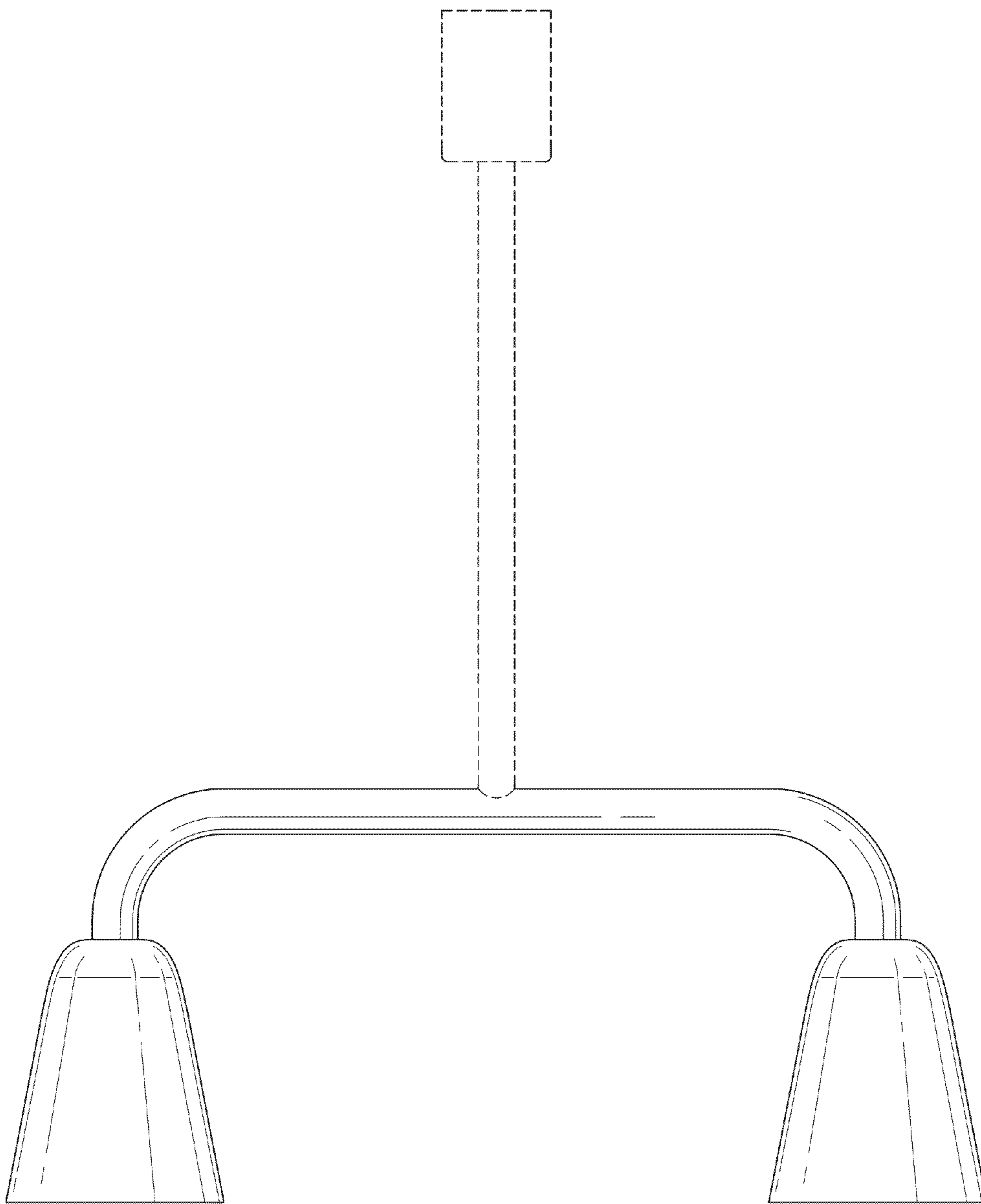


FIG. 9

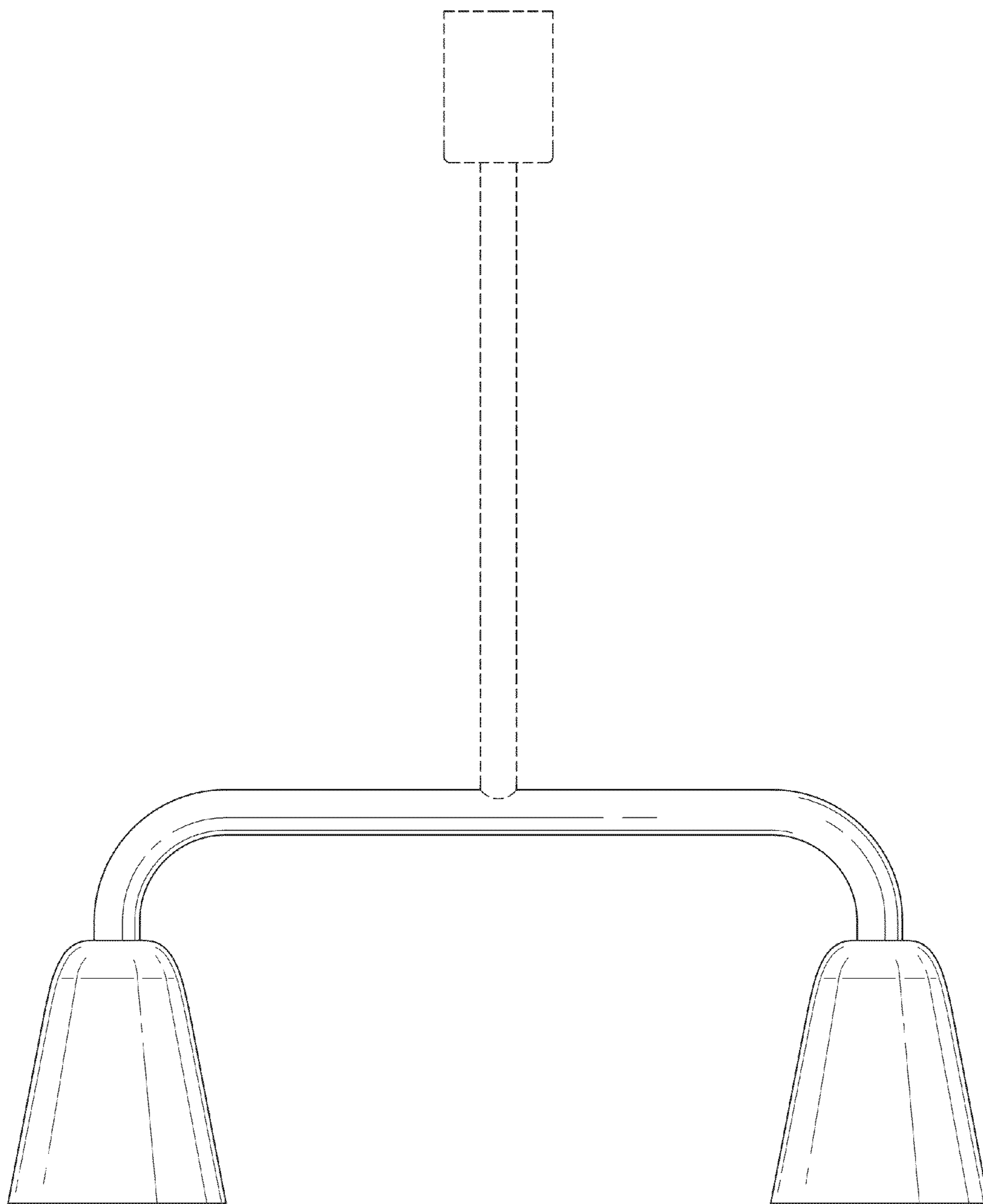


FIG. 10

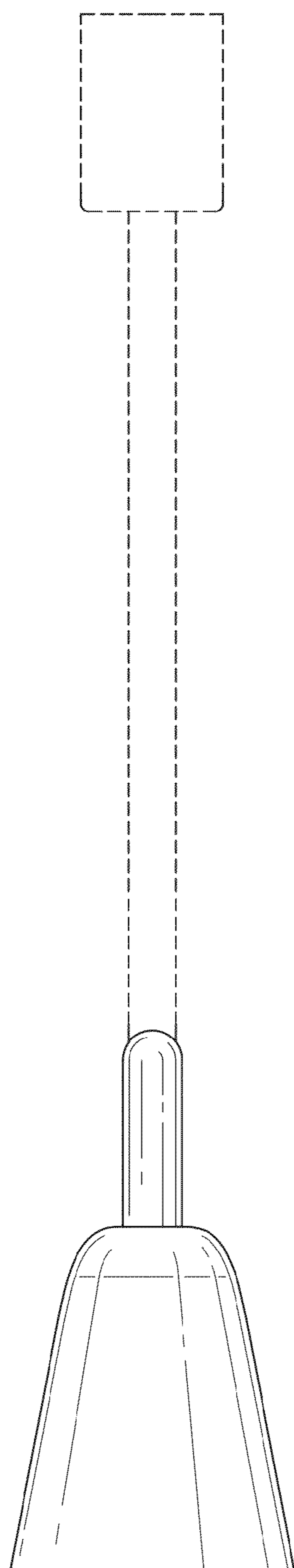


FIG. 11

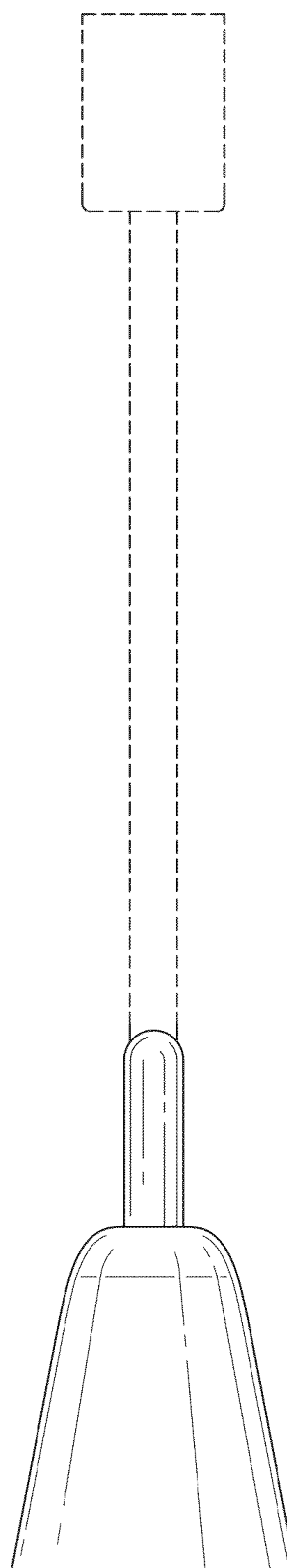


FIG. 12