



US00D730558S

(12) **United States Design Patent**
Dungan et al.

(10) **Patent No.:** **US D730,558 S**

(45) **Date of Patent:** **** May 26, 2015**

(54) **LINEAR FULL WRAP LIGHT FIXTURE**

(71) Applicant: **CREE, INC.**, Durham, NC (US)

(72) Inventors: **William Laird Dungan**, Cary, NC (US);
Nathan Snell, Raleigh, NC (US); **James Michael Lay**, Apex, NC (US); **Jennifer West**, Cary, NC (US); **Peter Lopez**, Cary, NC (US); **S. Scott Pratt**, Cary, NC (US)

(73) Assignee: **Cree, Inc.**, Durham, NC (US)

(**) Term: **14 Years**

(21) Appl. No.: **29/449,318**

(22) Filed: **Mar. 14, 2013**

(51) **LOC (10) Cl.** **26-03**

(52) **U.S. Cl.**
USPC **D26/76**

(58) **Field of Classification Search**
USPC D26/3, 24, 35, 39, 42, 71, 72, 75, 76,
D26/78, 79, 80, 81, 82, 83, 85, 88, 90, 118,
D26/119, 120, 121, 122, 138; 362/23.07,
362/23.09, 23.16, 217.01, 217.02, 217.05,
362/217.08, 217.09, 249.02, 260, 311.02,
362/555, 612, 614, 800

See application file for complete search history.

(56) **References Cited**

U.S. PATENT DOCUMENTS

D123,761	S	*	12/1940	Pieper	D26/24
D168,943	S	*	3/1953	Levaur	D26/78
D344,605	S	*	2/1994	Aspenwall	D26/76
D345,316	S	*	3/1994	Green et al.	D26/35
5,823,663	A		10/1998	Bell et al.		
6,210,025	B1		4/2001	Schmidt et al.		
D473,328	S	*	4/2003	Chelf	D26/3
D476,753	S	*	7/2003	Chelf et al.	D26/3
7,213,940	B1		5/2007	Lu et al.		
D603,078	S	*	10/2009	Noh	D26/76

D606,229	S	*	12/2009	Johansen et al.	D26/80
D607,599	S	*	1/2010	Zhou et al.	D26/80
7,722,220	B2		5/2010	Van de Ven et al.		

(Continued)

OTHER PUBLICATIONS

U.S. Appl. No. 13/649,052, filed Oct. 10, 2012, Lowes, et al.

(Continued)

Primary Examiner — Deanna L Pratt

Assistant Examiner — Natasha Vujcic

(74) *Attorney, Agent, or Firm* — Koppel, Patrick, Heybl & Philpott

(57) **CLAIM**

The ornamental design for a linear full wrap light fixture, as shown and described herein.

DESCRIPTION

FIG. 1 is a front perspective view of a lighting fixture according to an embodiment of the present invention.

FIG. 2 is a right end elevation view of a lighting fixture according to an embodiment of the present invention, with the left end of the lighting fixture being a mirror image.

FIG. 3 is a front elevation view of a lighting fixture according to an embodiment of the present invention.

FIG. 4 is a top elevation view of a lighting fixture according to an embodiment of the present invention with the opposite side being a mirror image.

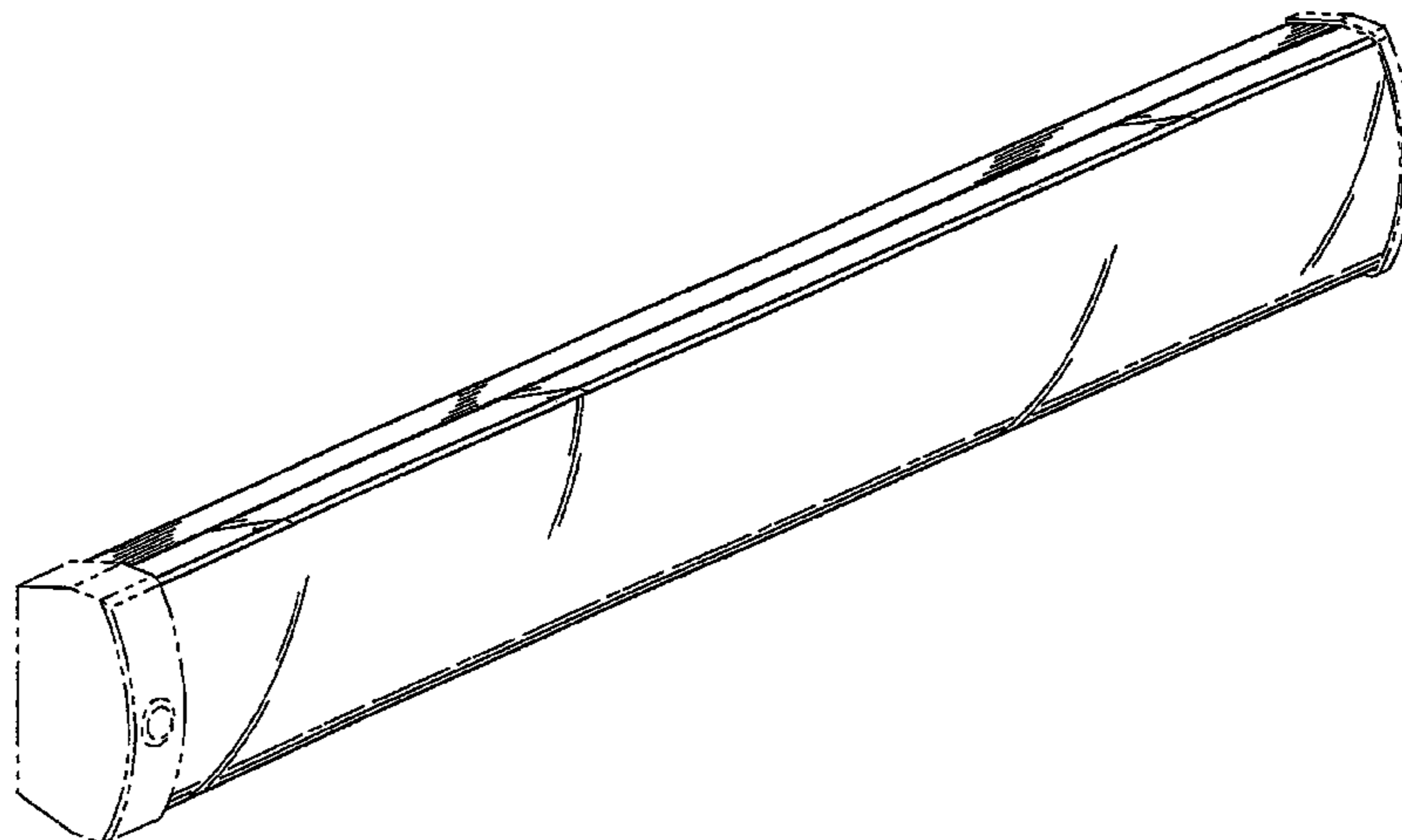
FIG. 5 is a rear elevation view of a lighting fixture according to an embodiment of the present invention; and,

FIG. 6 is a perspective view of a lighting fixture of indeterminate length according to an embodiment of the present invention.

The broken lines in these figures illustrate portions of the linear full wrap light fixture that form no part of the claimed design.

The use of separation and a bracket in FIG. 6 indicates, for ease of illustration, an embodiment wherein the appearance of any portion of the linear full wrap light fixture between the break lines forms no part of the claimed design.

1 Claim, 3 Drawing Sheets



(56)

References Cited

U.S. PATENT DOCUMENTS

D617,487 S *	6/2010	Fowler et al.	D26/76
D633,640 S *	3/2011	Wauters	D26/85
D669,204 S *	10/2012	Snell et al.	D26/76
D671,254 S *	11/2012	Miyatake et al.	D26/75
D675,365 S *	1/2013	Beghelli	D26/78
D679,440 S *	4/2013	Smith	D26/80
D695,443 S *	12/2013	Kaule et al.	D26/76
2006/0146531 A1 *	7/2006	Reo et al.	362/249
2013/0021792 A1 *	1/2013	Snell et al.	362/218

OTHER PUBLICATIONS

U.S. Appl. No. 13/649,067, filed Oct. 10, 2012, Lowes, et al.

U.S. Appl. No. 13/770,389, filed Feb. 19, 2013, Lowes, et al.
U.S. Appl. No. 13/782,820, filed Mar. 1, 2013, Dixon, et al.
U.S. Appl. No. 12/873,303, filed Aug. 31, 2010, Edmond, et al.
U.S. Appl. No. 13/345,215, filed Jan. 6, 2012, Lu, et al.
U.S. Appl. No. 13/442,311, filed Apr. 9, 2012, Lu, et al.
U.S. Appl. No. 12/463,709, filed May 11, 2009, Donofrio, et al.
U.S. Appl. No. 11/656,759, filed Jan. 22, 2007, Chitnis, et al.
U.S. Appl. No. 11/899,790, filed Sep. 7, 2007, Chitnis, et al.
Circalok™ conductive adhesive, 6972 and 6968, by Lord Corporation. 2 pages.
WhiteOpticstm White97 Film, Reflector Film Technical Data Sheet. WhiteOptics, LLC, New Castle, DE.
Office Action from U.S. Appl. No. 29/449,309. dated Jun. 10, 2014.
Response to OA from U.S. Appl. No. 29/449,309, filed Jul. 18, 2014.

* cited by examiner

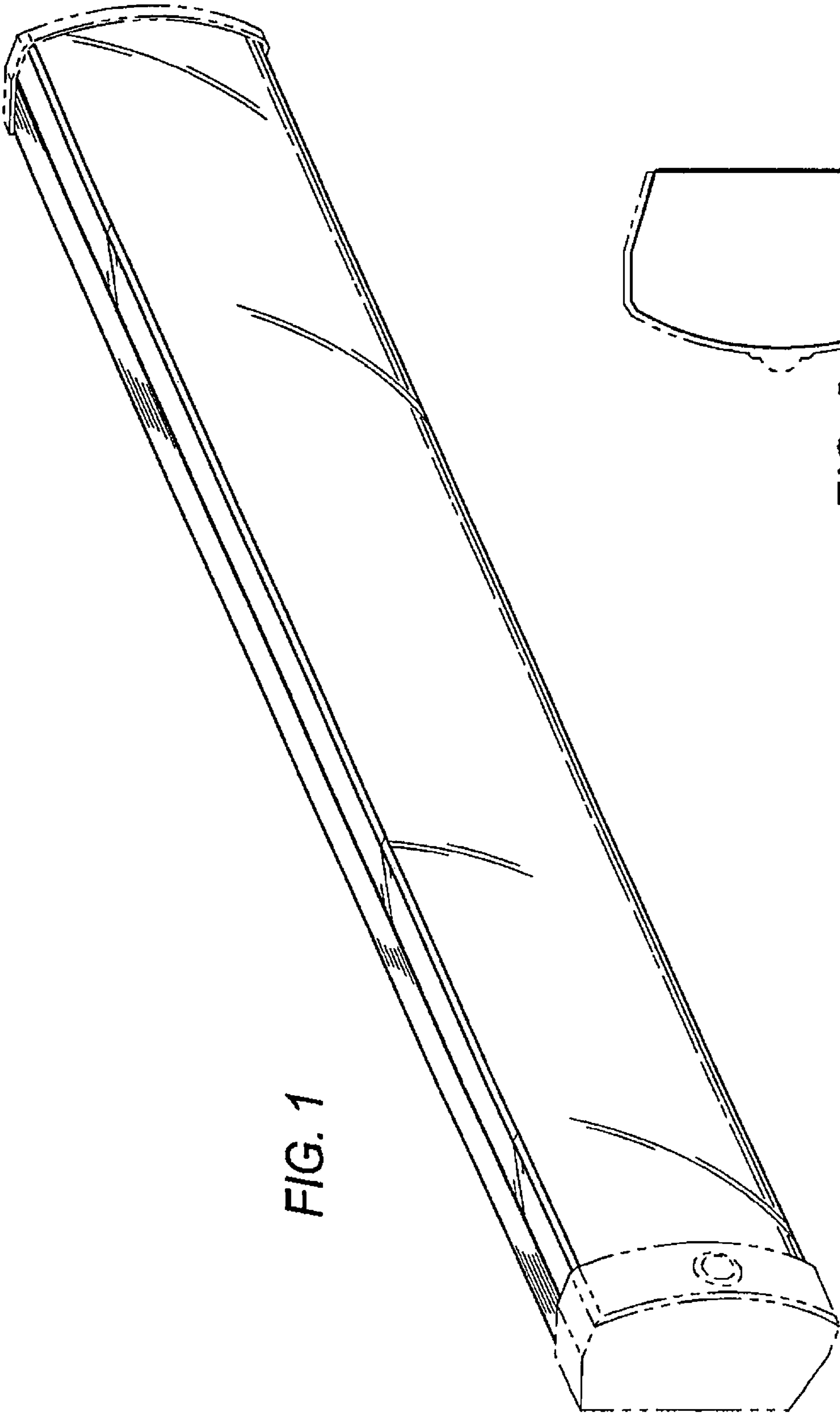


FIG. 1

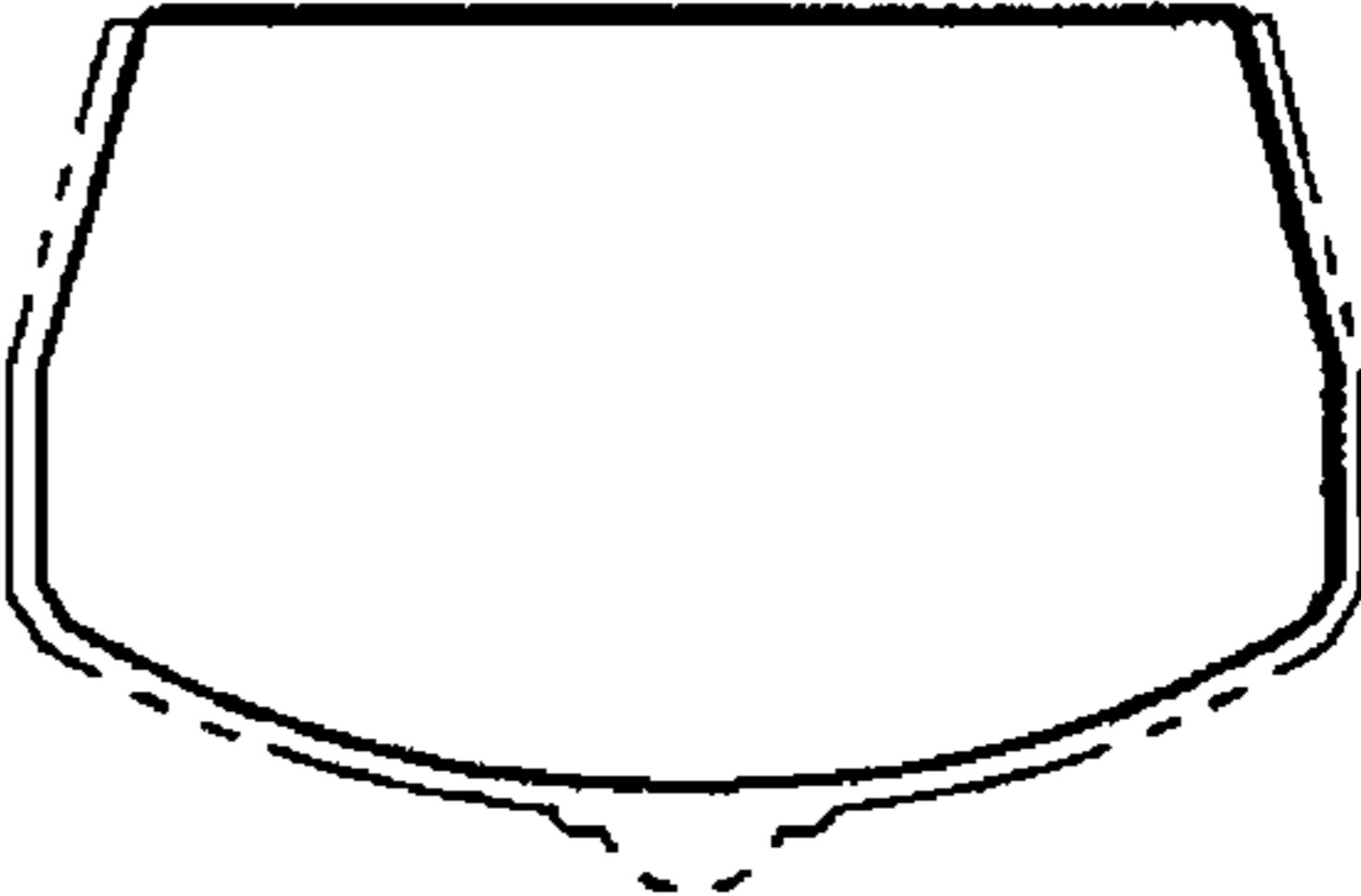


FIG. 2

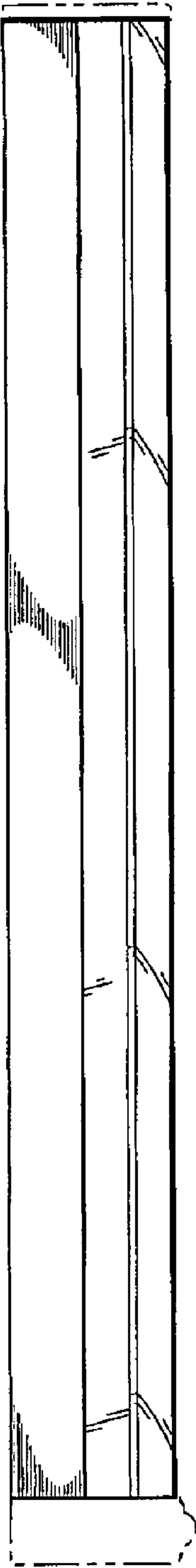


FIG. 4

FIG. 3

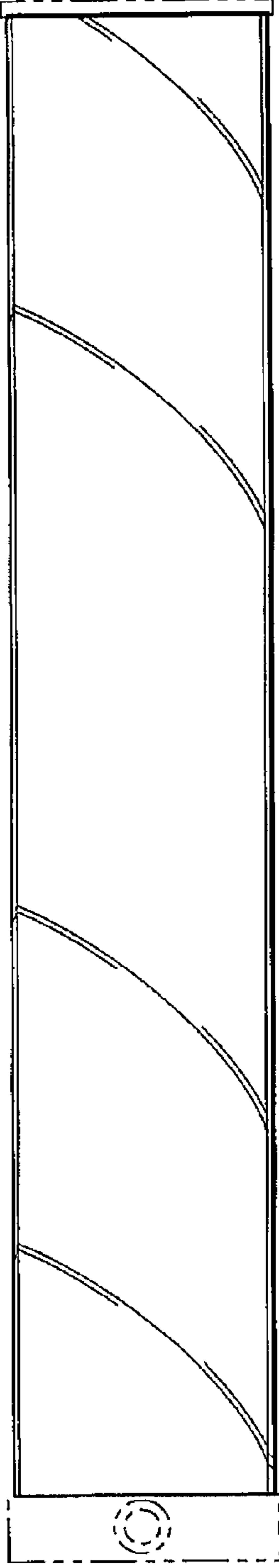
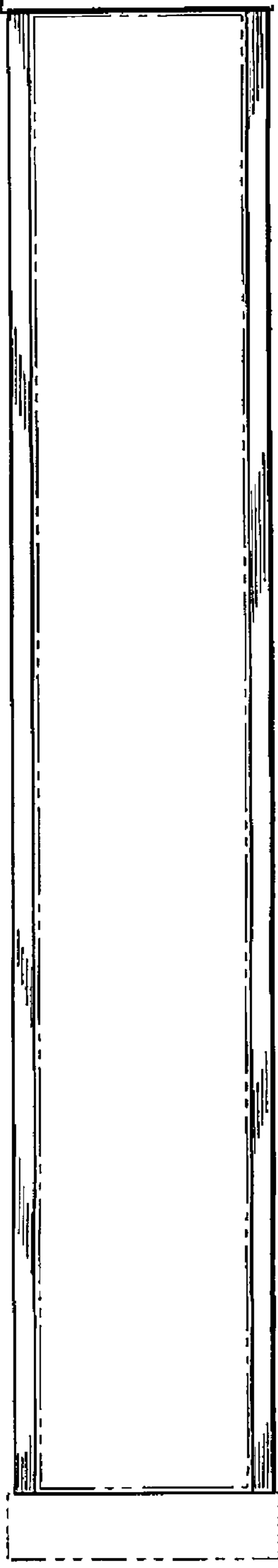


FIG. 5



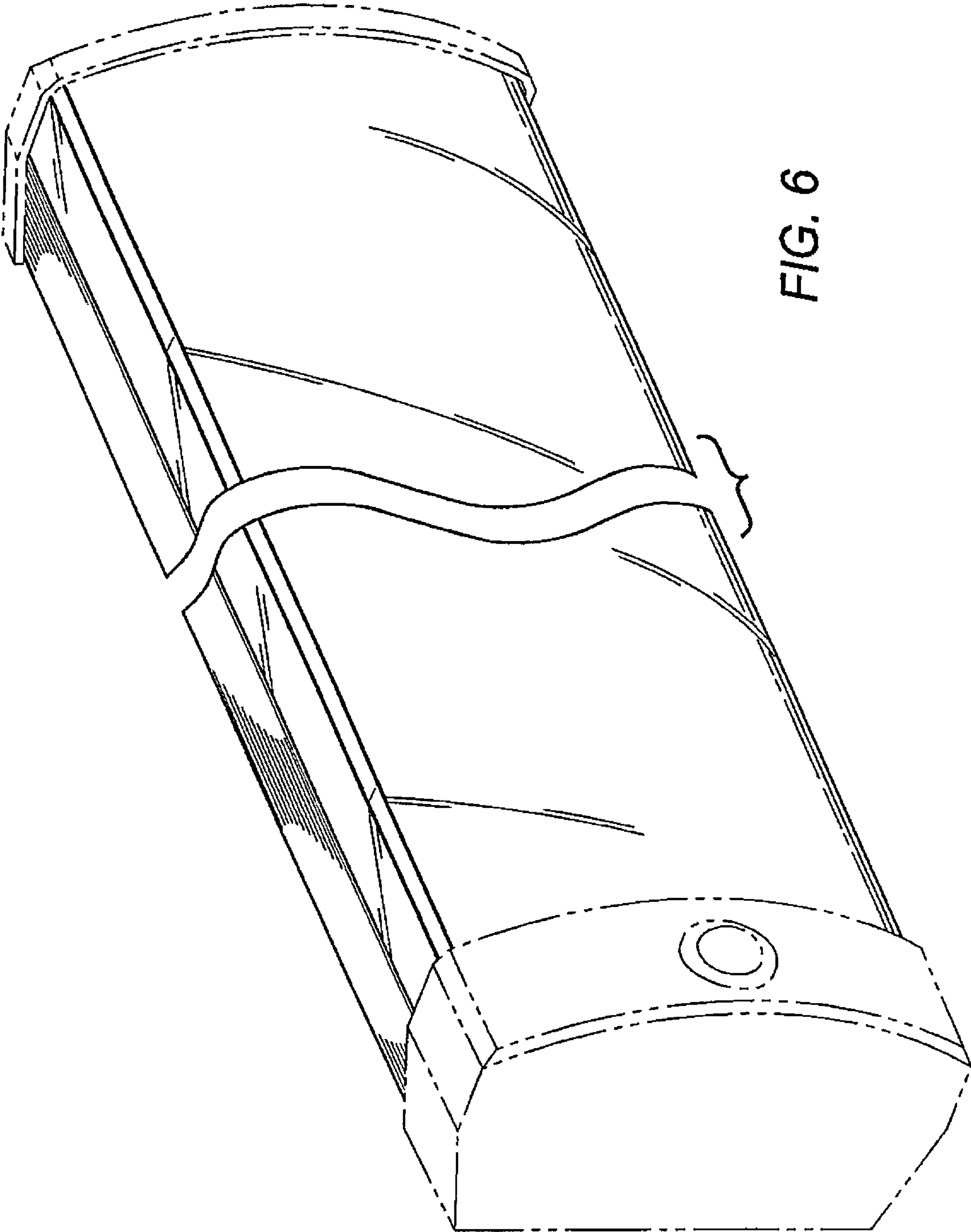


FIG. 6