



US00D730557S

(12) **United States Design Patent**  
**Boyer et al.**

(10) **Patent No.:** **US D730,557 S**

(45) **Date of Patent:** **\*\* May 26, 2015**

(54) **LIGHTING**

(71) Applicant: **LSI Industries, Inc.**, Cincinnati, OH (US)

(72) Inventors: **John D. Boyer**, Lebanon, OH (US);  
**Daniel Hutchens**, Cold Spring, KY (US);  
**Eric Jon Mooar**, Liberty Township, OH (US)

(73) Assignee: **LSI Industries, Inc.**, Cincinnati, OH (US)

(\*\*) Term: **14 Years**

(21) Appl. No.: **29/496,286**

(22) Filed: **Jul. 11, 2014**

**Related U.S. Application Data**

(62) Division of application No. 29/449,187, filed on Mar. 14, 2013.

(51) **LOC (10) Cl.** ..... **26-05**

(52) **U.S. Cl.**  
USPC ..... **D26/74**

(58) **Field of Classification Search**

CPC ..... F21S 8/02; F21S 8/026; F21S 8/04;  
F21S 8/00; F21S 8/022; F21S 8/081; F21V  
21/04; F21V 21/048; F21V 21/014; F21V  
21/02; F21V 21/03; F21V 23/026; F21V  
19/02  
USPC ..... D26/24, 26, 60, 67-74, 80, 81, 83, 85,  
D26/88, 89, 91, 113, 118-120, 124, 149,  
D26/155, 172, 184, 195, 204, 138-142,  
D26/152; 362/145-148, 150-153, 153.1,  
362/217.06, 217.07, 219, 296.01, 296.07,  
362/296.08, 311.07, 311.09, 311.1, 345,  
362/362, 364, 365, 366, 373; D14/172,  
D14/184, 195, 204

See application file for complete search history.

(56) **References Cited**

U.S. PATENT DOCUMENTS

D190,388 S 5/1961 Zurawski  
5,444,576 A \* 8/1995 Shimada ..... 362/373

(Continued)

FOREIGN PATENT DOCUMENTS

JP D1370240 10/1991  
JP D1473964 7/2013

(Continued)

OTHER PUBLICATIONS

Crossover Solid State Lighting, Generation 3 Canopy Lighting Sen-  
sation, LSI Industries, Inc., 10 pages (2010).

(Continued)

*Primary Examiner* — Cynthia Ramirez

*Assistant Examiner* — Llorellys Martinez-Rivera

(74) *Attorney, Agent, or Firm* — McDermott Will & Emery  
LLP

(57) **CLAIM**

The ornamental design for a lighting, as shown and described.

**DESCRIPTION**

FIG. 1 is a perspective view of a lighting showing our new design;

FIG. 2 is a bottom view thereof;

FIG. 3 is a right side view thereof;

FIG. 4 is a left side view thereof;

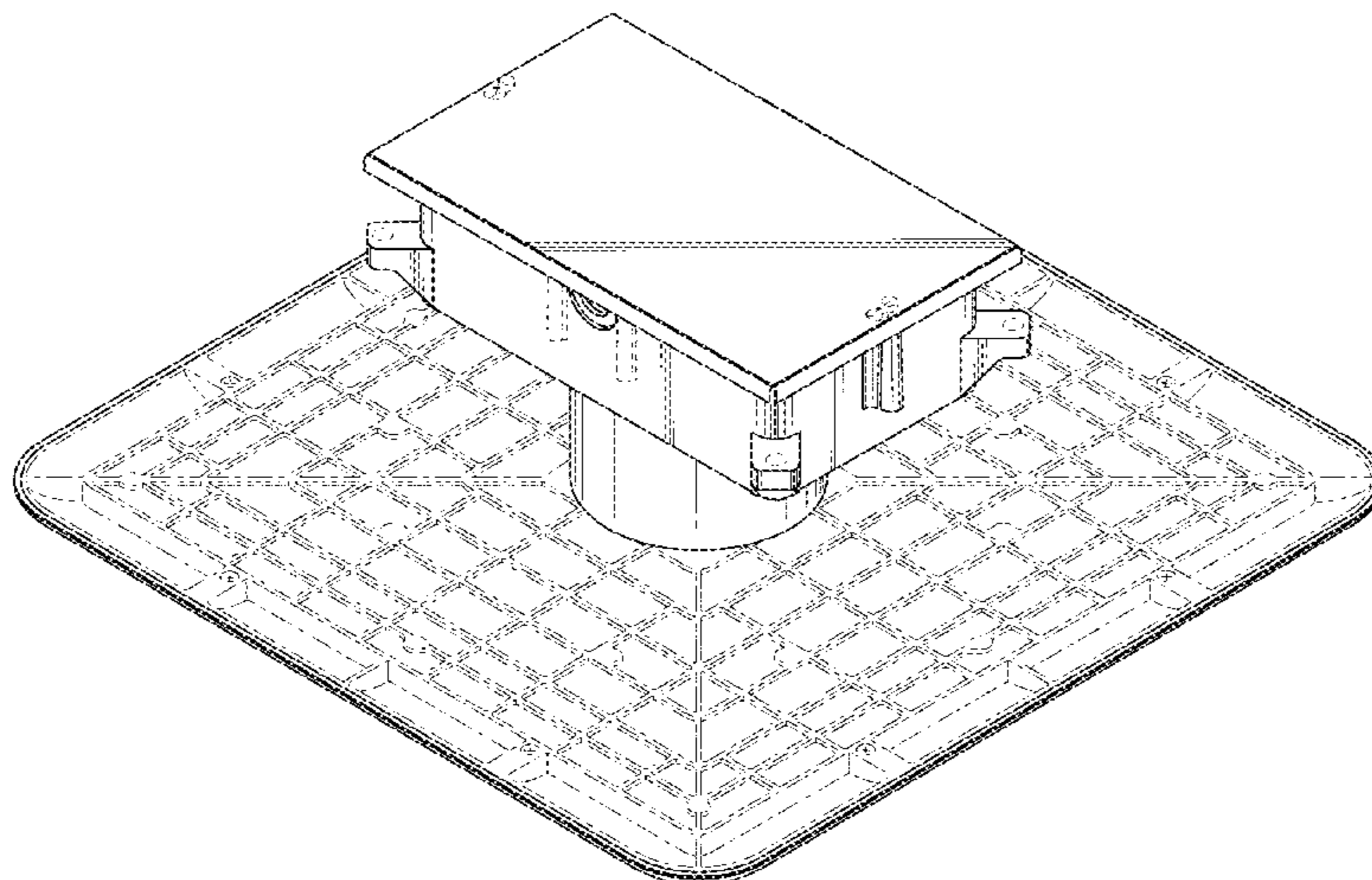
FIG. 5 is a front side view thereof;

FIG. 6 is a rear side view thereof; and,

FIG. 7 is a top side view thereof.

The broken lines in the drawings illustrate environmental subject matter only and form no part of the claimed design. Moreover, the shading presented in the accompanying drawings is provided merely to highlight the contour of the invention and is not intended to be illustrative of texture or gloss.

**1 Claim, 5 Drawing Sheets**



(56)

References Cited

U.S. PATENT DOCUMENTS

D441,483 S 5/2001 Schaefer et al.  
 D445,526 S 7/2001 Wang  
 D457,677 S \* 5/2002 Landefeld et al. .... D26/67  
 D469,211 S 1/2003 Homann  
 D489,353 S \* 5/2004 Right et al. .... D14/172  
 D509,617 S 9/2005 Benghozi  
 D511,020 S \* 10/2005 Egawa et al. .... D26/89  
 D532,142 S \* 11/2006 Matsui et al. .... D26/80  
 D539,943 S \* 4/2007 Egawa et al. .... D26/24  
 D544,629 S 6/2007 Benensohn  
 D551,379 S \* 9/2007 Maxik ..... D26/74  
 D558,382 S 12/2007 Cesaro  
 D574,994 S \* 8/2008 Boyer ..... D26/120  
 D575,887 S \* 8/2008 Mukai ..... D26/24  
 D584,440 S 1/2009 Allen  
 D592,348 S \* 5/2009 Trott et al. .... D26/74  
 7,547,112 B2 6/2009 Kim  
 D599,944 S \* 9/2009 Sabernig ..... D26/74  
 D601,744 S \* 10/2009 Sakuma ..... D26/89  
 D613,886 S \* 4/2010 Lodhie ..... D26/1  
 D614,341 S \* 4/2010 Sabernig ..... D26/89  
 D617,441 S 6/2010 Koury et al.  
 7,771,083 B2 8/2010 Troller et al.  
 D628,335 S \* 11/2010 Hyland ..... D26/74  
 D637,752 S \* 5/2011 Mekhtarian ..... D26/72  
 D640,822 S \* 6/2011 Wildner ..... D26/89  
 D641,098 S 7/2011 Wildner  
 D648,060 S \* 11/2011 Yamamoto et al. .... D26/120  
 D656,264 S \* 3/2012 Janssen ..... D26/85  
 D656,654 S \* 3/2012 Wauters ..... D26/89  
 D670,855 S 11/2012 Turner  
 D673,712 S \* 1/2013 Patel ..... D26/74  
 D675,187 S \* 1/2013 Nousiainen ..... D14/204  
 D677,824 S 3/2013 Maxik et al.  
 D680,257 S 4/2013 Patrick et al.  
 D681,867 S \* 5/2013 Wegger et al. .... D26/124  
 D686,363 S 7/2013 Smith  
 8,480,264 B2 \* 7/2013 Vanden Eynden et al. ... 362/294  
 D688,412 S \* 8/2013 Heim et al. .... D26/120  
 8,511,867 B1 8/2013 Tam et al.  
 D690,867 S 10/2013 Mayfield  
 8,550,670 B2 10/2013 Boyer et al.  
 D698,974 S \* 2/2014 Aniserowicz et al. .... D26/74  
 D698,981 S \* 2/2014 Eberle ..... D26/89  
 D701,636 S \* 3/2014 Maxik et al. .... D26/89  
 D702,393 S \* 4/2014 Ansierowicz et al. .... D26/89  
 D702,868 S \* 4/2014 Patel ..... D26/74  
 D707,383 S 6/2014 Carraher

D707,879 S \* 6/2014 Hamilton ..... D26/120  
 D712,082 S \* 8/2014 Harpenau et al. .... D26/74  
 D715,476 S \* 10/2014 Tien et al. .... D26/74  
 D717,989 S \* 11/2014 Heim et al. .... D26/71  
 2001/0006463 A1 7/2001 Fischer  
 2007/0171664 A1 7/2007 Shih  
 2010/0149806 A1 6/2010 Yiu  
 2010/0165643 A1 \* 7/2010 Russo et al. .... 362/365  
 2013/0301293 A1 11/2013 Hiraoka  
 2014/0159636 A1 6/2014 Yang et al.  
 2014/0160765 A1 6/2014 Sato et al.  
 2014/0268729 A1 9/2014 Boyer et al.  
 2014/0268782 A1 9/2014 Boyer et al.  
 2014/0268788 A1 9/2014 Boyer et al.  
 2014/0268789 A1 \* 9/2014 Boyer et al. .... 362/267  
 2014/0268820 A1 9/2014 Boyer et al.  
 2014/0268821 A1 9/2014 Boyer et al.  
 2014/0268830 A1 9/2014 Boyer et al.

FOREIGN PATENT DOCUMENTS

TW 152780 2/1991  
 TW 169220 9/1991  
 TW 292168 11/1996  
 TW D154713 7/2013

OTHER PUBLICATIONS

Crossover, Generation 3, CRO3 LED Canopy Lighting, LSI Industries, Inc., 4 pages (2012).  
 Crossover LED Lighting Technology, Generation 3 LED Ambien Canopy Lighting, LSI Industries, Inc. 2 pages (2012).  
 Scottsdale Data Sheet, LSI Industries, Inc., 2 pages (2009).  
 Installation and Assembly Instructions, Scottsdale Series Optical Unit Only, 1 page (2007).  
 Crossover LED Lighting Technology, Generation 3, 2011 Edition, LSI Industries, 20 pages (2011).  
 Japanese Preliminary Rejection from corresponding Japanese Application No. 2013-018039 dated Mar. 31, 2014.  
 Japanese Preliminary Rejection from corresponding Japanese Application No. 2013-018040 dated Mar. 31, 2014.  
 Japanese Preliminary Rejection from corresponding Japanese Application No. 2013-018044 dated Mar. 31, 2014.  
 Taiwan Office Action from corresponding Taiwan Application No. 102305398 dated Feb. 20, 2014.  
 Taiwan Office Action from corresponding Taiwan Application No. 102305398 dated May 14, 2014.  
 Crossover Solid-State Lighting. Generation 3, LED Canopy Lighting.

\* cited by examiner



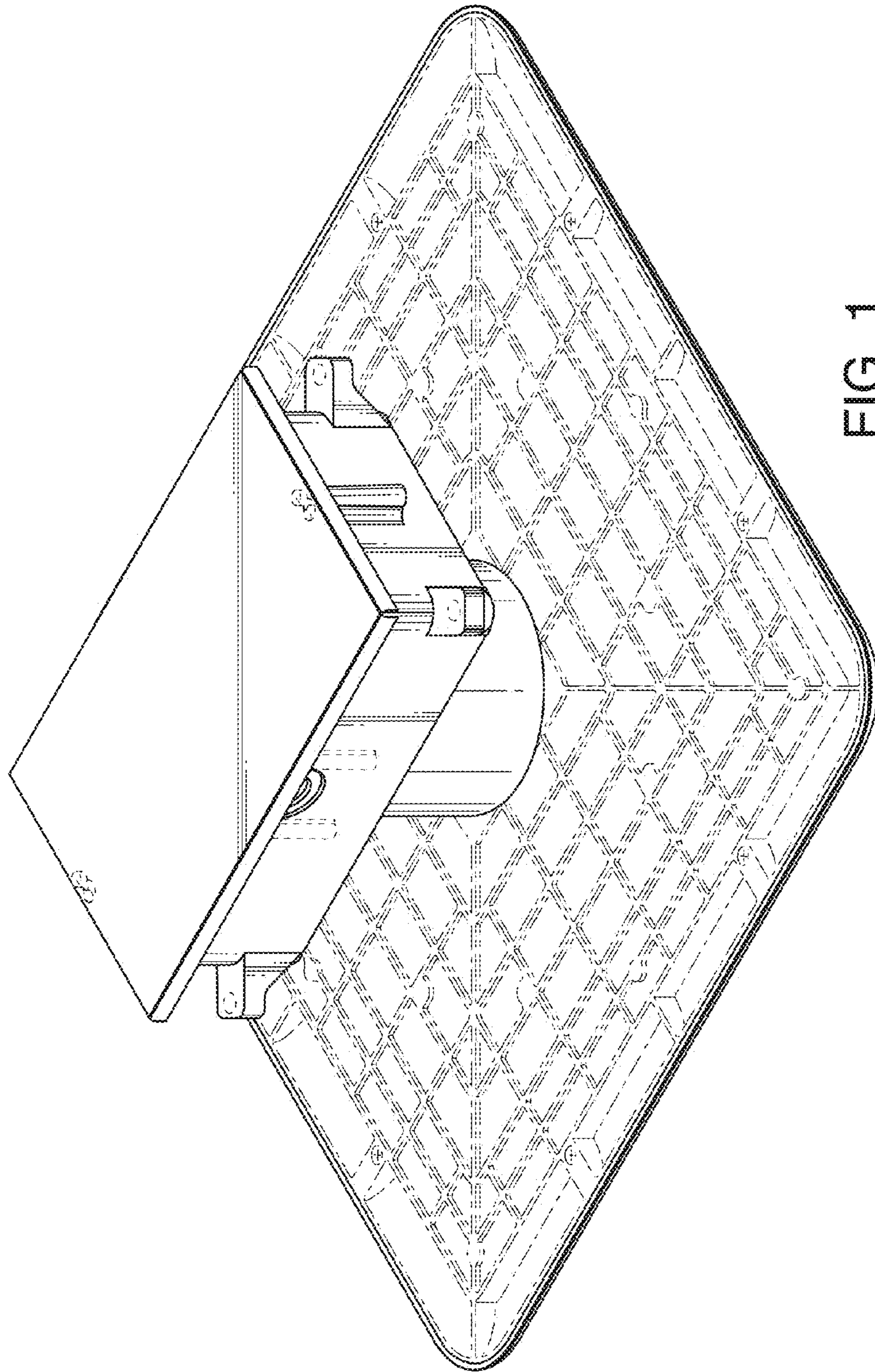


FIG. 1

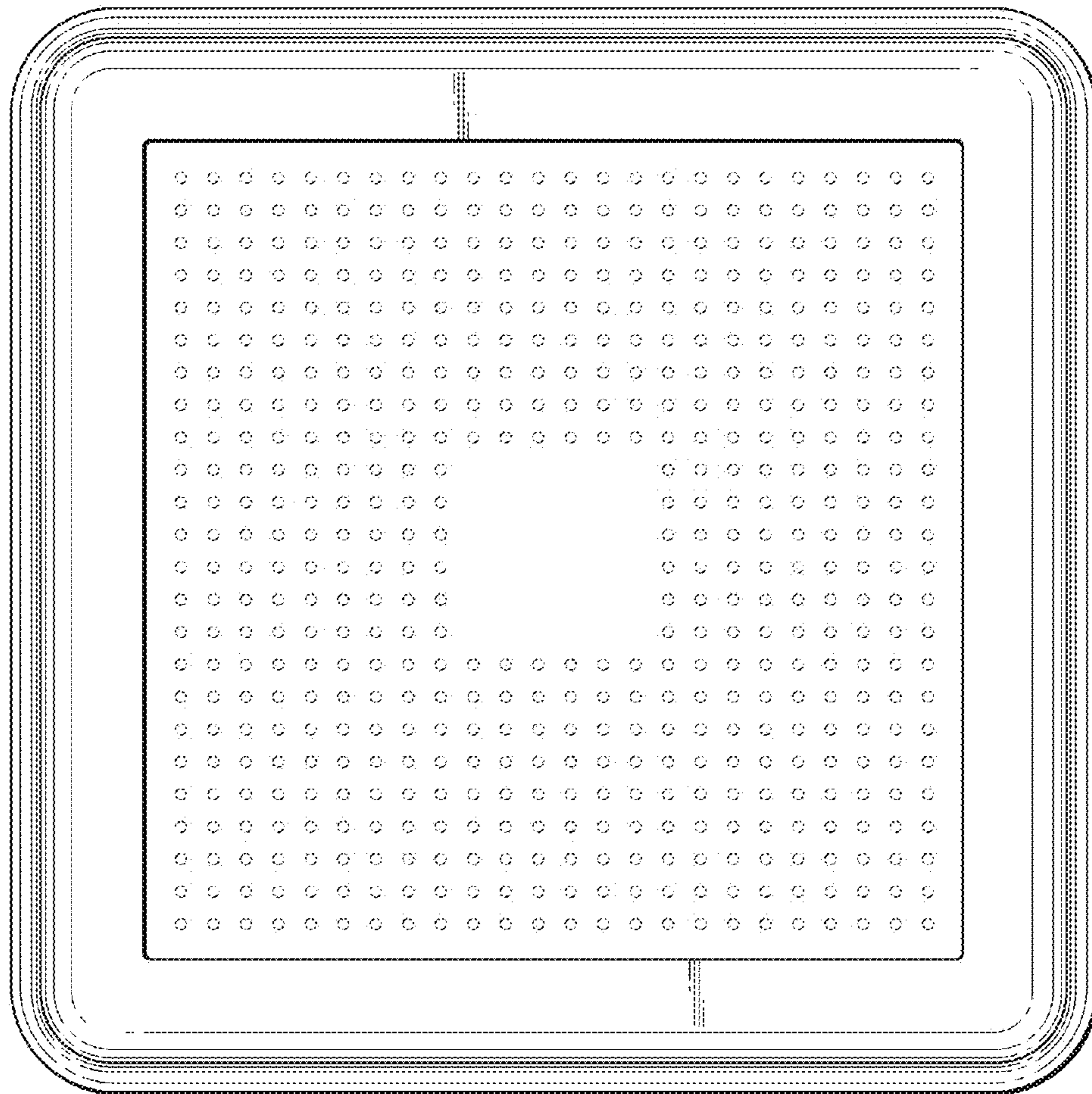


FIG. 2

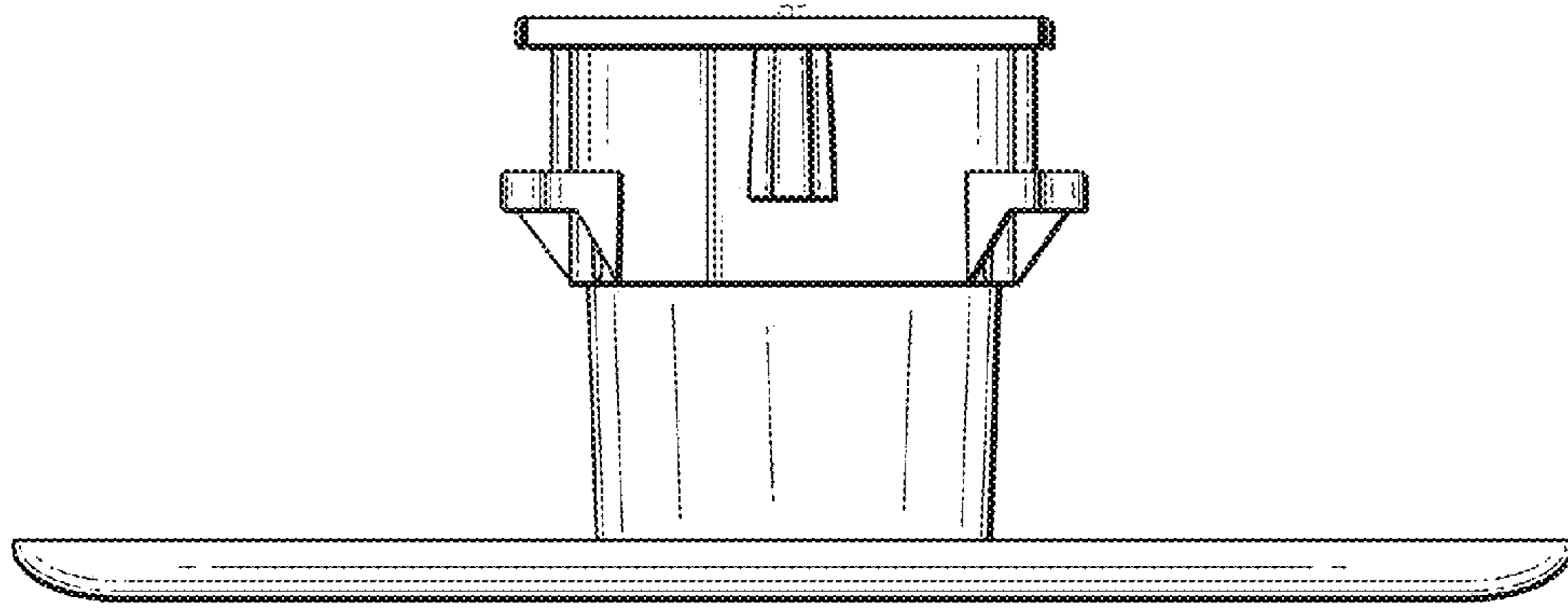


FIG. 3

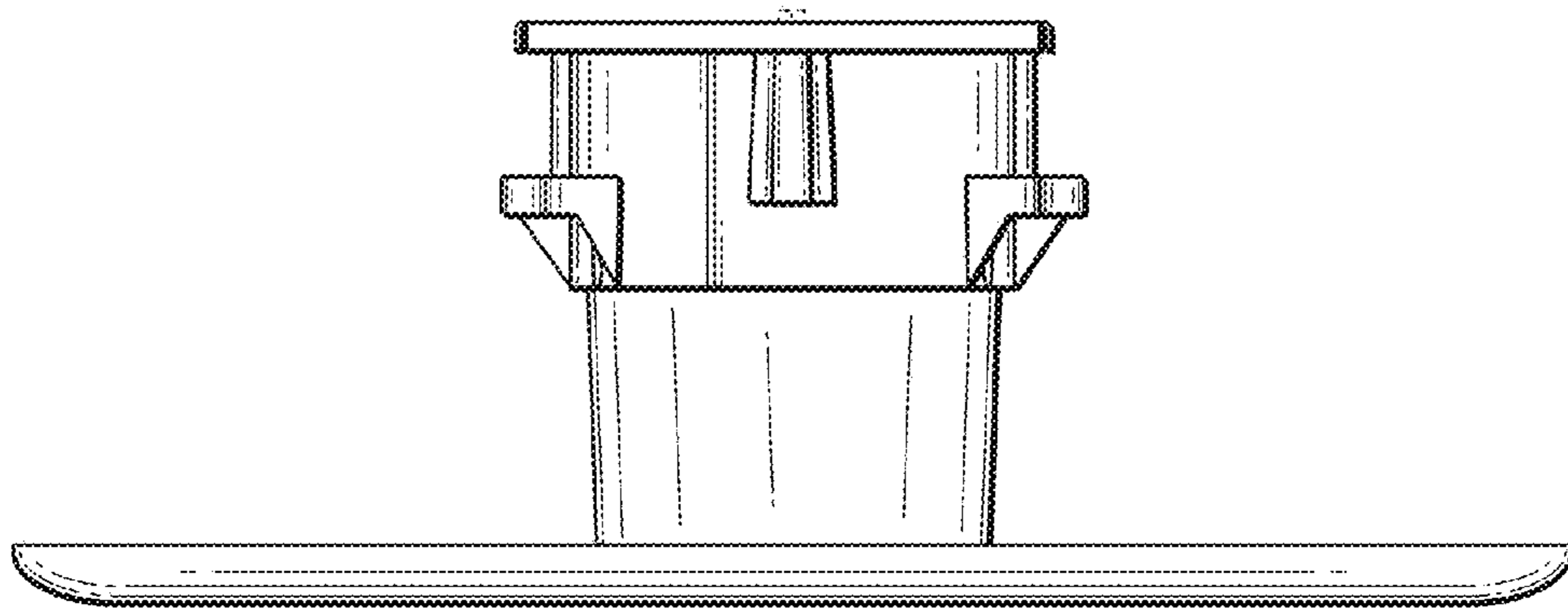


FIG. 4

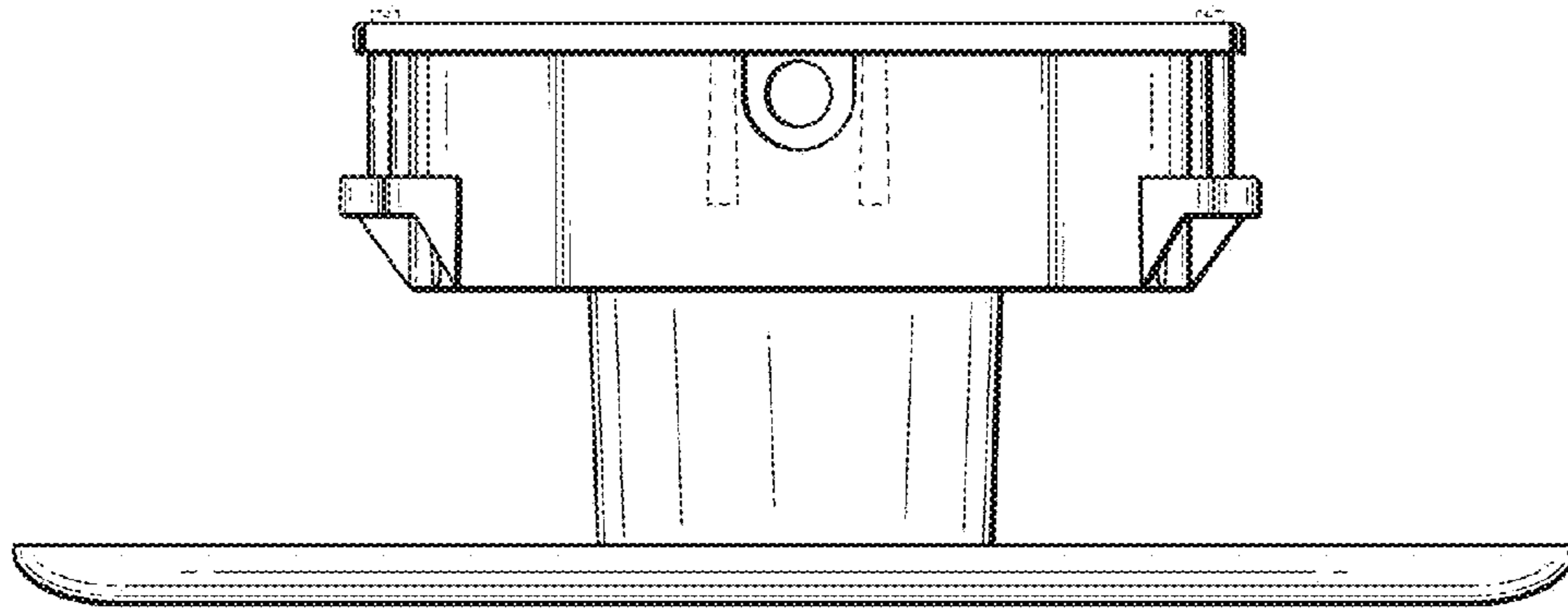


FIG. 5

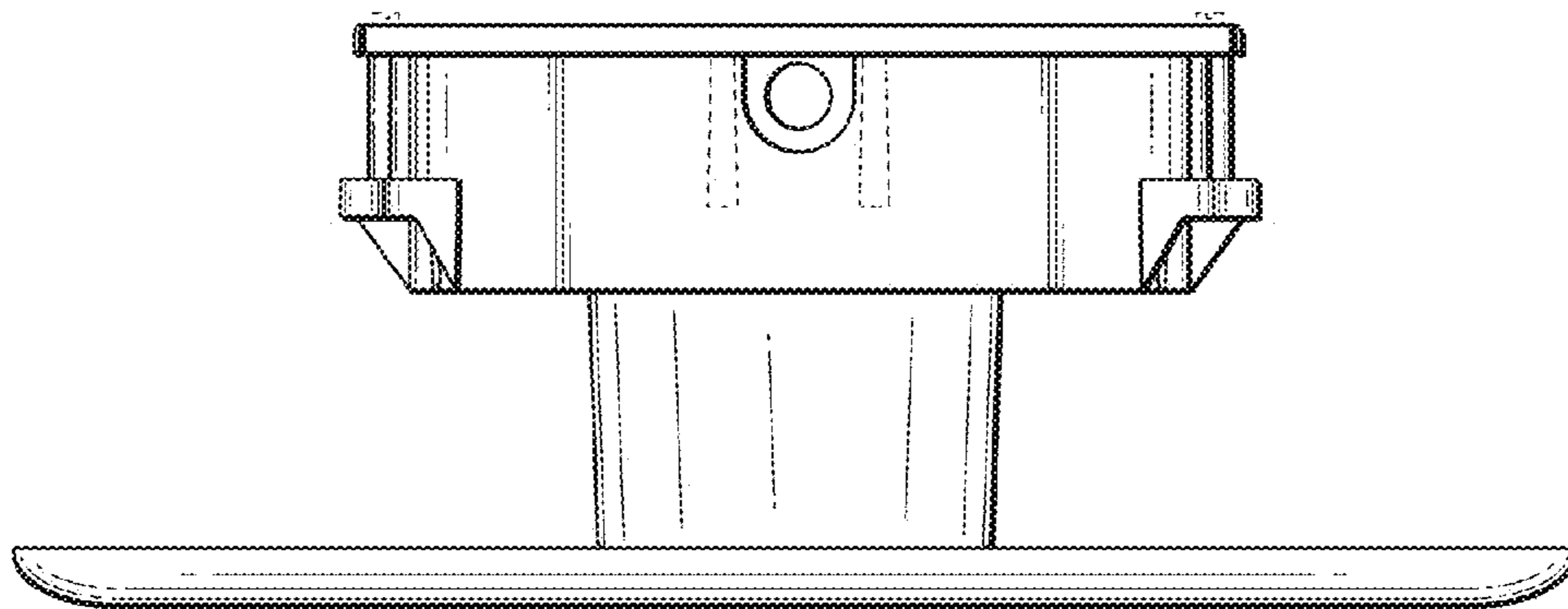


FIG. 6



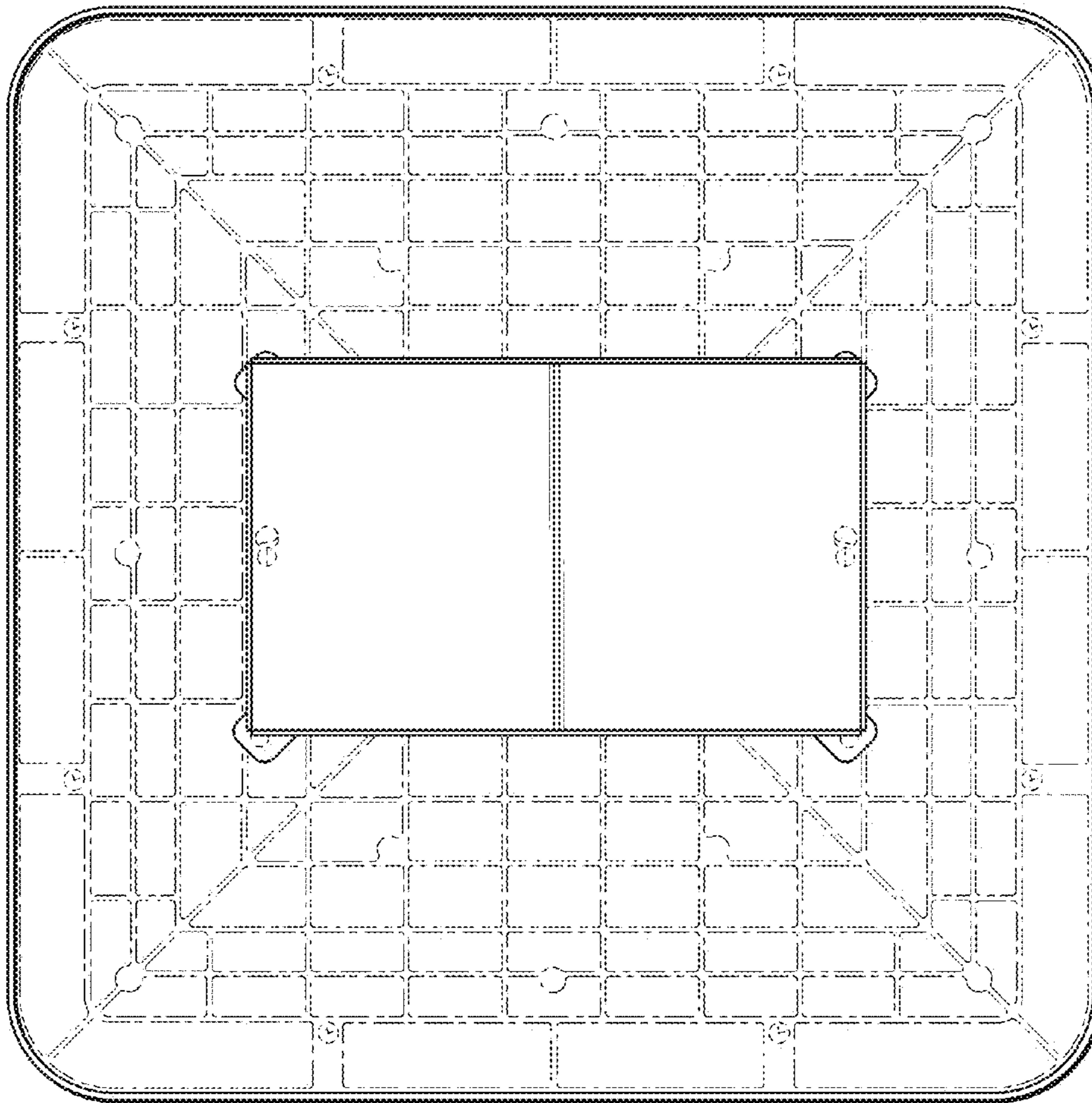


FIG. 7