



US00D730556S

(12) **United States Design Patent**  
**Toyohisa et al.**

(10) **Patent No.:** **US D730,556 S**  
(45) **Date of Patent:** **\*\* May 26, 2015**

(54) **RECESSED CEILING LIGHT**

(71) Applicants: **Kilt Planning Office Inc.**, Kawasaki-shi, Kanagawa (JP); **Kyocera Corporation**, Kyoto (JP)

(72) Inventors: **Shozo Toyohisa**, Kawasaki (JP); **Tomoyuki Shimaya**, Higashiomi (JP); **Chie Kanazawa**, Higashiomi (JP)

(73) Assignees: **KILT PLANNING OFFICE INC.**, Kawasaki-Shi (JP); **KYOCERA CORPORATION**, Kyoto (JP)

(\*\*) Term: **14 Years**

(21) Appl. No.: **29/444,222**

(22) Filed: **Jan. 28, 2013**

(30) **Foreign Application Priority Data**

Jul. 30, 2012 (JP) ..... 2012-018091  
Jul. 30, 2012 (JP) ..... 2012-018092  
Jul. 30, 2012 (JP) ..... 2012-018093

(51) **LOC (10) Cl.** ..... **26-05**

(52) **U.S. Cl.**  
USPC ..... **D26/74**

(58) **Field of Classification Search**  
CPC ..... F21Y 2101/02; F21V 15/01; F21S 8/02; F21S 8/026; F21S 8/033  
USPC ..... D26/72-89, 93, 104, 118-120, 138, D26/139, 142; D23/370-385; 362/145, 147, 362/148, 217.02, 217.1-217.13, 223, 362/327-330, 362, 364-366, 368, 632-634

See application file for complete search history.

(56) **References Cited**

U.S. PATENT DOCUMENTS

D120,773 S \* 5/1940 Arenberg ..... D26/120  
(Continued)

FOREIGN PATENT DOCUMENTS

JP D1160825 A 10/2002  
(Continued)

*Primary Examiner* — Garth Rademaker

*Assistant Examiner* — Lloreys Martinez-Rivera

(74) *Attorney, Agent, or Firm* — Birch, Stewart, Kolasch & Birch, LLP

(57) **CLAIM**

The ornamental design for a recessed ceiling light, as shown and described.

**DESCRIPTION**

FIG. 1 is a bottom perspective view of a recessed ceiling light showing our new design;

FIG. 2 is a top perspective view thereof;

FIG. 3 is a bottom view thereof;

FIG. 4 is a bottom view thereof, showing the design with transparent sections, illustrated by cross-hatching;

FIG. 5 is a front view thereof; the back view being identical thereto;

FIG. 6 is a right side view thereof; the left side view being identical thereto;

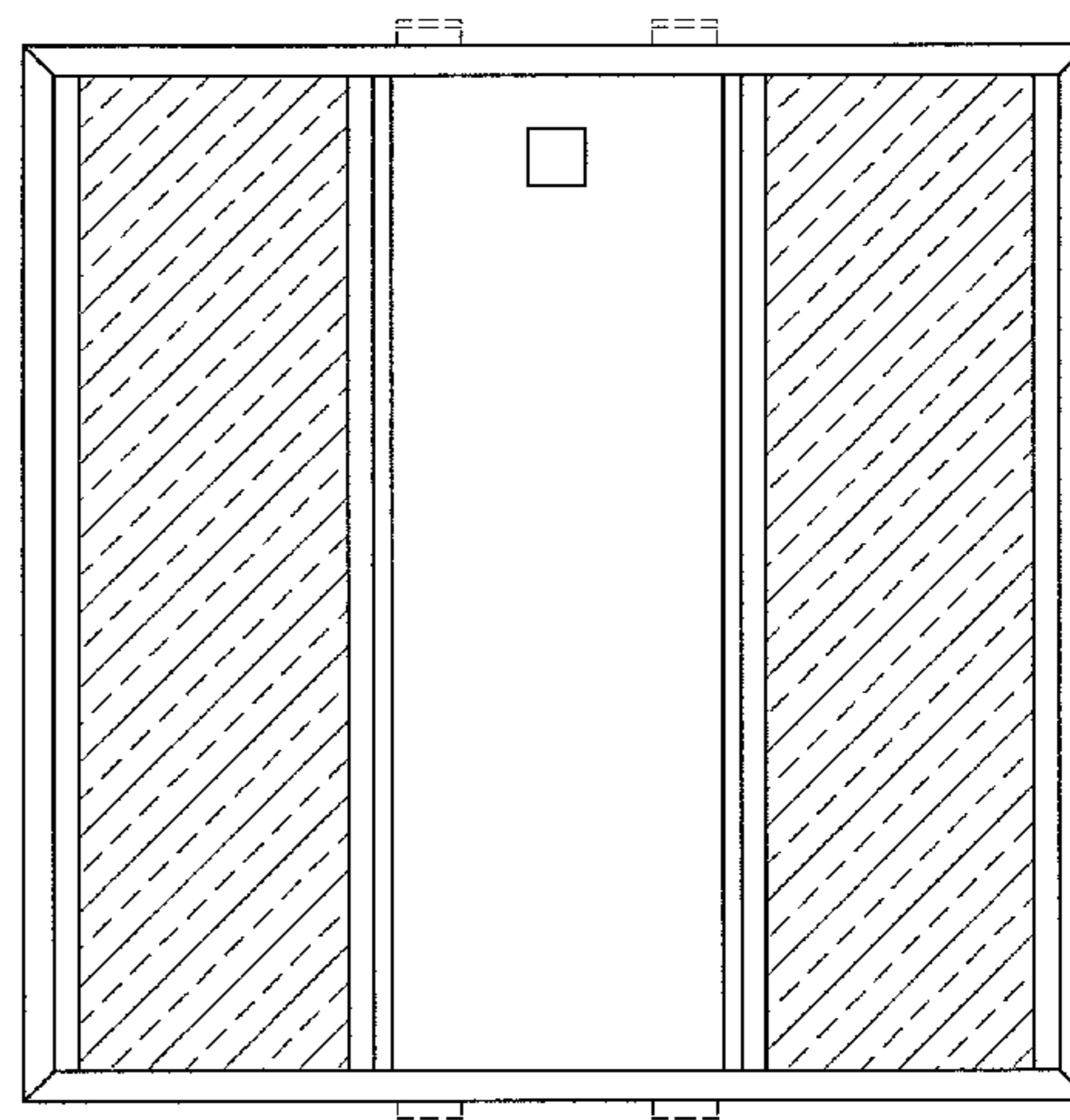
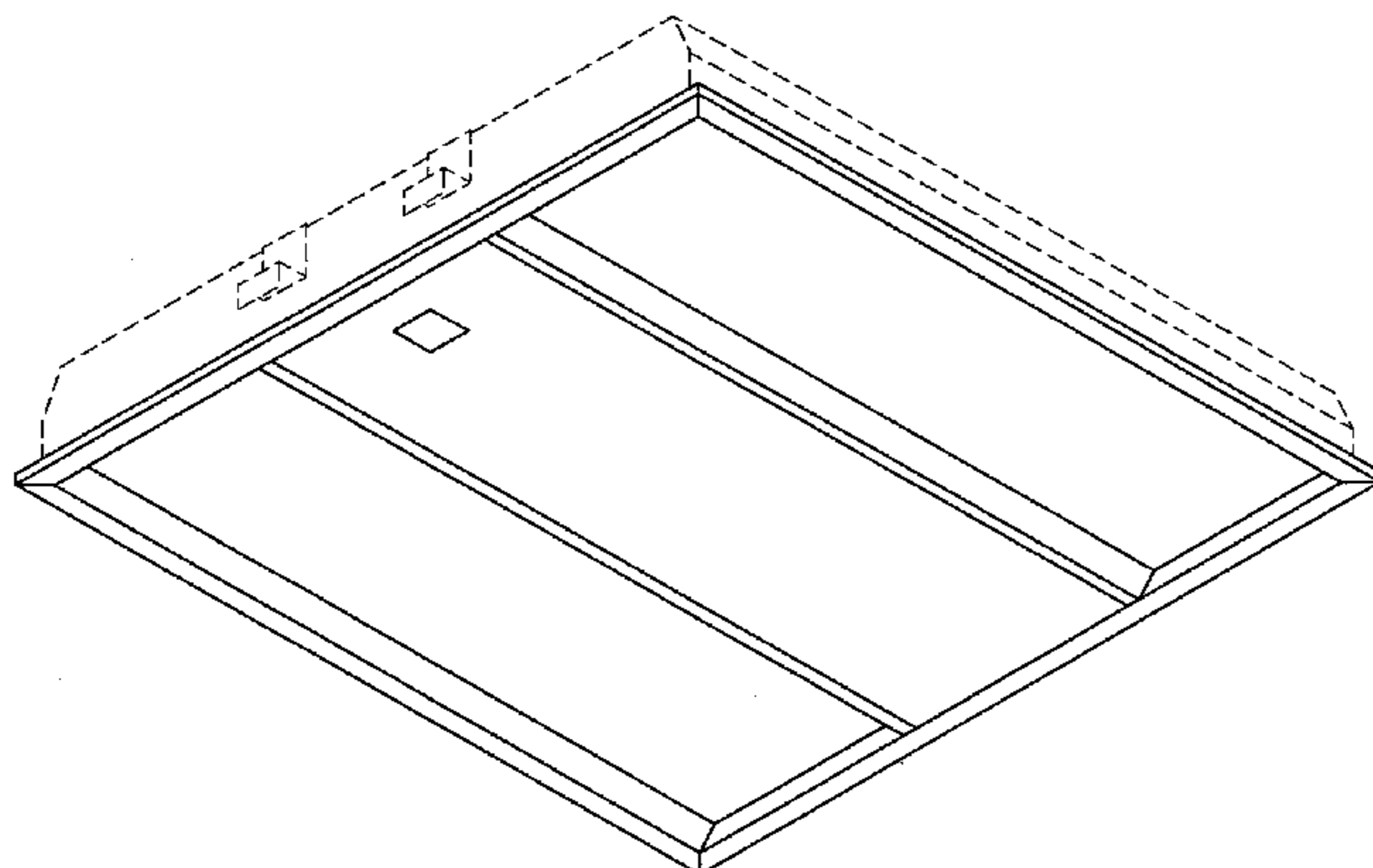
FIG. 7 is a top plan view thereof;

FIG. 8 is a sectional view taken along line 8-8 in FIG. 7;

FIG. 9 is a sectional view taken along line 9-9 in FIG. 3; and, FIG. 10 is a partial enlarged view showing section 10-10 of FIG. 9.

The oblique solid-line and broken-line pattern shown in FIGS. 4, 9 and 10 indicates that the surface is transparent. The broken line portions in the drawings are included to illustrate environmental structure and form no part of the claimed design.

**1 Claim, 10 Drawing Sheets**



(56)

**References Cited**

U.S. PATENT DOCUMENTS

5,988,829 A \* 11/1999 Holder ..... 362/223  
 D441,117 S \* 4/2001 Grimm ..... D26/76  
 D477,891 S \* 7/2003 Fritze et al. .... D26/74  
 D496,121 S \* 9/2004 Santoro ..... D26/74  
 D556,358 S \* 11/2007 Santoro ..... D26/74  
 D572,858 S \* 7/2008 Santoro ..... D26/74  
 D574,478 S \* 8/2008 Miyake et al. .... D23/371  
 D579,598 S \* 10/2008 Santoro ..... D26/76  
 D595,006 S \* 6/2009 Santoro ..... D26/74  
 D605,342 S \* 12/2009 Chung et al. .... D26/118  
 D608,931 S \* 1/2010 Castelli ..... D26/76  
 D631,594 S \* 1/2011 Irvine ..... D26/74

D632,380 S \* 2/2011 Kim et al. .... D23/371  
 D641,913 S \* 7/2011 Lagutko ..... D26/89  
 D644,374 S \* 8/2011 Ferrier ..... D26/118  
 D646,012 S \* 9/2011 Irvine ..... D26/74  
 D677,818 S \* 3/2013 Steele et al. .... D26/74  
 2012/0039067 A1\* 2/2012 Kim et al. .... 362/84  
 2013/0294090 A1\* 11/2013 Mayfield et al. .... 362/330

FOREIGN PATENT DOCUMENTS

JP D1351936 A 1/2009  
 JP D1354211 A 2/2009  
 JP D1354212 A 2/2009  
 JP D1412386 A 4/2011

\* cited by examiner

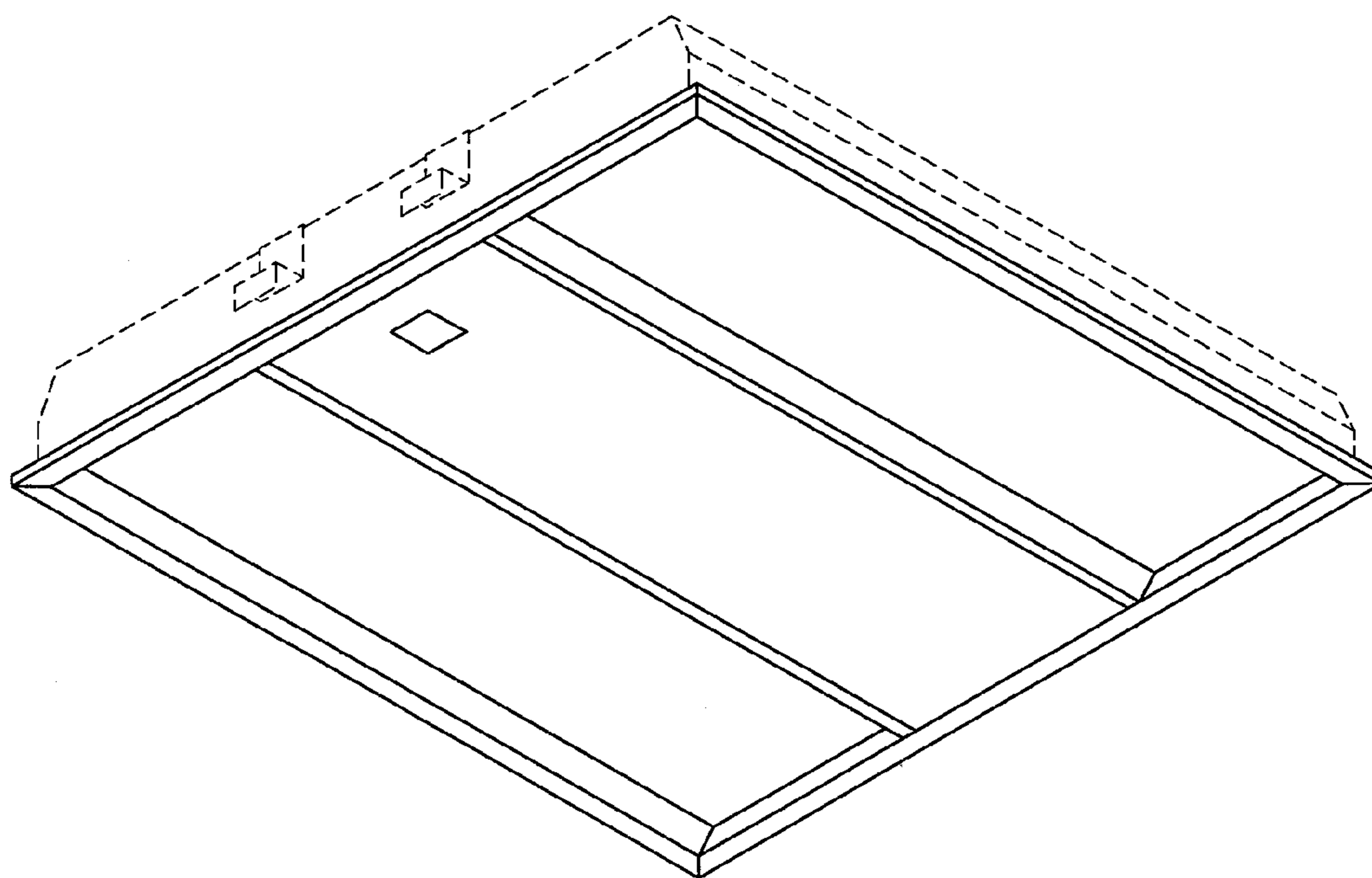


FIG.1

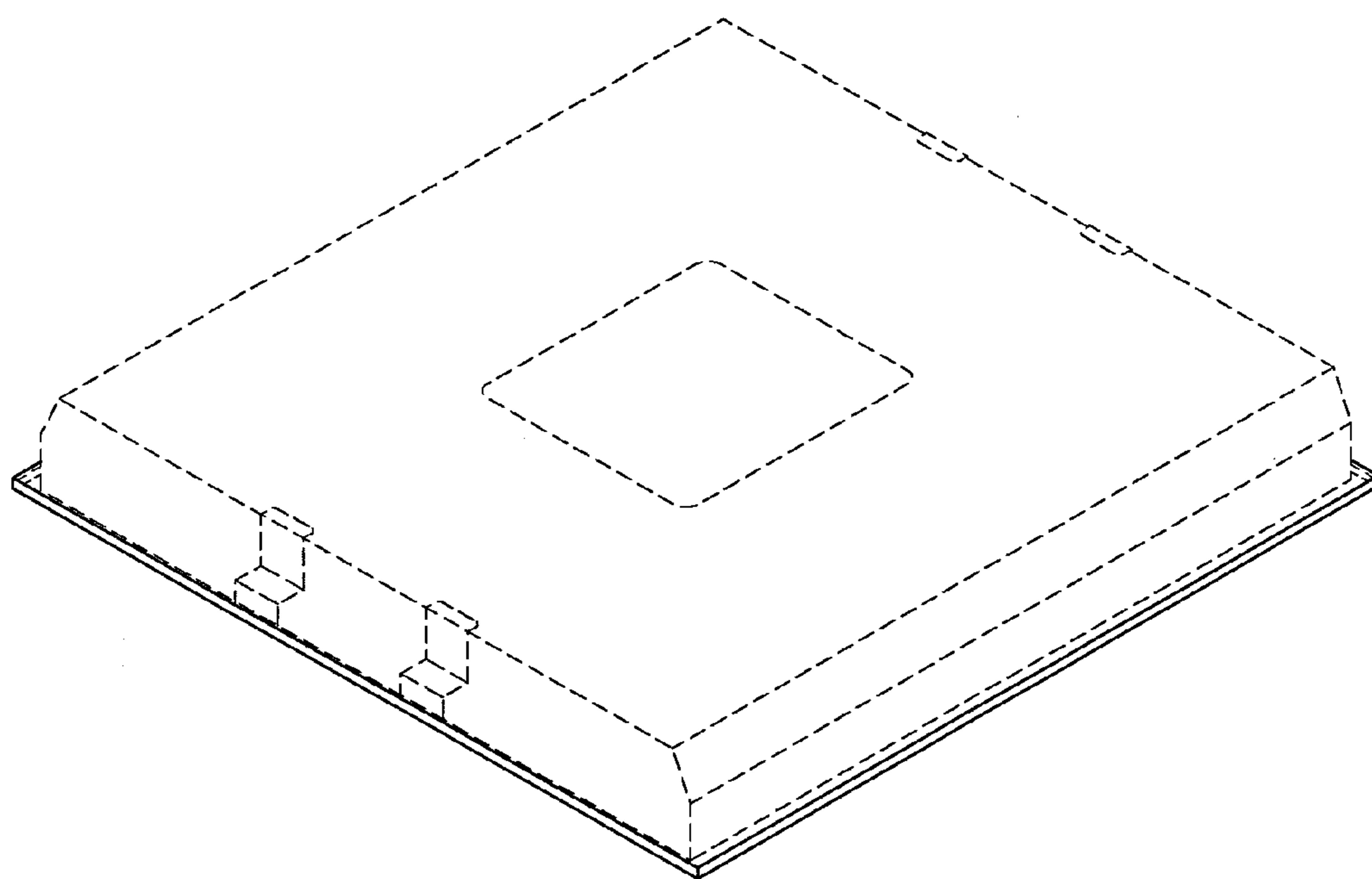


FIG.2

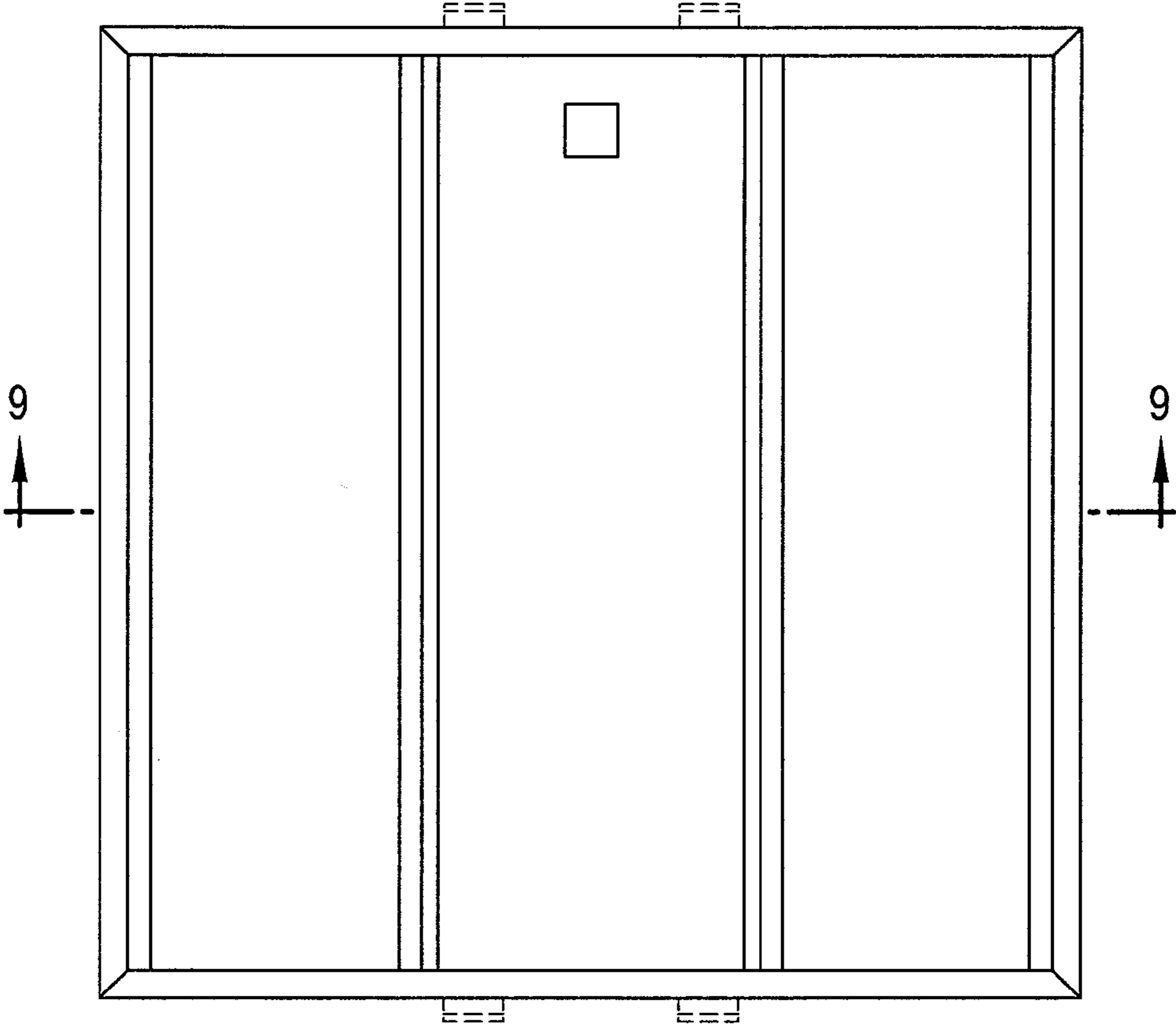


FIG.3

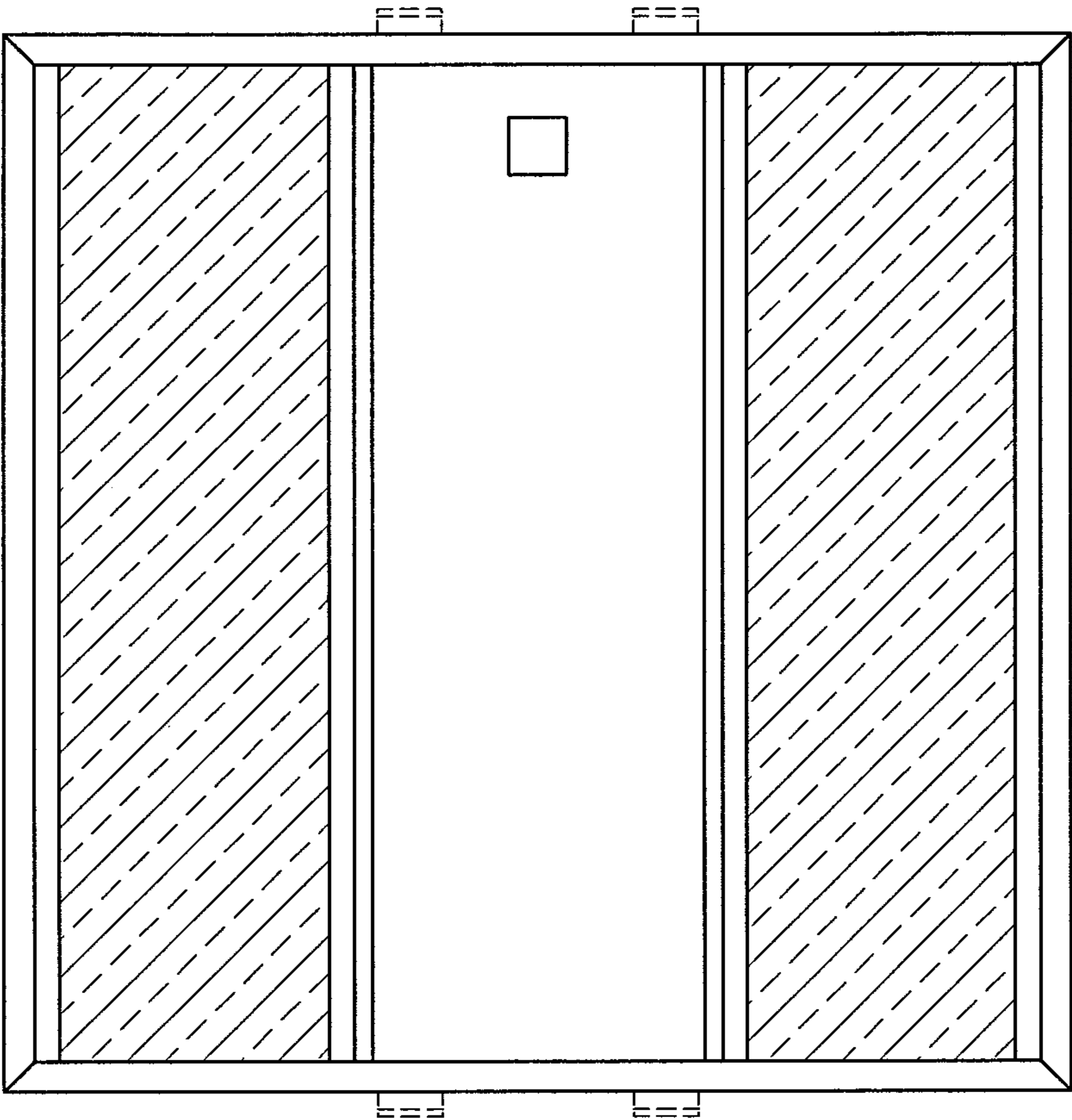


FIG.4



FIG.5

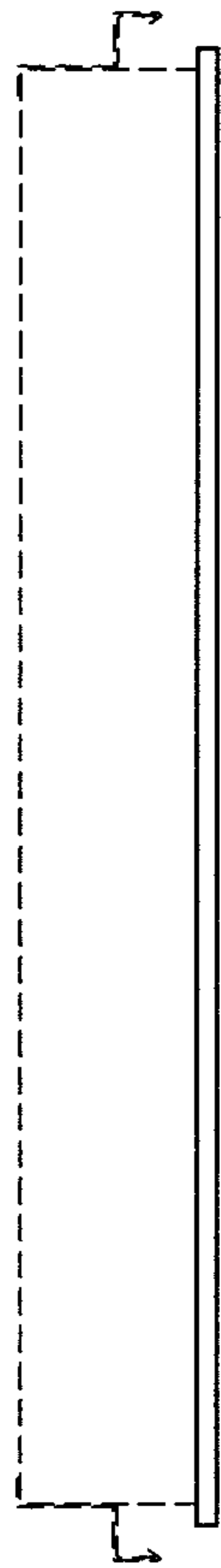


FIG.6



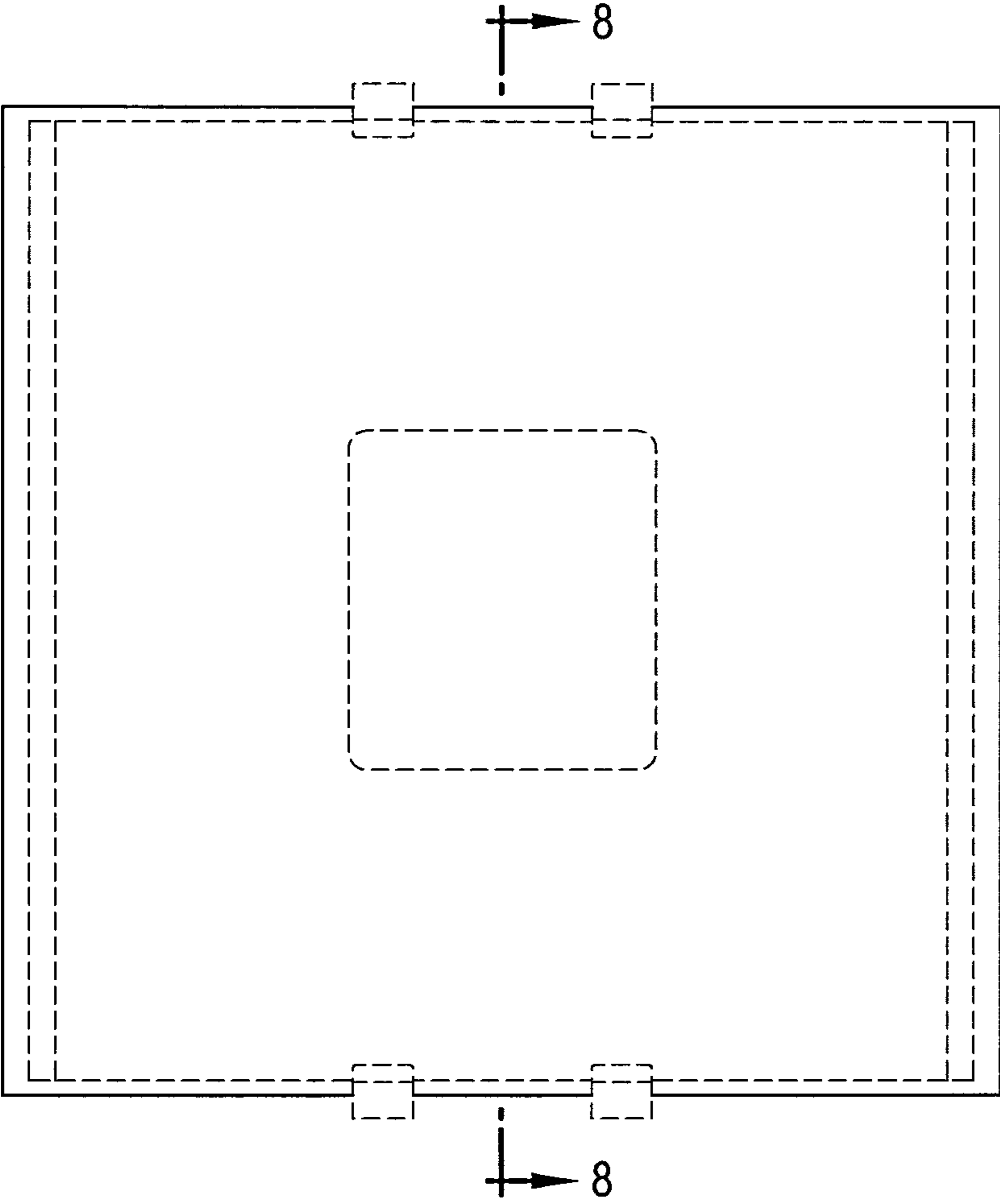


FIG.7

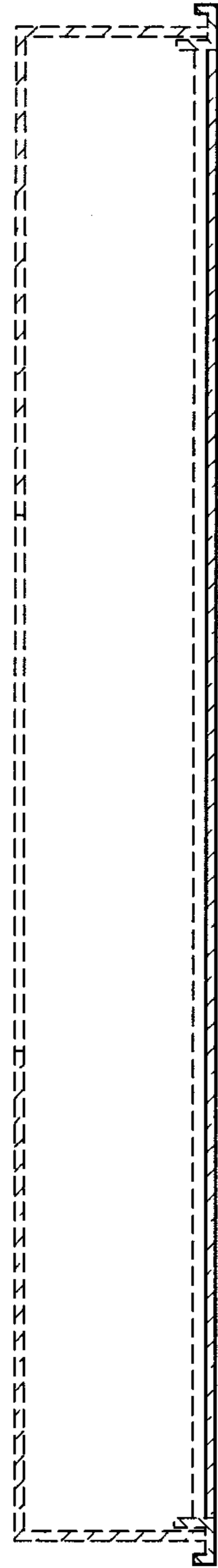


FIG.8

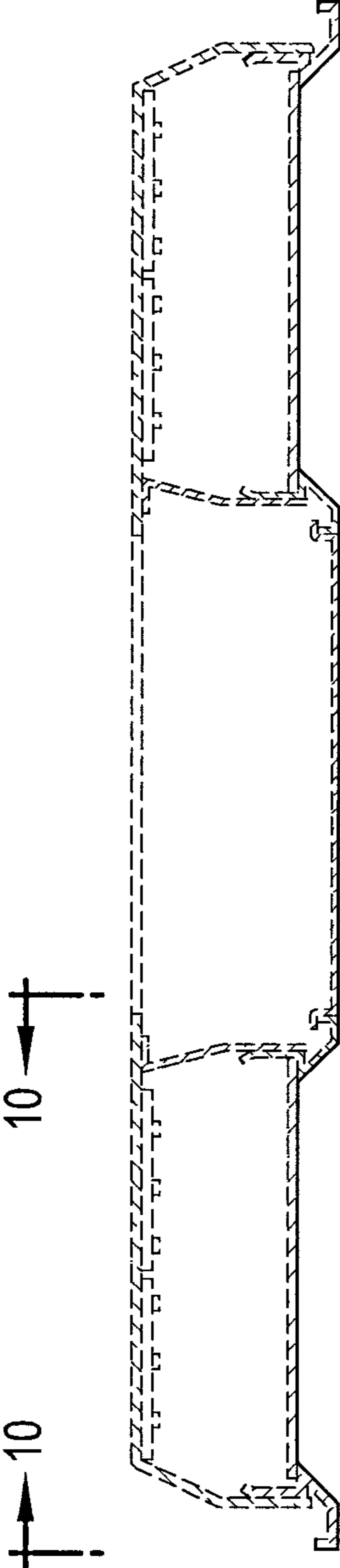


FIG.9

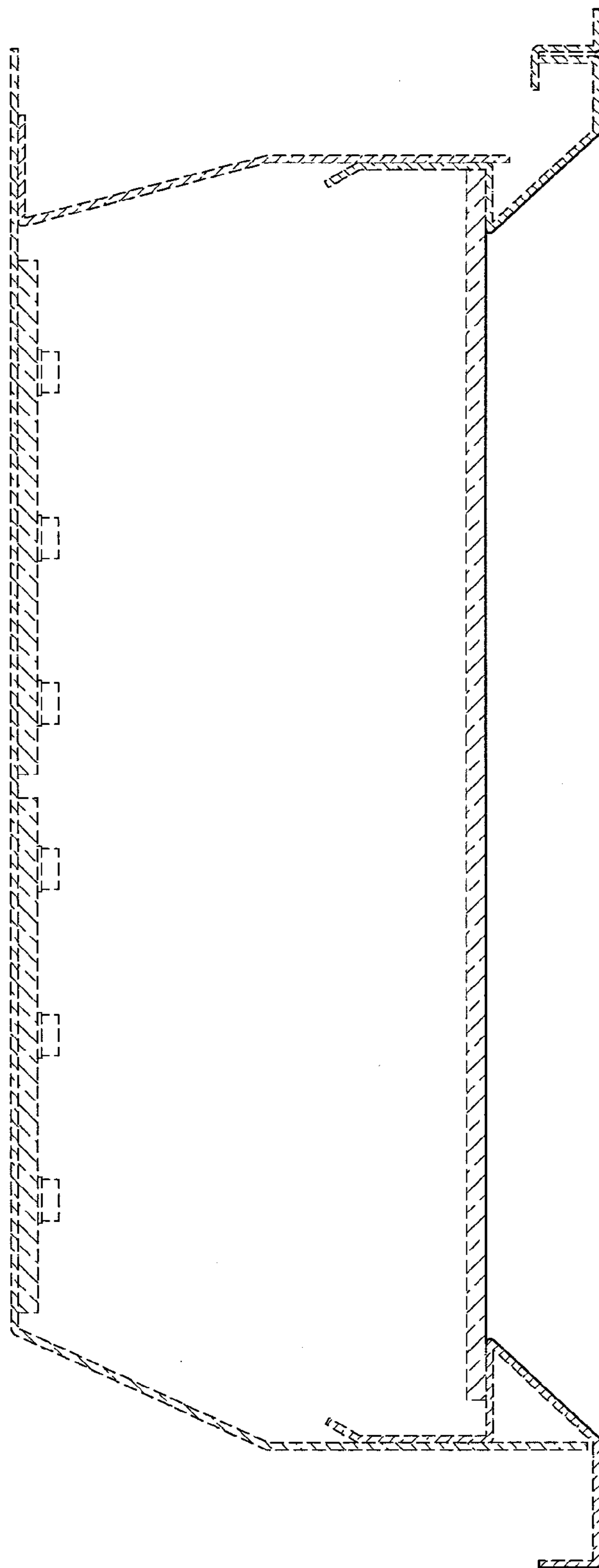


FIG.10