



US00D730555S

(12) **United States Design Patent**  
**Gebhard et al.**

(10) **Patent No.:** **US D730,555 S**

(45) **Date of Patent:** **\*\* May 26, 2015**

(54) **LED WORK LIGHT**

(71) Applicant: **Golight, Inc.**, Culbertson, NE (US)

(72) Inventors: **Albert W. Gebhard**, Denver, CO (US);  
**Colton D. Hosick**, Culbertson, NE (US)

(73) Assignee: **Golight, Inc.**, Culbertson, NE (US)

(\*\*) Term: **14 Years**

(21) Appl. No.: **29/478,811**

(22) Filed: **Jan. 8, 2014**

**Related U.S. Application Data**

(63) Continuation of application No. 29/471,723, filed on Nov. 4, 2013.

(51) **LOC (10) Cl.** ..... **26-05**

(52) **U.S. Cl.**  
USPC ..... **D26/72**

(58) **Field of Classification Search**  
USPC ..... D26/72, 63, 85, 118, 119, 138, 142;  
362/147, 373, 543-545, 249.02  
See application file for complete search history.

(56) **References Cited**

**U.S. PATENT DOCUMENTS**

D75,985 S *	8/1928	Rockhill	.....	D26/152
D149,124 S *	3/1948	Hewitt	.....	D26/63
D198,637 S *	7/1964	Hamilton et al.	.....	D26/24
D224,038 S *	6/1972	Adra	.....	D26/63
3,711,702 A *	1/1973	Adra	.....	362/345
3,936,670 A	2/1976	Allen		
4,345,304 A	8/1982	Penney et al.		
4,419,721 A	12/1983	Gregoire et al.		
4,428,033 A	1/1984	McBride		
5,019,951 A	5/1991	Osterhout et al.		
5,072,347 A	12/1991	Brunson		
D328,148 S *	7/1992	Waldmann	.....	D26/63
5,142,457 A	8/1992	Wehner		

D343,917 S *	2/1994	Yuen	.....	D26/50
D350,213 S *	8/1994	Druffel et al.	.....	D26/74
D357,087 S *	4/1995	Young	.....	D26/60
5,988,828 A	11/1999	Prince et al.		
6,350,040 B1	2/2002	Parker		
6,592,241 B1	7/2003	Kovacik		
6,752,514 B2	6/2004	Parker		
6,786,622 B1	9/2004	Rice		
6,890,086 B2	5/2005	Shiu		
6,955,447 B2	10/2005	Lui		
6,988,818 B2 *	1/2006	Tristram	.....	362/500
D518,218 S *	3/2006	Roberge et al.	.....	D26/63
D536,465 S	2/2007	Krieger et al.		

(Continued)

**OTHER PUBLICATIONS**

U.S. Appl. No. 29/471,723, filed Nov. 4, 2013; First Named Inventor: Albert W. Gebhard.

*Primary Examiner* — Clare E Heflin

(74) *Attorney, Agent, or Firm* — Margaret Polson; Polson Intellectual Property Law, PC

(57) **CLAIM**

The ornamental design for an LED work light, as shown and described.

**DESCRIPTION**

FIG. 1 is a front perspective view of our new design for an LED work light.

FIG. 2 is a front elevation view of FIG. 1.

FIG. 3 is a back elevation view of FIG. 1.

FIG. 4 is a top plan view of FIG. 1.

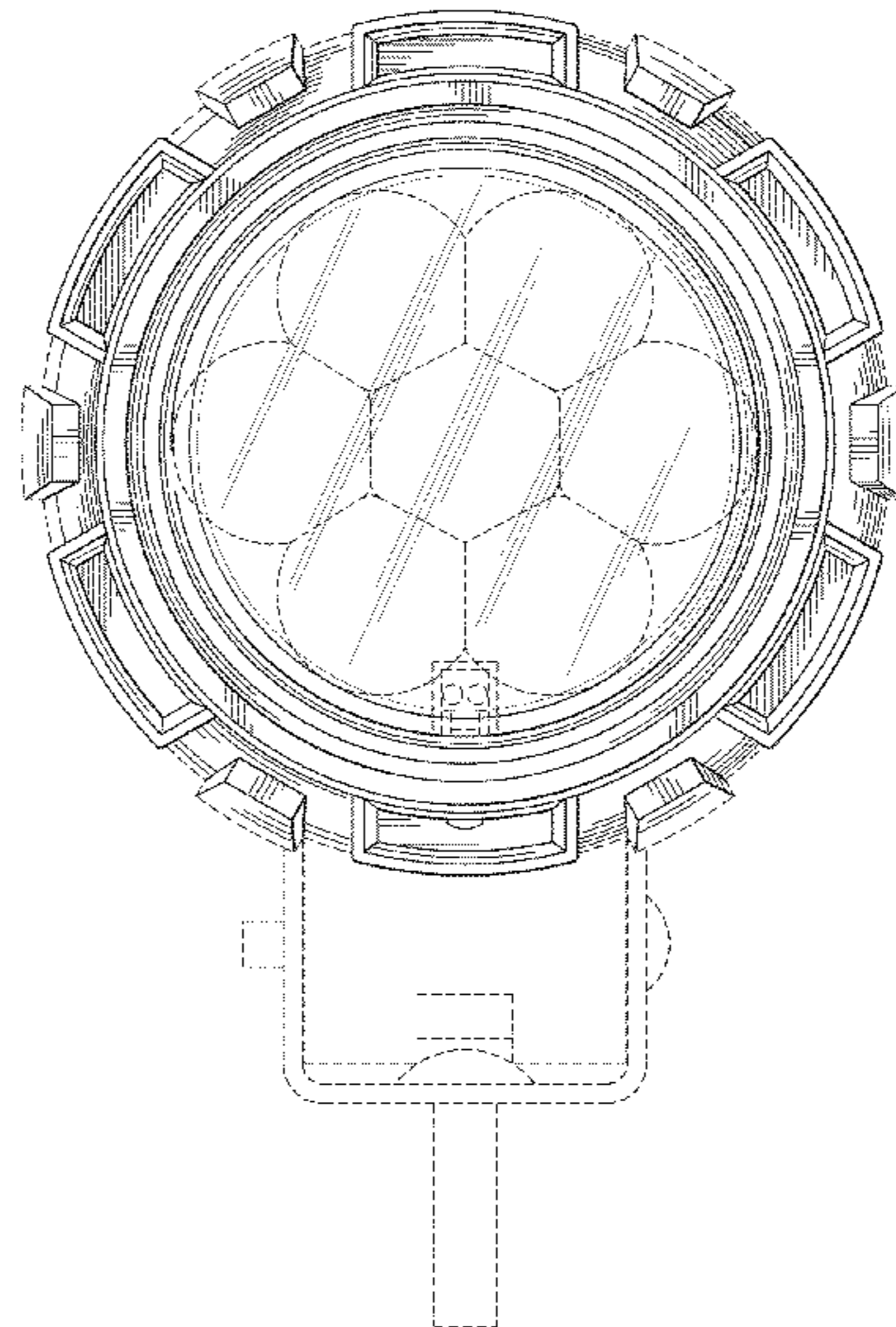
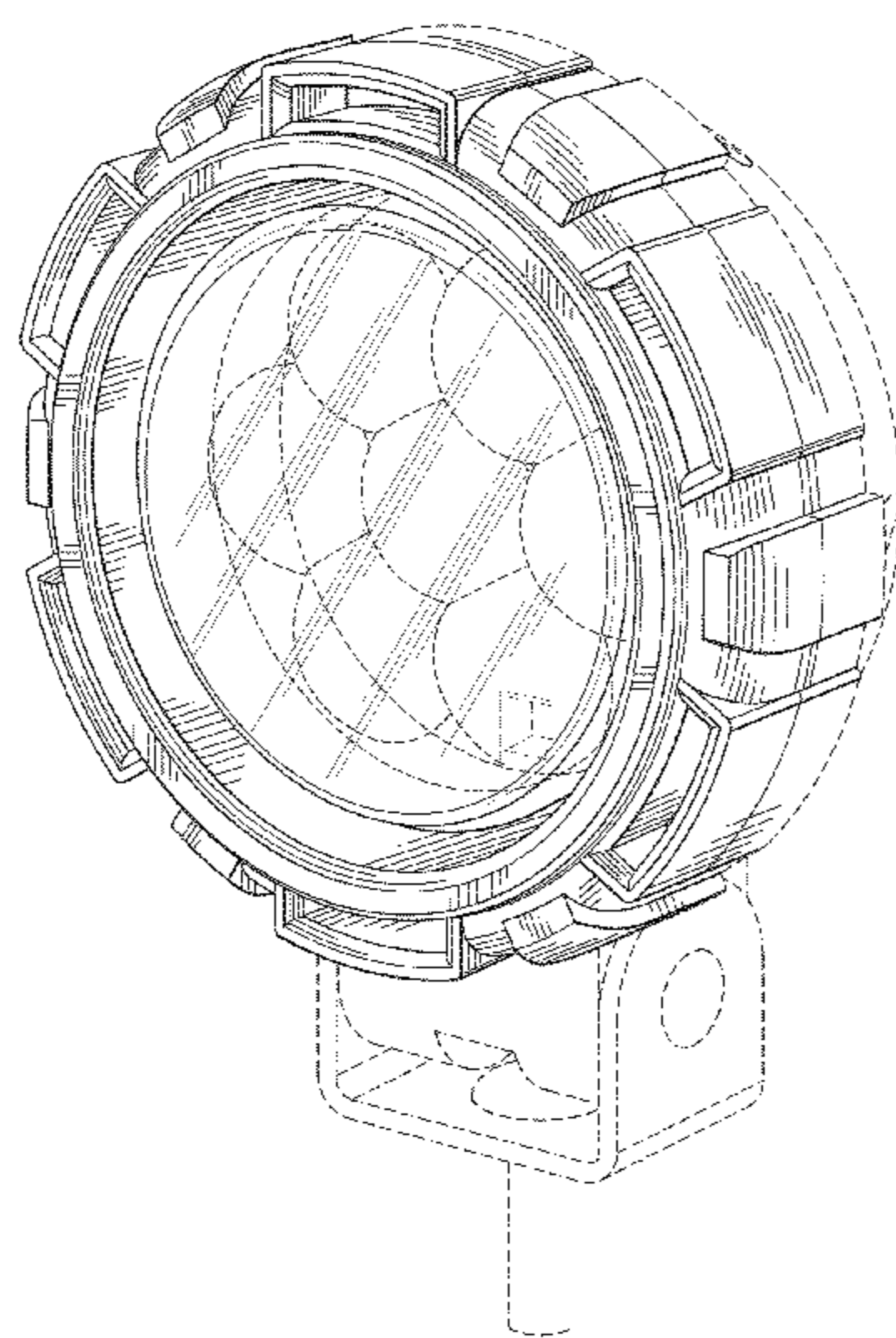
FIG. 5 is a bottom plan view of FIG. 1.

FIG. 6 is a right side elevation view of FIG. 1; and,

FIG. 7 is a left side elevation view of FIG. 1.

The mounting bracket, back cover and lenses are shown in broken lines for illustrative purposes only and form no part of the claimed design.

**1 Claim, 4 Drawing Sheets**



(56)

**References Cited**

U.S. PATENT DOCUMENTS

D540,977 S \* 4/2007 Hunkins ..... D26/119  
D551,786 S 9/2007 Smith  
D561,372 S \* 2/2008 Yan ..... D26/72  
D561,373 S \* 2/2008 Yan et al. .... D26/72  
D570,009 S \* 5/2008 Kani et al. .... D26/28  
D574,095 S \* 7/2008 Hill et al. .... D26/26  
D597,237 S 7/2009 Kumthampinij et al.

7,806,575 B2 \* 10/2010 Willwohl et al. .... 362/547  
7,914,162 B1 \* 3/2011 Huang ..... 362/92  
D636,118 S \* 4/2011 Kim et al. .... D26/138  
7,988,346 B2 \* 8/2011 Helms et al. .... 362/545  
D653,799 S \* 2/2012 Baker et al. .... D26/138  
D657,090 S \* 4/2012 Kaule et al. .... D26/138  
D689,232 S \* 9/2013 Velazquez ..... D26/63  
D694,928 S \* 12/2013 Chen ..... D26/63  
8,727,564 B2 \* 5/2014 Watanabe ..... 362/235

\* cited by examiner

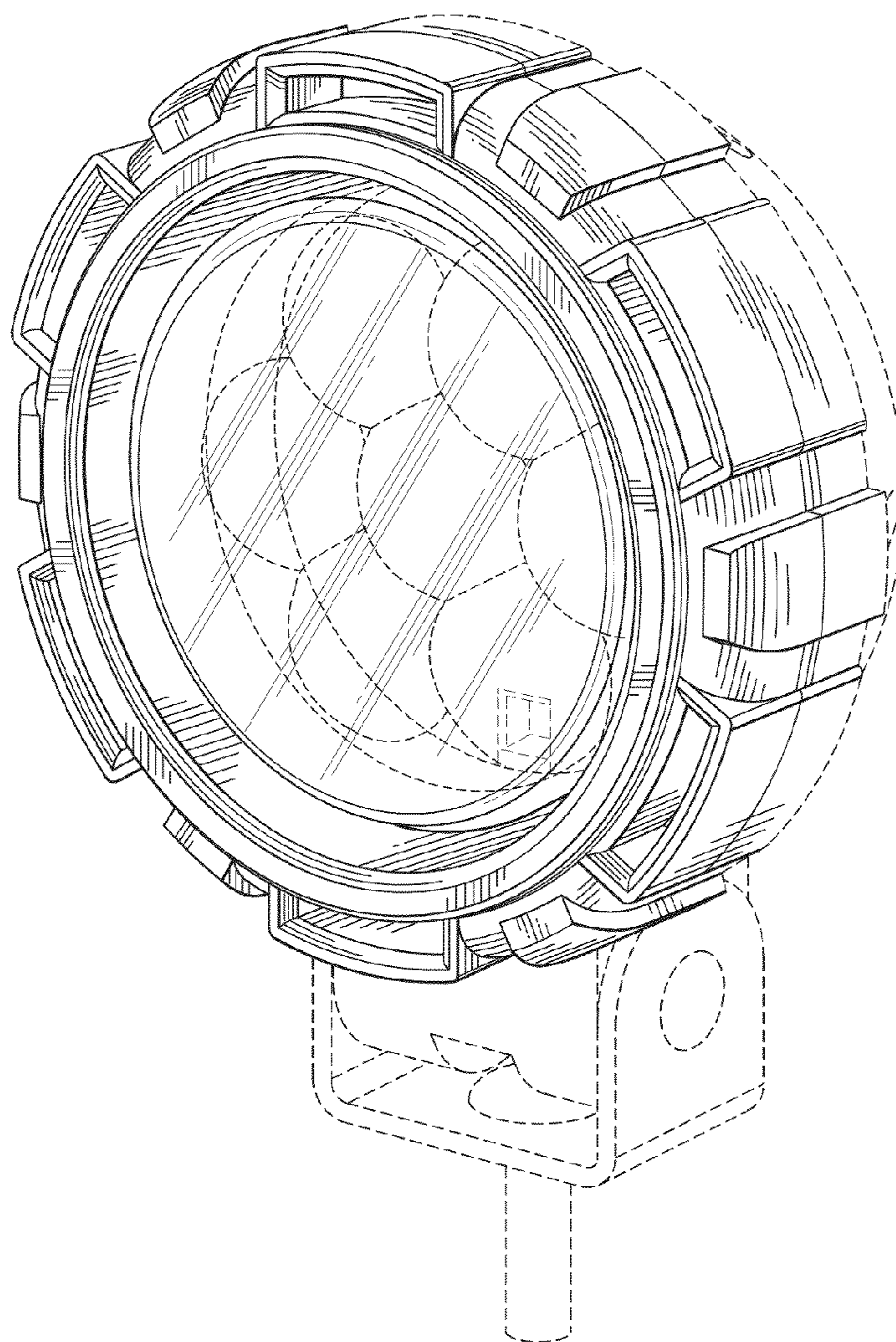


FIG.1

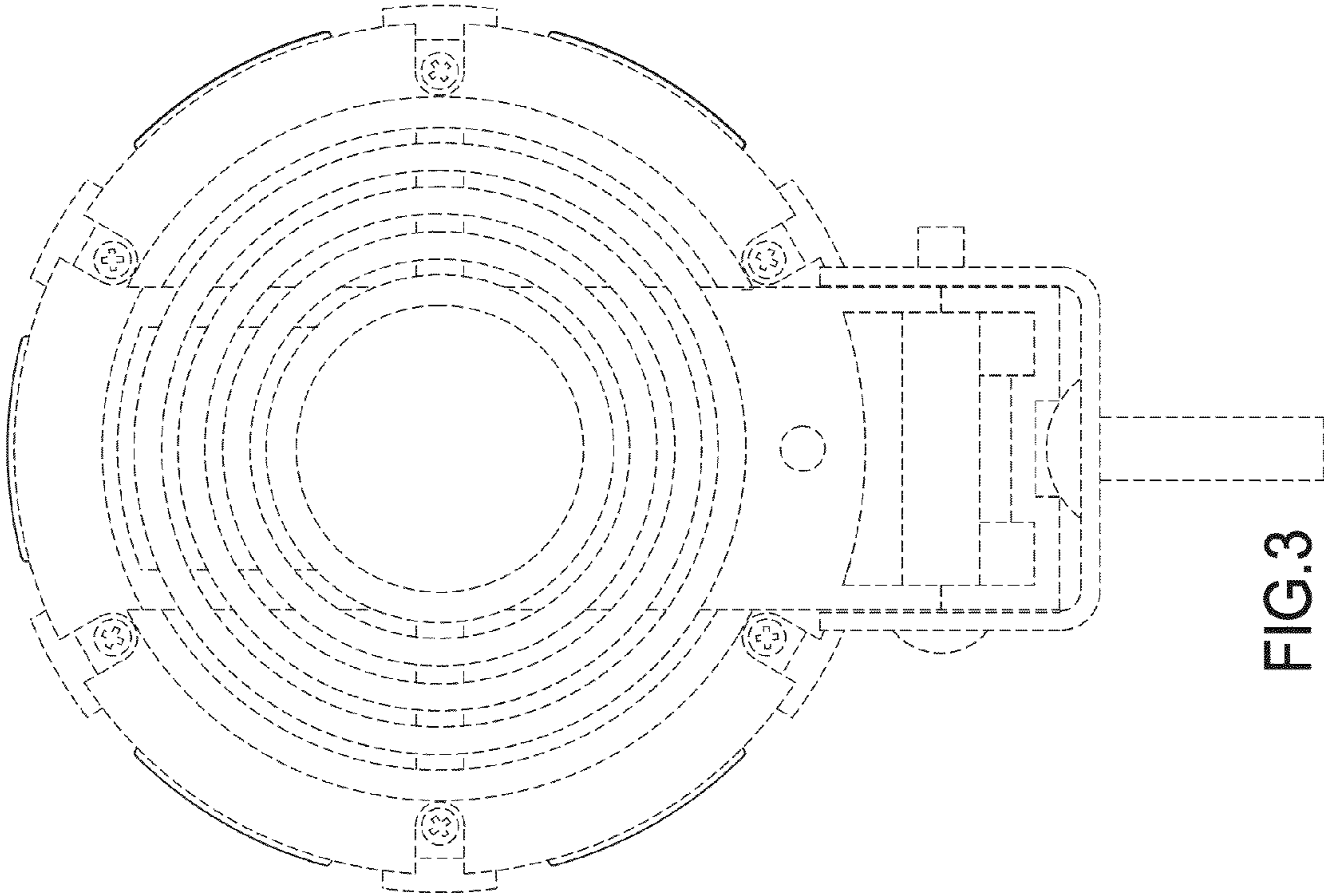


FIG.3

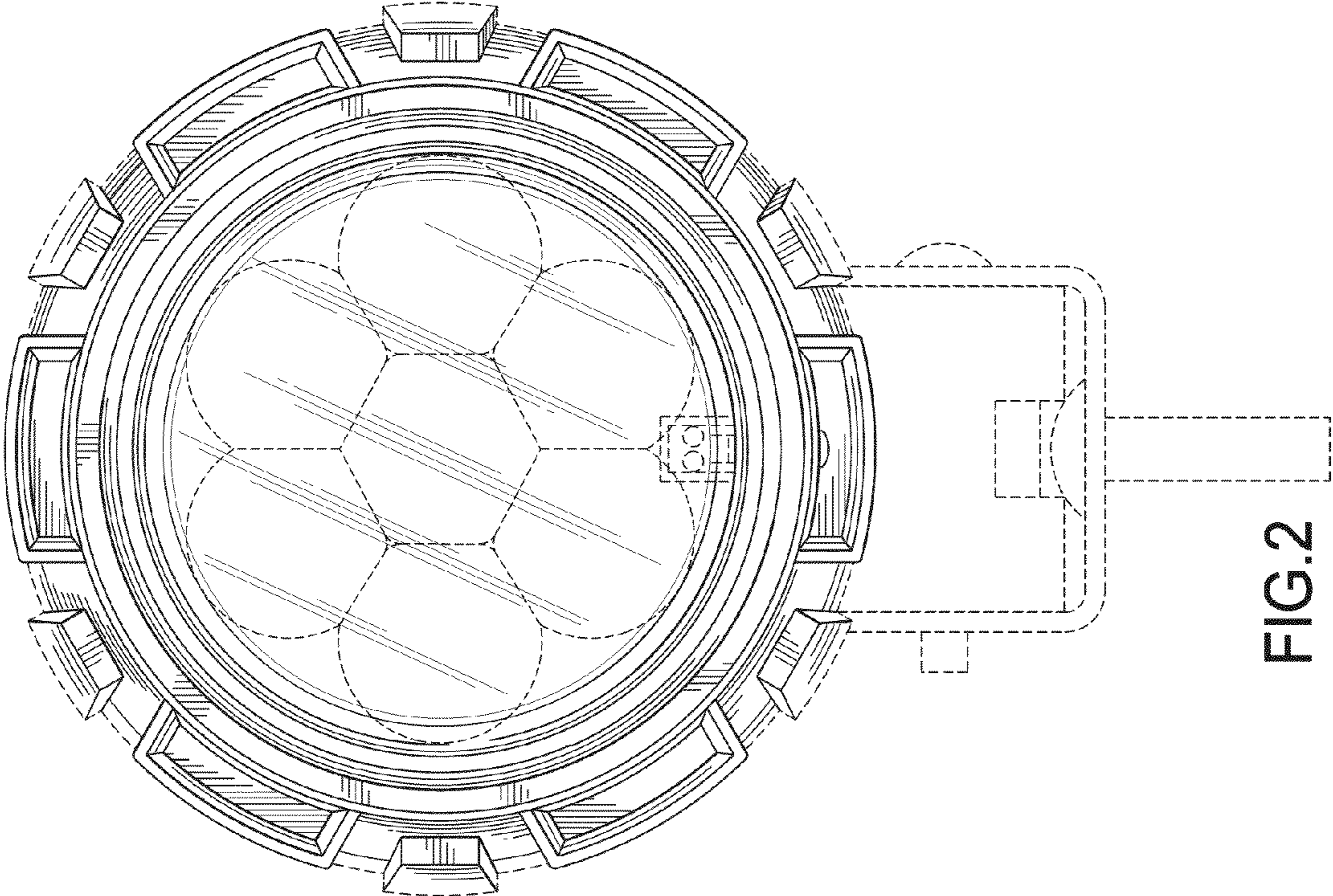


FIG.2

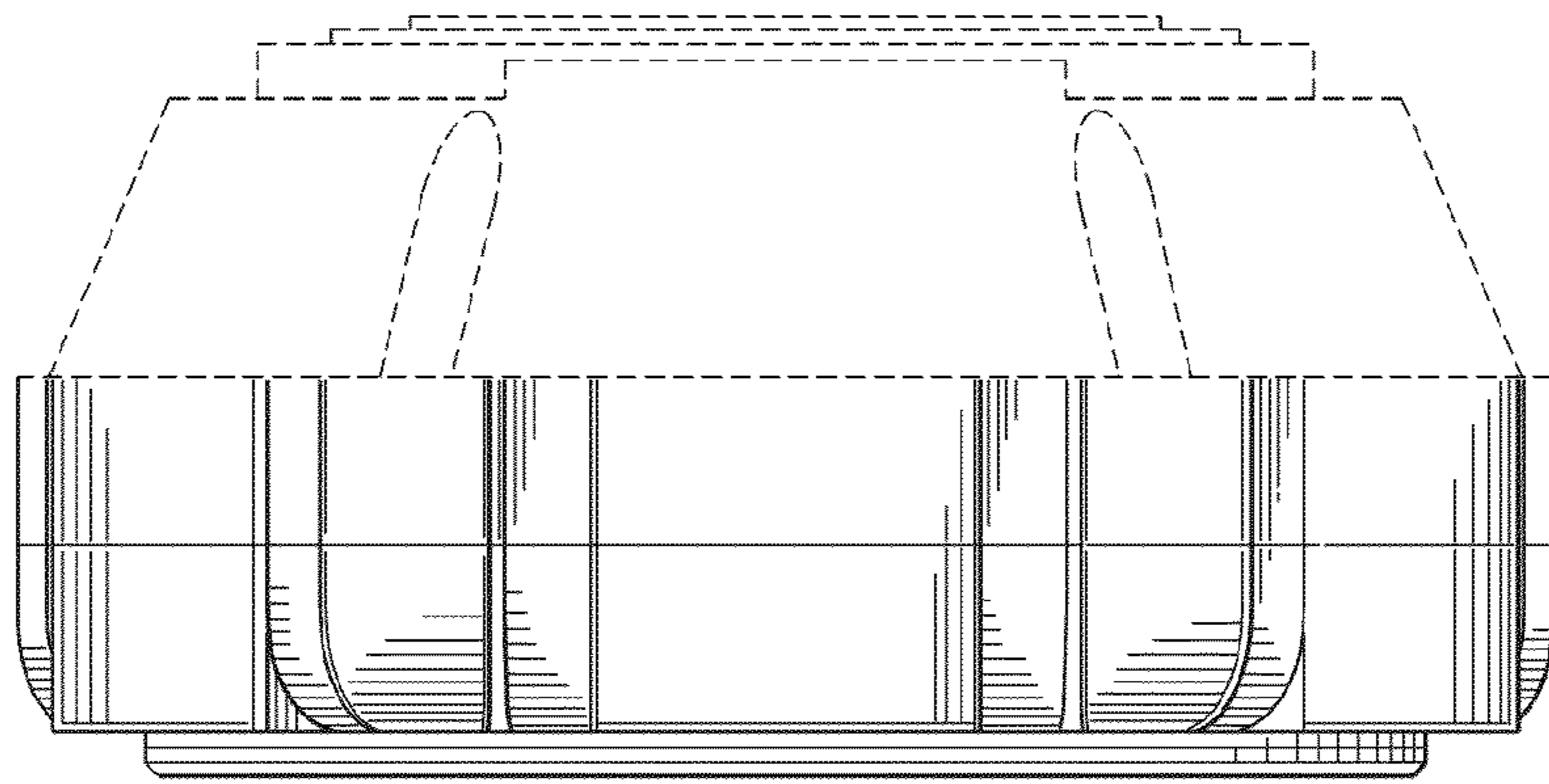


FIG. 4

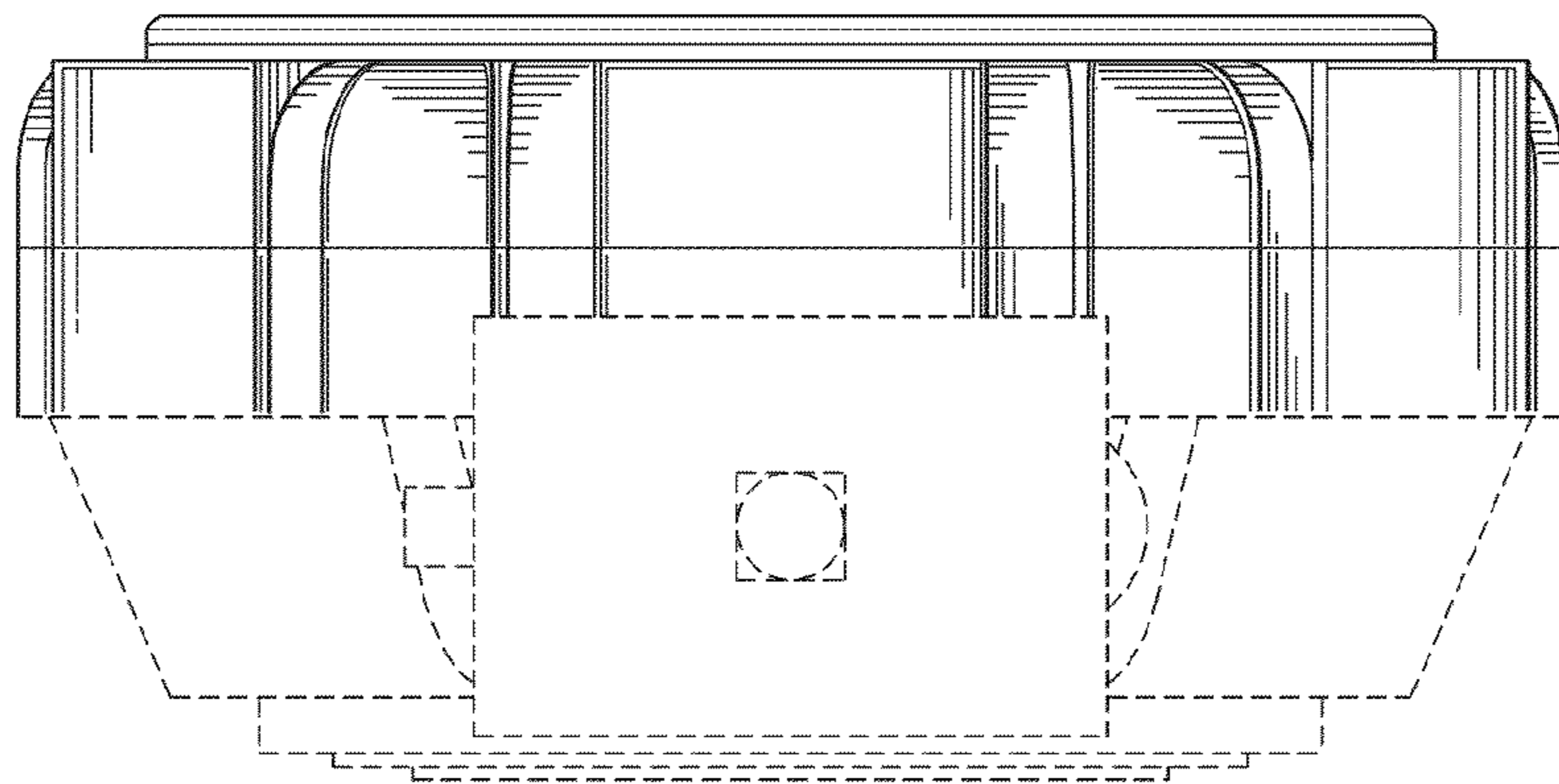


FIG. 5

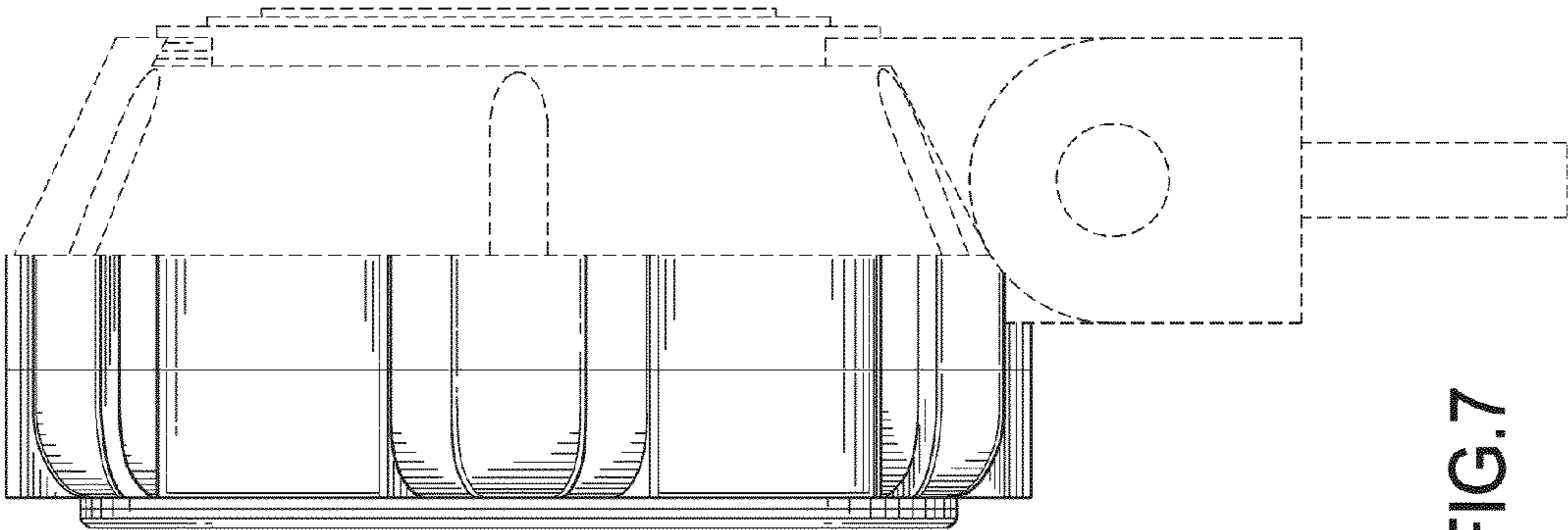


FIG.7

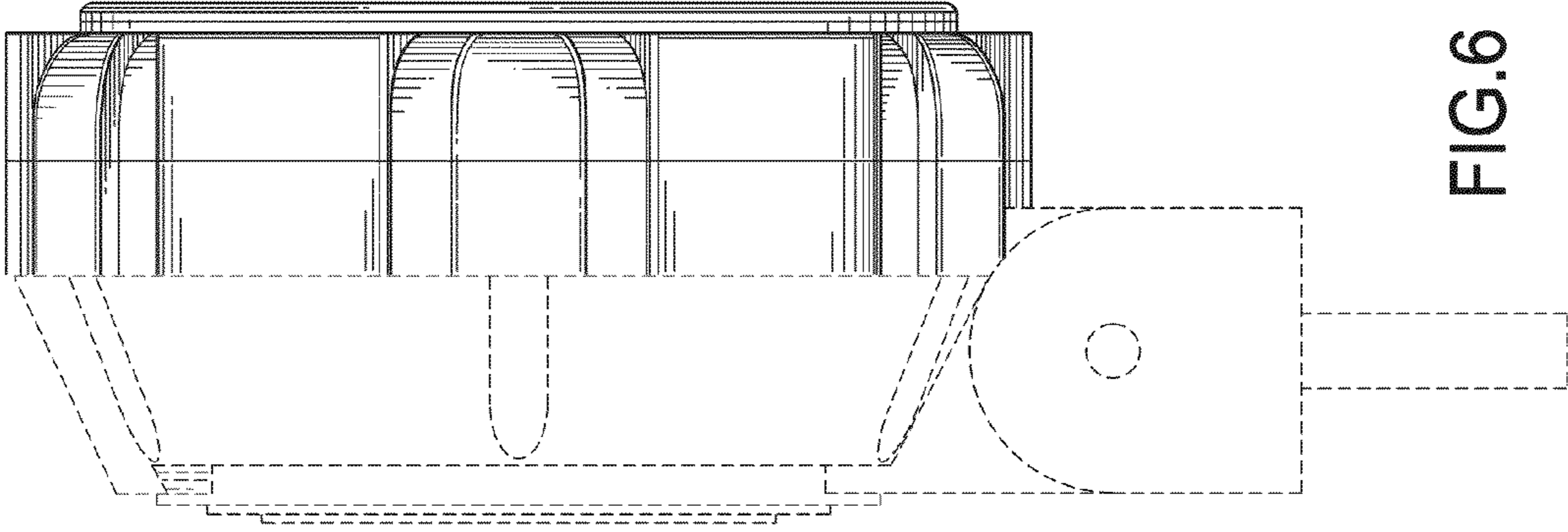


FIG.6