



US00D730554S

(12) **United States Design Patent**
Orellana

(10) **Patent No.:** **US D730,554 S**

(45) **Date of Patent:** **** May 26, 2015**

(54) **LIGHTING FIXTURE**

(71) Applicant: **U.S. Pole Company, Inc.**, Palmdale, CA
(US)

(72) Inventor: **Angel M. Orellana**, Los Angeles, CA
(US)

(73) Assignee: **U.S. Pole Company, Inc.**, Palmdale, CA
(US)

(**) Term: **14 Years**

(21) Appl. No.: **29/500,271**

(22) Filed: **Aug. 22, 2014**

(51) **LOC (10) Cl.** **26-05**

(52) **U.S. Cl.**
USPC **D26/67**

(58) **Field of Classification Search**
USPC D26/67, 68, 72, 85, 87, 128-134;
362/147, 431, 432; D22/120

See application file for complete search history.

(56) **References Cited**

U.S. PATENT DOCUMENTS

D87,483 S * 8/1932 Del Purgatorio D26/110
D189,984 S * 3/1961 Slaton D26/67
D202,808 S * 11/1965 Dailey D26/67

D208,101 S * 7/1967 Koziol D26/67
D208,941 S * 10/1967 Koziol D26/67
D212,383 S * 10/1968 D'Ercoli D26/67
D217,086 S * 4/1970 Miller D22/123
D320,092 S * 9/1991 Liu D26/68
D427,352 S * 6/2000 Miranda D26/72
D427,355 S * 6/2000 Miranda D26/87
D465,873 S * 11/2002 De'Armond D26/92
D515,231 S * 2/2006 Randazzo et al. D26/67
D553,284 S * 10/2007 Bucher et al. D26/67
D672,486 S * 12/2012 Chen D26/67
D694,931 S * 12/2013 Meyer et al. D26/67

* cited by examiner

Primary Examiner — Clare E Heflin

(74) *Attorney, Agent, or Firm* — Christie, Parker & Hale, LLP

(57) **CLAIM**

The ornamental design for a lighting fixture, as shown and described.

DESCRIPTION

FIG. 1 is a perspective view of thereof the design;
FIG. 2 is a side view thereof;
FIG. 3 is a top view thereof; and,
FIG. 4 is a bottom view thereof.

The broken lines shown on the drawings depict portions of the lighting fixture that form no part of the claimed design.

1 Claim, 4 Drawing Sheets

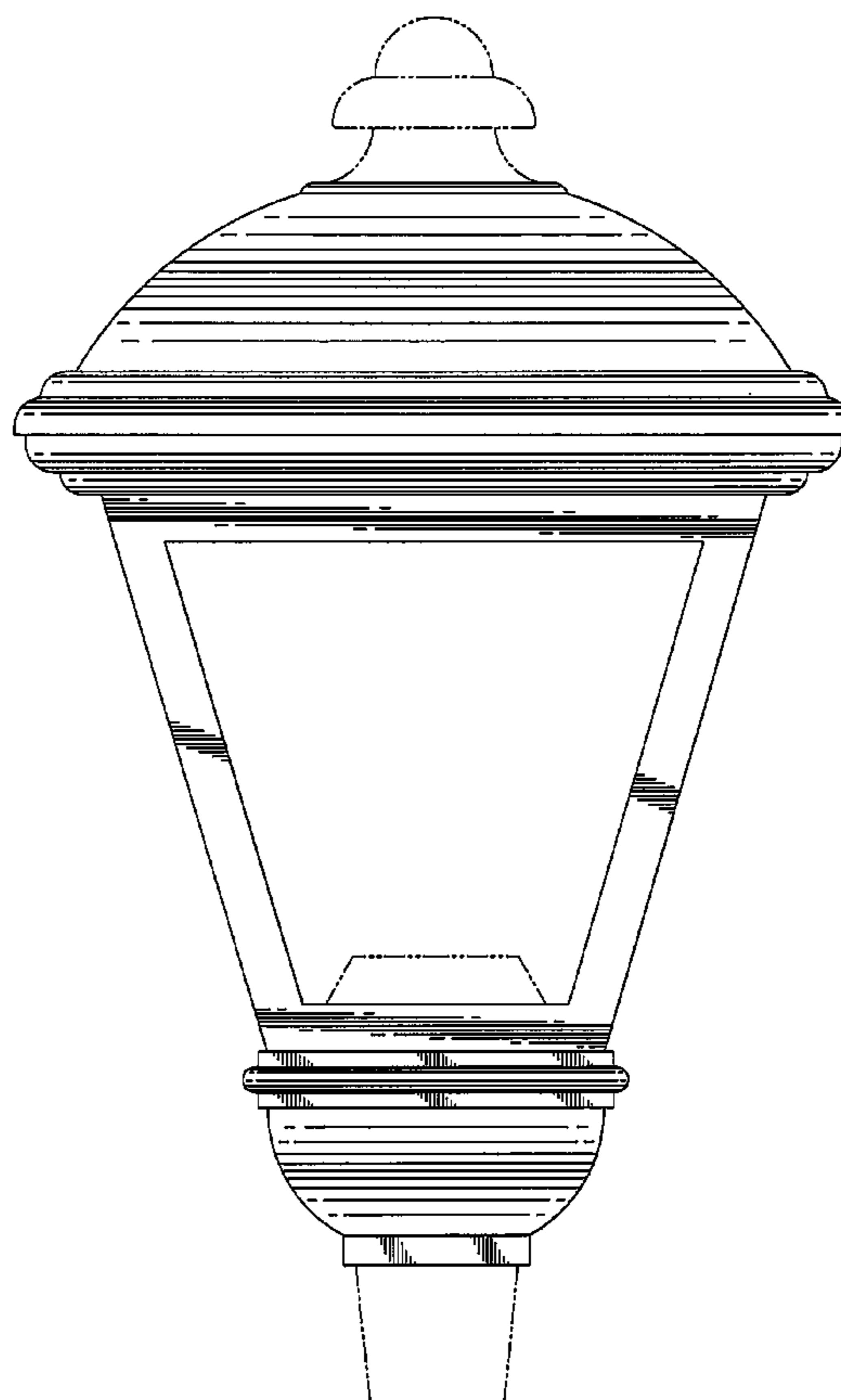
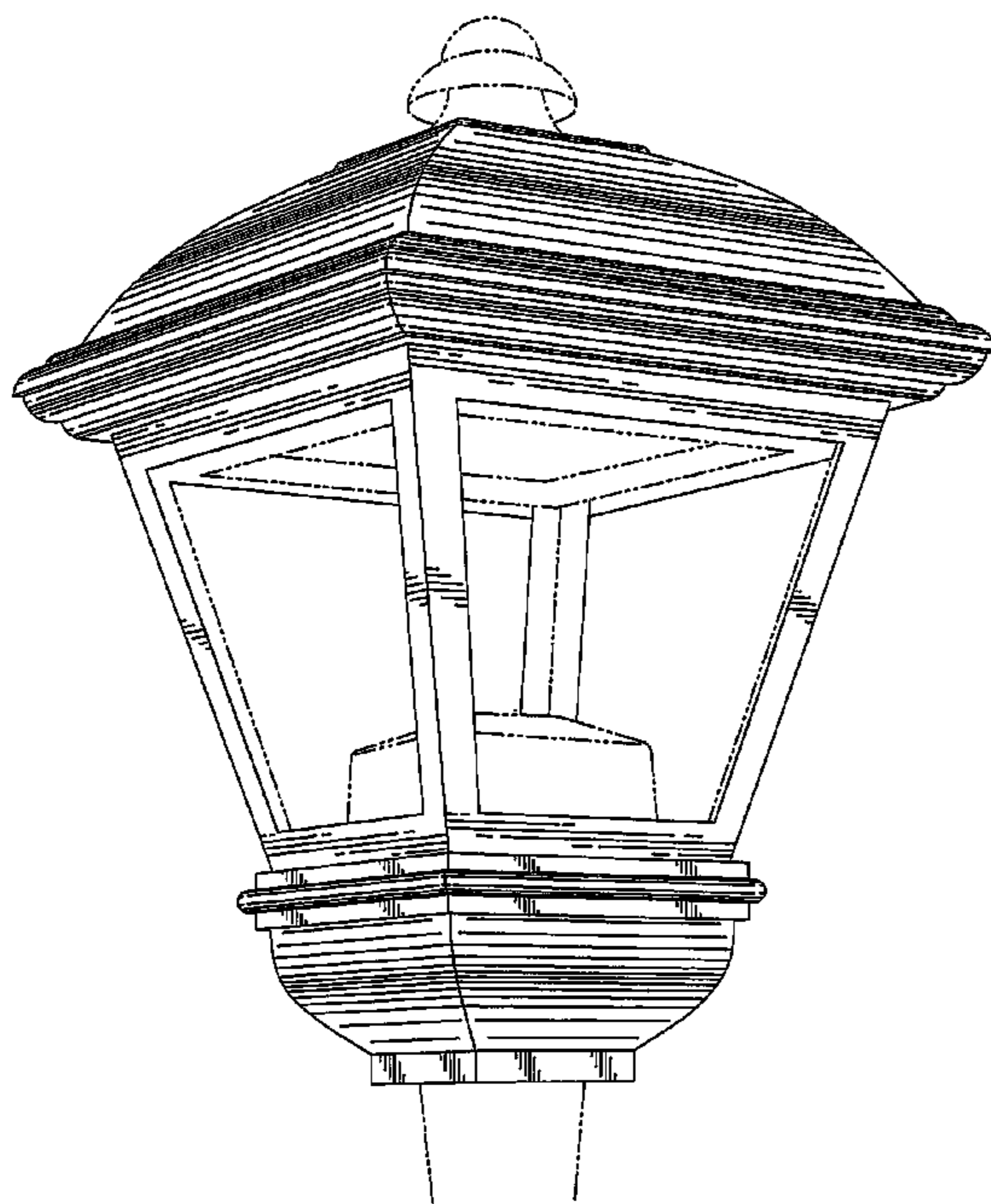


FIG. 1

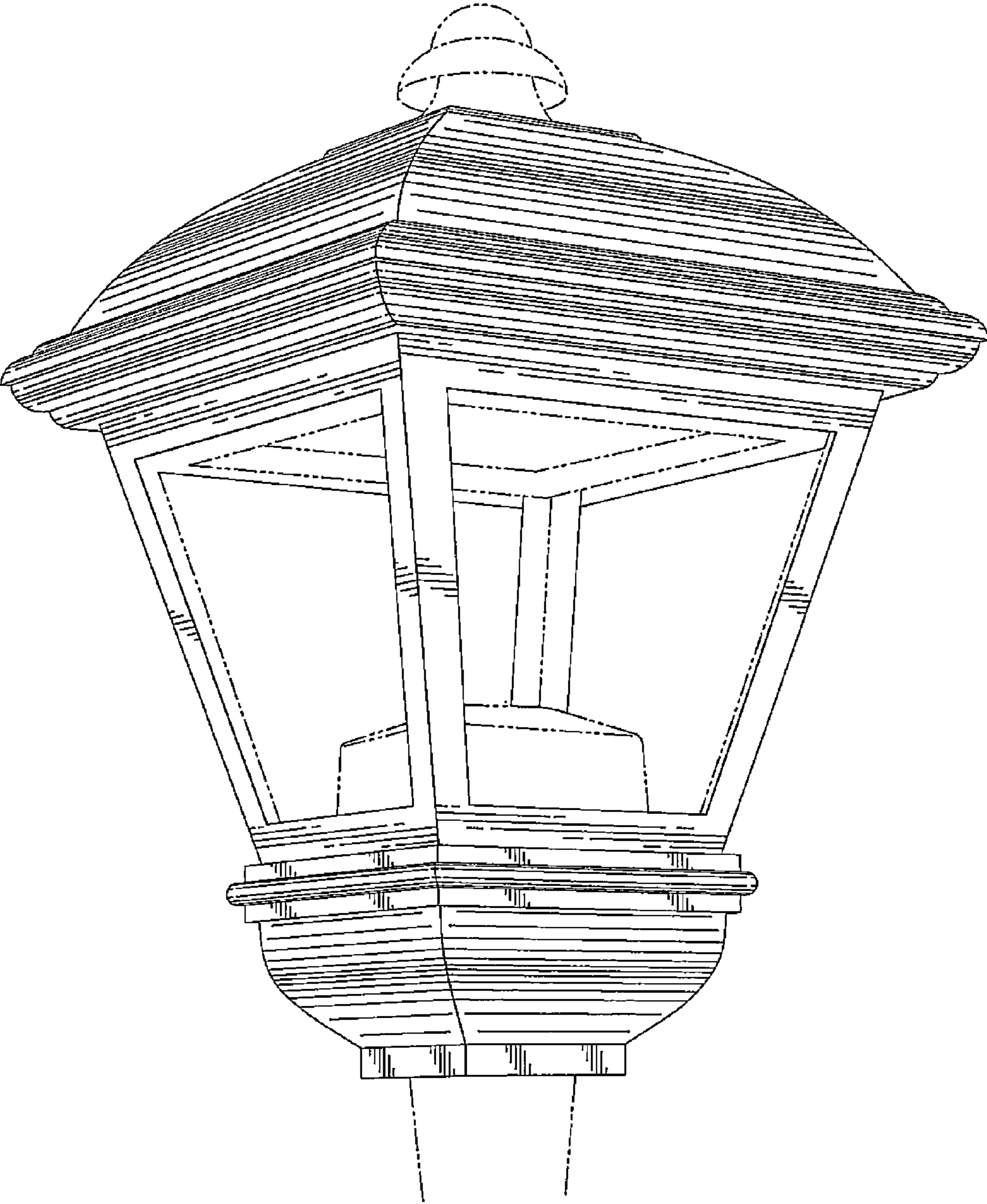


FIG. 2

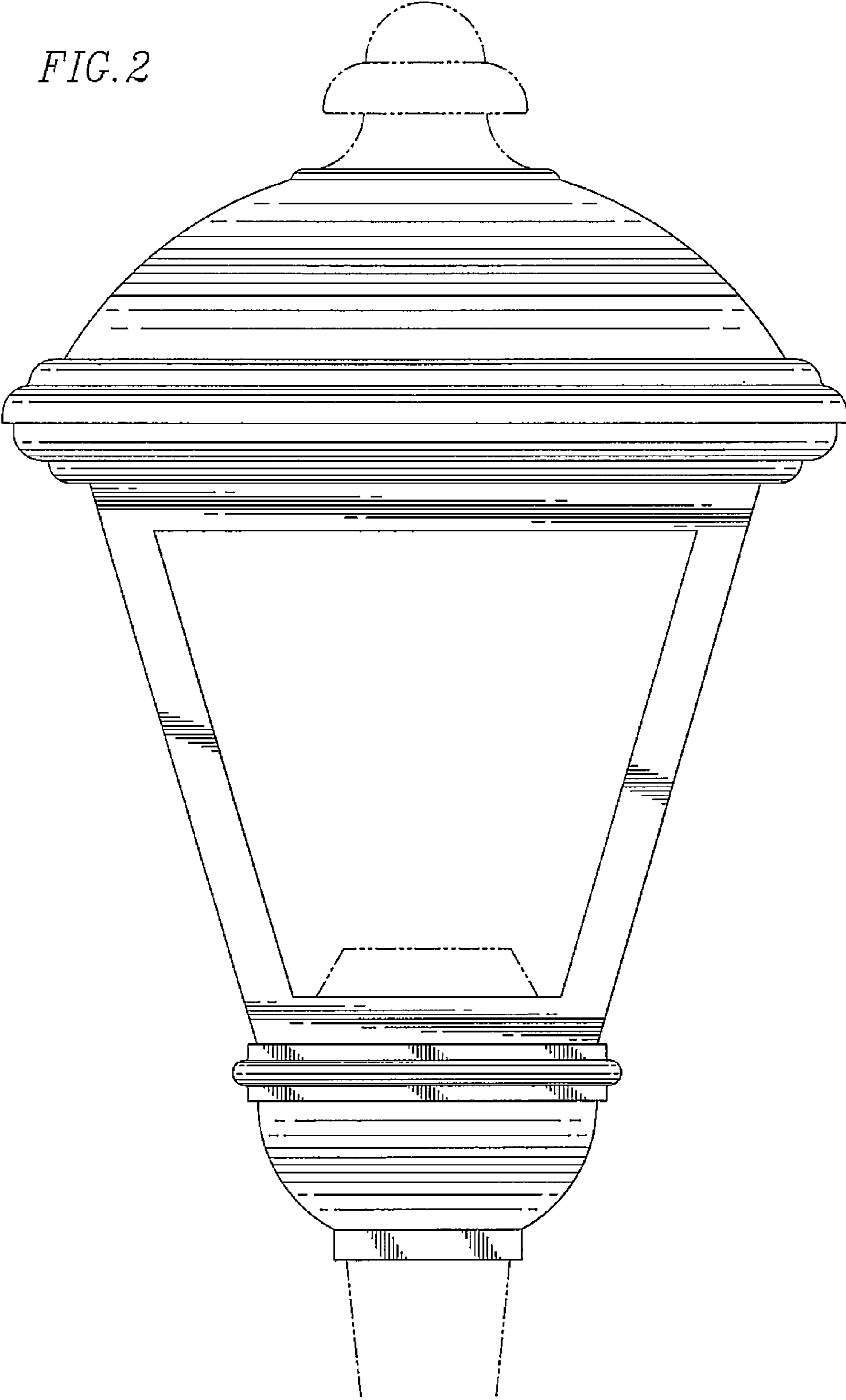


FIG. 3

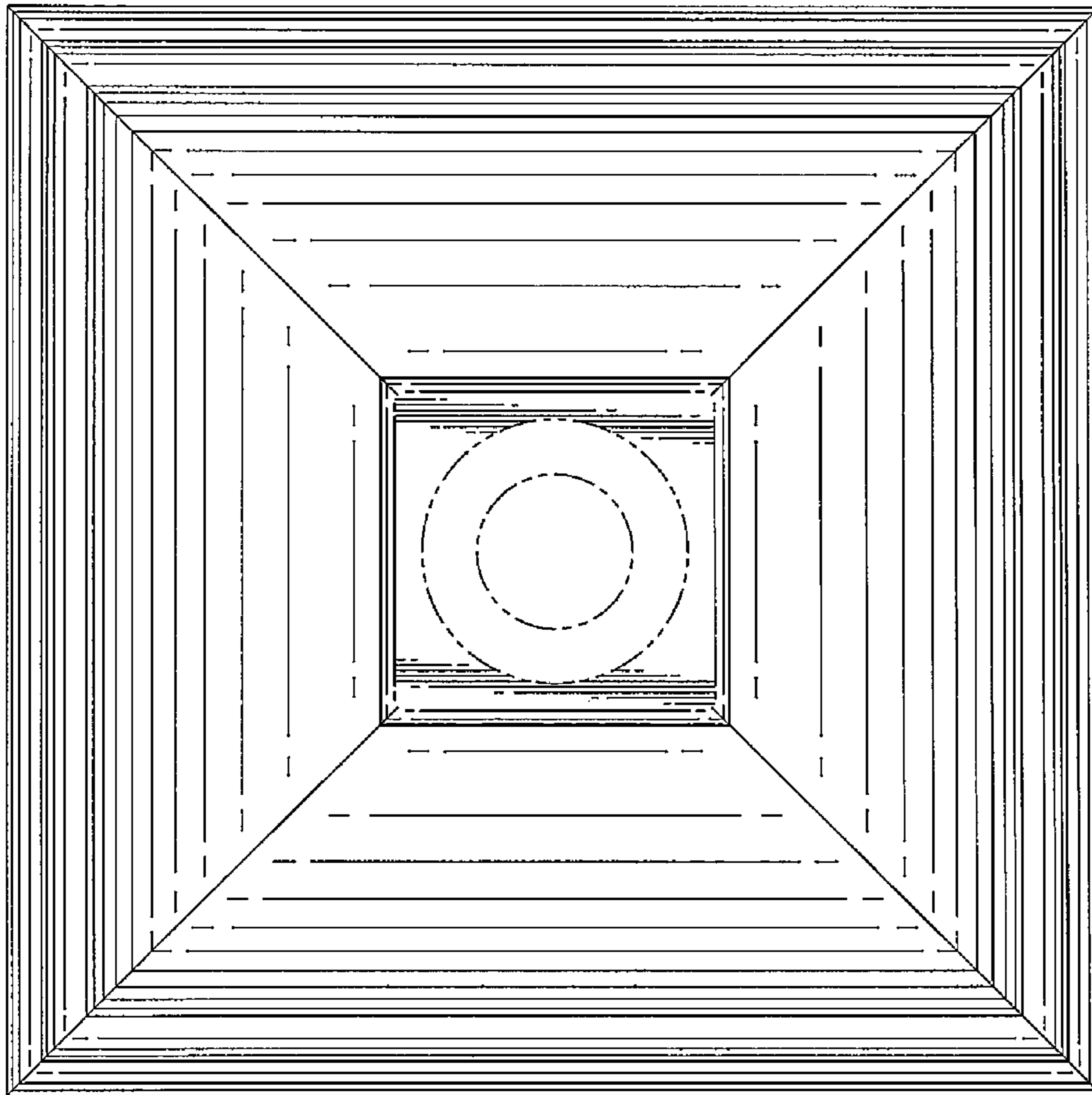


FIG. 4

