



US00D730548S

(12) **United States Design Patent**
Elwell et al.

(10) **Patent No.:** **US D730,548 S**

(45) **Date of Patent:** **** May 26, 2015**

(54) **LED LIGHT BLOCK**

(71) Applicants: **James Elwell**, Grimes, IA (US); **Jason Schmid**, Des Moines, IA (US)

(72) Inventors: **James Elwell**, Grimes, IA (US); **Jason Schmid**, Des Moines, IA (US)

(73) Assignee: **Putco, Inc.**, Des Moines, IA (US)

(**) Term: **14 Years**

(21) Appl. No.: **29/471,279**

(22) Filed: **Oct. 30, 2013**

(51) **LOC (10) Cl.** **26-04**

(52) **U.S. Cl.**
USPC **D26/1**

(58) **Field of Classification Search**
USPC D26/1-4; 313/313, 315, 316, 317, 318,
313/493; 315/52, 53, 56, 57, 58

See application file for complete search history.

(56) **References Cited**

U.S. PATENT DOCUMENTS

D671,661 S * 11/2012 Leung D26/1

* cited by examiner

Primary Examiner — Marcus Jackson

(74) *Attorney, Agent, or Firm* — G. Brian Pingel; Camille L. Urban; David M. Breiner

(57) **CLAIM**

The ornamental design for a LED light block, as shown and described.

DESCRIPTION

FIG. 1 is a perspective view of a LED light block showing their new design;

FIG. 2 is a front elevational view thereof;

FIG. 3 is a side elevational view of one side thereof;

FIG. 4 is a side elevational view of the opposite side thereof;

FIG. 5 is a top plan view thereof the bottom view being a mirror image thereof; and,

FIG. 6 is a rear elevational view thereof.

1 Claim, 2 Drawing Sheets

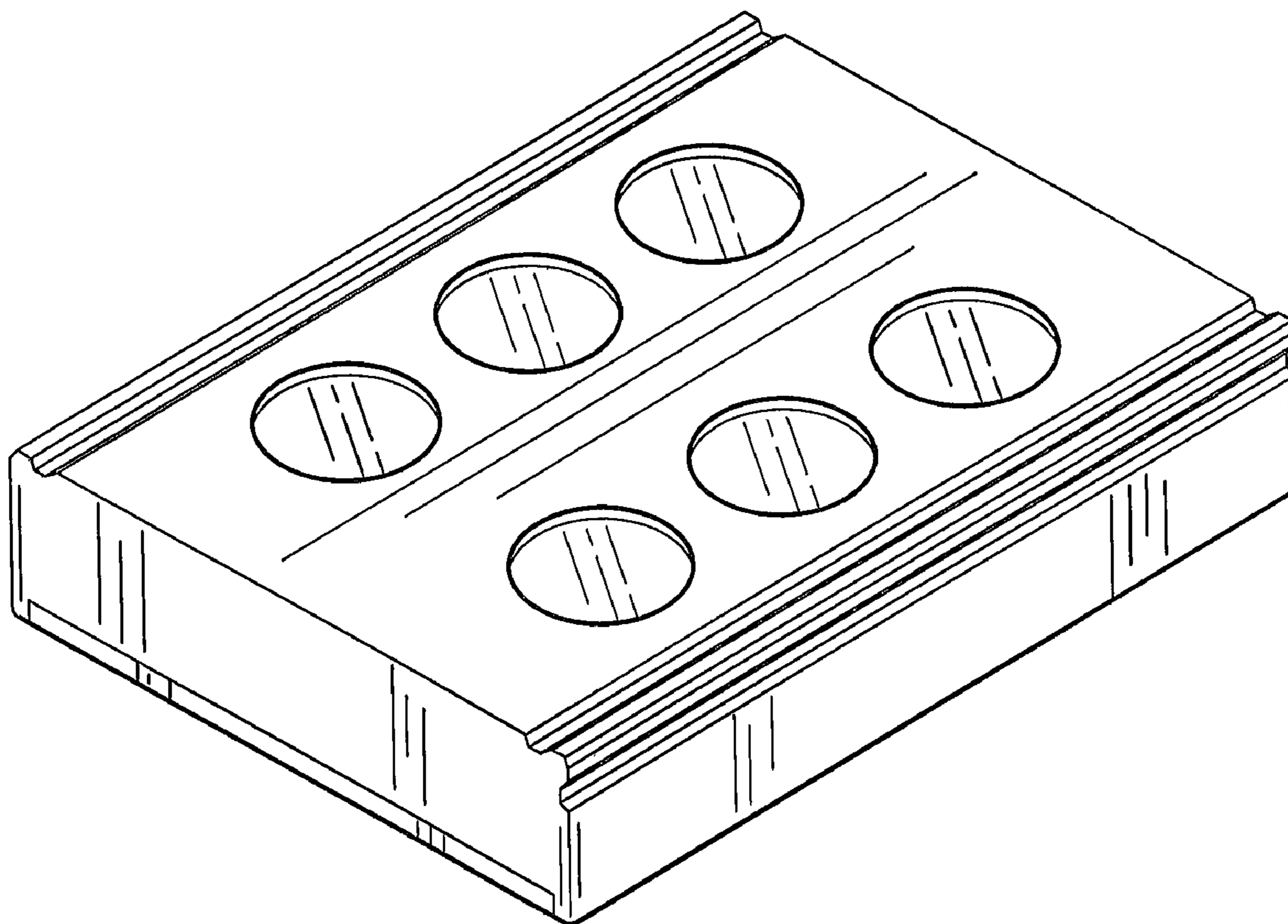


Fig. 1

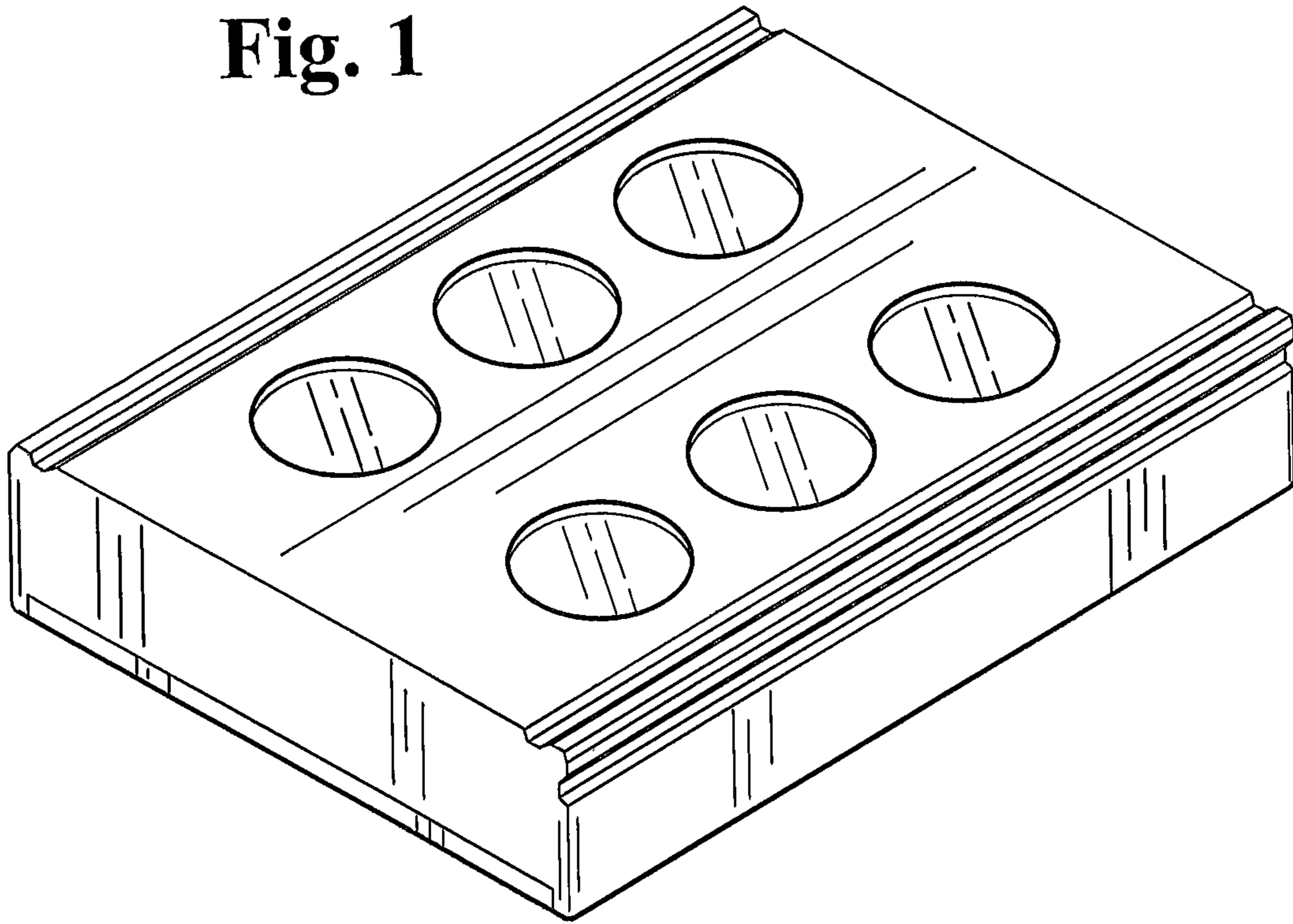


Fig. 2

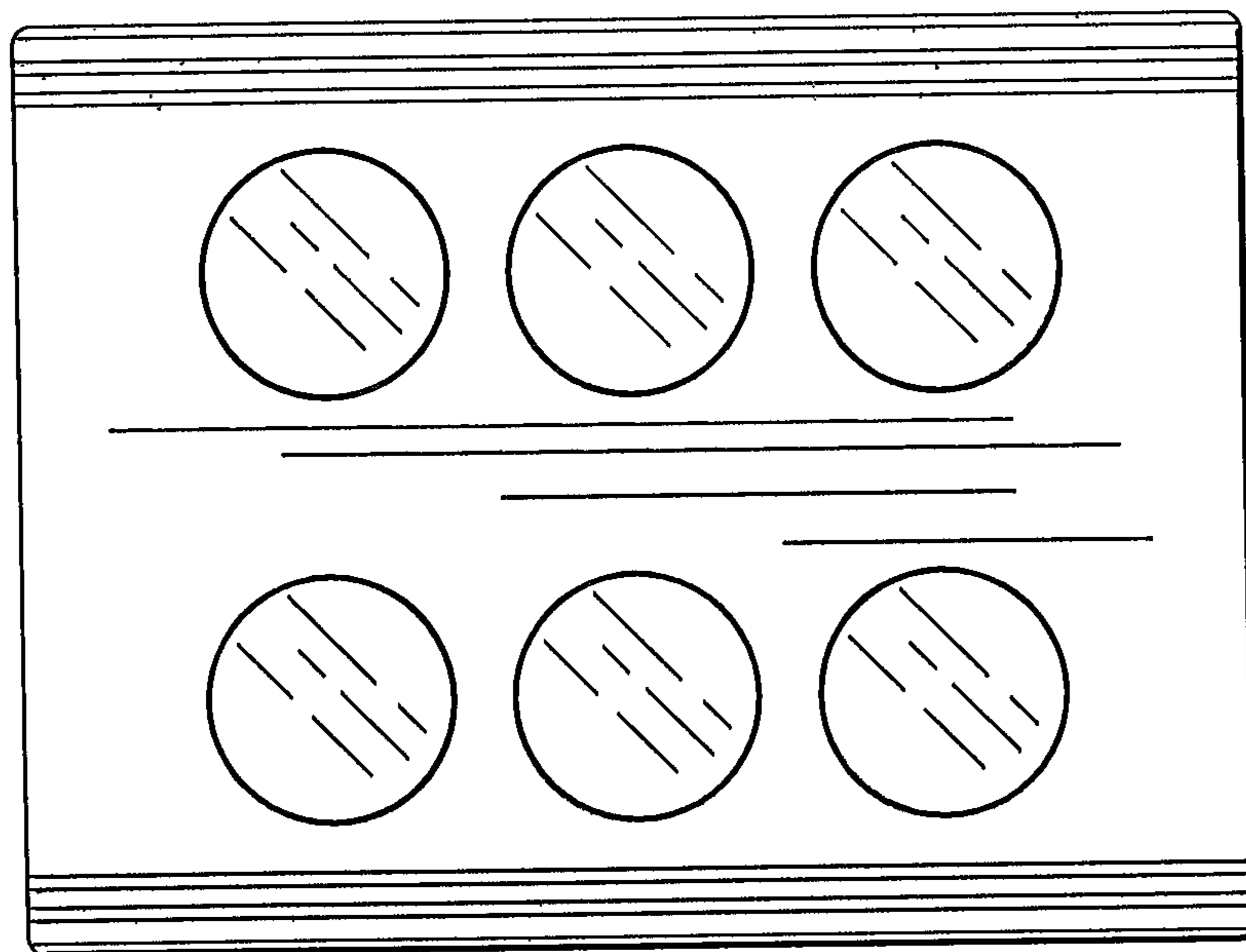


Fig. 3

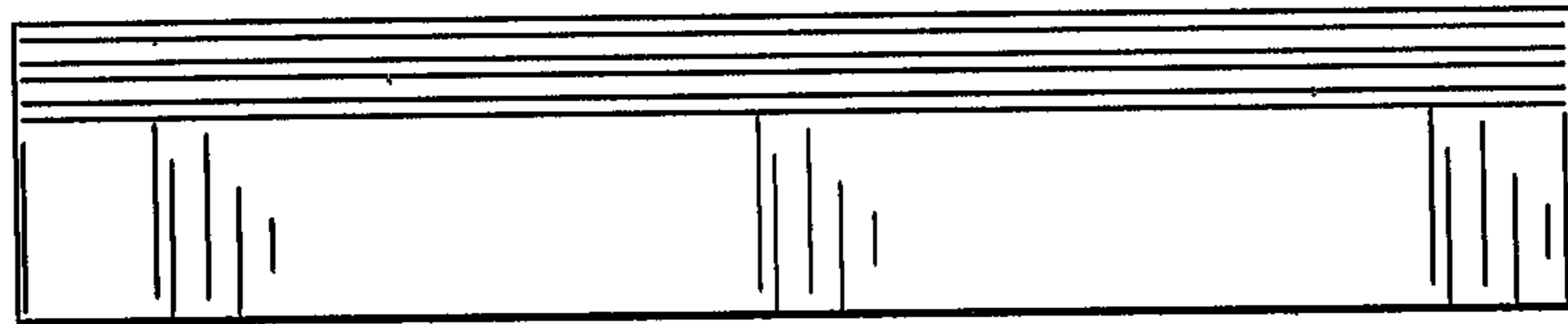


Fig. 4

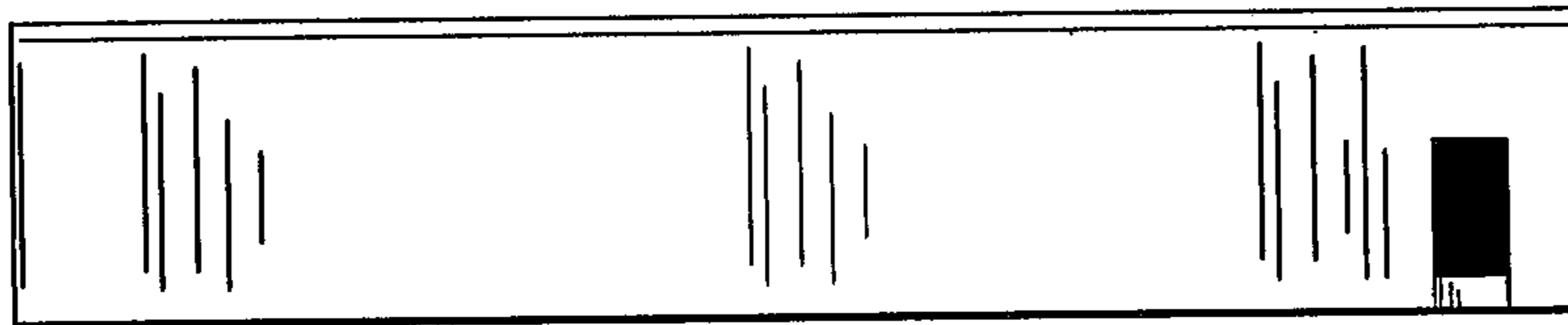


Fig. 5

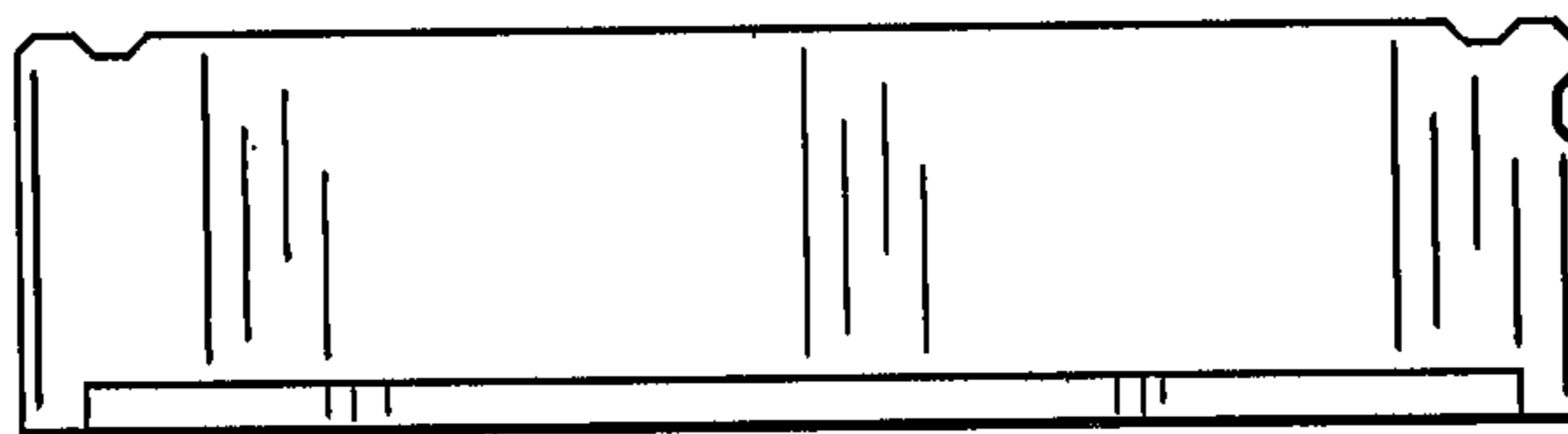


Fig. 6

