



US00D730546S

(12) **United States Design Patent**
Baum et al.

(10) **Patent No.:** **US D730,546 S**
(45) **Date of Patent:** **** May 26, 2015**

(54) **LED-MODULE WITHOUT REFLECTOR**

D548,857 S * 8/2007 Egawa D26/1
D600,836 S * 9/2009 Hanley et al. D26/1
D625,847 S * 10/2010 Maglica D26/1
D626,255 S * 10/2010 Hiratsuka D26/1

(71) Applicant: **BLV LICHT-UND**
VAKUUMTECHNIK GMBH,
Steinhoering (DE)

* cited by examiner

(72) Inventors: **Thorsten Baum,** Schnaitsee (DE);
Tetsuo Kato, Zorneding (DE)

Primary Examiner — Marcus Jackson

(74) *Attorney, Agent, or Firm* — Wood, Herron & Evans,
LLP

(73) Assignee: **BLV LICHT-UND**
VAKUUMTECHNIK GMBH,
Steinhoering (DE)

(57) **CLAIM**

The ornamental design for a LED-module without reflector,
as shown and described.

(**) Term: **14 Years**

DESCRIPTION

(21) Appl. No.: **29/442,921**

The patent or application file contains at least one photograph
executed in color. Copies of this patent or patent application
publication with color photographs will be provided by the
Office upon request and payment of the necessary fee.

(22) Filed: **Jun. 12, 2013**

FIG. 1 is a color photograph of a perspective view of our new
LED-module without reflector design;

(30) **Foreign Application Priority Data**

Dec. 13, 2012 (EP) 002152579-0002

FIG. 2 is a color photograph of a right perspective view
thereof;

(51) **LOC (10) Cl.** **26-04**

(52) **U.S. Cl.**
USPC **D26/1**

FIG. 3 is a color photograph of a left perspective view
thereof;

(58) **Field of Classification Search**
USPC D26/1-4; 313/313, 315, 316, 317, 318,
313/493; D13/180; 315/52, 53, 56, 57, 58
See application file for complete search history.

FIG. 4 is a color photograph of a front perspective view
thereof;

(56) **References Cited**

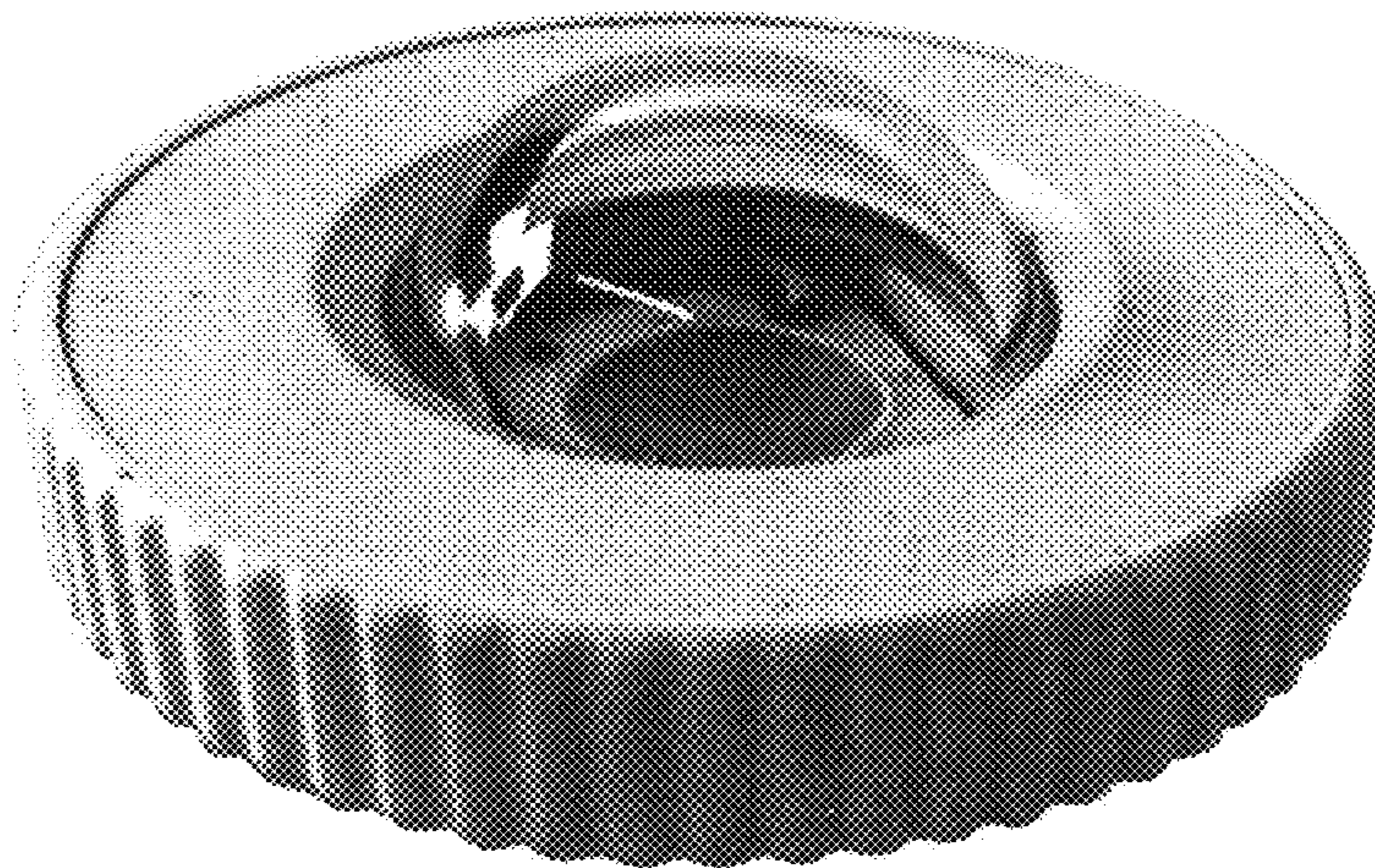
U.S. PATENT DOCUMENTS

5,857,766 A 1/1999 Sieczkowski
D508,291 S * 8/2005 Janssen D26/1

FIG. 5 is a color photograph of a rear perspective view
thereof;

FIG. 6 is a color photograph of a top perspective view
thereof;
and,
FIG. 7 is a color photograph of a bottom perspective view
thereof.

1 Claim, 3 Drawing Sheets
(3 of 3 Drawing Sheet(s) Filed in Color)



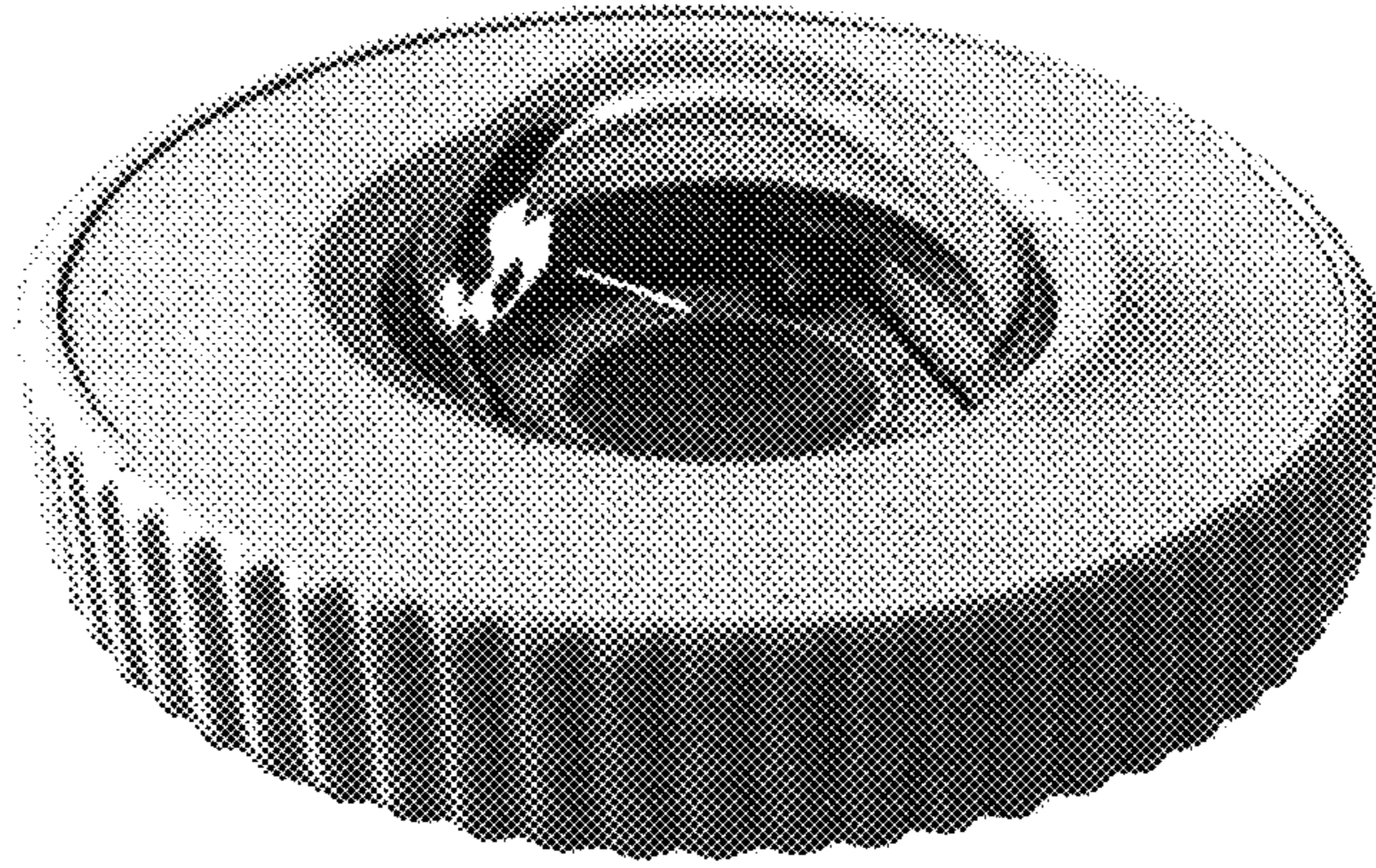


FIG. 1

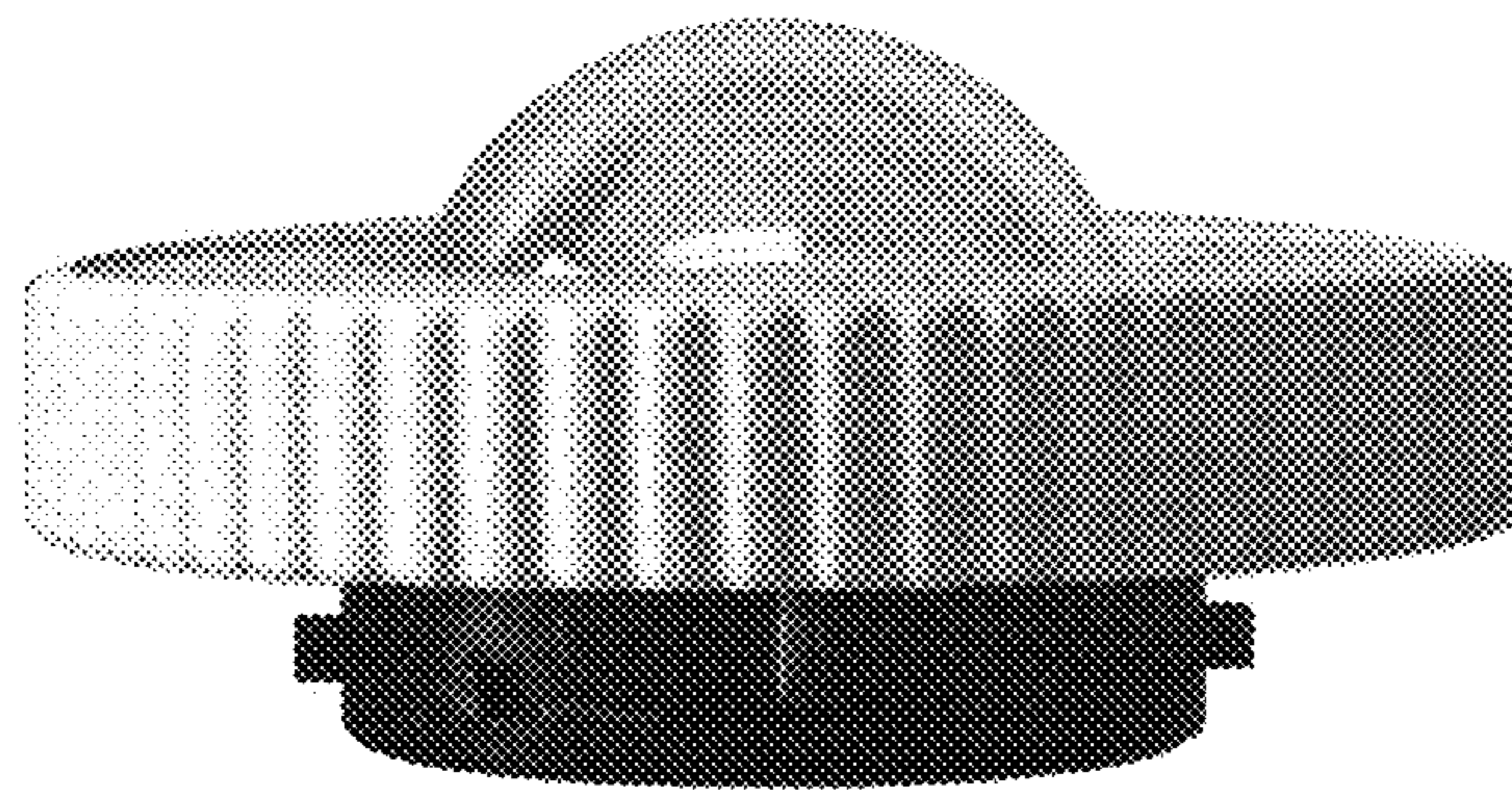


FIG. 2

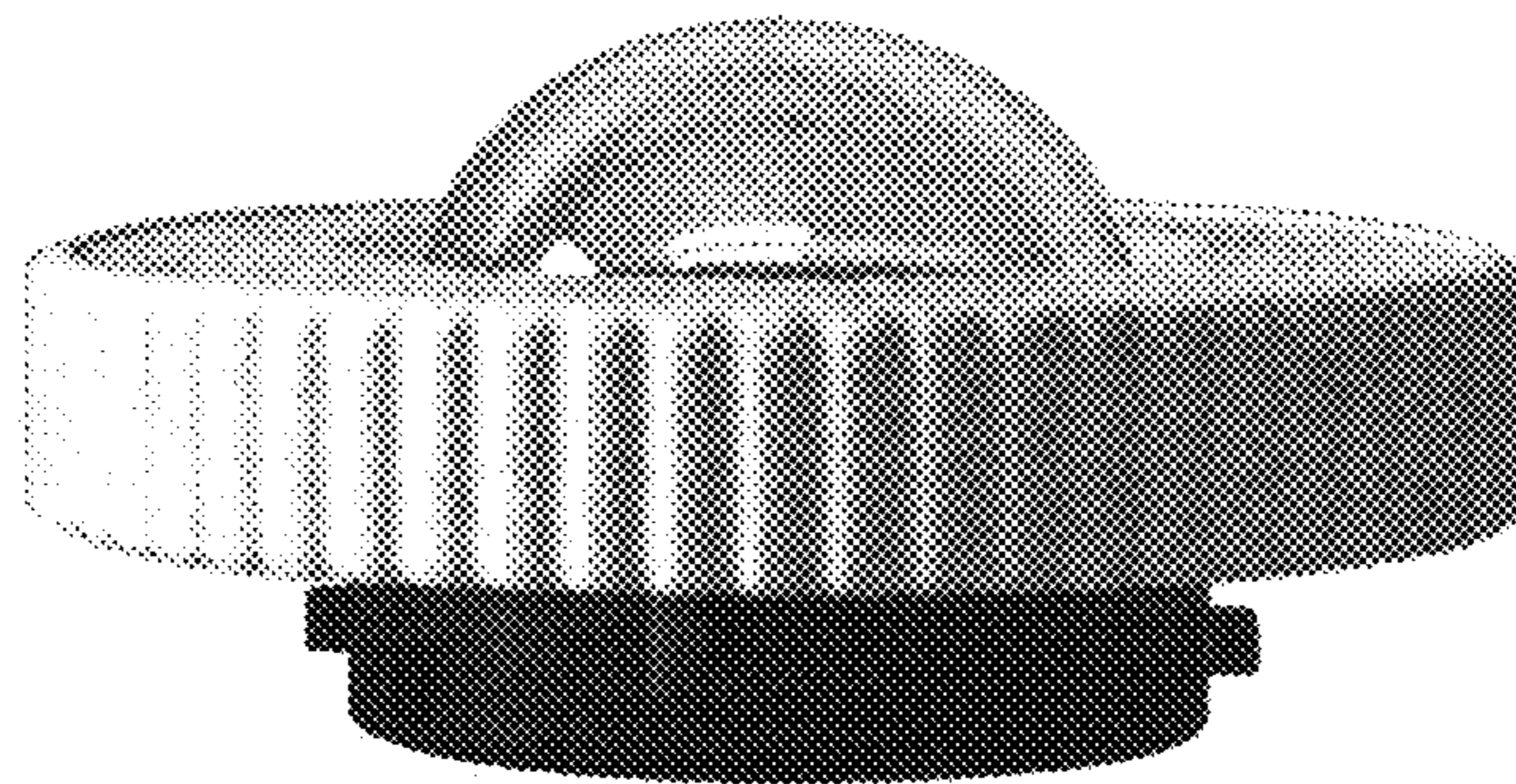


FIG. 3

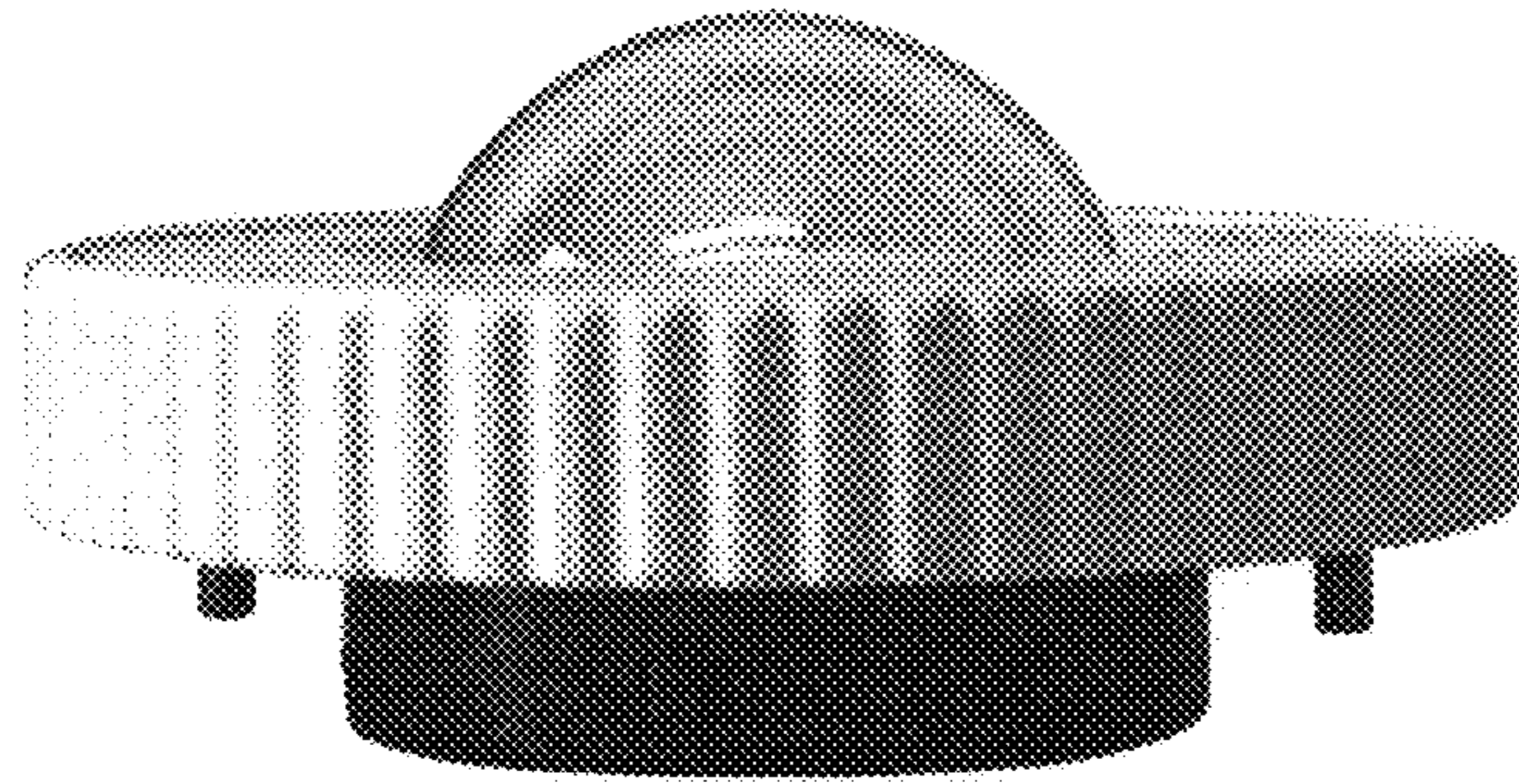


FIG. 4

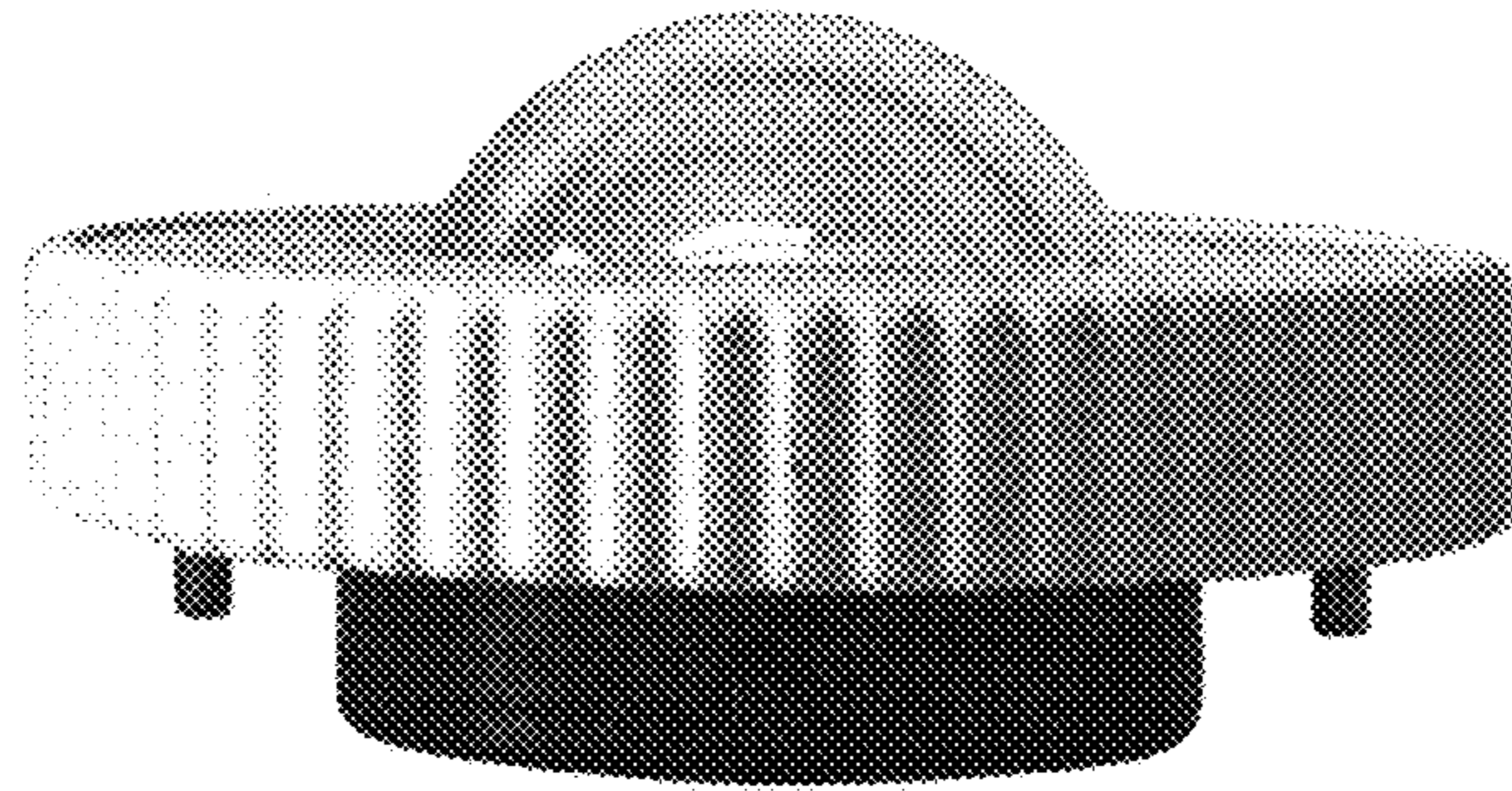


FIG. 5

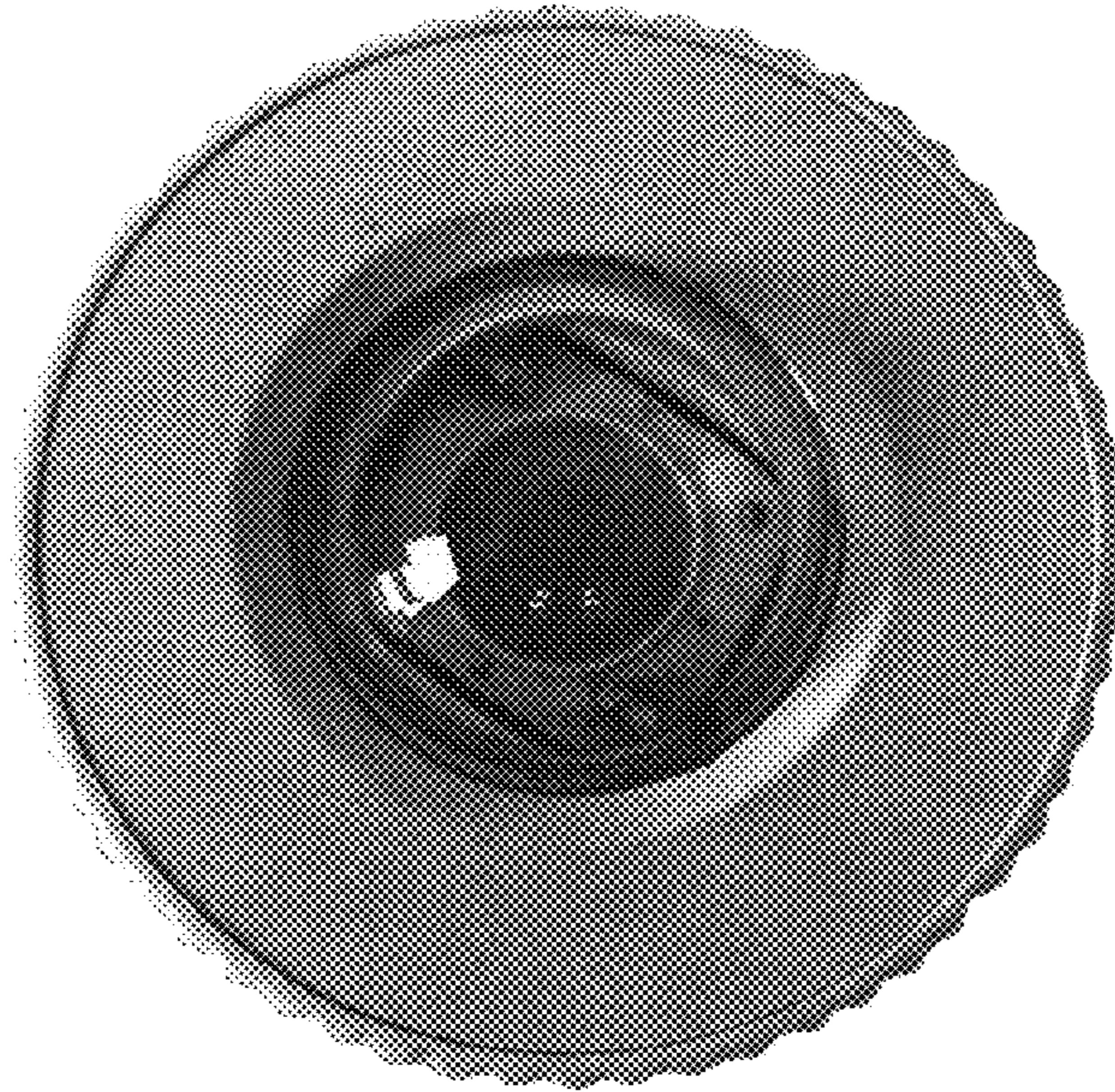


FIG. 6

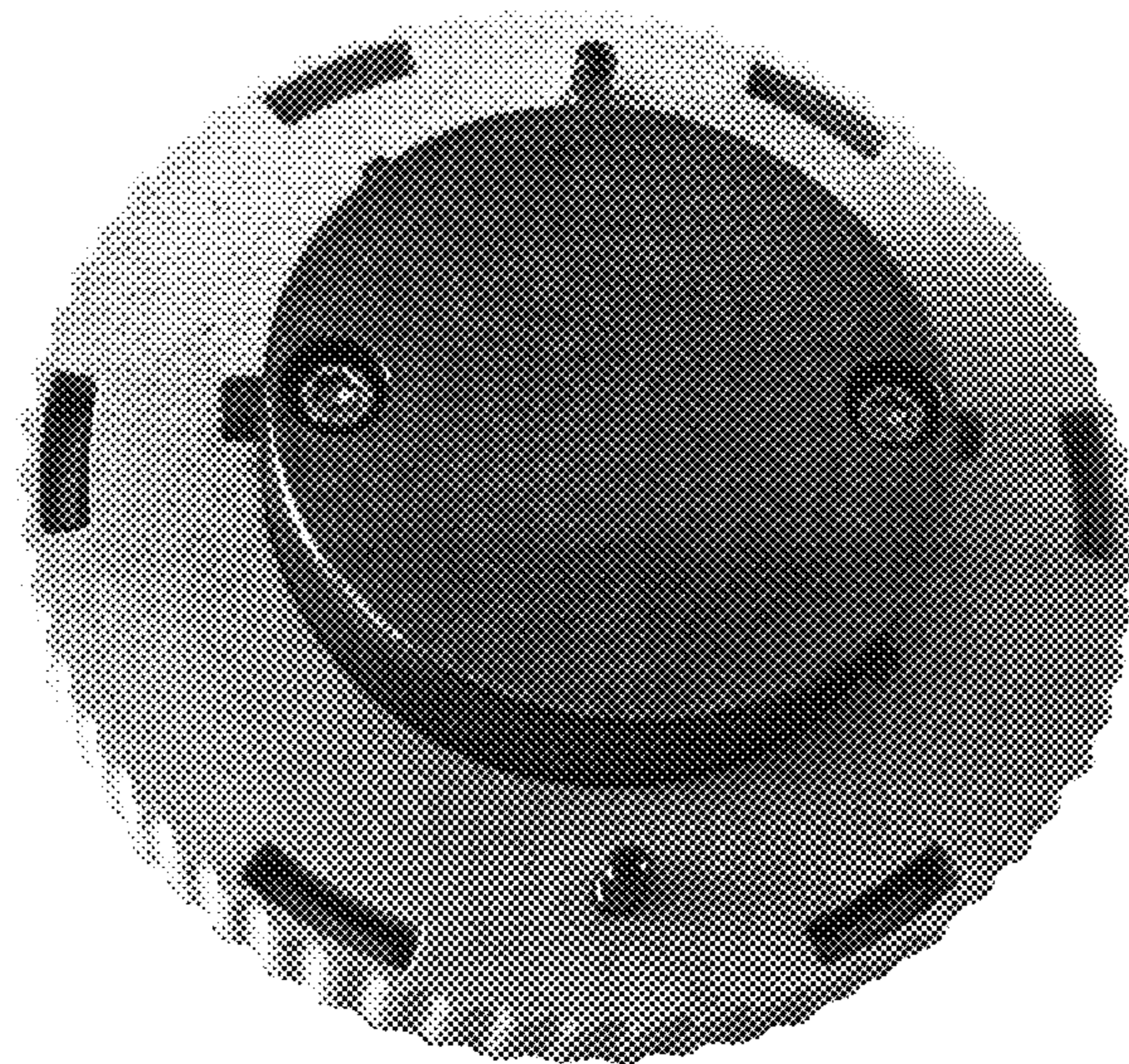


FIG. 7