



US00D730544S

(12) **United States Design Patent**  
**Shalfoon**

(10) **Patent No.:** **US D730,544 S**

(45) **Date of Patent:** **\*\* May 26, 2015**

(54) **SEATING BLOCK**

(56) **References Cited**

(71) Applicant: **Gregory Anthony Shalfoon**, Tauranga (NZ)

U.S. PATENT DOCUMENTS

(72) Inventor: **Gregory Anthony Shalfoon**, Tauranga (NZ)

178,988 A *	6/1876	Borie .....	D25/117
D244,201 S *	5/1977	Muse .....	D25/115
D367,715 S *	3/1996	Joubert .....	D25/114
D429,531 S *	8/2000	VonDross .....	D25/114
D435,304 S *	12/2000	Rainey .....	D25/114
D691,288 S *	10/2013	Nanayakkara .....	D25/115

(73) Assignee: **EMBANKMENT SEATING INTERNATIONAL LIMITED, KPMG**, Tauranga (NZ)

\* cited by examiner

(\*\*) Term: **14 Years**

*Primary Examiner* — Anhdao Doan

(21) Appl. No.: **29/487,689**

(74) *Attorney, Agent, or Firm* — Moore & Van Allen PLLC

(22) Filed: **Apr. 10, 2014**

(57) **CLAIM**

The ornamental design for a seating block, as shown and described.

(30) **Foreign Application Priority Data**

**DESCRIPTION**

Nov. 21, 2013 (NZ) ..... 418238

(51) **LOC (10) Cl.** ..... **25-01**

(52) **U.S. Cl.**  
USPC ..... **D25/114**

(58) **Field of Classification Search**  
USPC ..... D25/113-118, 164, 102, 138, 152-162,  
D25/199; D21/484-491, 499-504; 405/16,  
405/284, 286; 52/503-505, 574, 575,  
52/596-612, 592.6, 561, 566; 404/27-42;  
D8/1

FIG. 1 is a front, top and right-side perspective view of a seating block;

FIG. 2 is a right-side-elevational view thereof;

FIG. 3 is a top-plan view thereof;

FIG. 4 is a back-elevational view thereof;

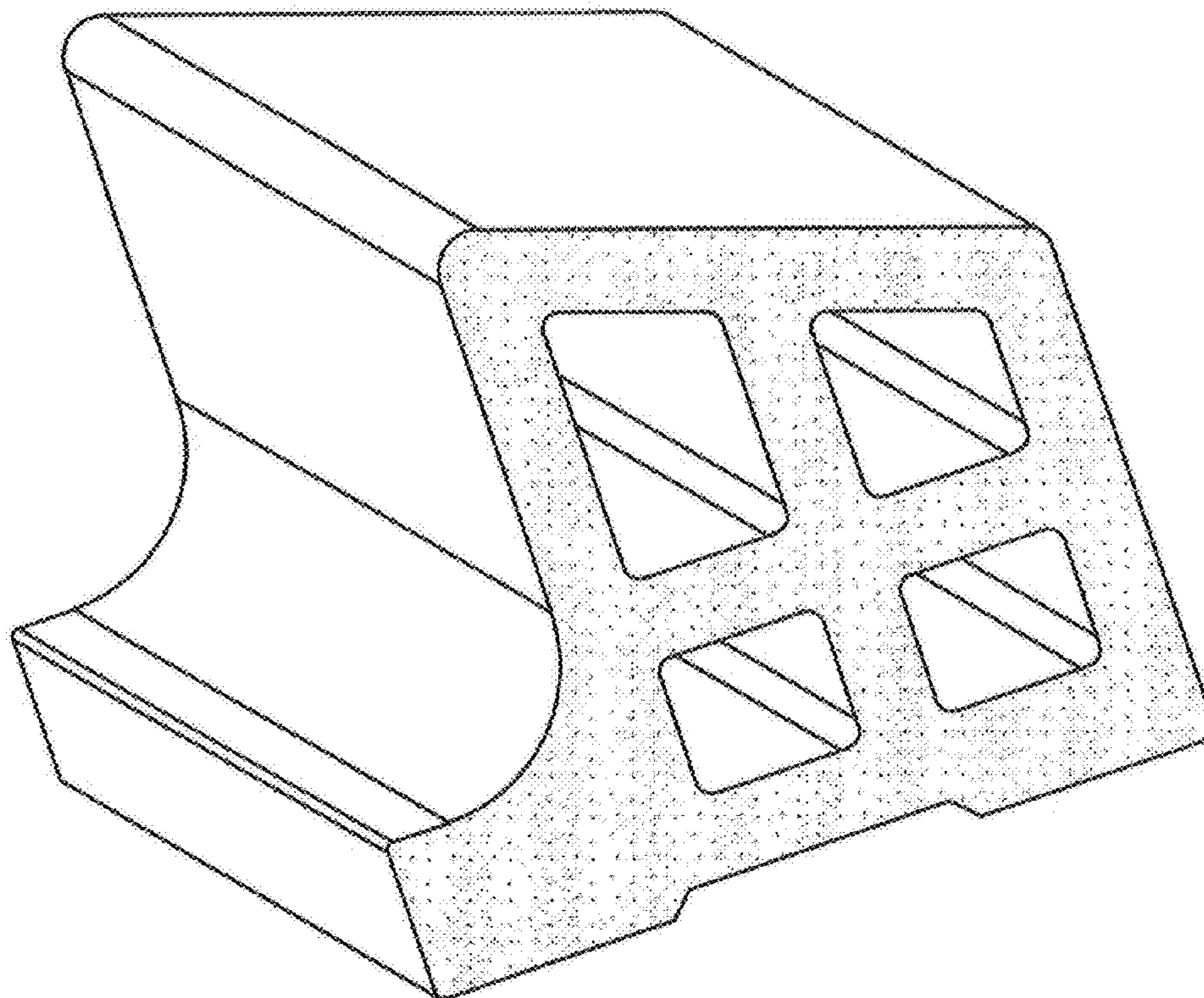
FIG. 5 is a bottom-plan view thereof; and,

FIG. 6 is a front-elevational view thereof.

The right and left sides of the seating block are symmetrical and, therefore the left-side-elevational view and right-side-elevational view are the same.

See application file for complete search history.

**1 Claim, 6 Drawing Sheets**



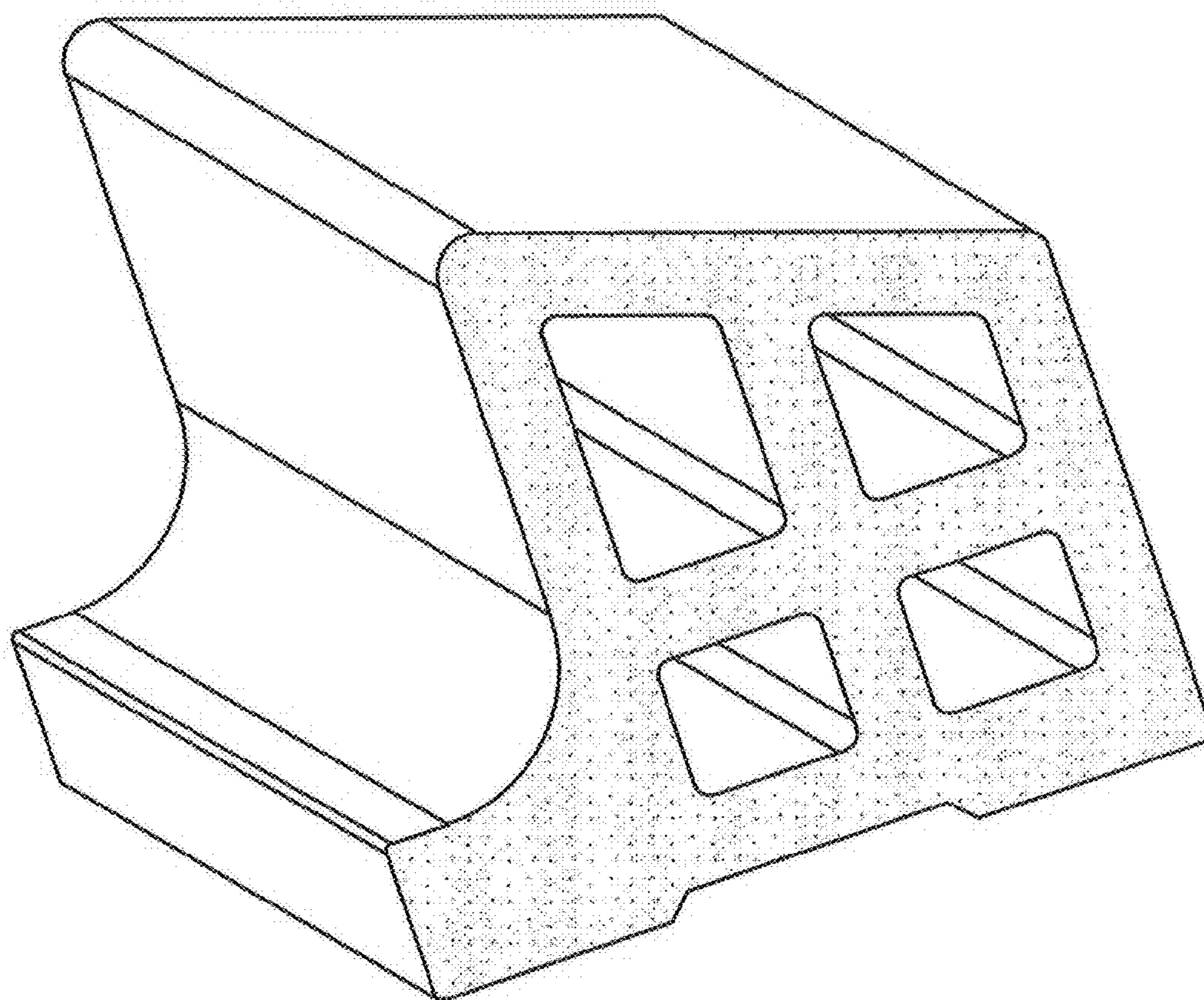


FIG. 1



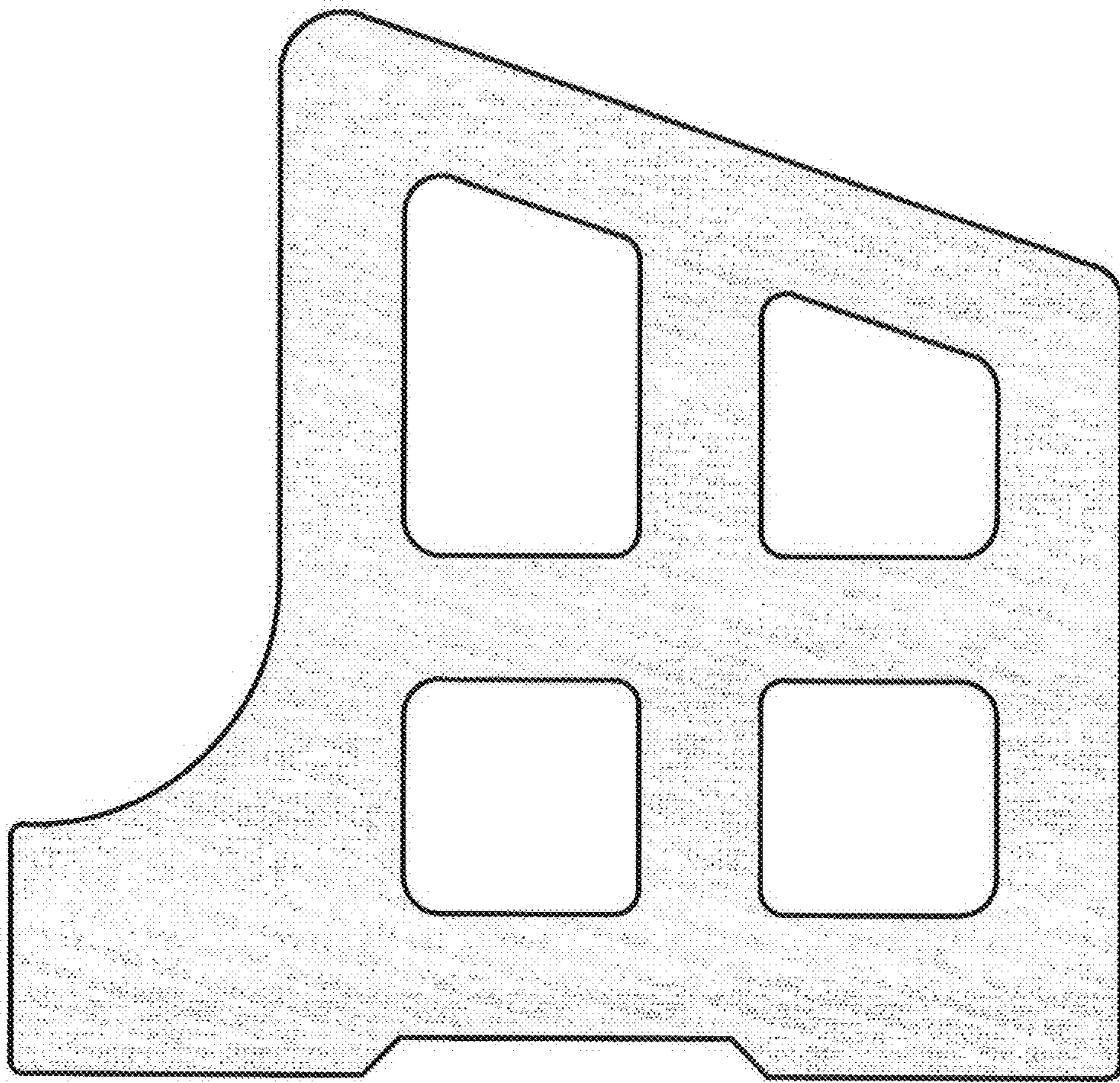


FIG. 2

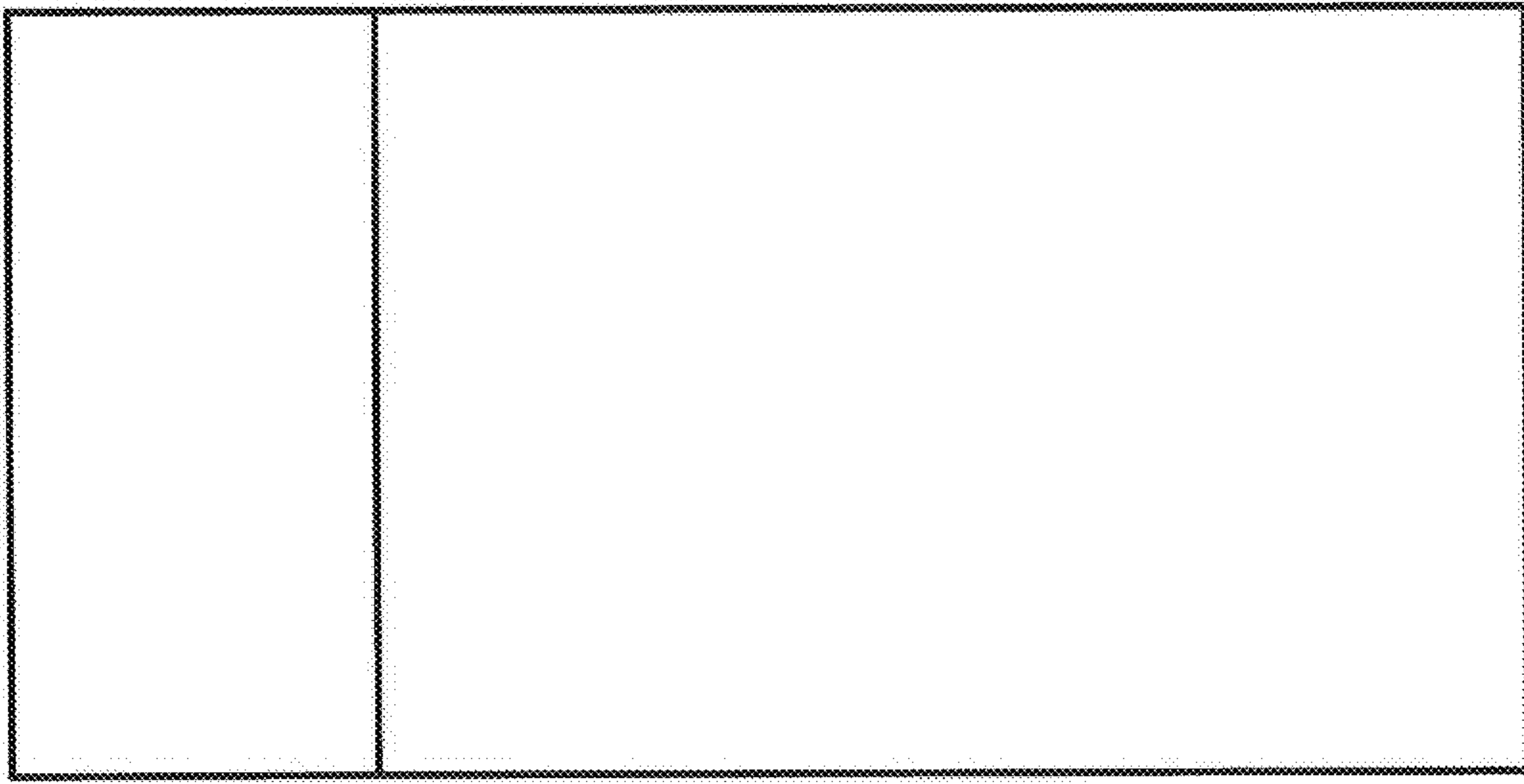


FIG. 3

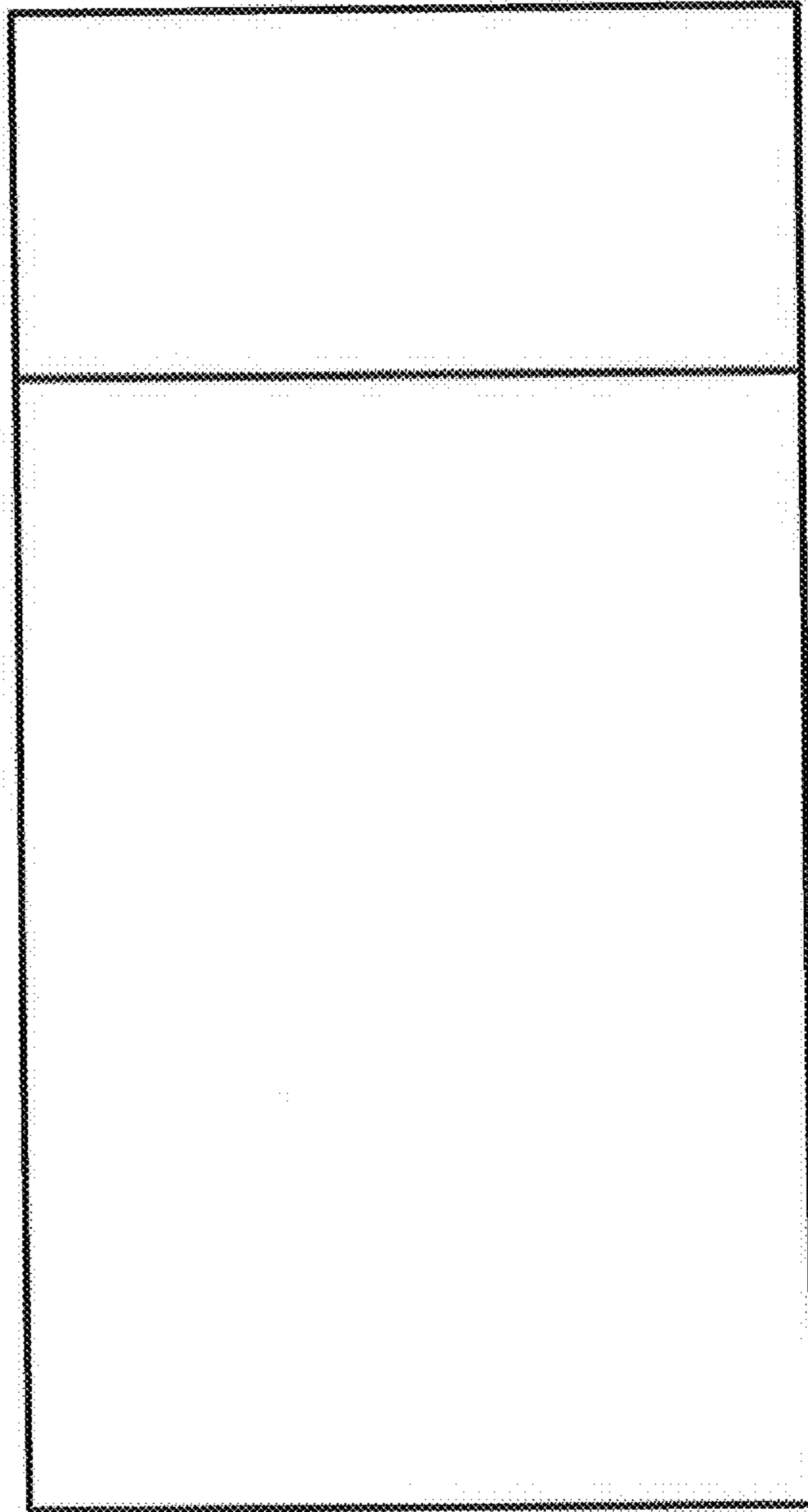


FIG. 4

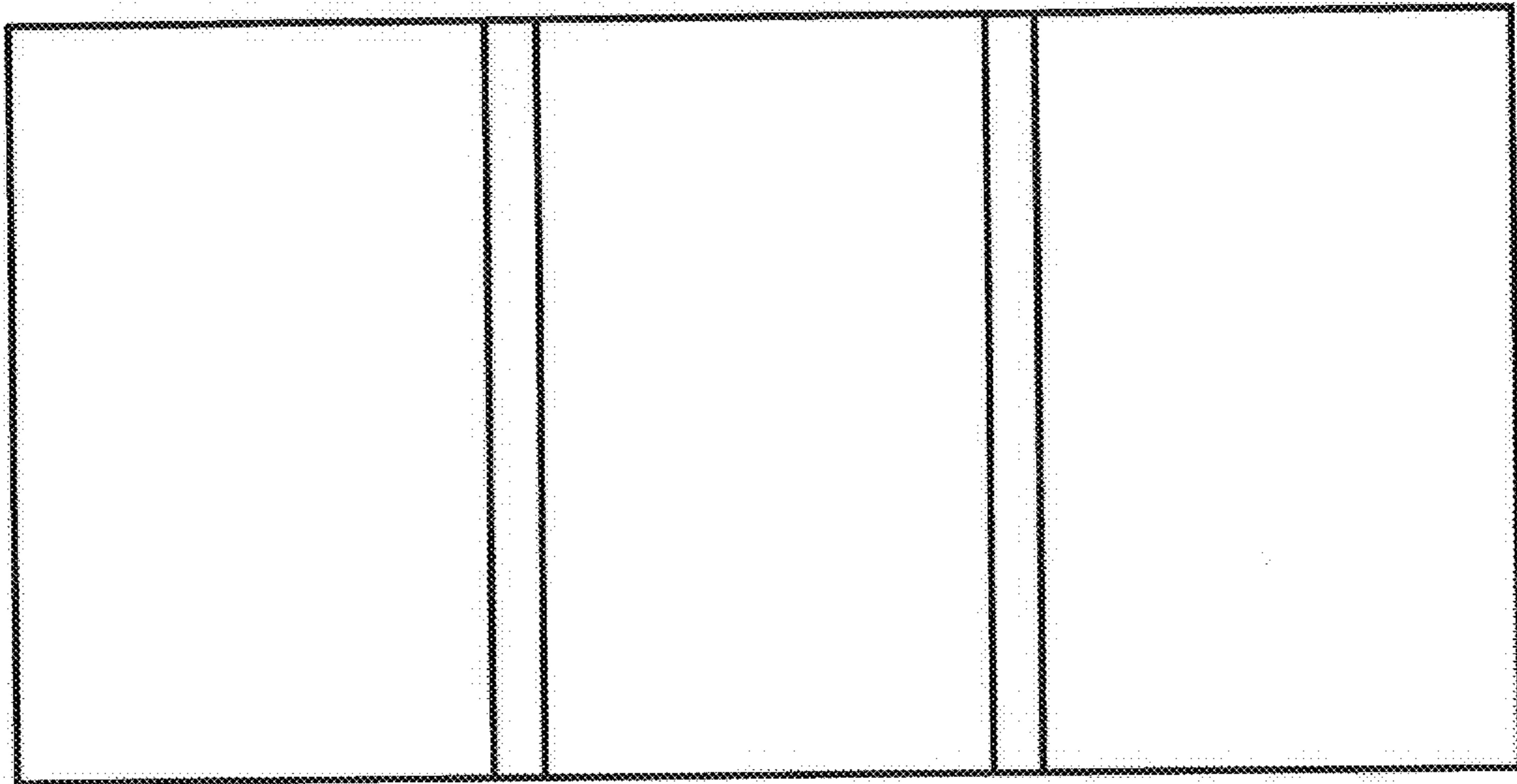


FIG. 5

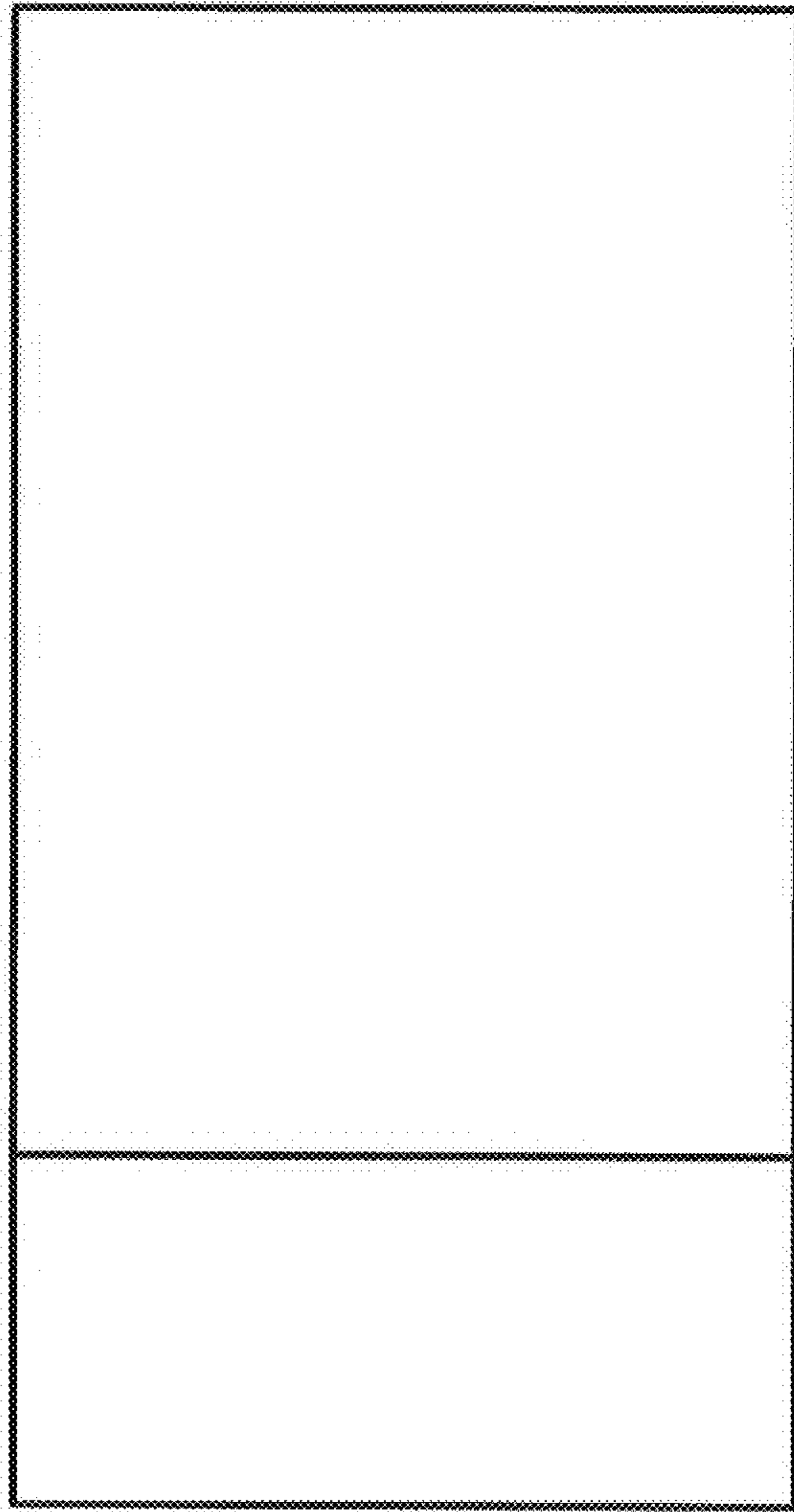


FIG. 6