

US00D730538S

(12) **United States Design Patent**
Lin

(10) **Patent No.:** **US D730,538 S**
(45) **Date of Patent:** **** May 26, 2015**

(54) **DISPLAY PANEL IN AN ASSISTED
REPRODUCTIVE TECHNIQUES (ART)
WORKSTATION**

(71) Applicant: **Esco Technologies (Asia) Pte Ltd,**
Singapore (SG)

(72) Inventor: **Xiang Qian Lin,** Singapore (SG)

(73) Assignee: **Esco Technologies (Asia) Pte Ltd,**
Singapore (SG)

(**) Term: **14 Years**

(21) Appl. No.: **29/445,058**

(22) Filed: **Feb. 7, 2013**

(51) **LOC (10) Cl.** **24-00**

(52) **U.S. Cl.**
USPC **D24/231**

(58) **Field of Classification Search**
USPC D24/231, 160, 185, 158, 132; D14/132,
D14/126, 486; 156/182; 428/81; 174/84 R,
174/377; 248/27.1; 361/679.55; 345/173
See application file for complete search history.

(56) **References Cited**

U.S. PATENT DOCUMENTS

3,779,851 A * 12/1973 Hertz 156/182
5,242,732 A * 9/1993 Bahakel 428/81
5,399,809 A * 3/1995 Takenouchi 174/84 R
5,588,621 A * 12/1996 Collins et al. 248/27.1

5,774,331 A * 6/1998 Sach 361/679.55
D412,208 S * 7/1999 Nelson et al. D24/158
D479,210 S * 9/2003 Hussaini et al. D14/132
D656,237 S * 3/2012 Sanchez et al. D24/231
D673,129 S * 12/2012 Kumano D14/126
D695,245 S * 12/2013 Hara et al. D14/126
D695,304 S * 12/2013 Cahill et al. D14/486
2005/0179670 A1 * 8/2005 Chiang 345/173
2011/0120763 A1 * 5/2011 Cheng et al. 174/377

* cited by examiner

Primary Examiner — Holly Baynham

Assistant Examiner — Rhea Shields

(74) *Attorney, Agent, or Firm* — Niels, Lemack & Frame,
LLC

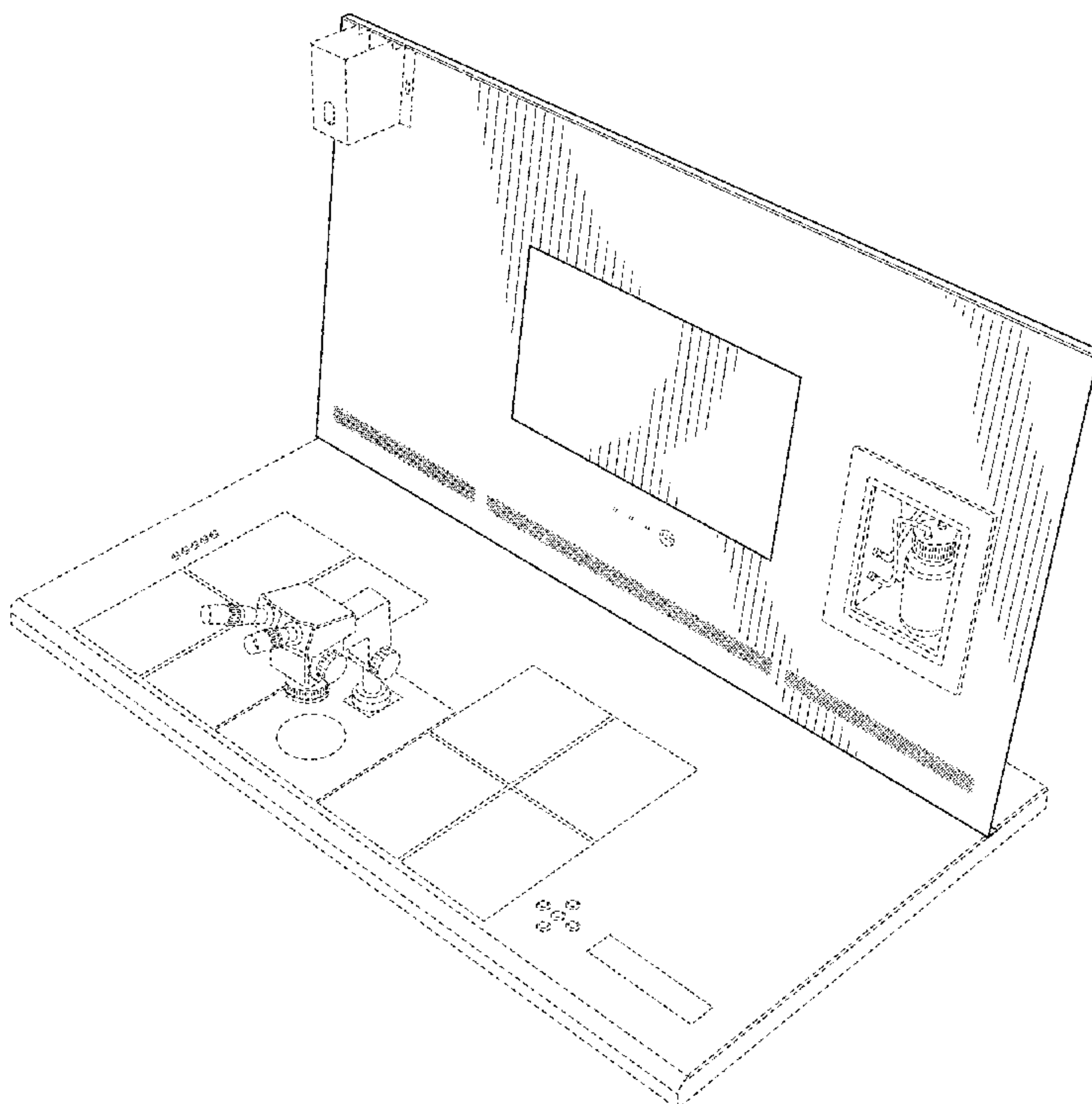
(57) **CLAIM**

The ornamental design for a display panel in an assisted reproductive techniques (art) workstation, as shown and described.

DESCRIPTION

FIG. 1 is a front view of a display panel in an assisted reproductive techniques (art) workstation showing my new design; FIG. 2 is a top plan view thereof; FIG. 3 is a front perspective view thereof; FIG. 4 is another front perspective view thereof; FIG. 5 is a right elevational view thereof; FIG. 6 is a rear view of the top portion thereof; and, FIG. 7 is a bottom perspective view thereof. In the drawings, the broken lines depict unclaimed subject matter only and form no part of the claimed design.

1 Claim, 7 Drawing Sheets



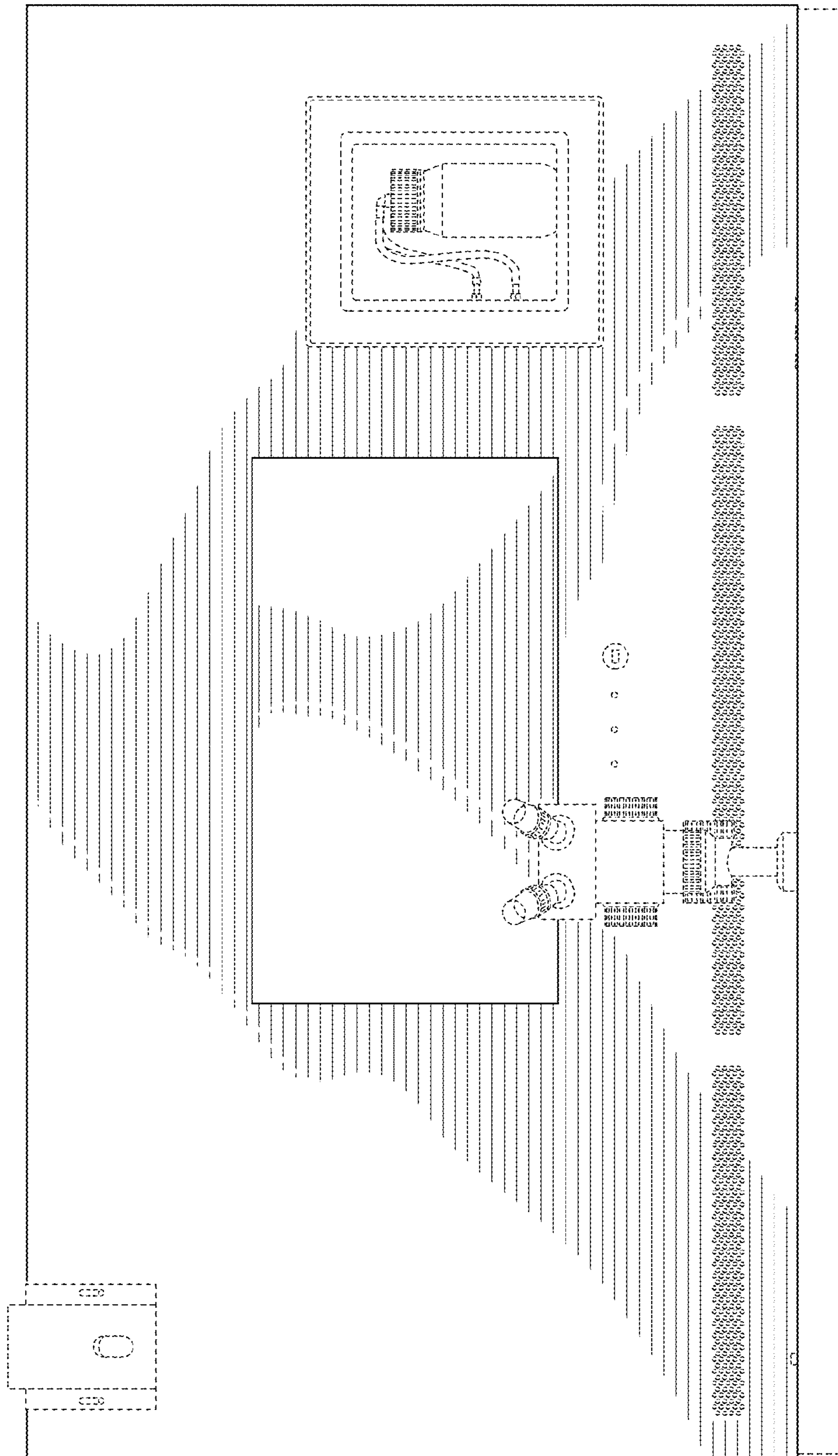


FIG. 1

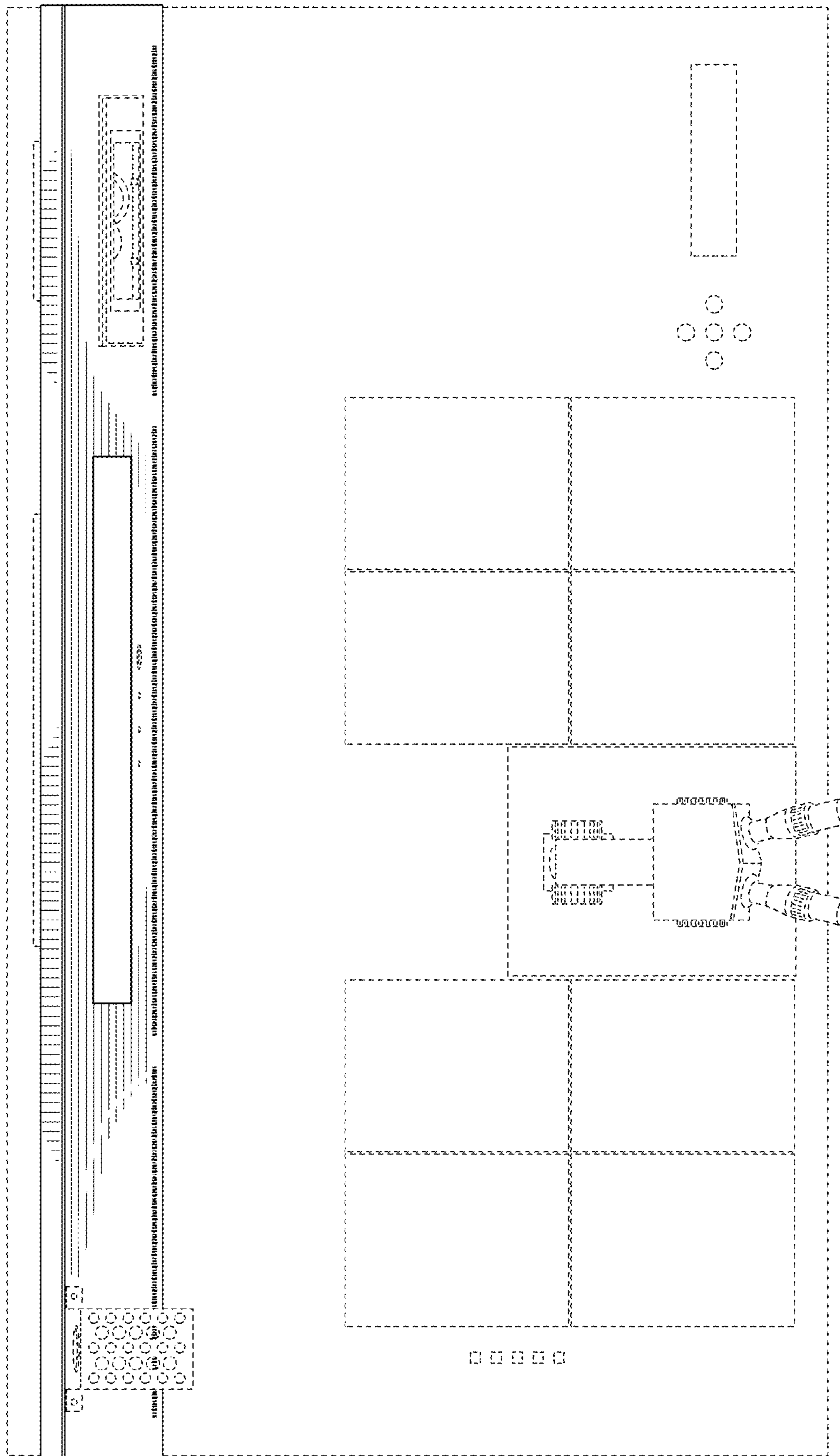


FIG. 2

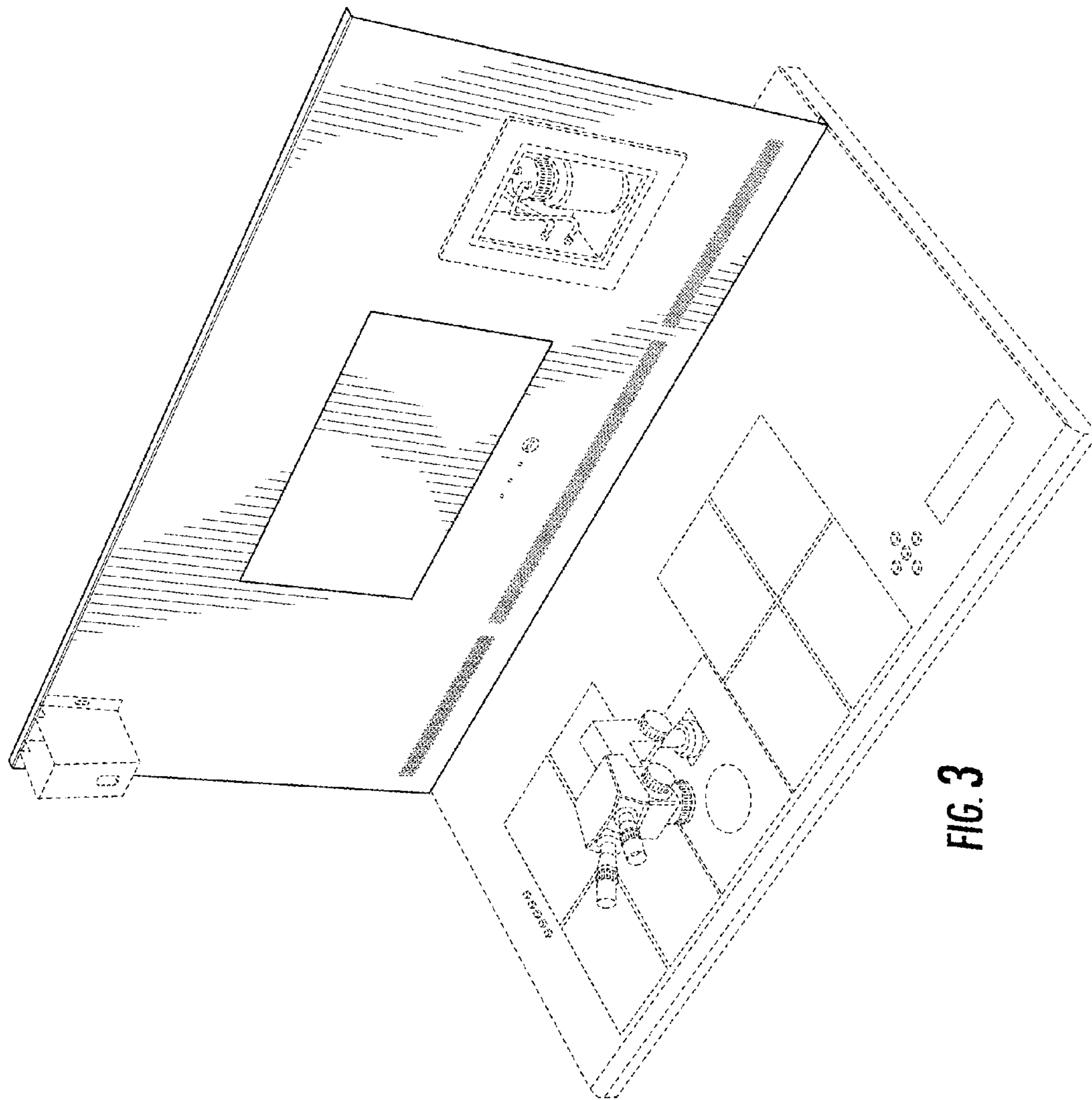
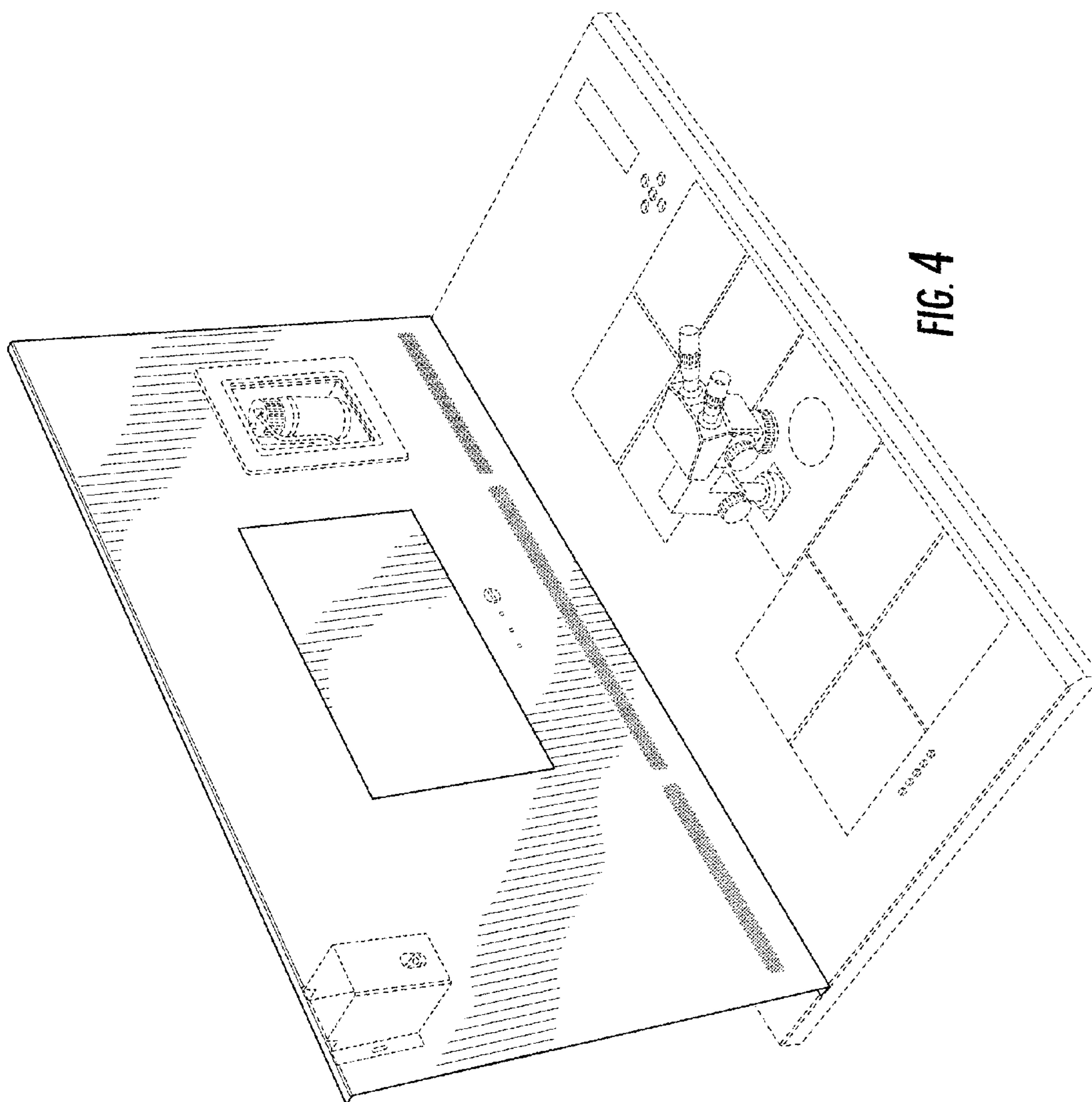


FIG. 3



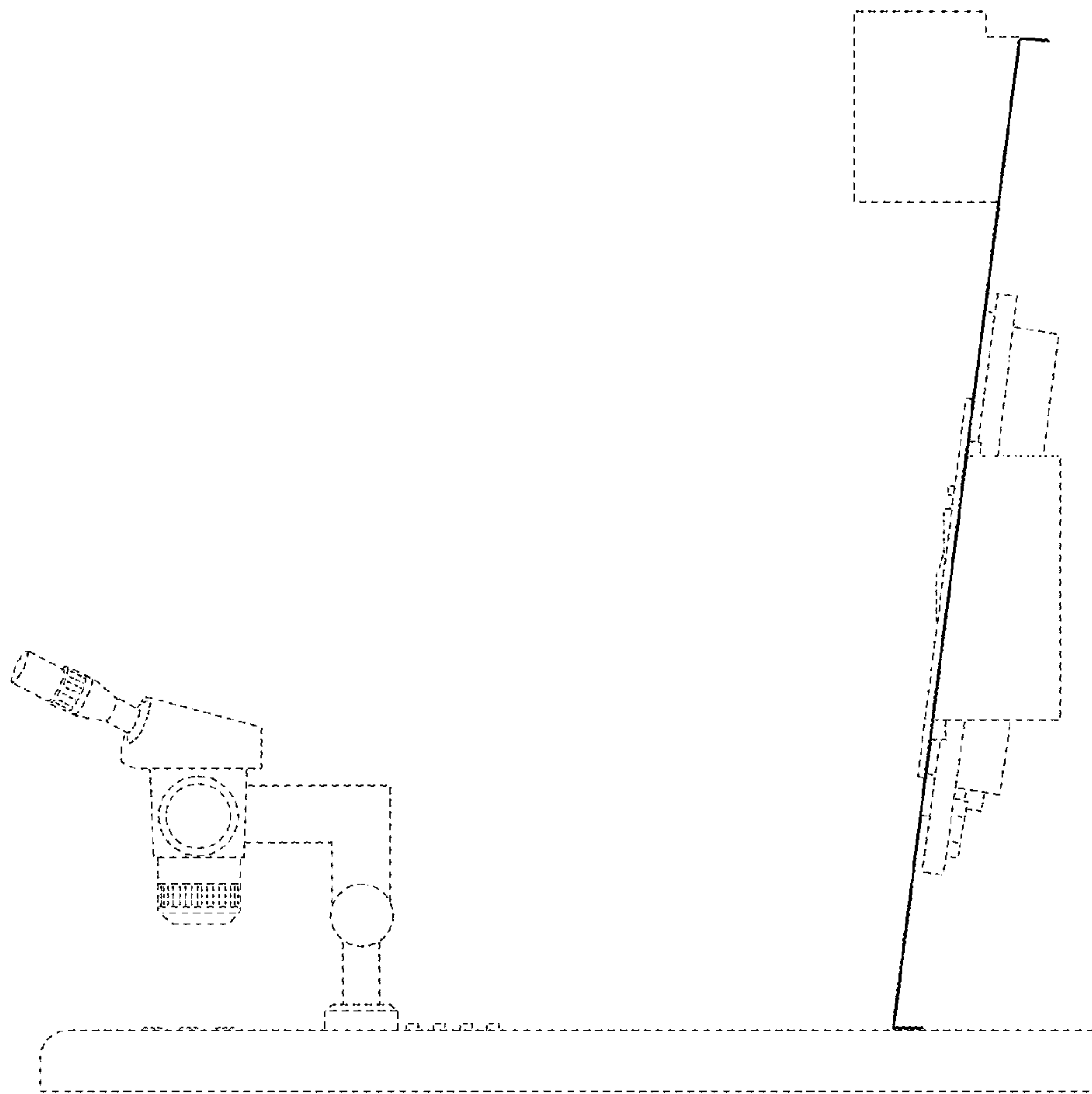


FIG. 5

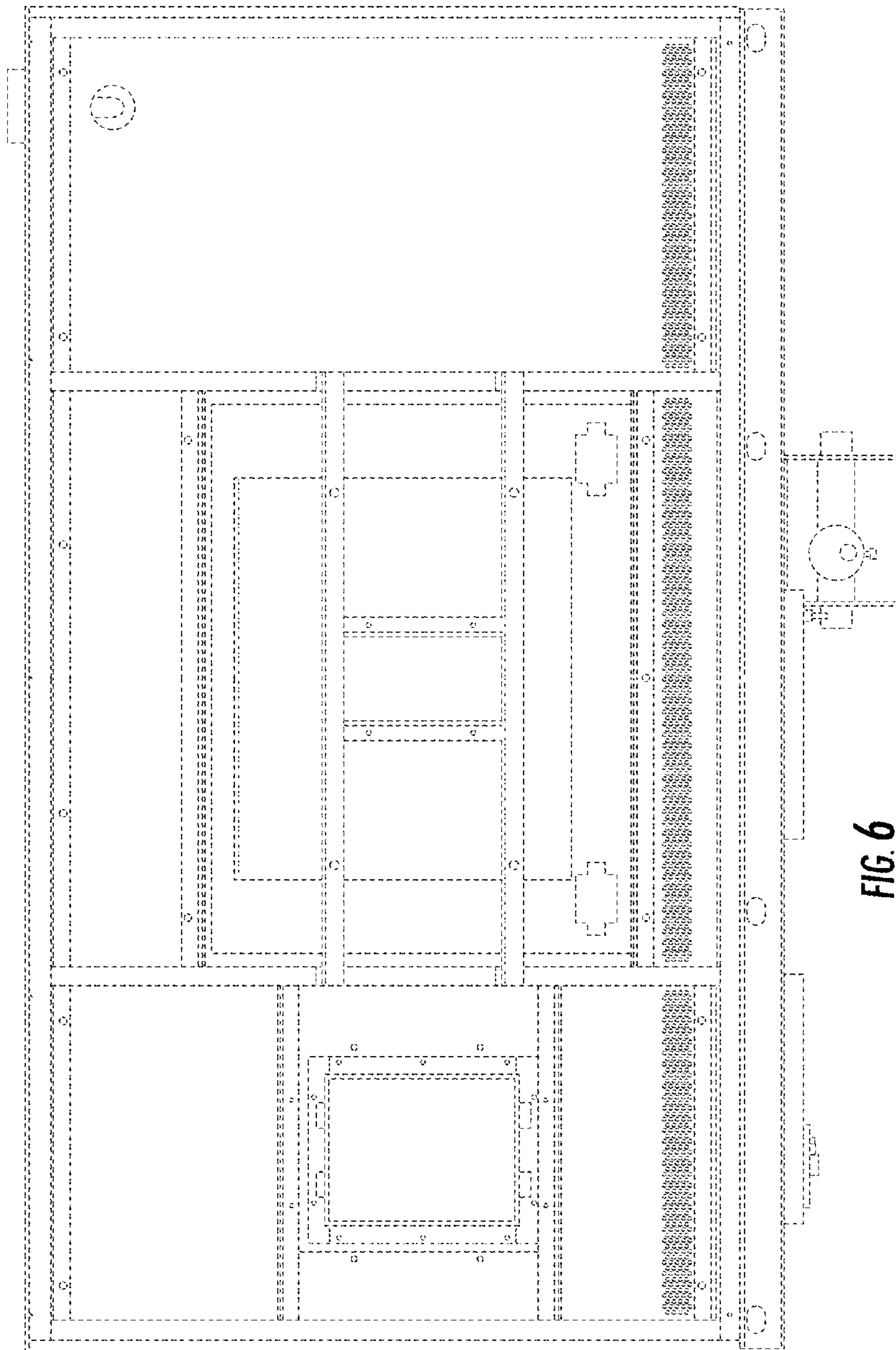


FIG. 6

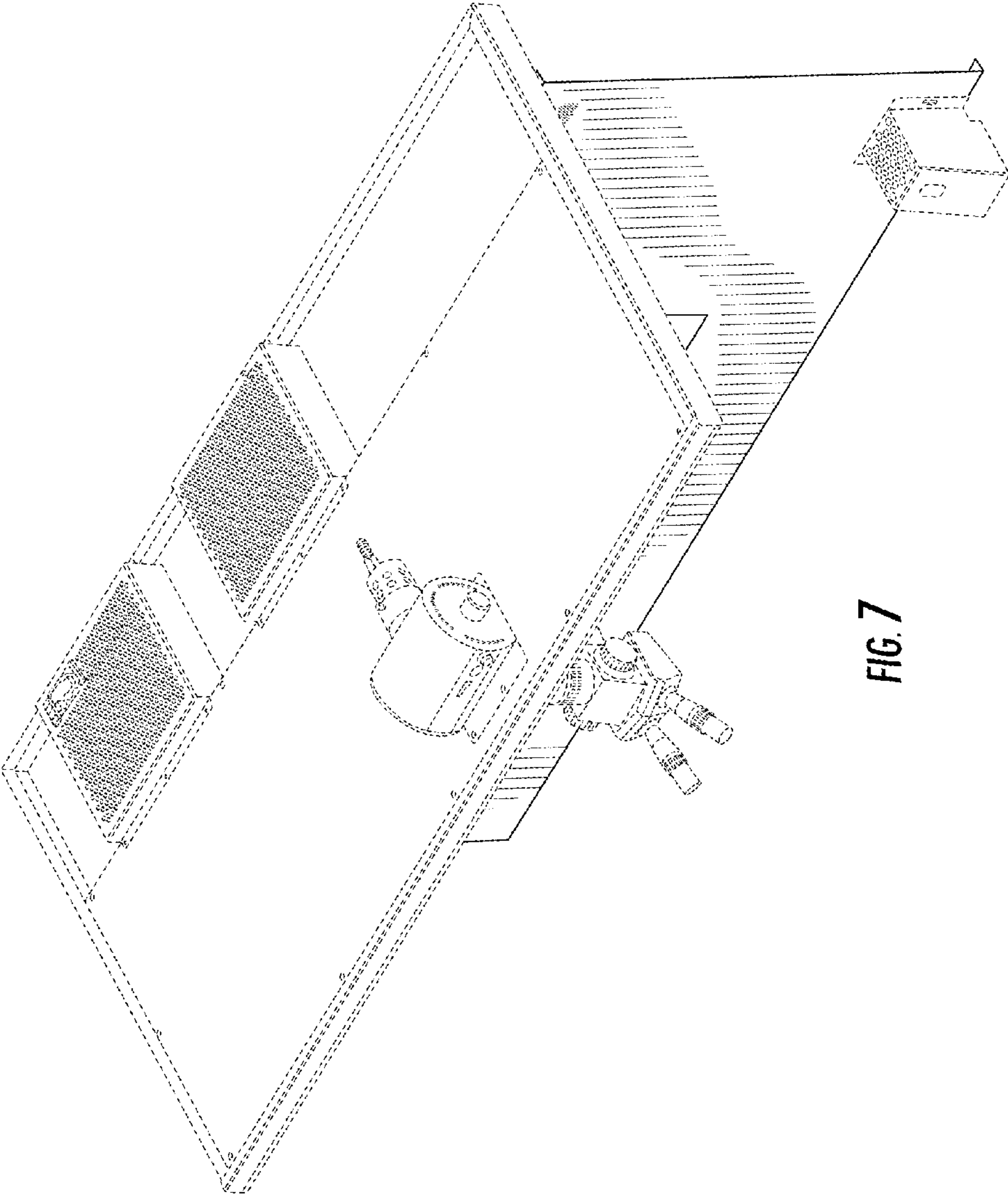


FIG. 7