

US00D730536S

(12) **United States Design Patent**
Mangan

(10) **Patent No.:** **US D730,536 S**

(45) **Date of Patent:** **** May 26, 2015**

(54) **SAMPLE SLIDE**

(71) Applicant: **Dairy Quality Inc.**, Queensville (CA)

(72) Inventor: **Steven L. Mangan**, Gananoque (CA)

(**) Term: **14 Years**

(21) Appl. No.: **29/478,751**

(22) Filed: **Jan. 8, 2014**

(51) **LOC (10) Cl.** **24-02**

(52) **U.S. Cl.**
USPC **D24/225**

(58) **Field of Classification Search**
USPC D24/216, 223-230; D10/81; 436/163,
436/164, 169; 422/408, 430, 500, 502, 503,
422/68.1

See application file for complete search history.

(56) **References Cited**

U.S. PATENT DOCUMENTS

D328,135 S *	7/1992	Fan et al.	D24/223
D359,125 S *	6/1995	Livingston	D24/223
D378,781 S *	4/1997	Stevens et al.	D24/224
D382,062 S *	8/1997	Stevens et al.	D24/225
D382,063 S *	8/1997	Stevens et al.	D24/225
D404,497 S *	1/1999	Lahm et al.	D24/224

D414,270 S *	9/1999	Escoffier	D24/216
D414,561 S *	9/1999	Escoffier	D24/216
D420,451 S *	2/2000	Dubus	D24/216
D421,498 S *	3/2000	Livingston	D24/224
D565,742 S *	4/2008	Parunak et al.	D24/224
D566,291 S *	4/2008	Parunak et al.	D24/224
D606,664 S *	12/2009	Jacono et al.	D24/225
D621,722 S *	8/2010	Nalagatla et al.	D9/737
D669,594 S *	10/2012	Cao et al.	D24/216
D672,053 S *	12/2012	Chen et al.	D24/225
D690,828 S *	10/2013	Yoon et al.	D24/224
D702,364 S *	4/2014	Iqbal et al.	D24/225

* cited by examiner

Primary Examiner — T. Chase Nelson

Assistant Examiner — Mark Cavanna

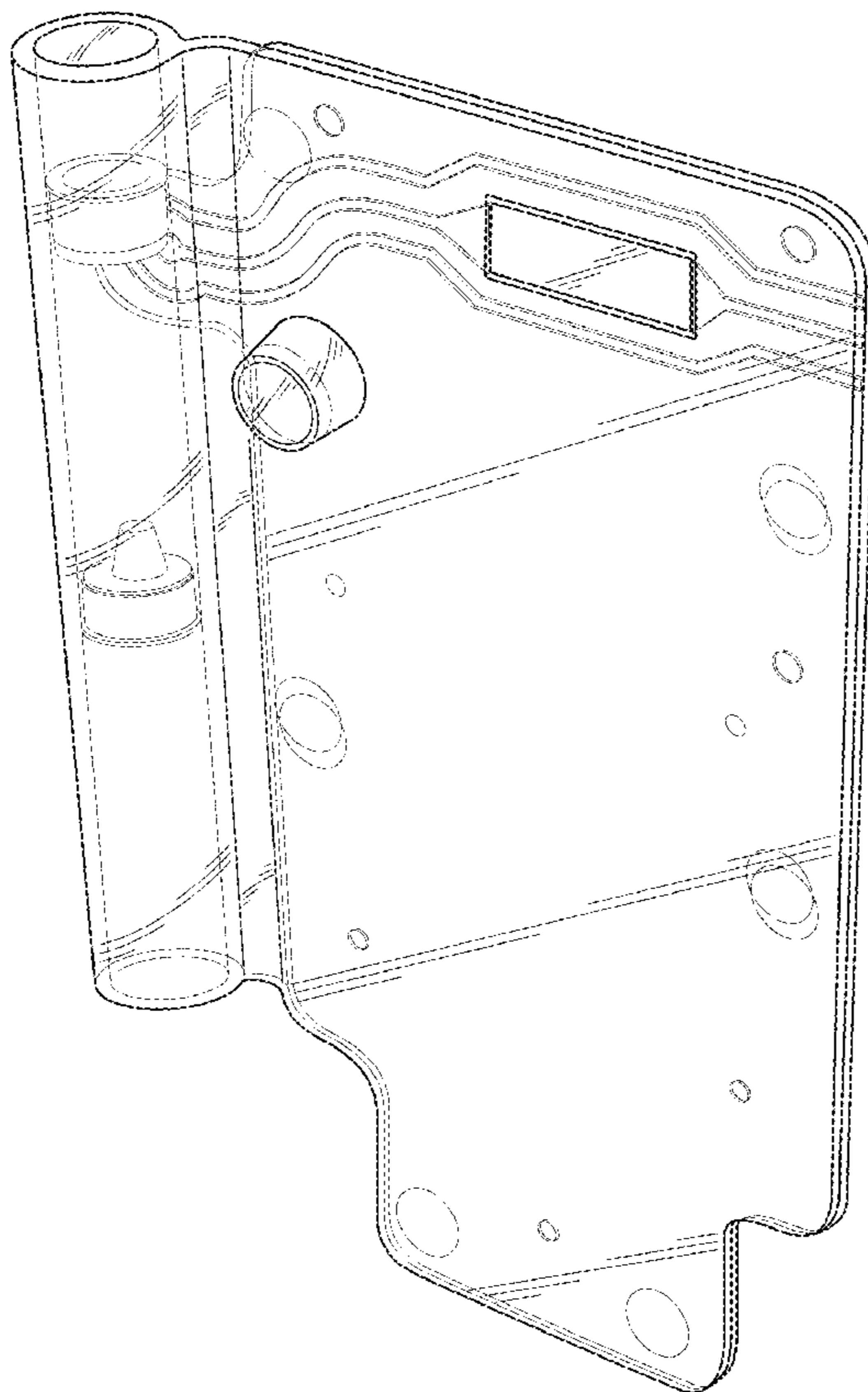
(57) **CLAIM**

The ornamental design for a sample slide, as shown and described.

DESCRIPTION

FIG. 1 is a top perspective view of the sample slide in accordance with my design;
FIG. 2 is a front view thereof;
FIG. 3 is a rear view thereof;
FIG. 4 is a left side view thereof;
FIG. 5 is right side view thereof;
FIG. 6 is top view thereof; and,
FIG. 7 is bottom view thereof.

1 Claim, 5 Drawing Sheets



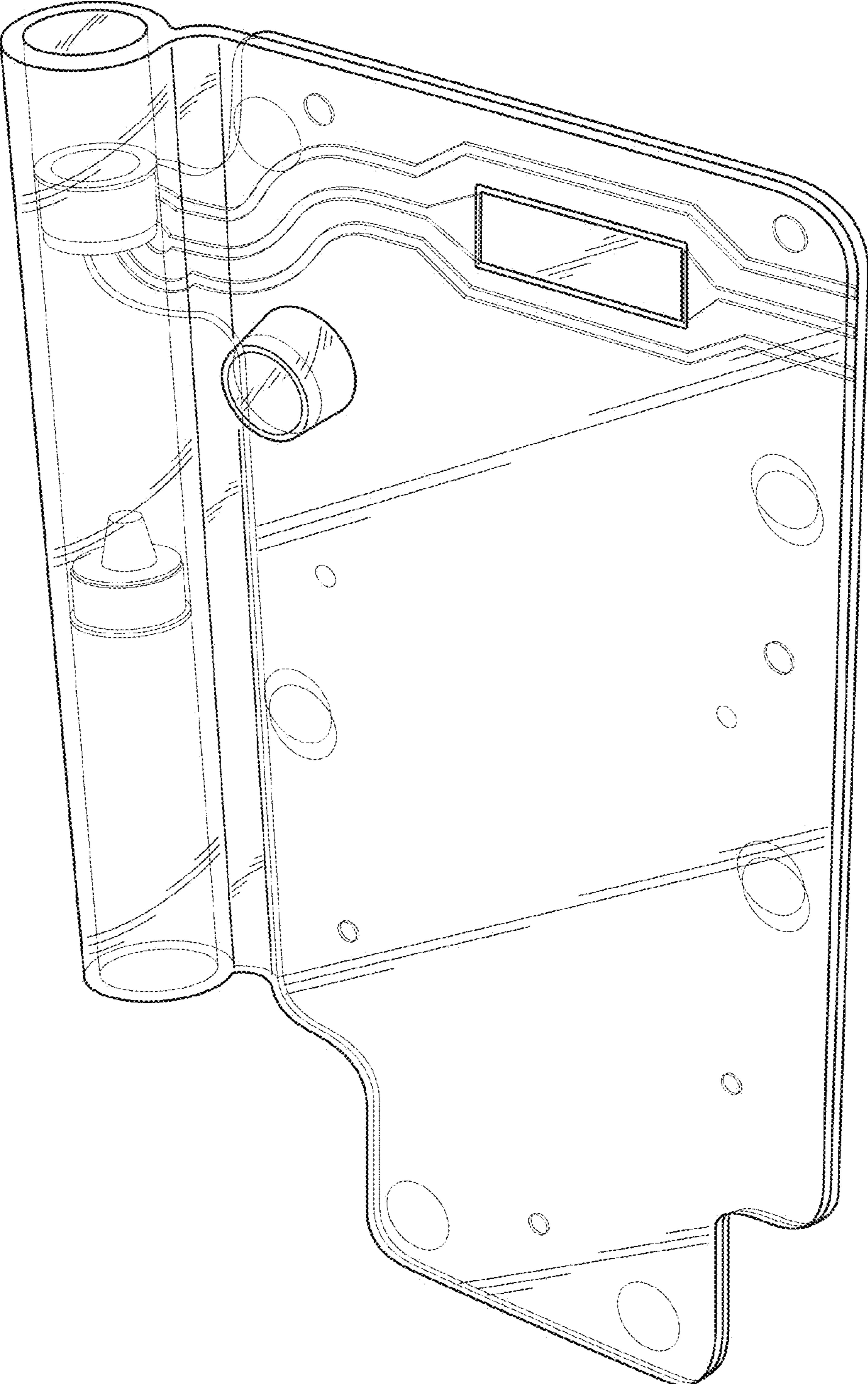


FIG. 1

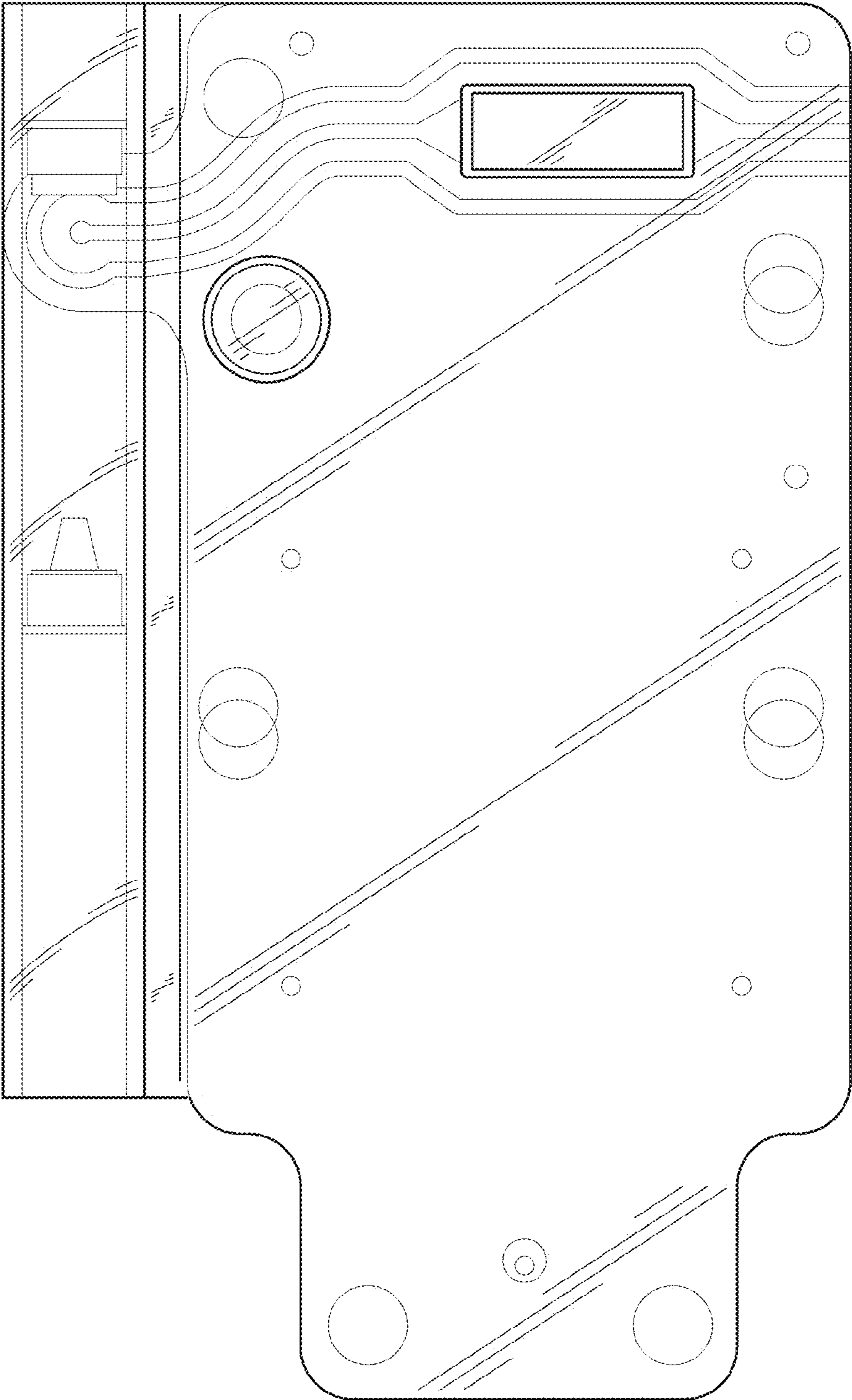


FIG. 2

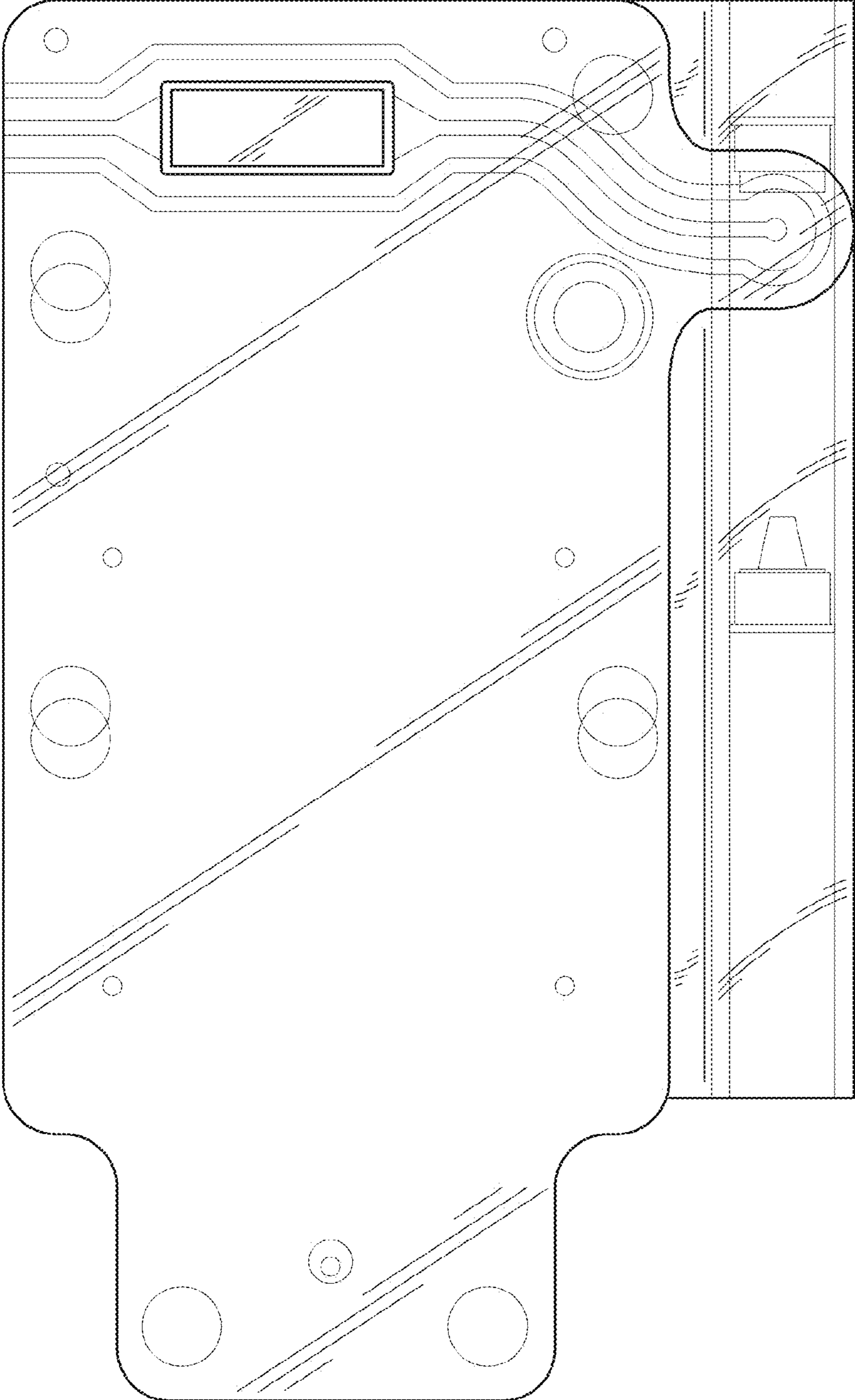


FIG. 3

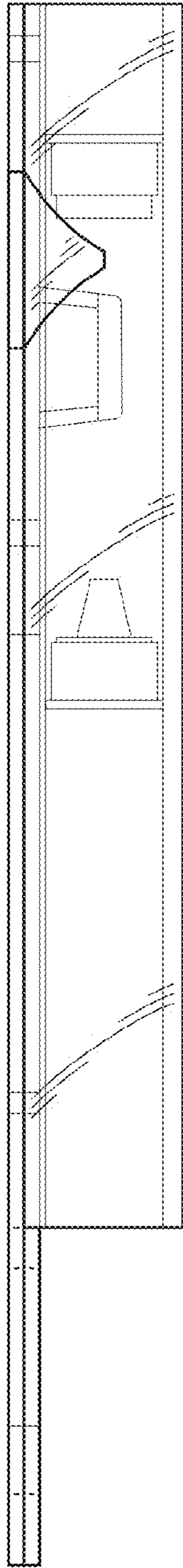


FIG. 4

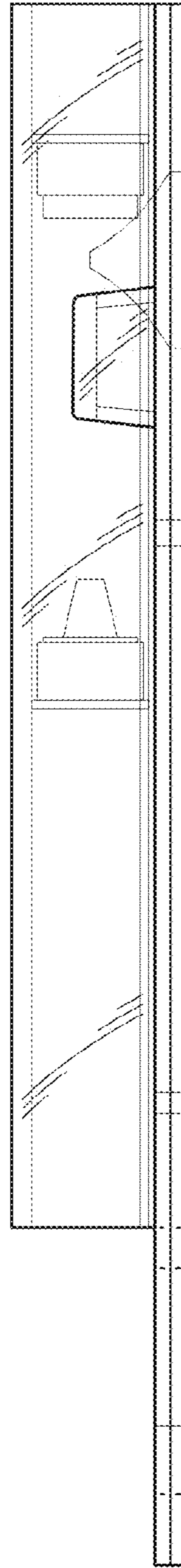


FIG. 5

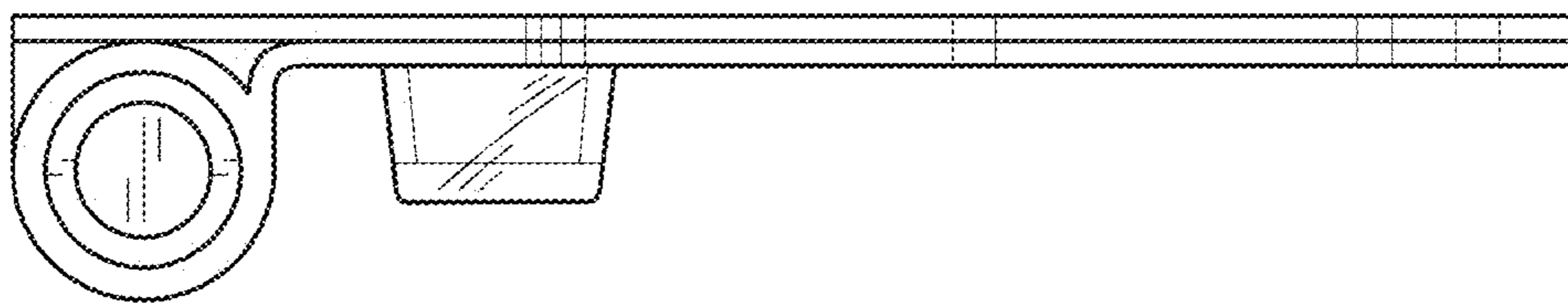


FIG. 6

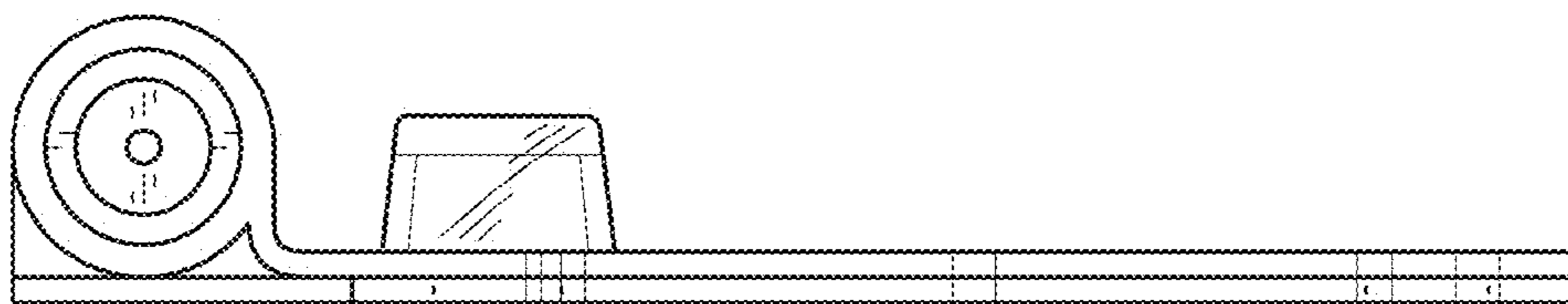


FIG. 7