



US00D730534S

(12) **United States Design Patent**
Larsen et al.

(10) **Patent No.:** **US D730,534 S**
(45) **Date of Patent:** **** May 26, 2015**

(54) **SPA EXTERIOR**

(56) **References Cited**

(71) Applicant: **WATKINS MANUFACTURING CORPORATION**, Vista, CA (US)

U.S. PATENT DOCUMENTS

(72) Inventors: **Christopher Carl Larsen**, Vista, CA (US); **Sage Nathan Baker**, Cardiff by the Sea, CA (US)

| | | | | | | |
|-----------|----|---|---------|---------------|-------|-----------|
| D278,183 | S | * | 3/1985 | Myers | | D24/204 |
| D284,994 | S | * | 8/1986 | Rothe | | D23/280.2 |
| D288,125 | S | * | 2/1987 | Watkins | | D24/204 |
| 7,712,161 | B2 | * | 5/2010 | Reynolds, II | | 4/541.1 |
| D629,117 | S | * | 12/2010 | Walker | | D24/204 |
| D645,567 | S | * | 9/2011 | Walker et al. | | D24/204 |

(73) Assignee: **Watkins Manufacturing Corporation**, Vista, CA (US)

* cited by examiner

Primary Examiner — David Muller

(**) Term: **14 Years**

(74) *Attorney, Agent, or Firm* — Kirk W. Rudolph

(21) Appl. No.: **29/477,467**

(57) **CLAIM**

The ornamental design for a spa exterior, as shown and described.

(22) Filed: **Dec. 23, 2013**

DESCRIPTION

(51) **LOC (10) Cl.** **23-02**

FIG. 1 is a perspective view of a spa exterior showing our design;
FIG. 2 is a top plan view thereof;
FIG. 3 is a front elevational view thereof;
FIG. 4 is a rear elevational view thereof;
FIG. 5 is a left side elevational view thereof; and,
FIG. 6 is a right side elevational view thereof.
The broken lines in the drawings represent unclaimed portions of the spa shell and form no part thereof.

(52) **U.S. Cl.**

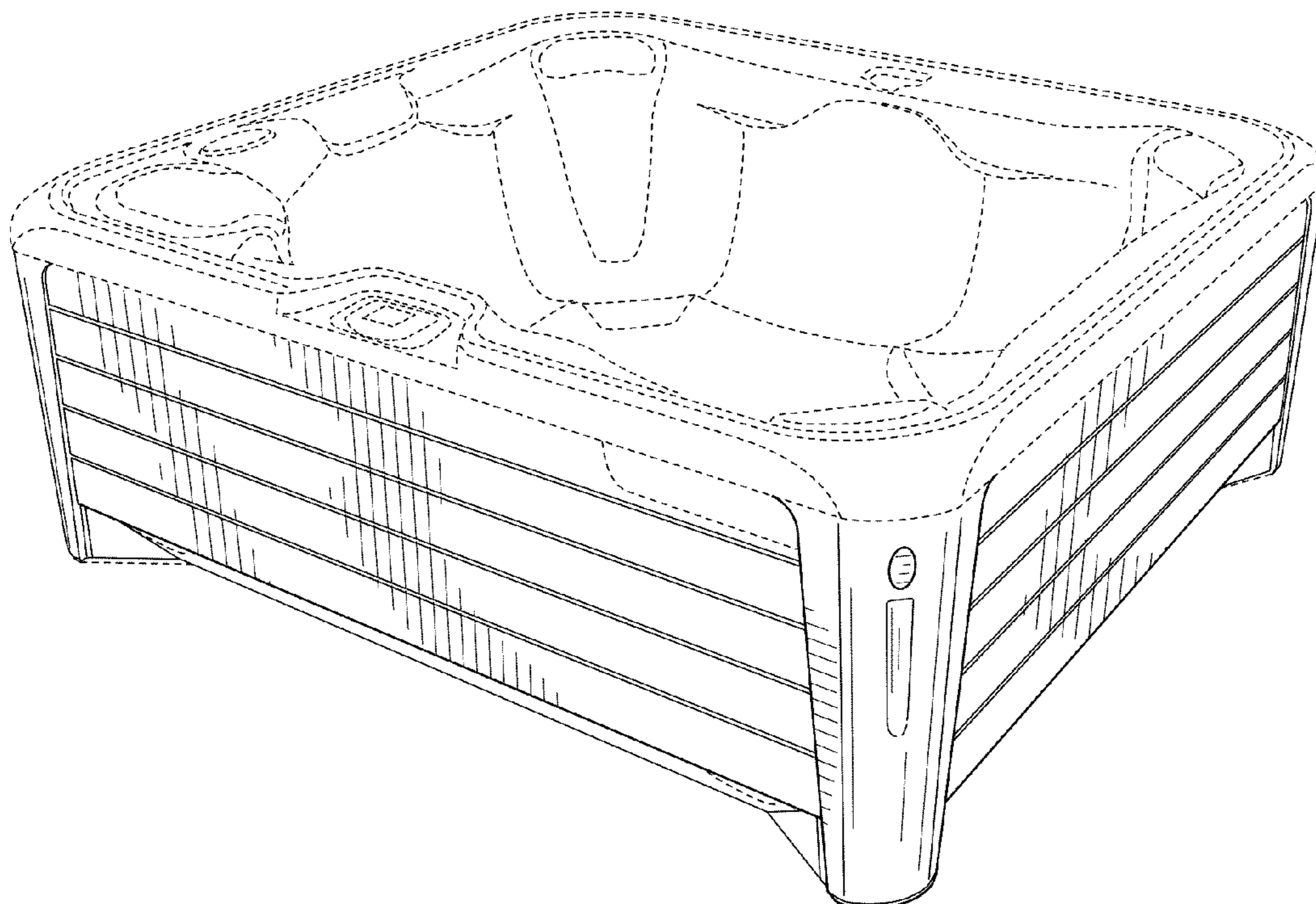
USPC **D24/204**

(58) **Field of Classification Search**

USPC D24/201, 204, 205; D23/277, 278, 276,
D23/280.1–280.3; 601/154–158;
4/541.1–541.6, 547, 578.1, 579

See application file for complete search history.

1 Claim, 4 Drawing Sheets



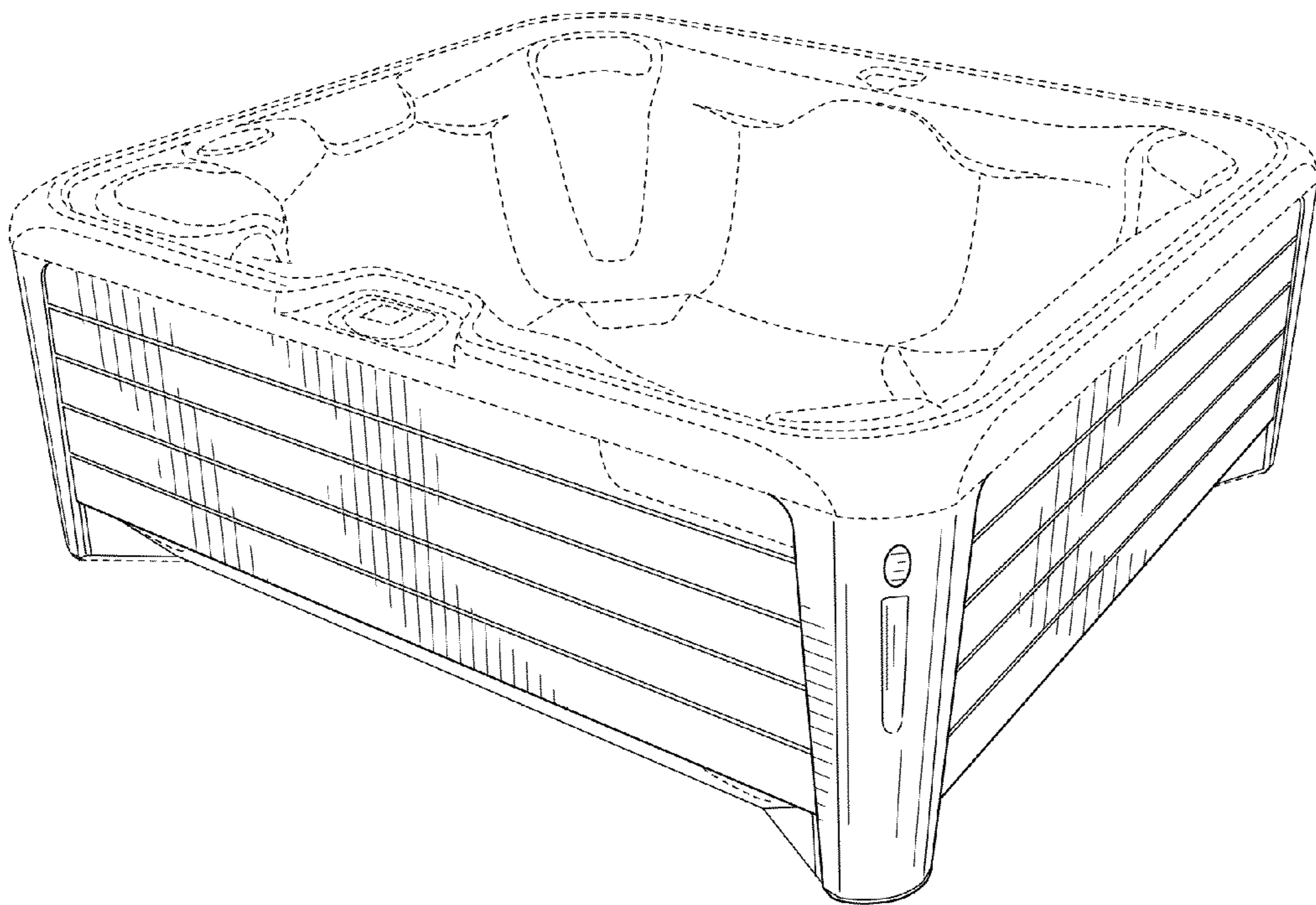


FIG. 1

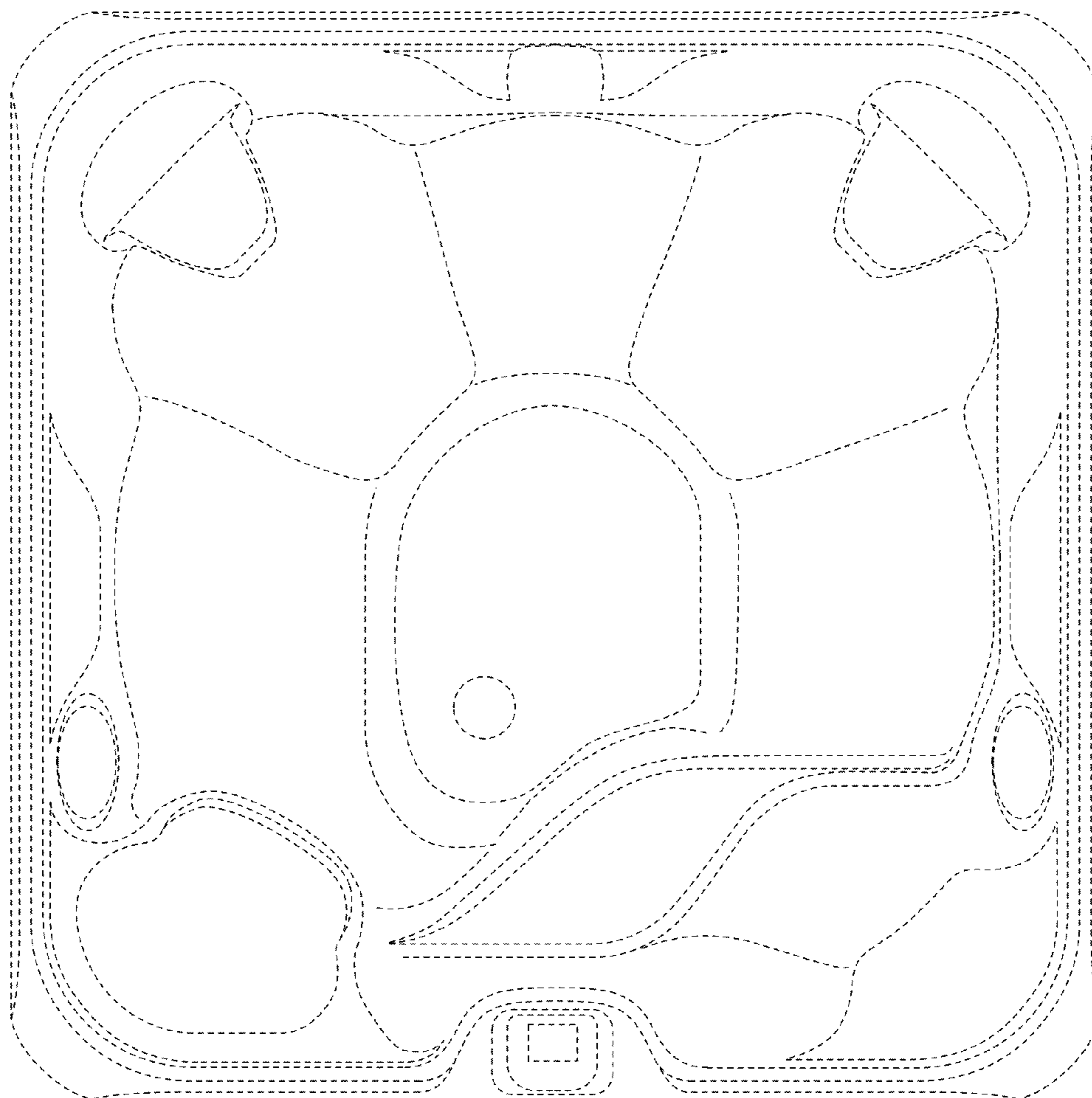


FIG. 2

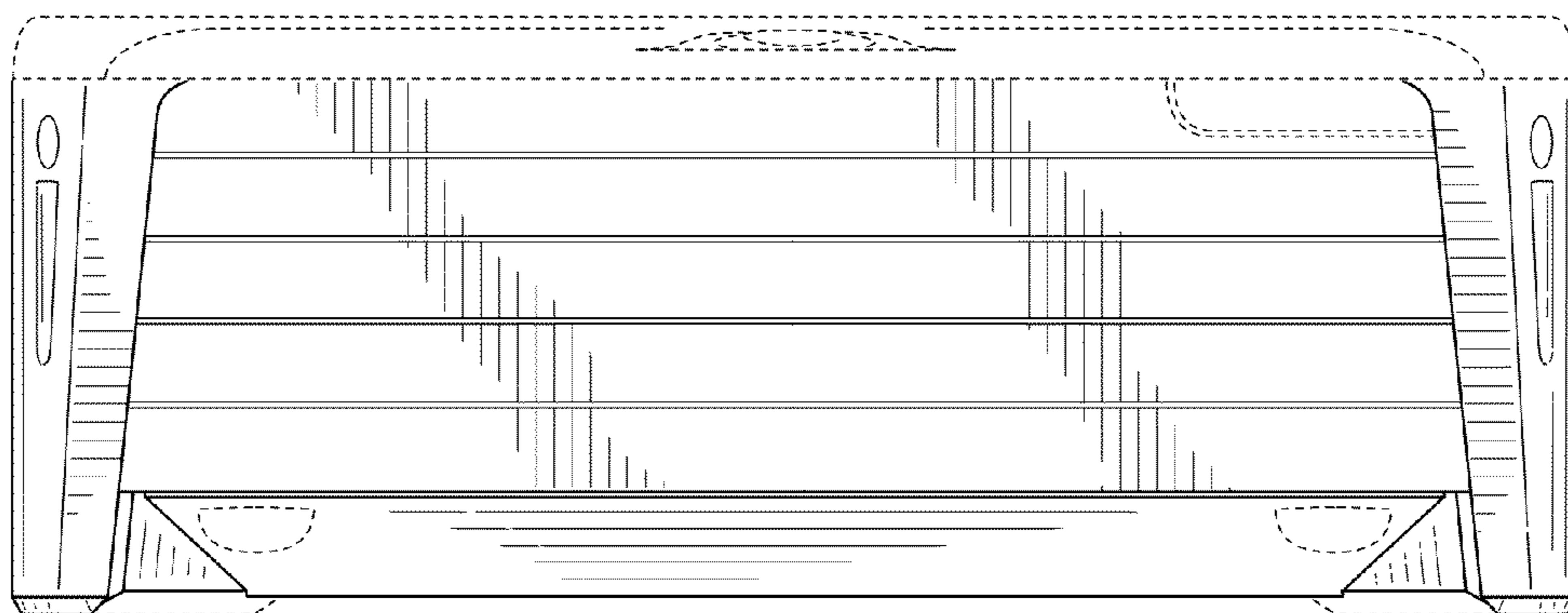


FIG. 3

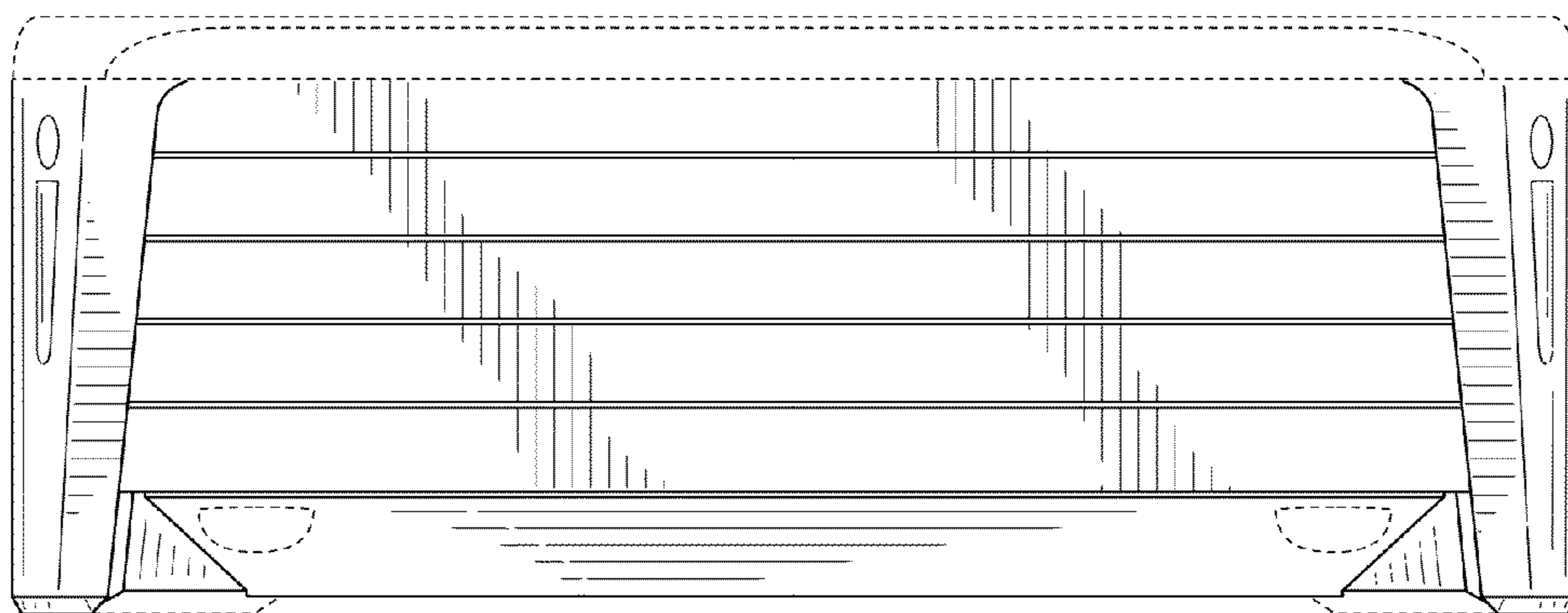


FIG. 4

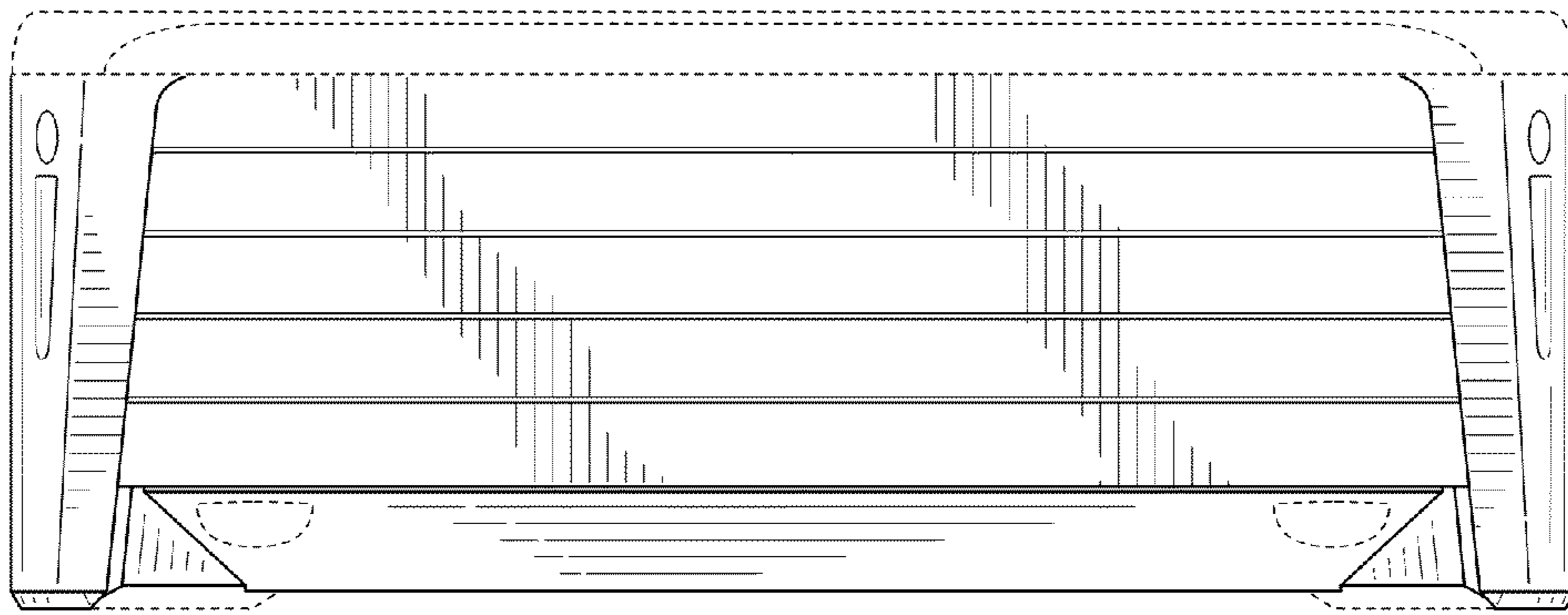


FIG. 5

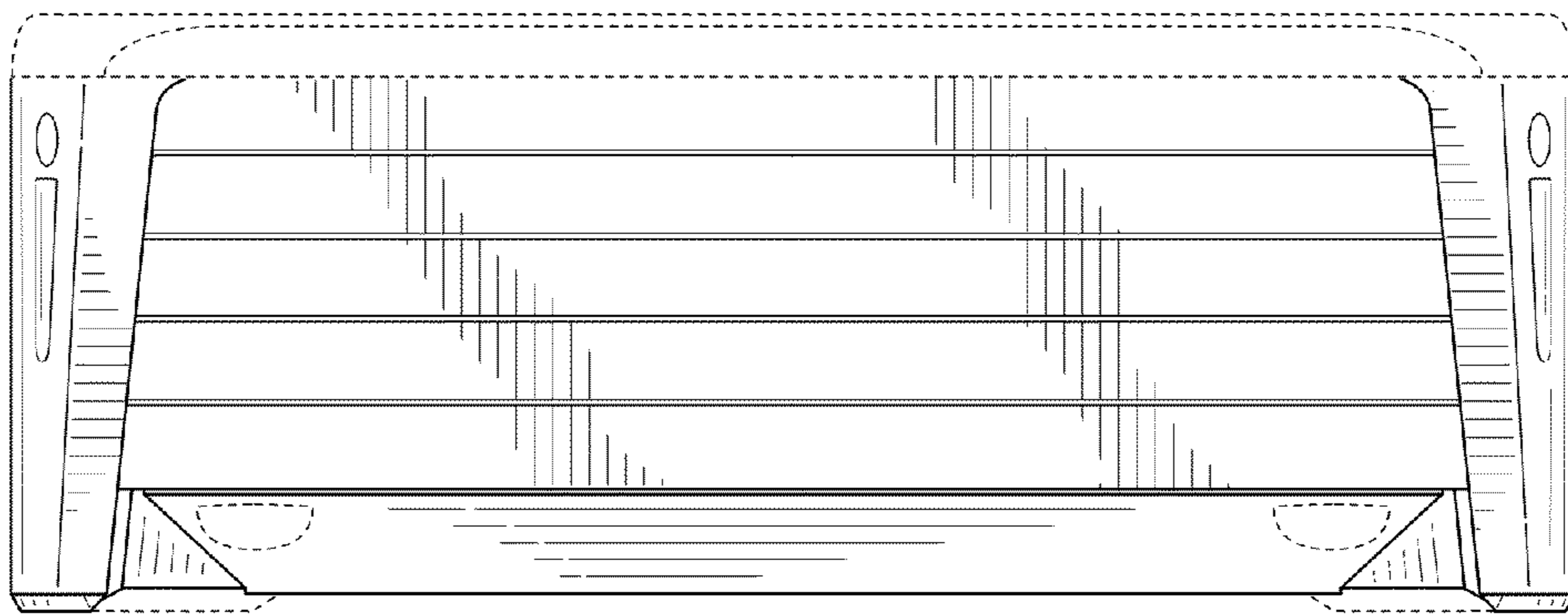


FIG. 6

UNITED STATES PATENT AND TRADEMARK OFFICE
CERTIFICATE OF CORRECTION

PATENT NO. : D730,534 S
APPLICATION NO. : 29/477467
DATED : May 26, 2015
INVENTOR(S) : Christopher Carl Larsen et al.

Page 1 of 1

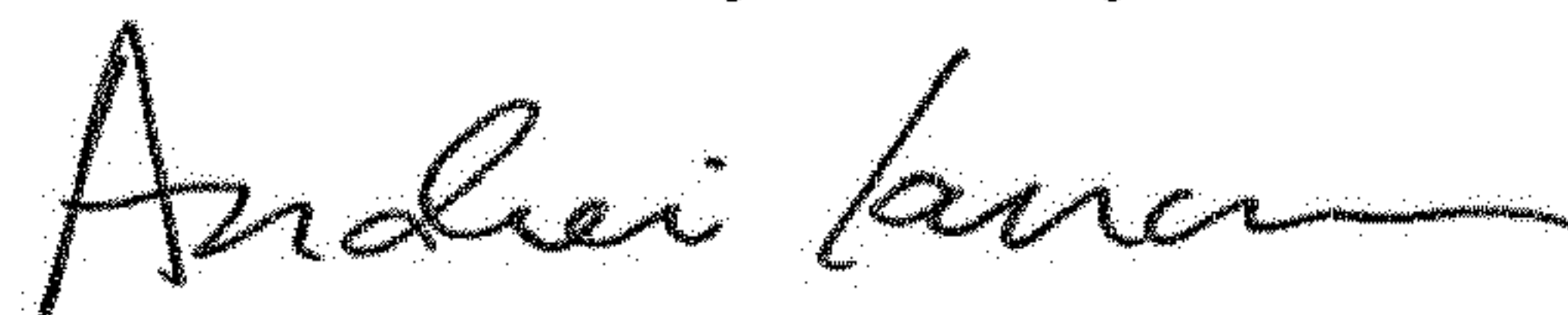
It is certified that error appears in the above-identified patent and that said Letters Patent is hereby corrected as shown below:

On the Title Page

Item (72), insert:

--Christopher Carl Larsen, Vista, CA (US);
Sage Nathan Baker, Cardiff by the Sea, CA (US);
Fernando Pardo, Newbury Park, CA (US);
Tim Dze-How Chuang, Encino, CA (US);
Alexandra McGill, Los Angeles, CA (US);
Martti Johannes Lampela, Woodland Hills, CA (US)--.

Signed and Sealed this
Seventh Day of May, 2019



Andrei Iancu
Director of the United States Patent and Trademark Office