



US00D730533S

(12) **United States Design Patent**  
**Wilson**

(10) **Patent No.:** **US D730,533 S**  
(45) **Date of Patent:** **\*\* May 26, 2015**

(54) **SQUEEZABLE LEAK PROOF FEEDING BOTTLE**

(71) Applicant: **Kiley Steven Wilson**, Paso Robles, CA (US)

(72) Inventor: **Kiley Steven Wilson**, Paso Robles, CA (US)

(\*\*) Term: **14 Years**

(21) Appl. No.: **29/476,683**

(22) Filed: **Dec. 16, 2013**

(51) **LOC (10) Cl.** ..... **07-01**

(52) **U.S. Cl.**  
USPC ..... **D24/197**

(58) **Field of Classification Search**  
CPC ..... **A61J 9/005**  
USPC ..... **220/694, 703, 227, 235, 714, 727, 745; D24/197, 193, 207, 129, 127, 196; D9/452; 215/11.1, 11.2, 11.3, 11.4, 215/11.5, 11.6, 344**  
See application file for complete search history.

(56) **References Cited**

**U.S. PATENT DOCUMENTS**

2,743,044	A	4/1956	Deemer et al.	
D223,438	S *	4/1972	Lluch	D9/539
D240,968	S *	8/1976	Hurst	D24/197
D413,067	S *	8/1999	Haley	D9/539
D602,369	S *	10/2009	Potts et al.	D9/547
D627,895	S *	11/2010	Pheil et al.	D24/197
D628,078	S *	11/2010	Valderrama et al.	D9/542
D657,684	S *	4/2012	Venkataraman et al.	D9/541
D660,174	S *	5/2012	Schmertz et al.	D9/565
8,602,237	B2 *	12/2013	Wurster et al.	215/373
D705,072	S *	5/2014	Fedewa et al.	D9/539
2009/0242562	A1 *	10/2009	Valderrama et al.	220/288
2010/0230373	A1	9/2010	Lo	
2012/0305582	A1 *	12/2012	Dunn et al.	220/714
2014/0107608	A1 *	4/2014	McBean et al.	604/500

**OTHER PUBLICATIONS**

Internet Website Nov. 14, 2013: <http://www.amazon.com/SquooshiReusable-Pouch-Large-Walrus-4-Count/dp/>

B00AWJHCDW/ref=sr\_1\_1?ie=UTF8&qid=1384457479&sr=8-1&keywords=Squooshi-Count-Reusable-Pouch-Walrus.  
Internet Website May 24, 2013: [http://www.amazon.com/Infantino-208-107-Keeper-Squeeze-Pouch/dp/B00B9ZHLRU/ref=sr\\_1\\_3?ie=UTF8&qid=1369177164&sr=8-3&keywords=Infantino+Squeeze](http://www.amazon.com/Infantino-208-107-Keeper-Squeeze-Pouch/dp/B00B9ZHLRU/ref=sr_1_3?ie=UTF8&qid=1369177164&sr=8-3&keywords=Infantino+Squeeze).  
Internet Website Nov. 14, 2013: <http://thesilico.com/products.html>.  
Internet Website Nov. 14, 2013: <http://beabausa.com/products-categories/feeding/babypote/>.  
Internet Website Nov. 14, 2013: <http://www.amazon.com/Munchkin-Ounce-Squeezy-Spoon-Colors/dp/B004HMQPJ2>.  
Internet Website Nov. 14, 2013: [http://www.amazon.com/Boon-Squirt-Dispensing-Spoon-Orange/dp/B000WEHO76/ref=sr\\_1\\_2?s=baby-products&ie=UTF8&qid=1384460473&sr=1-2&keywords=boon+squirt](http://www.amazon.com/Boon-Squirt-Dispensing-Spoon-Orange/dp/B000WEHO76/ref=sr_1_2?s=baby-products&ie=UTF8&qid=1384460473&sr=1-2&keywords=boon+squirt).

\* cited by examiner

*Primary Examiner* — George D Kirschbaum  
*Assistant Examiner* — Kendra L Hamilton  
(74) *Attorney, Agent, or Firm* — Stetina Brunda Garred & Brucker

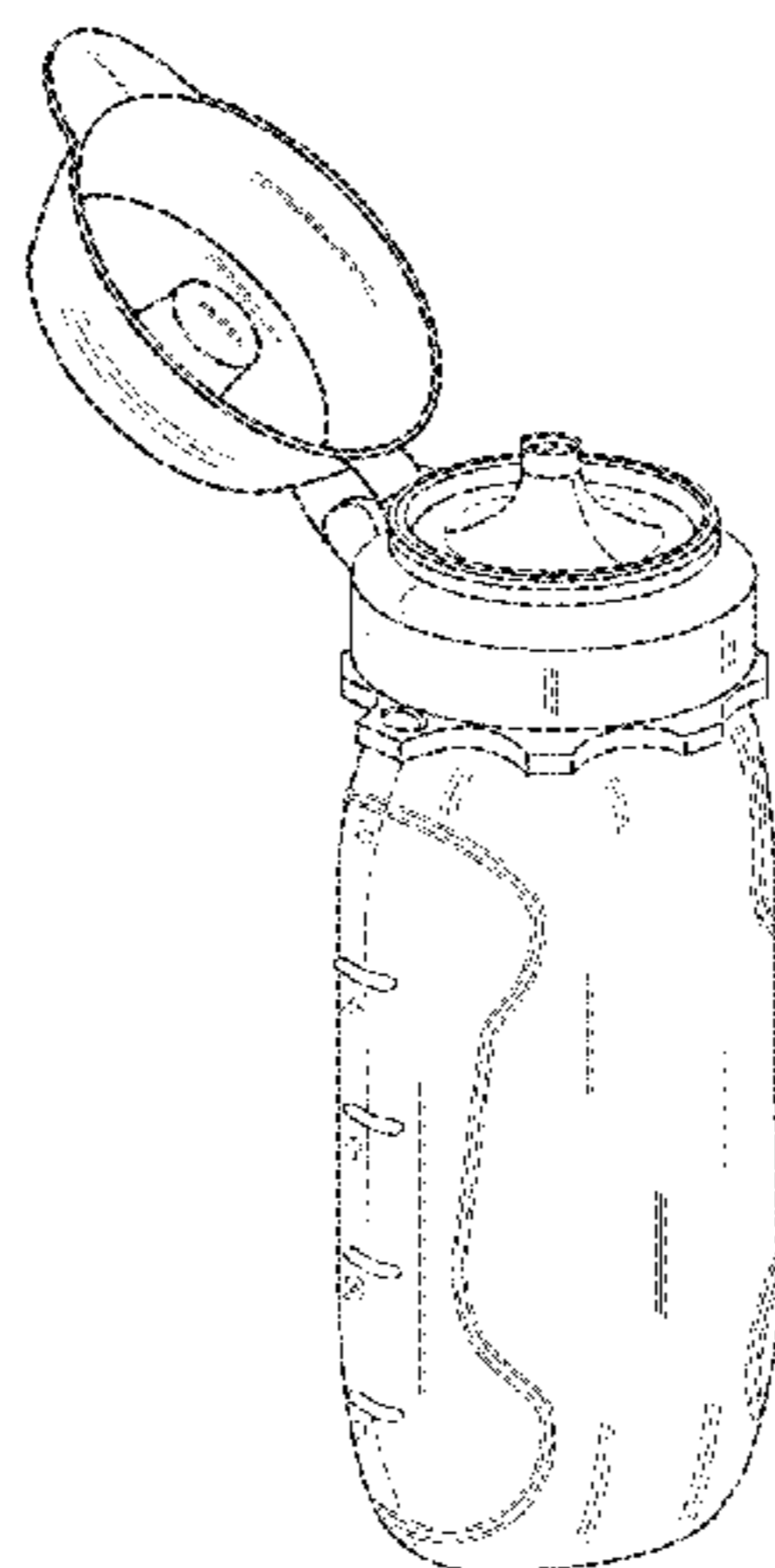
(57) **CLAIM**

The ornamental design for a squeezable leak proof feeding bottle, as shown and described.

**DESCRIPTION**

FIG. 1 is a front elevational view of the squeezable leak proof feeding bottle.  
FIG. 2 is a back elevational view of the squeezable leak proof feeding bottle.  
FIG. 3 is a right side elevational view of the squeezable leak proof feeding bottle.  
FIG. 4 is a left side elevational view of the squeezable leak proof feeding bottle.  
FIG. 5 is a top plan view of the squeezable leak proof feeding bottle.  
FIG. 6 is a bottom plan view of the squeezable leak proof feeding bottle.  
FIG. 7 is a front perspective view of the squeezable leak proof feeding bottle showing the feeder cap open as in use for feeding; and,  
FIG. 8 is an exploded perspective view of the squeezable leak proof feeding bottle showing the feeder disassembled as for cleaning.

**1 Claim, 3 Drawing Sheets**



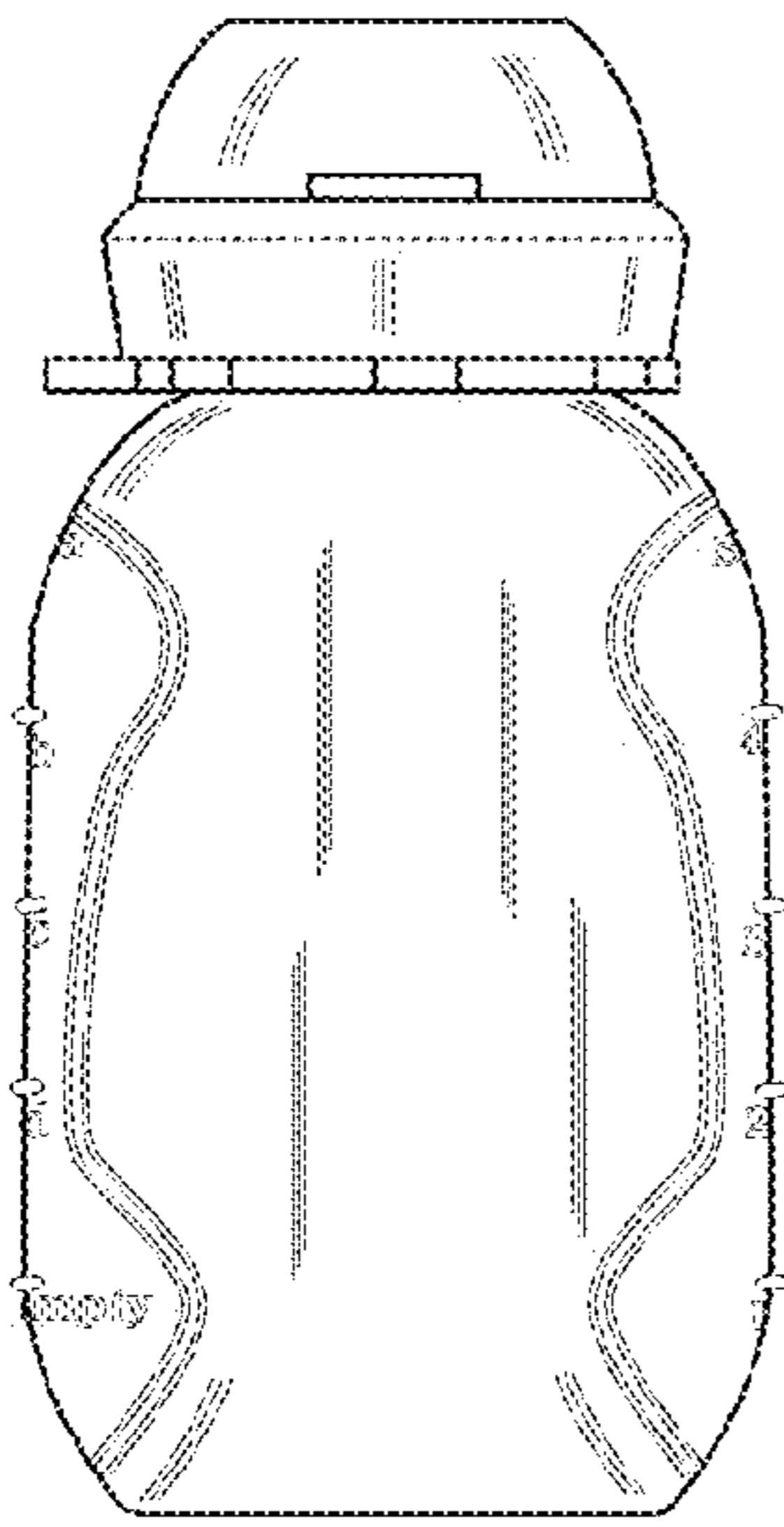


Fig. 1

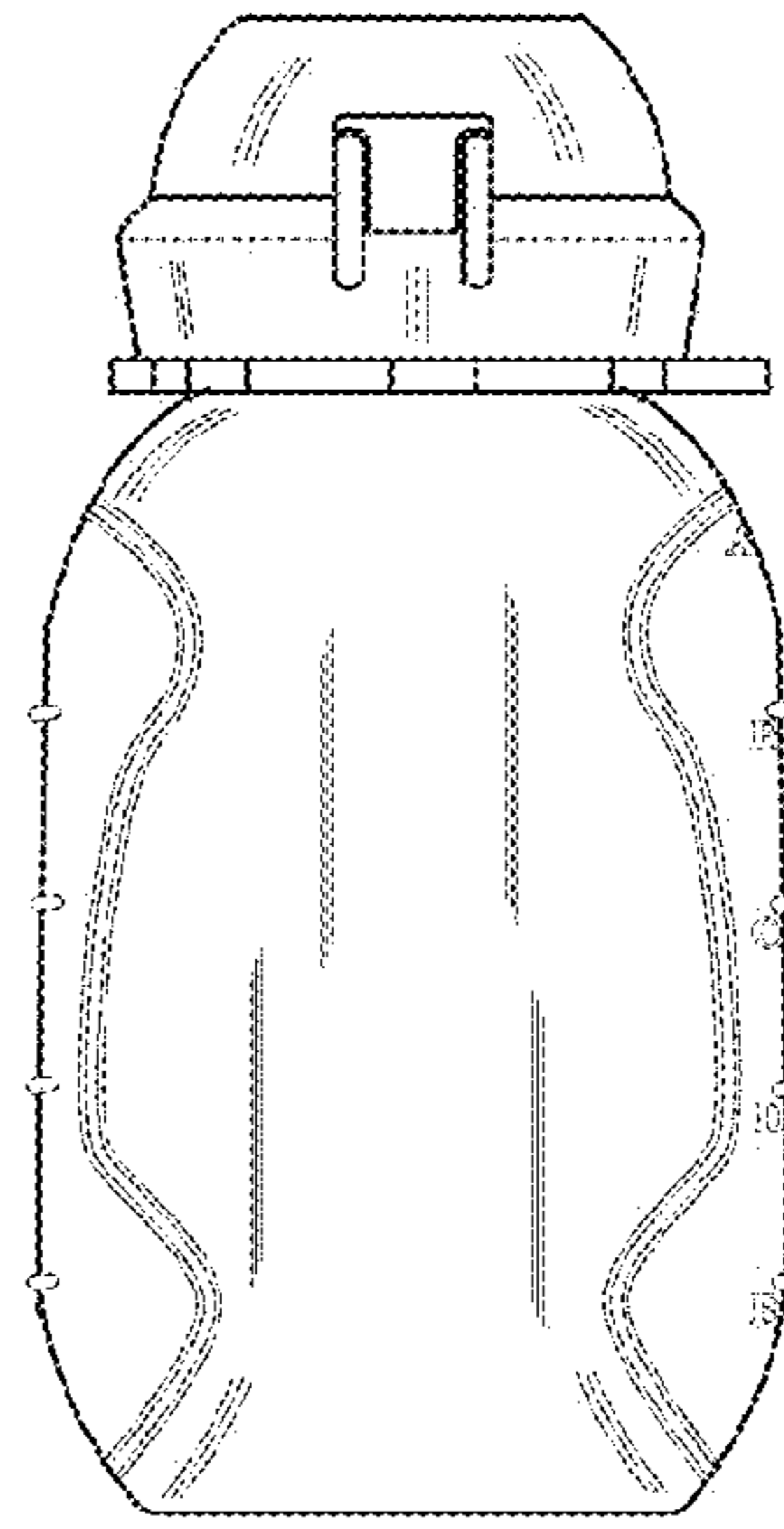


Fig. 2

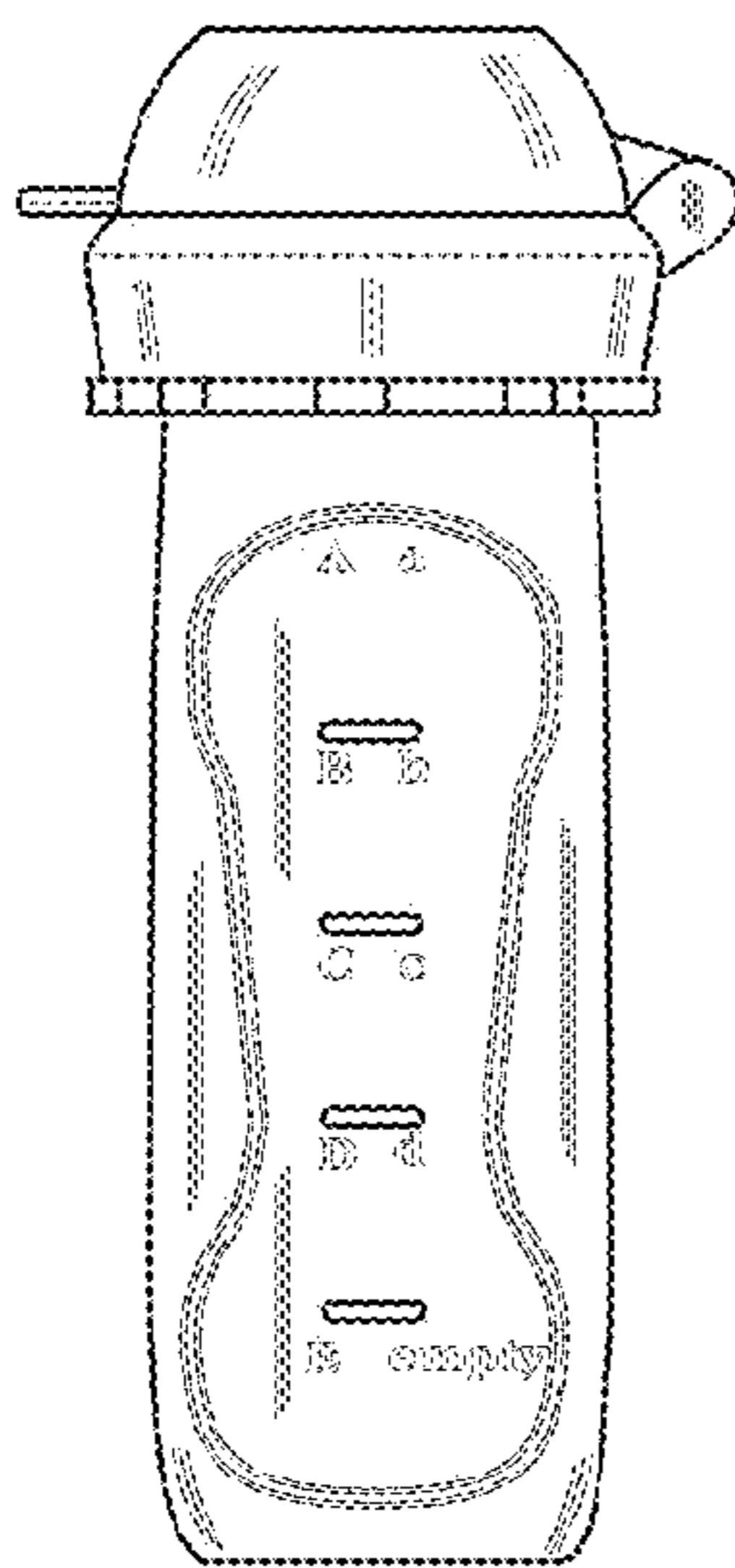


Fig. 3

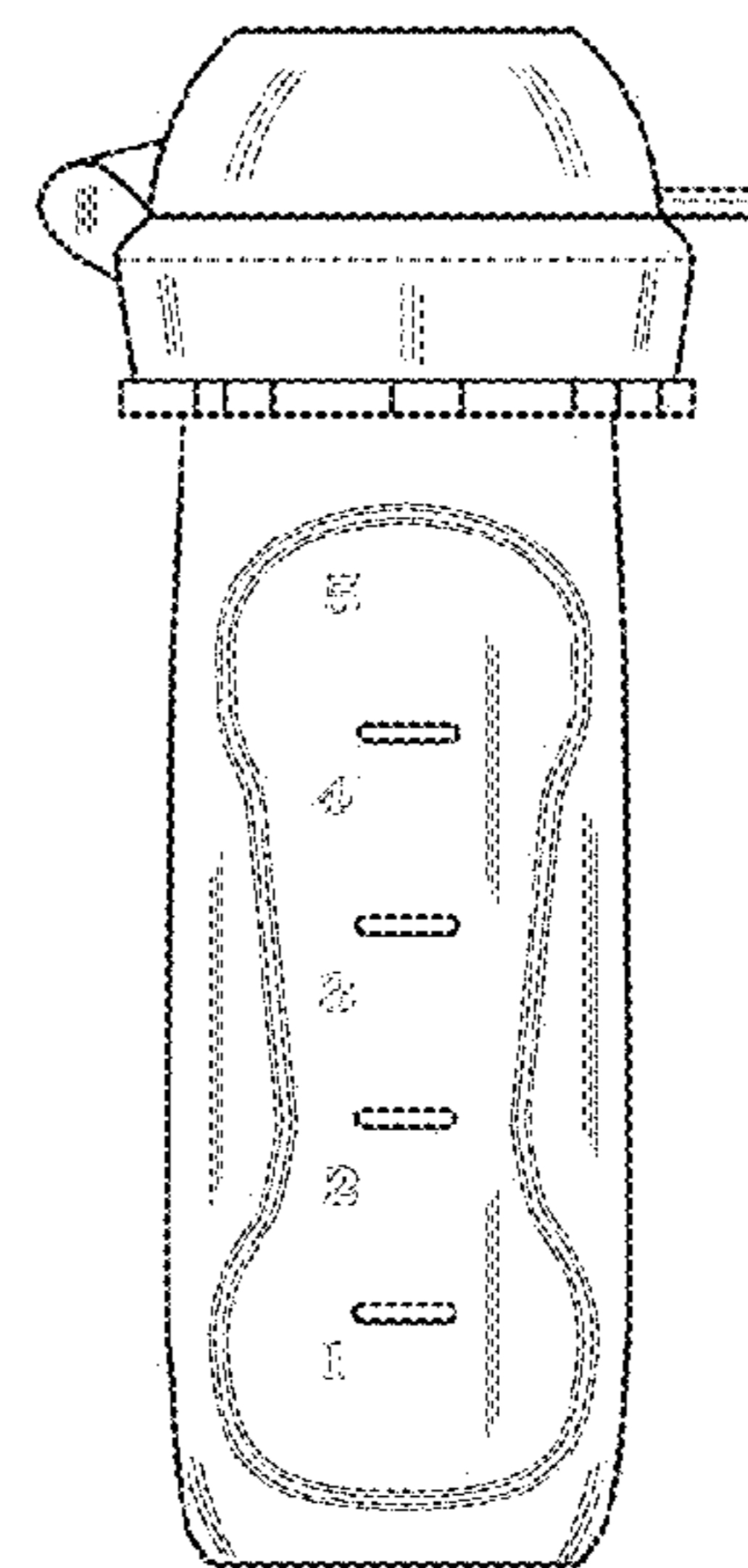


Fig. 4

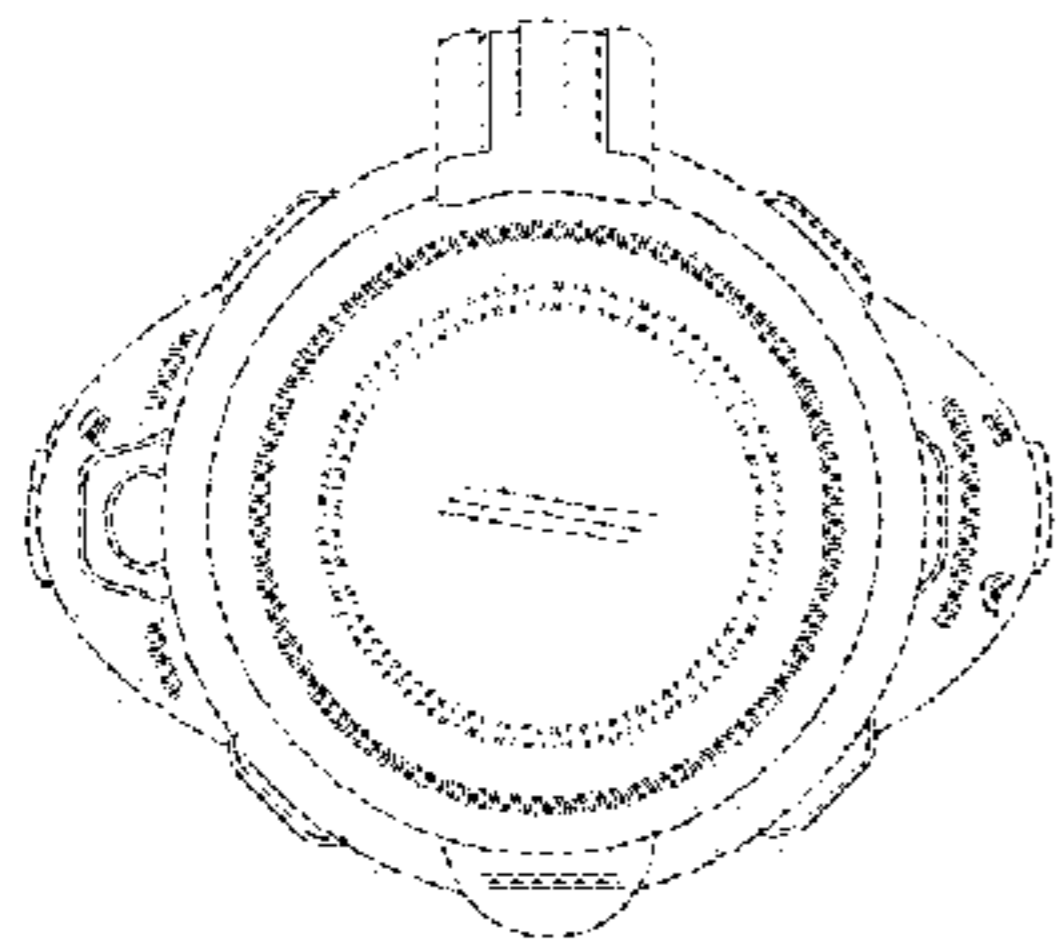


Fig. 5

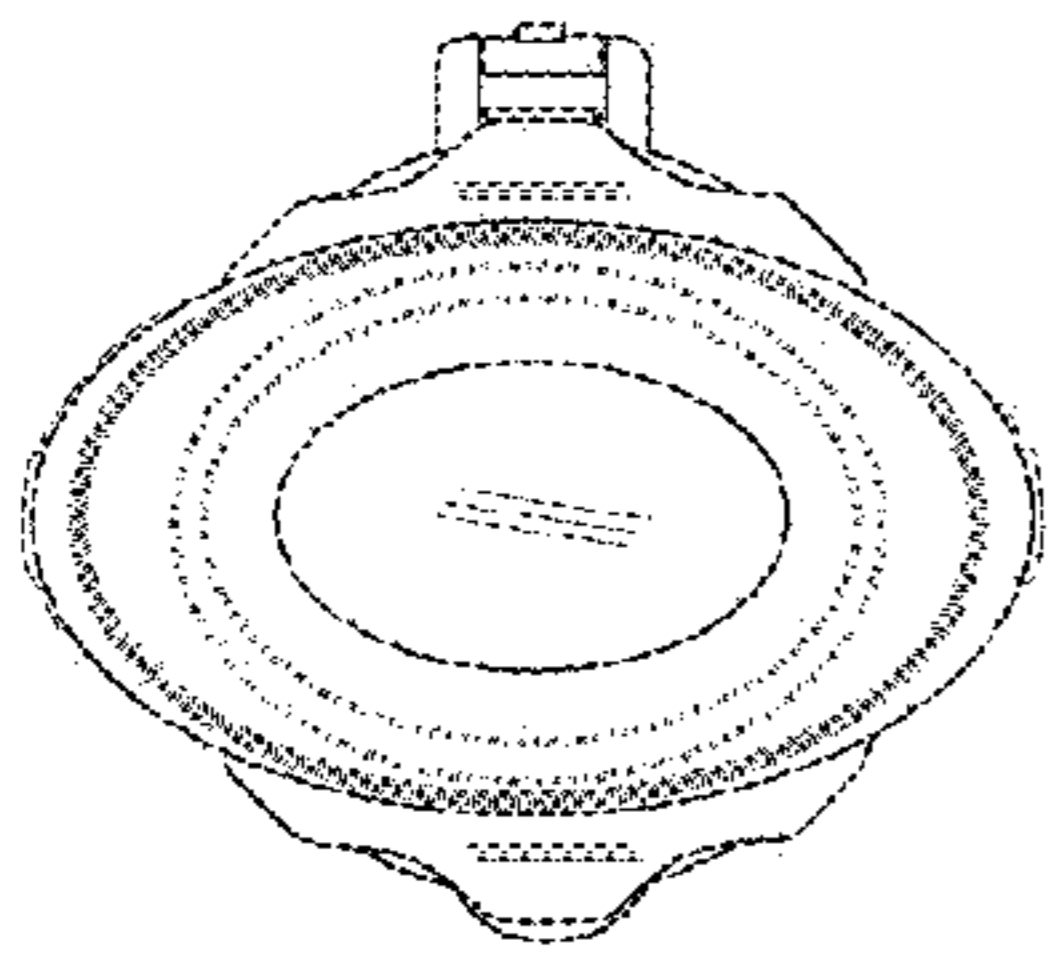


Fig. 6

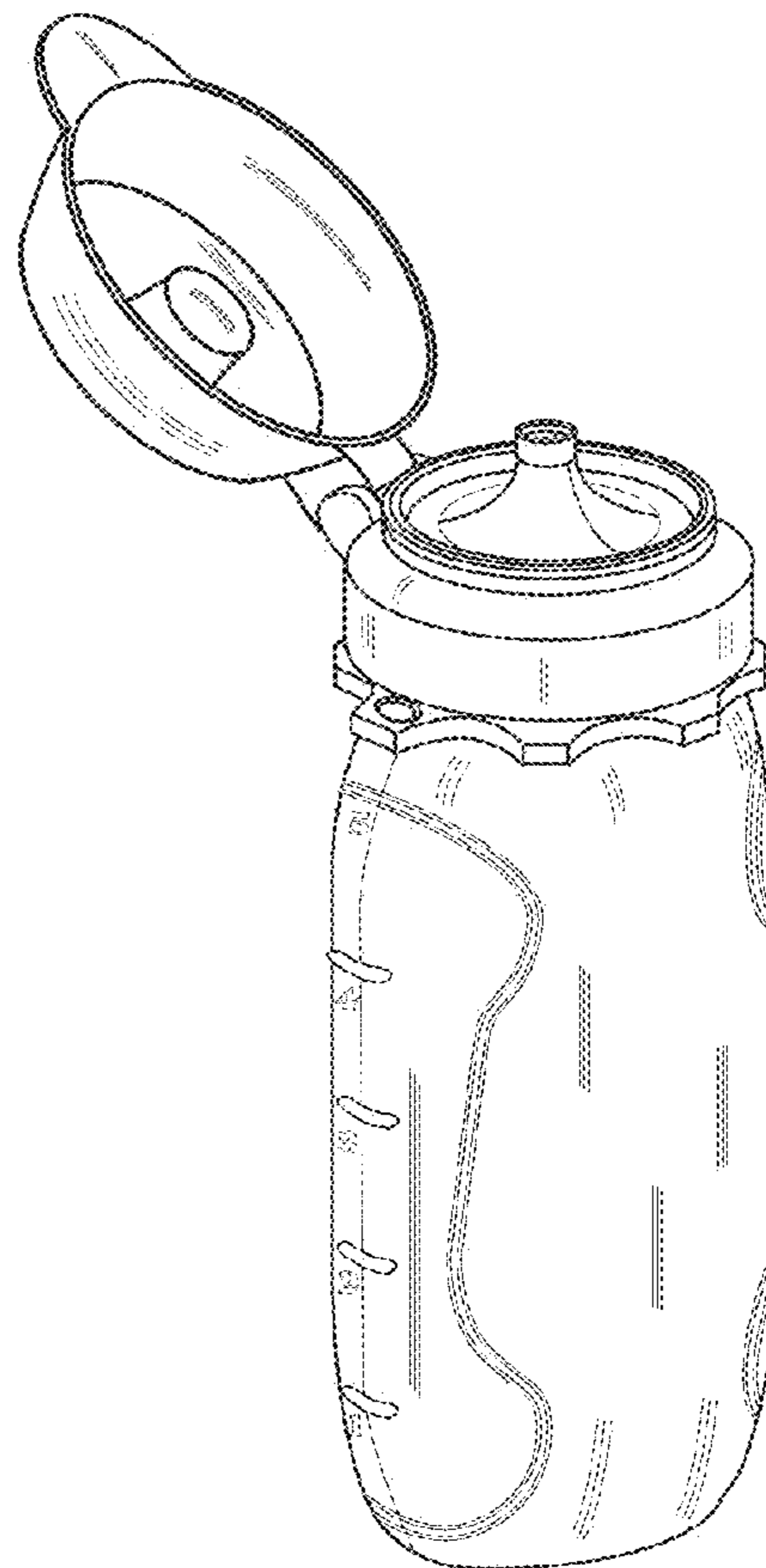


Fig. 7

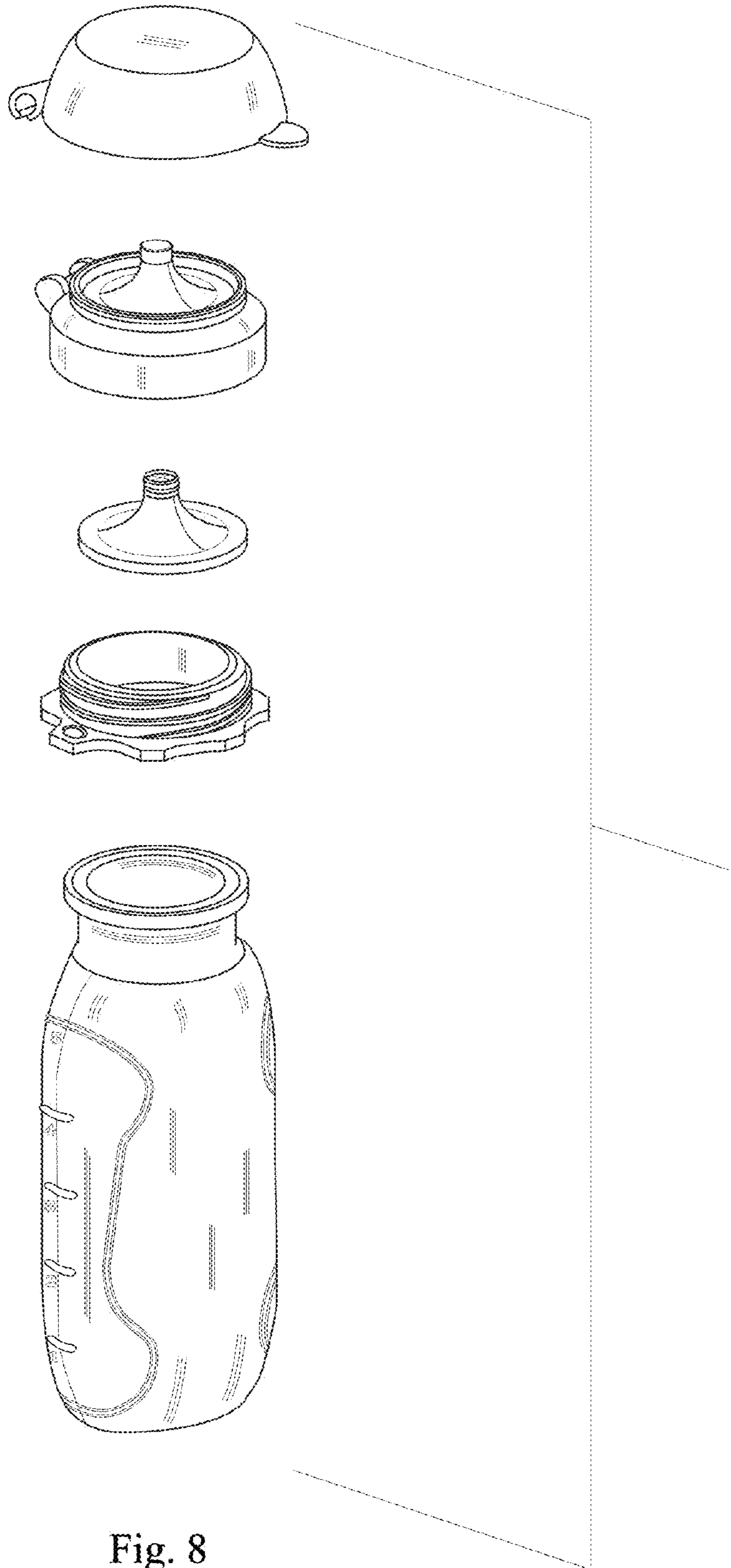


Fig. 8