



US00D730528S

(12) **United States Design Patent**
Yang

(10) **Patent No.:** **US D730,528 S**

(45) **Date of Patent:** **** May 26, 2015**

(54) **PLATFORM OF MEDICAL CART**
(71) Applicant: **MELTEN CORPORATION**, Taipei (TW)
(72) Inventor: **Chi-Wen Yang**, Taichung (TW)
(73) Assignee: **MELTEN CORPORATION**, Taipei (TW)
(**) Term: **14 Years**

D620,121	S	*	7/2010	Moscovita et al.	D24/185
D626,239	S	*	10/2010	Lia et al.	D24/185
D632,798	S	*	2/2011	Tran	D24/213
D637,782	S	*	5/2011	Steffens	D34/14
D650,084	S	*	12/2011	Tran	D24/204
D652,931	S	*	1/2012	Petteway	D24/164
D652,932	S	*	1/2012	Petteway	D24/164
8,210,548	B1	*	7/2012	Agyemang	280/47.35
D696,783	S	*	12/2013	Chung et al.	D24/185
D702,842	S	*	4/2014	Hyde et al.	D24/185
D709,202	S	*	7/2014	Lamoureux	D24/185
D720,854	S	*	1/2015	Kim	D24/158
2004/0262867	A1	*	12/2004	Arceta et al.	280/47.35

(21) Appl. No.: **29/504,813**
(22) Filed: **Oct. 9, 2014**
(30) **Foreign Application Priority Data**
Aug. 14, 2014 (TW) 103304807
(51) **LOC (10) CL.** **24-00**
(52) **U.S. CL.**
USPC **D24/185**
(58) **Field of Classification Search**
USPC D24/185, 164, 204, 158, 111, 172, 213;
D34/14, 23; 280/47.35; D13/163
See application file for complete search history.

* cited by examiner

Primary Examiner — Ian Simmons
Assistant Examiner — Rhea Shields

(74) *Attorney, Agent, or Firm* — WPAT, PC; Justin King

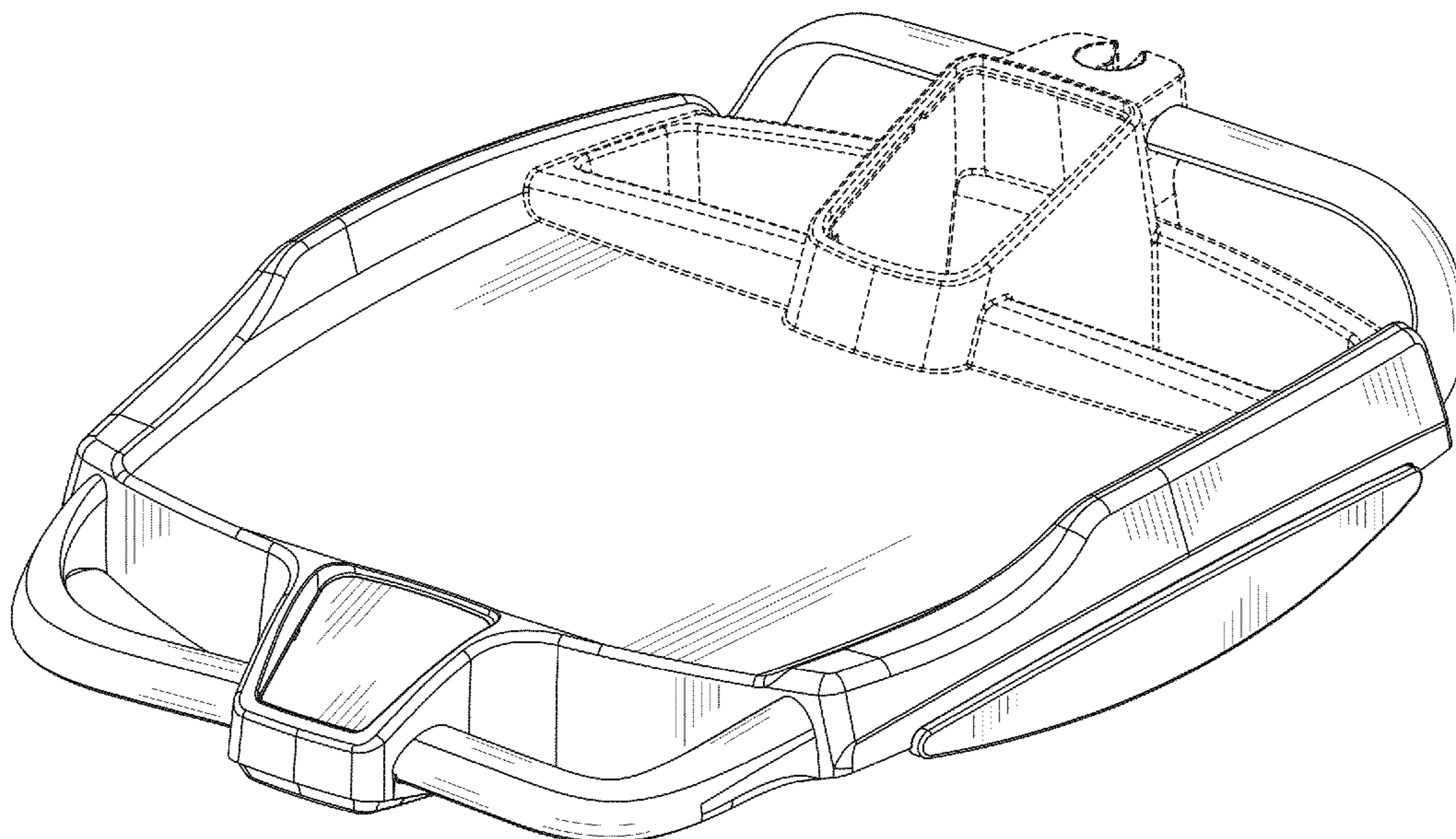
(57) **CLAIM**
The ornamental design for a platform of medical cart, as shown and described.

(56) **References Cited**
U.S. PATENT DOCUMENTS
D434,142 S * 11/2000 Cheney et al. D24/111
D446,854 S * 8/2001 Cheney et al. D24/111
D467,001 S * 12/2002 Buczek et al. D24/172
D532,953 S * 11/2006 Lauer et al. D34/23
D550,362 S * 9/2007 Olivera et al. D24/185
D567,381 S * 4/2008 Olivera et al. D24/185
D568,258 S * 5/2008 Adam D13/163
D588,272 S * 3/2009 Meiser D24/185
D615,208 S * 5/2010 Keffeler et al. D24/185

DESCRIPTION

FIG. 1 is an upper perspective view of a platform of medical cart showing my new design;
FIG. 2 is a front elevational view thereof;
FIG. 3 is a rear elevational view thereof;
FIG. 4 is a left side elevational view thereof;
FIG. 5 is a right side elevational view thereof;
FIG. 6 is a top plan view thereof; and,
FIG. 7 is an upper perspective view showing an exemplified use of my new design on a medical cart.
The bottom plan view of the platform of medical cart is omitted from the drawings since it is invisible while being used. In the drawings, the broken lines depict unclaimed subject matter only and form no part of the claimed design.

1 Claim, 7 Drawing Sheets



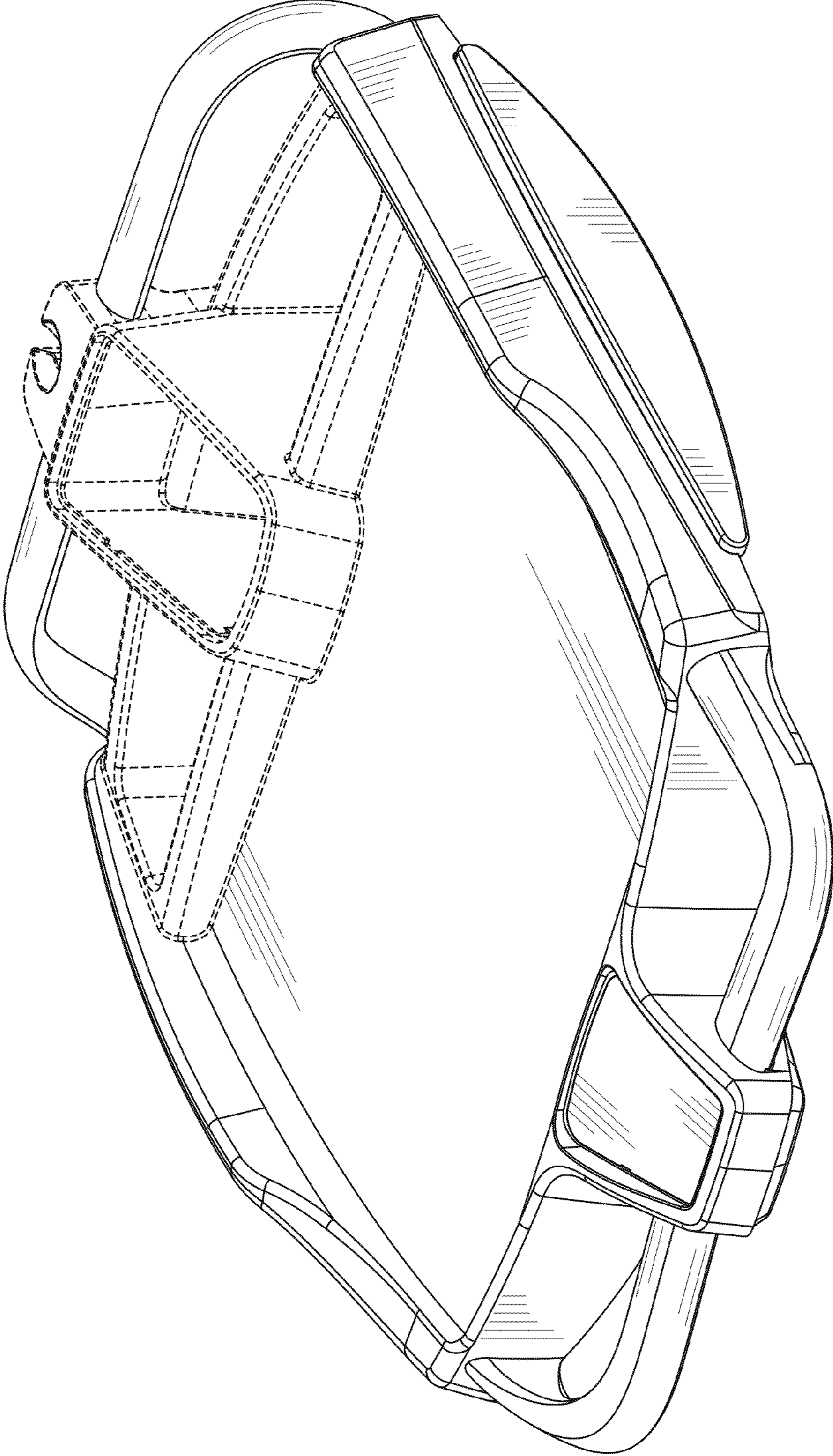


FIG. 1

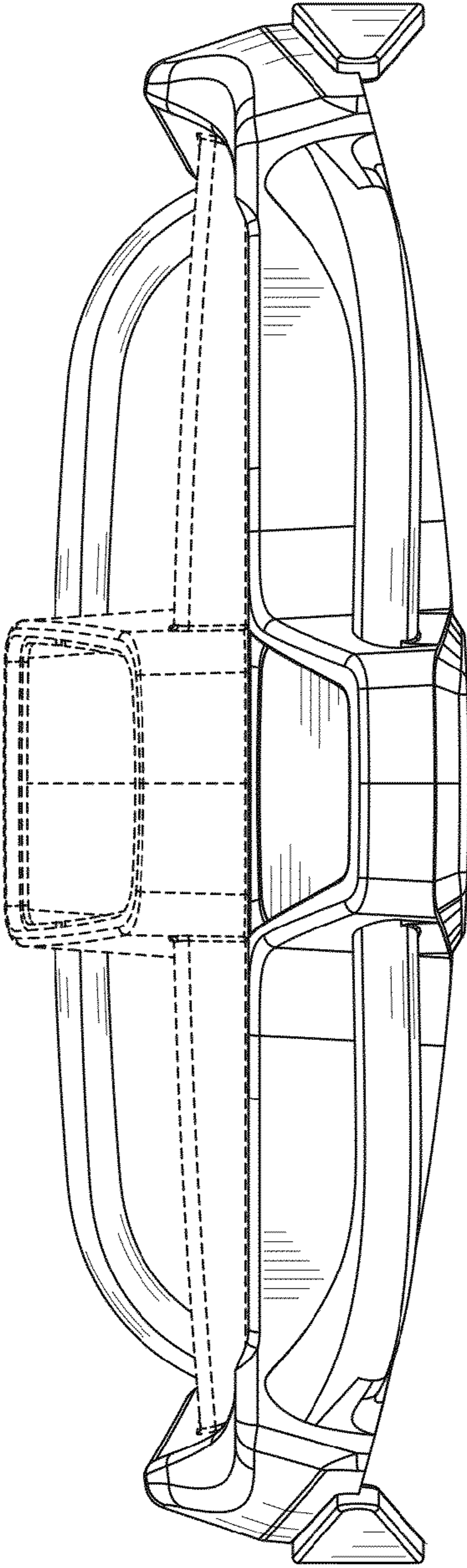


FIG.2

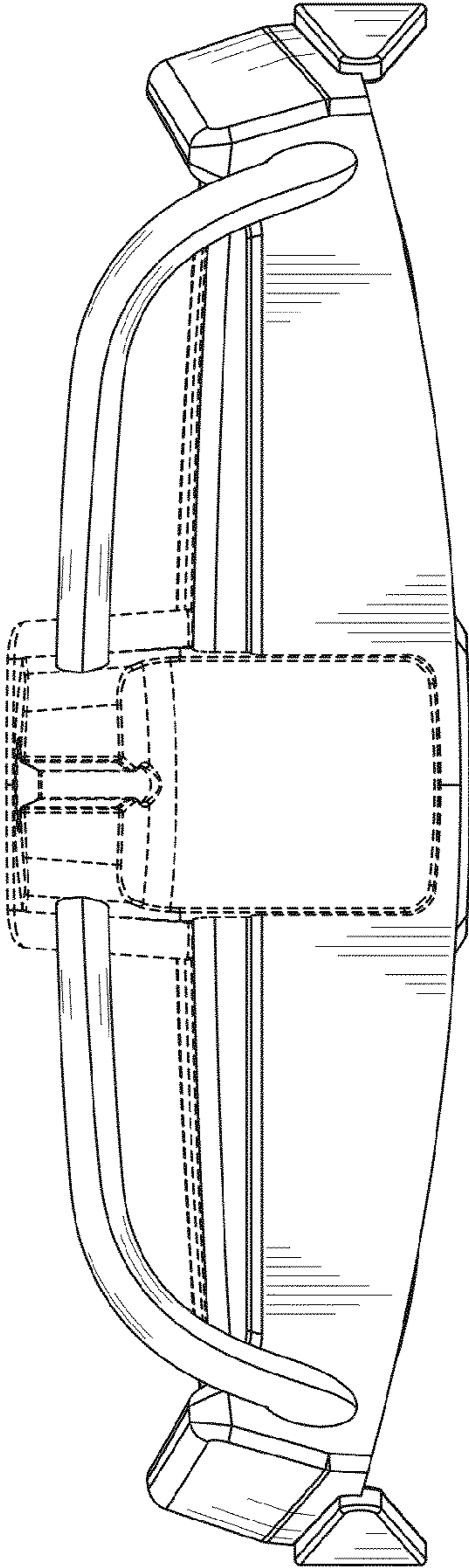


FIG.3

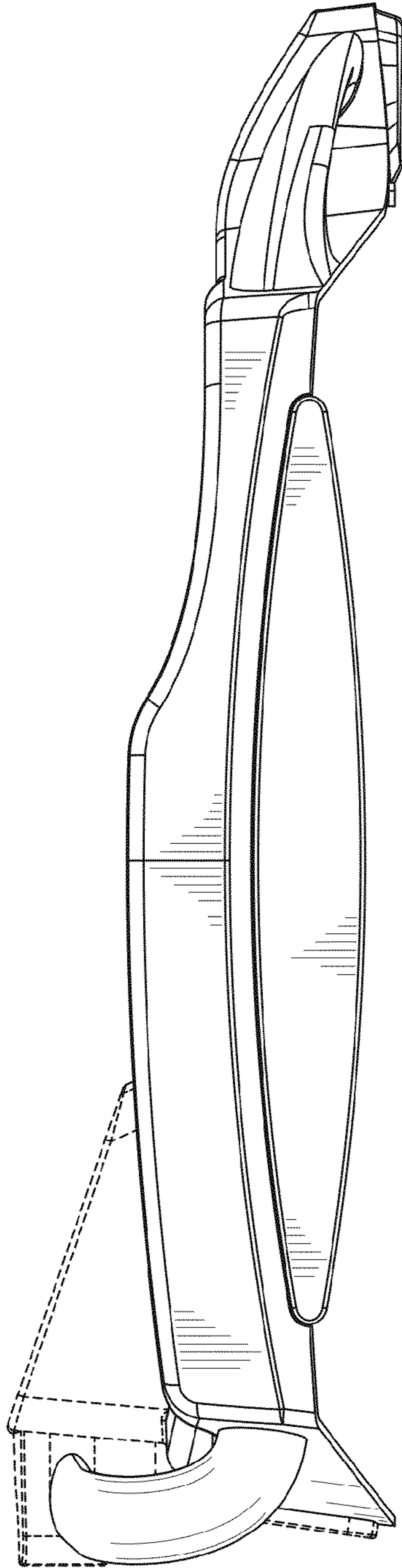


FIG. 4

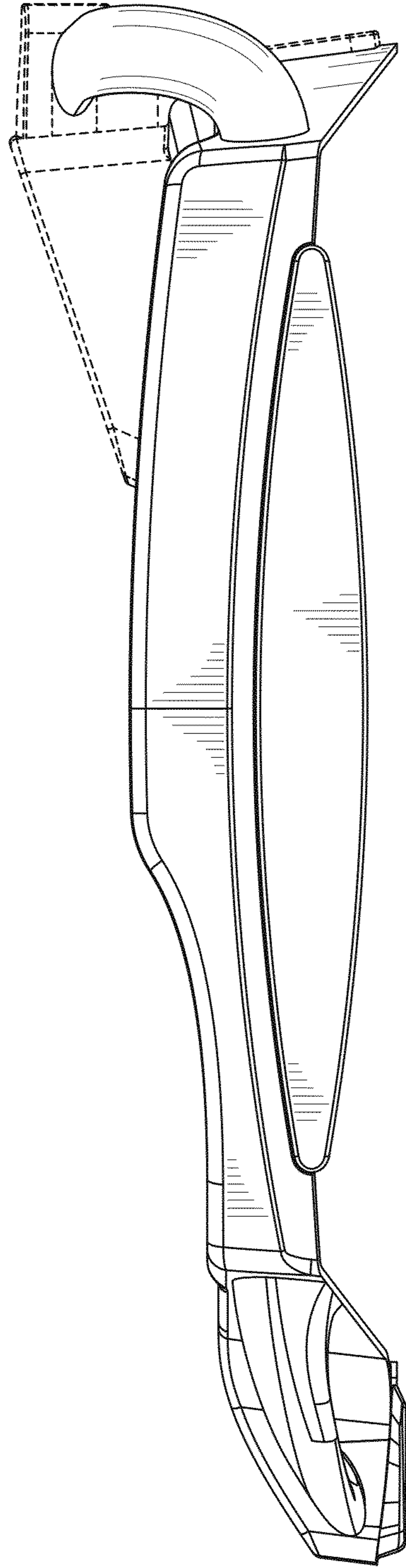


FIG. 5

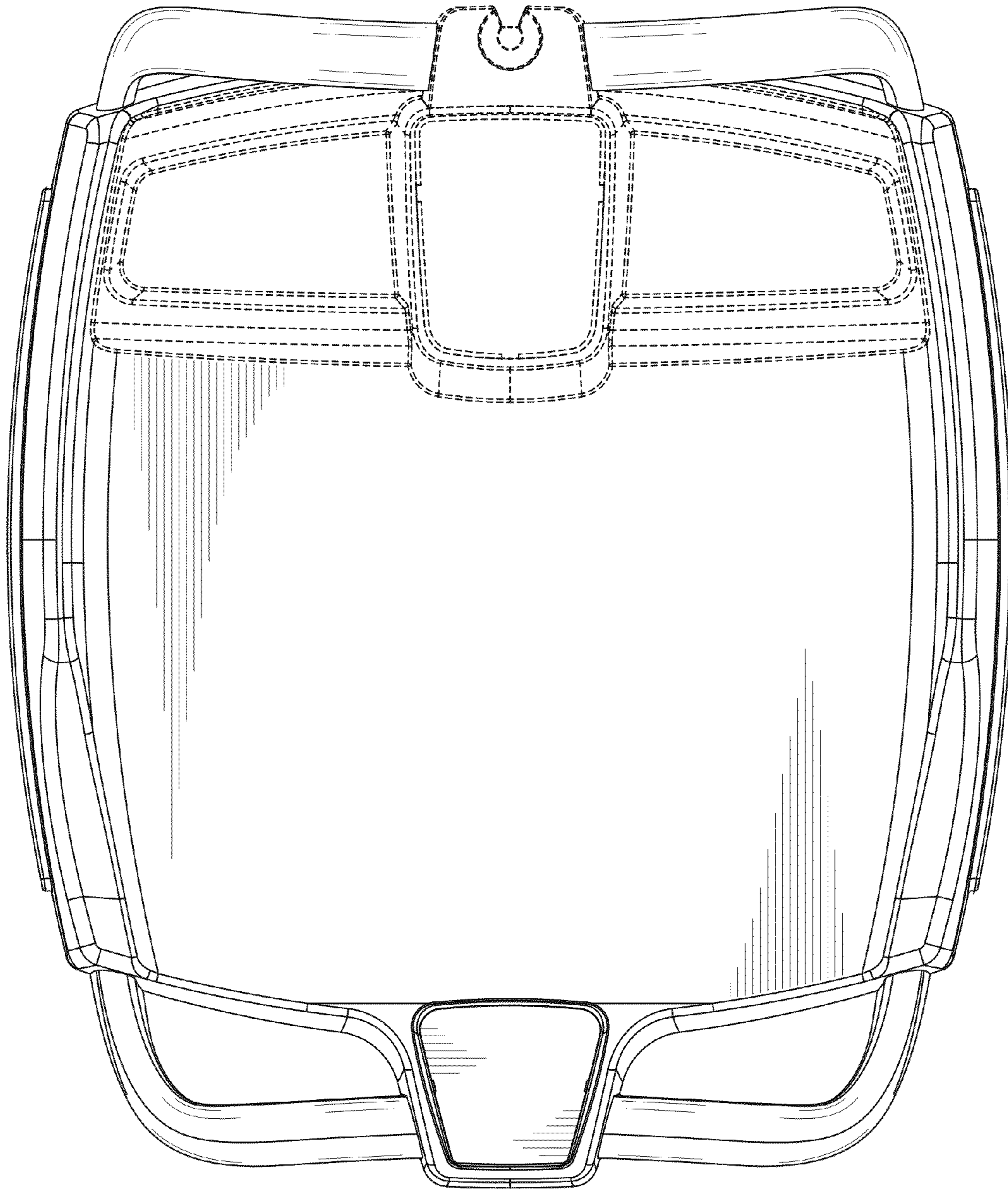


FIG.6

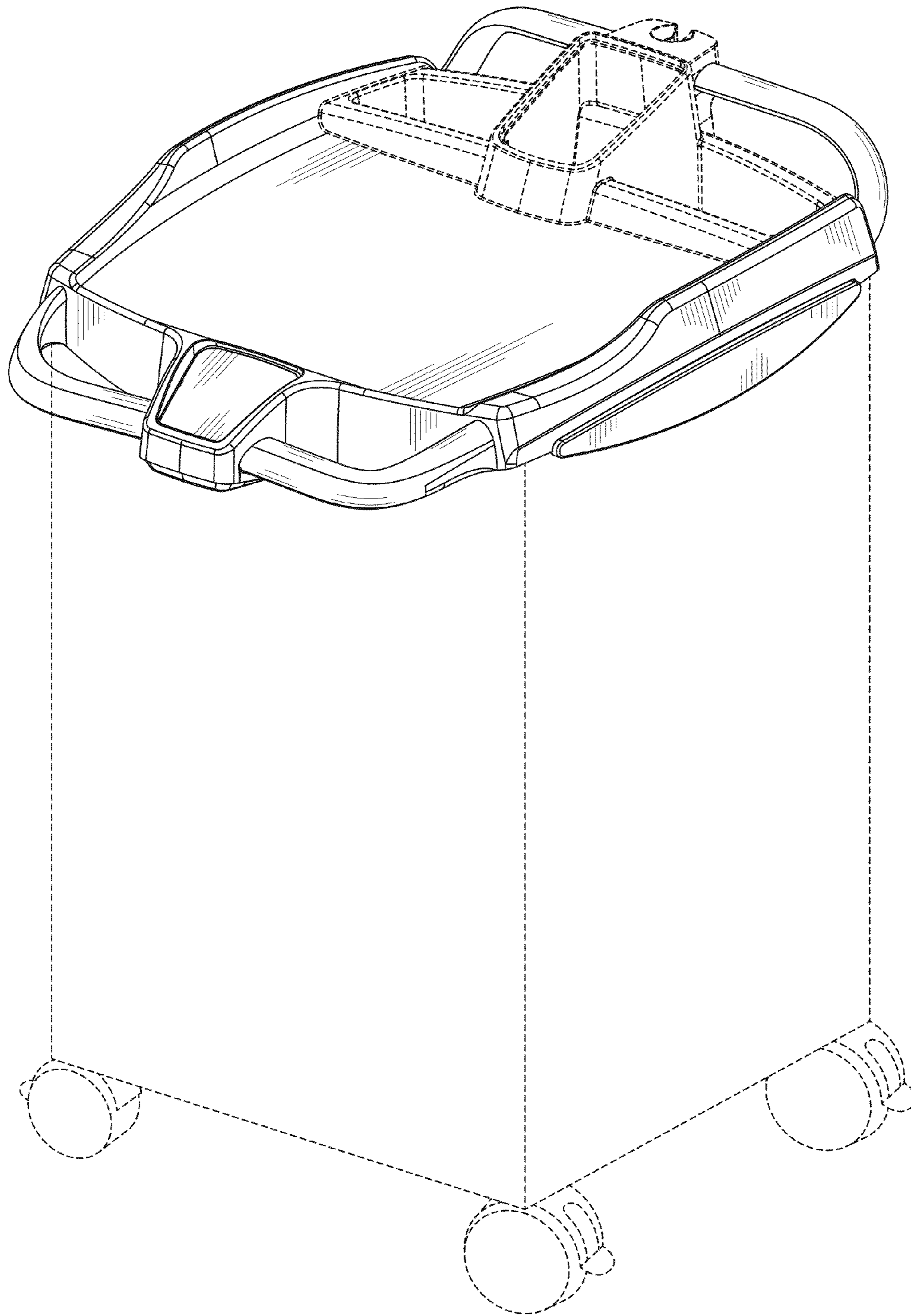


FIG.7