



US00D730525S

(12) **United States Design Patent**
Acker et al.

(10) **Patent No.:** **US D730,525 S**
(45) **Date of Patent:** **** *May 26, 2015**

(54) **THERAPEUTIC GAS DELIVERY DEVICE**

366/172.1, 181.4, 307, 318, 320, 323,
366/336, 339

(71) Applicant: **INO Therapeutics LLC**, Hampton, NJ
(US)

See application file for complete search history.

(72) Inventors: **Jaron Acker**, New York, NY (US);
Jarod Beukelman, Lake Mills, WI (US);
Curtis Benjamin Irwin, Madison, WI
(US); **Daniel J. Lee**, Monticello, WI
(US); **Nicholas Scott Reback**, Madison,
WI (US); **Sarah Jayne Ridley**,
Philipsburg, NJ (US); **David Robert**
Strait, Madison, WI (US)

(56) **References Cited**

PUBLICATIONS

Non-Final Office Action in U.S. Appl. No. 29/467,028, dated Mar.
27, 2014, 9 pgs.
Final Office Action in U.S. Appl. No. 29/467,028, dated Oct. 14,
2014, 7 pgs.

Primary Examiner — Holly Baynham

Assistant Examiner — Rhea Shields

(73) Assignee: **INO Therapeutics LLC**, Hampton, NJ
(US)

(74) *Attorney, Agent, or Firm* — Servilla Whitney LLC

(*) Notice: This patent is subject to a terminal dis-
claimer.

(57) **CLAIM**

The ornamental design for a therapeutic gas delivery device,
substantially as shown and described.

(**) Term: **14 Years**

DESCRIPTION

(21) Appl. No.: **29/467,025**

(22) Filed: **Sep. 13, 2013**

(51) **LOC (10) Cl.** **24-01**

(52) **U.S. Cl.**
USPC **D24/164**

(58) **Field of Classification Search**
USPC D24/220, 164, 221, 176, 180, 170, 187,
D24/142, 64, 165, 110.5, 110, 186, 232,
D24/216, 231, 169, 168, 163; D7/379;
D15/19, 138, 147; D14/218; D10/78,
D10/96; 73/23.3, 861.52; 128/205.24;
600/538, 529, 532; 222/145.6;

FIG. 1 is a front top right perspective view of a therapeutic gas
delivery device;

FIG. 2 is a front view of a therapeutic gas delivery device;

FIG. 3 is a top view of a therapeutic gas delivery device;

FIG. 4 is a back view of a therapeutic gas delivery device;

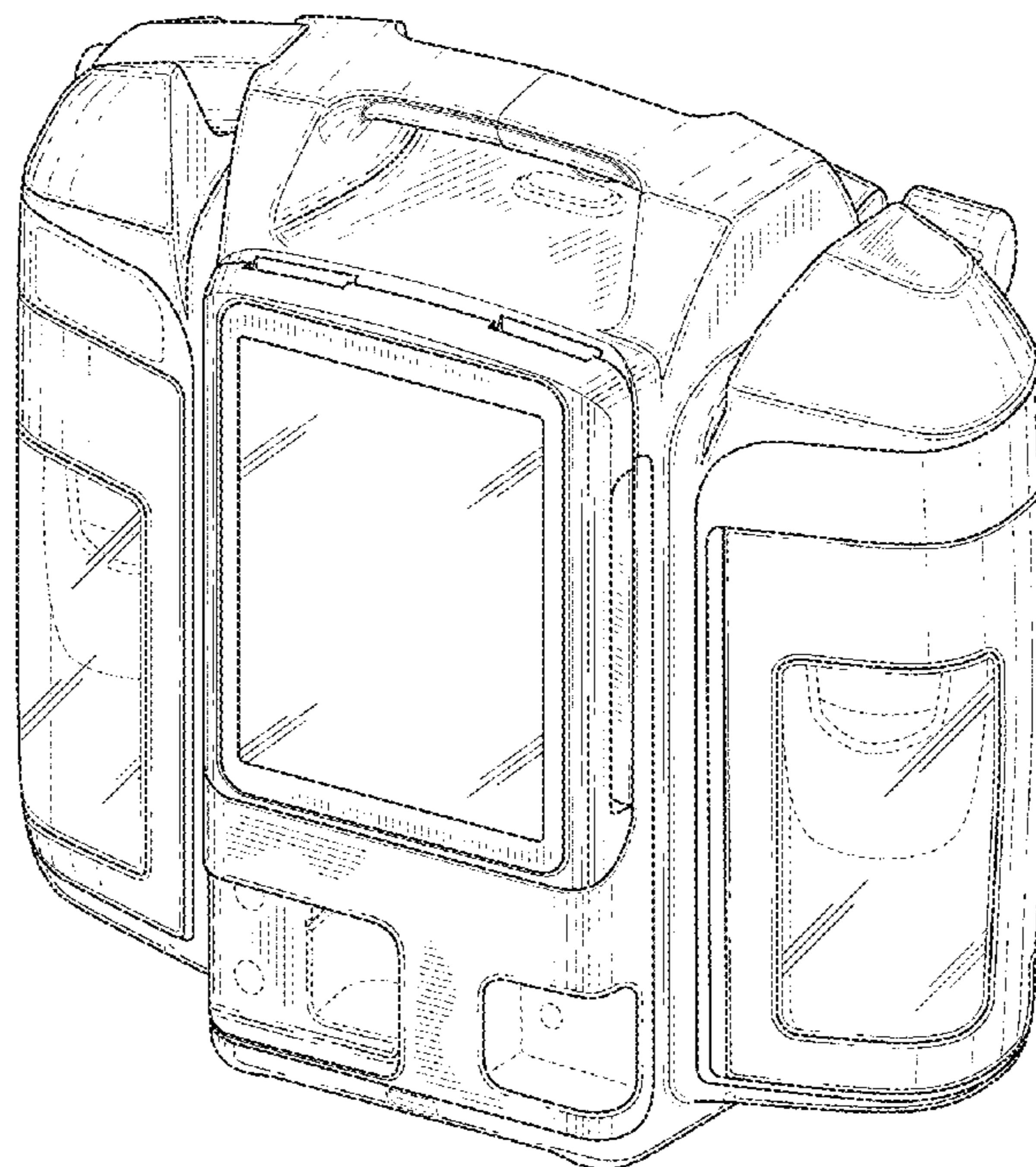
FIG. 5 is a bottom view of a therapeutic gas delivery device;

FIG. 6 is a right view of a therapeutic gas delivery device; and,

FIG. 7 is a left view of a therapeutic gas delivery device.

In the drawings, the broken lines depict environmental sub-
ject matter only and form no part of the claimed design.

1 Claim, 7 Drawing Sheets



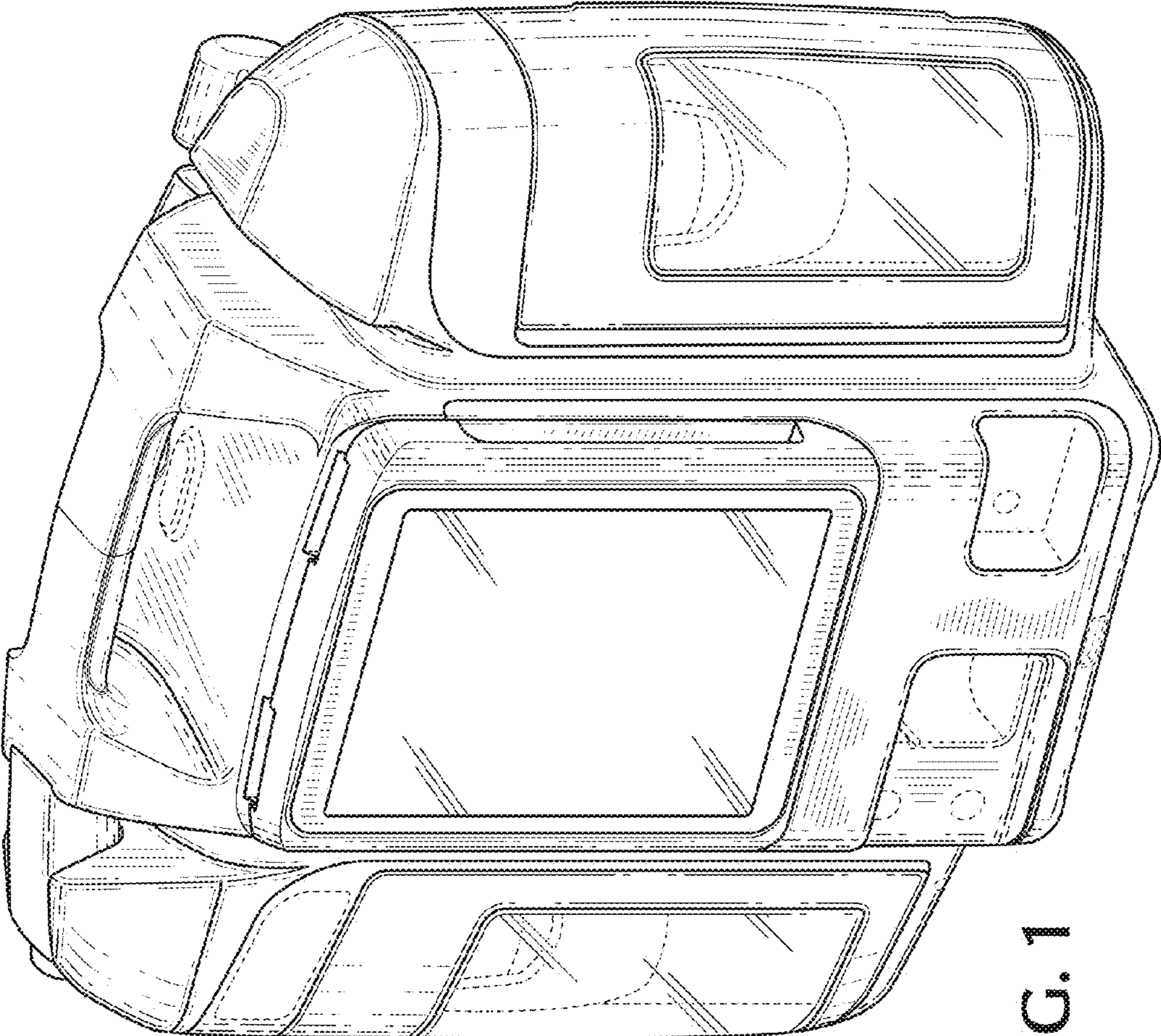
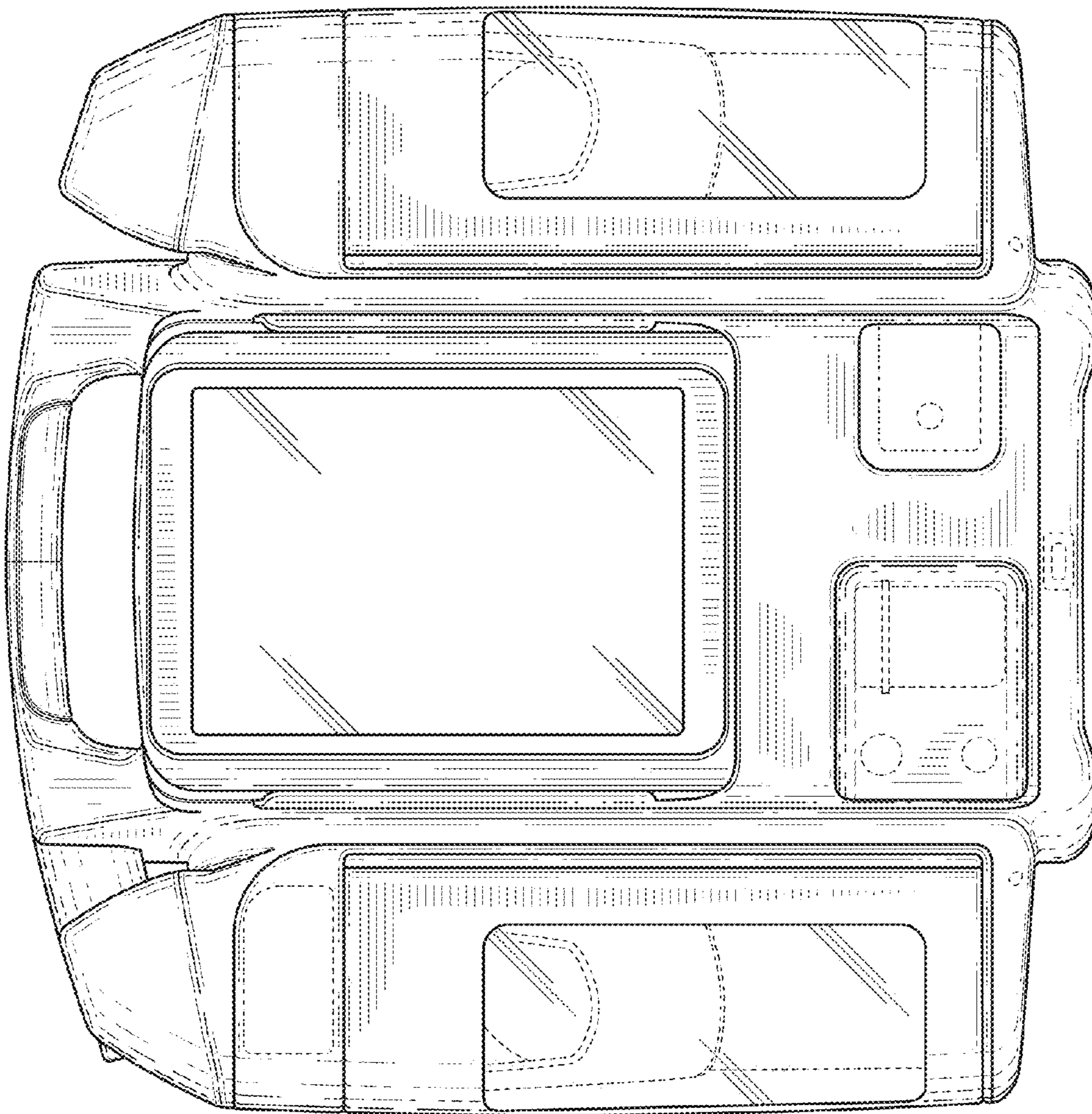


FIG. 1

FIG. 2



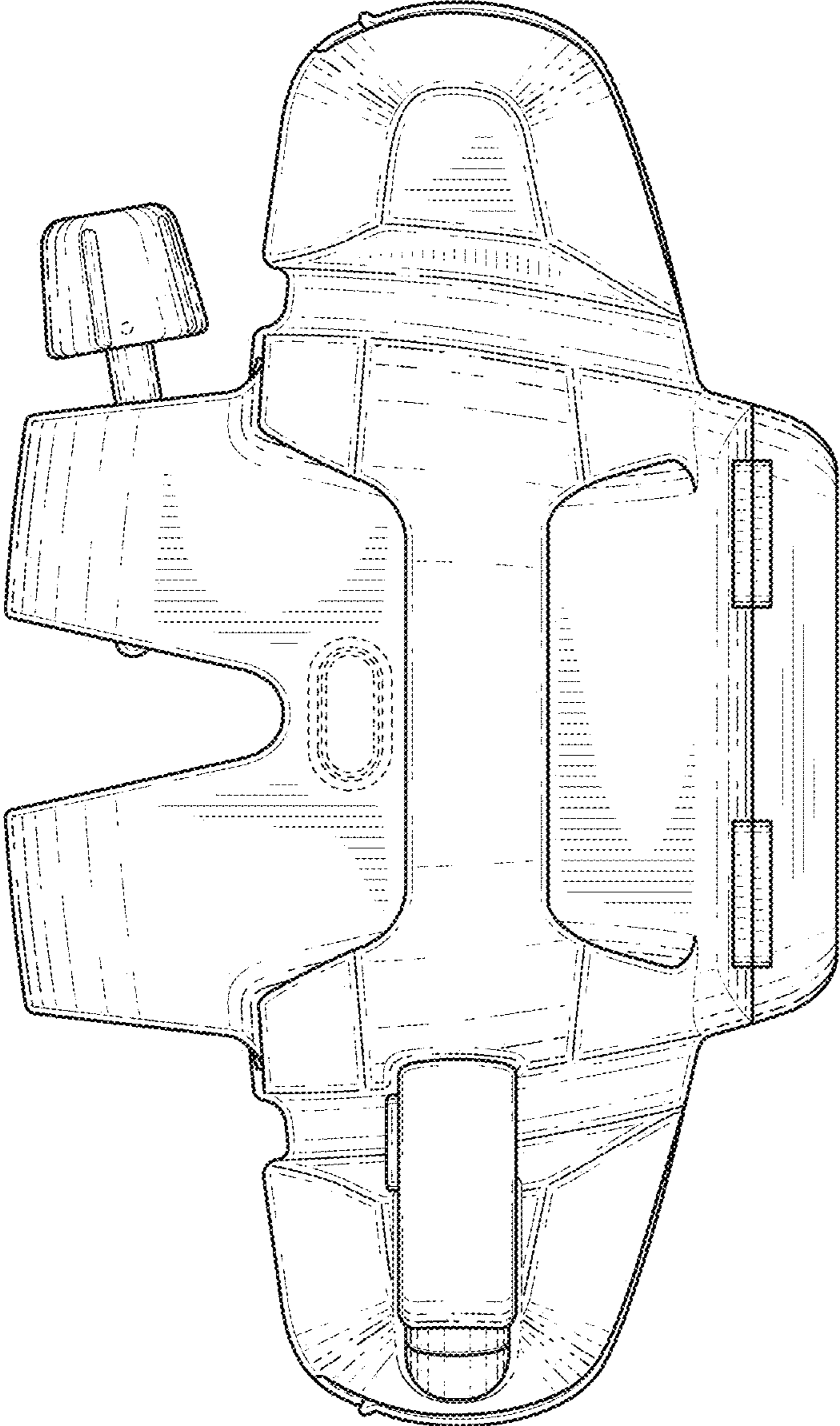
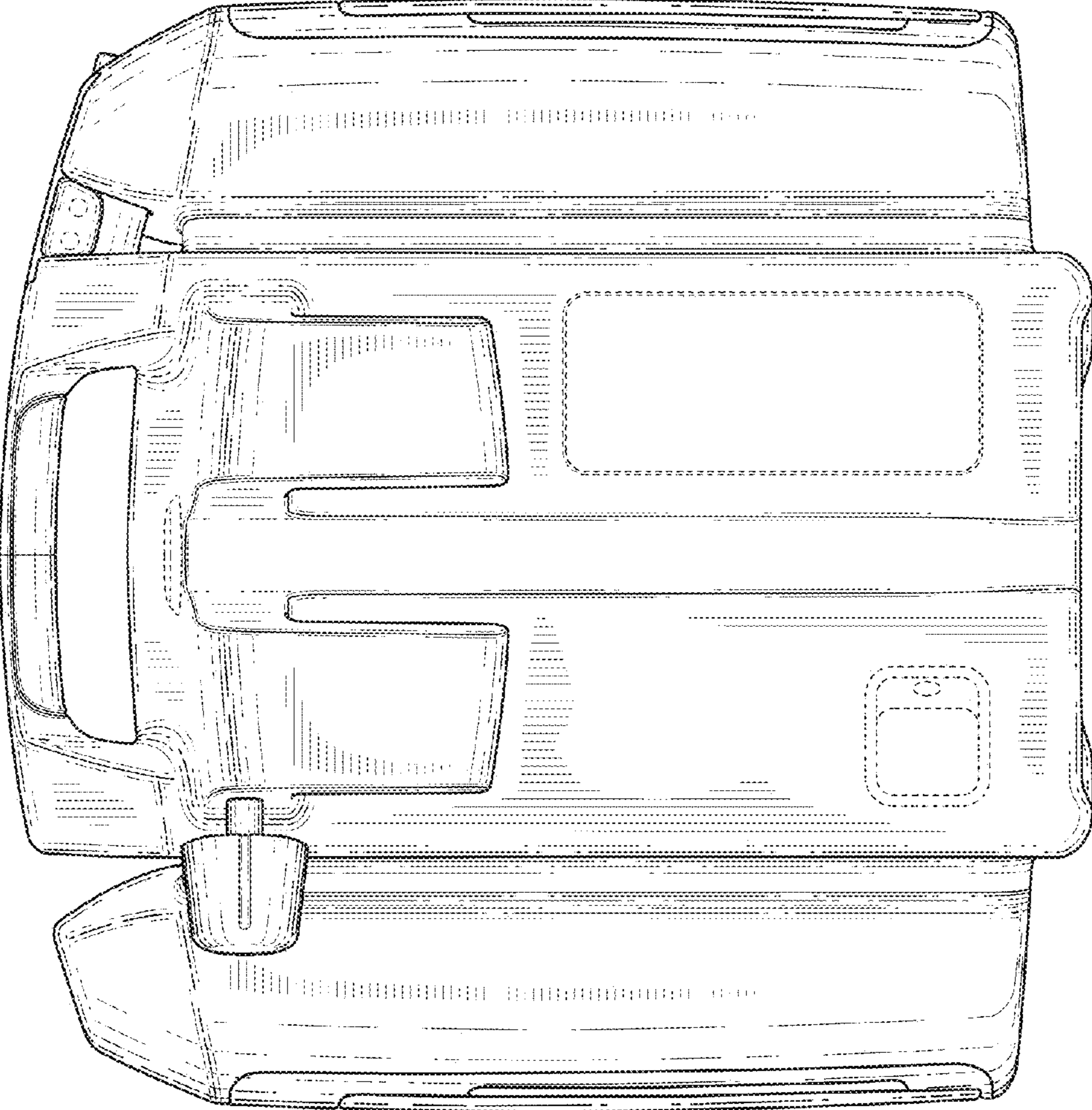


FIG. 3

FIG. 4



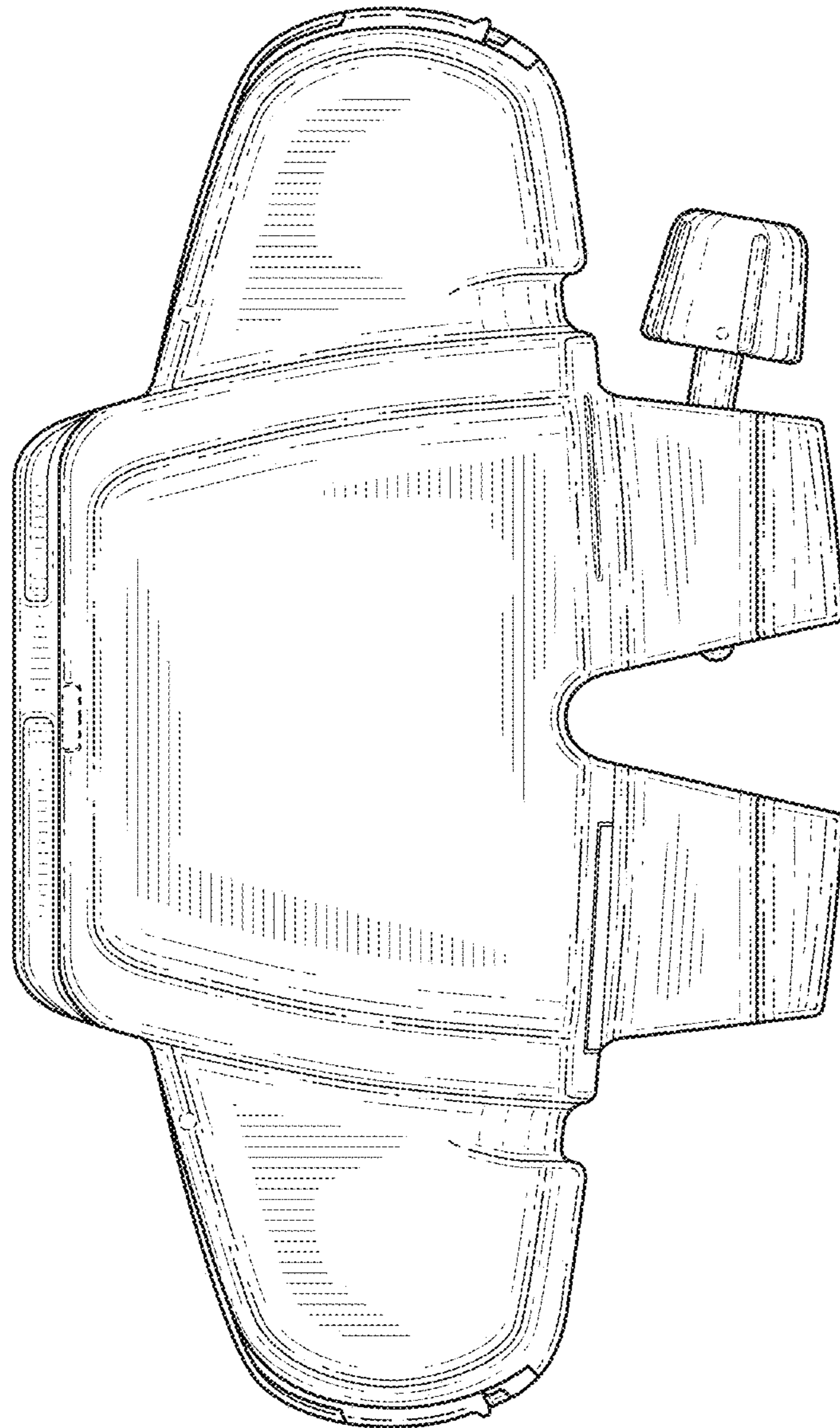


FIG. 5

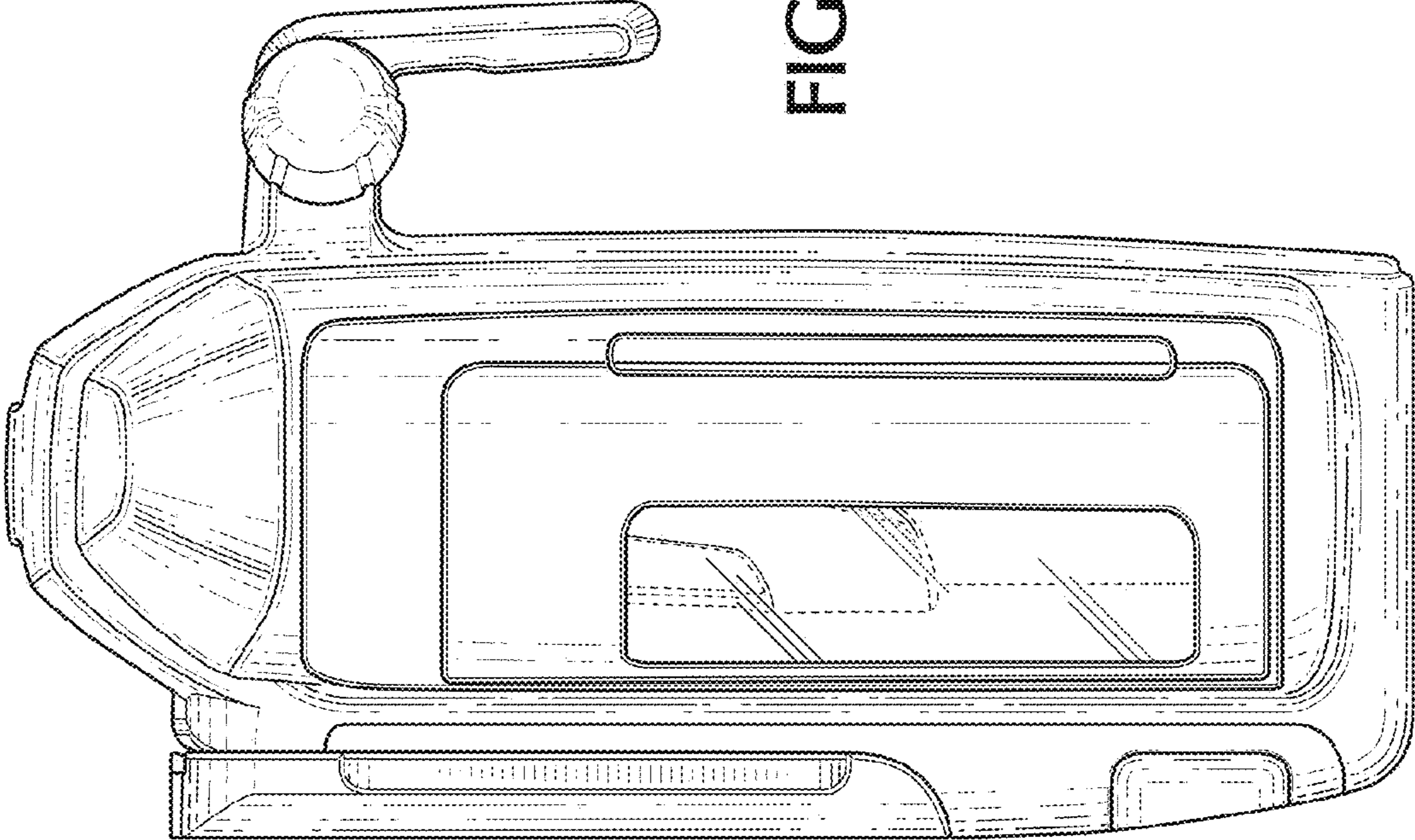


FIG. 6

FIG. 7

