

US00D730522S

(12) **United States Design Patent**
Goldberg

(10) **Patent No.:** **US D730,522 S**

(45) **Date of Patent:** **** May 26, 2015**

(54) **IMPLANT**

(71) Applicant: **Catalyst Orthopaedics LLC**, Naples, FL (US)

(72) Inventor: **Steven S. Goldberg**, Naples, FL (US)

(73) Assignee: **CATALYST ORTHOPAEDICS LLC**, Naples, FL (US)

(**) Term: **14 Years**

(21) Appl. No.: **29/468,456**

(22) Filed: **Sep. 30, 2013**

Related U.S. Application Data

(63) Continuation of application No. 14/042,258, filed on Sep. 30, 2013.

(51) **LOC (10) Cl.** **24-00**

(52) **U.S. Cl.**
USPC **D24/155**

(58) **Field of Classification Search**

USPC D24/171, 155, 147, 33; 606/80, 86 R, 606/87; 623/19.14, 19.13, 908, 23.44, 623/23.46, 23.43, 19.11, 11.11, 23.26, 623/23.27, 20.21

See application file for complete search history.

(56) **References Cited**

U.S. PATENT DOCUMENTS

4,865,605	A *	9/1989	Dines et al.	623/19.14
4,964,865	A *	10/1990	Burkhead et al.	623/19.11
5,030,219	A *	7/1991	Matsen et al.	606/53
5,032,132	A *	7/1991	Matsen et al.	623/19.11
5,489,310	A *	2/1996	Mikhail	623/19.11
5,800,551	A	9/1998	Williamson et al.	
6,406,495	B1 *	6/2002	Schoch	623/19.13

7,204,854	B2 *	4/2007	Guederian et al.	623/19.11
8,048,161	B2 *	11/2011	Guederian et al.	623/19.13
8,425,614	B2 *	4/2013	Winslow et al.	623/19.11
8,465,548	B2	6/2013	Long	
2006/0074430	A1 *	4/2006	Deffenbaugh et al.	606/87
2007/0055380	A1 *	3/2007	Berelsman et al.	623/19.11
2007/0142917	A1 *	6/2007	Roche et al.	623/19.11
2007/0219637	A1 *	9/2007	Berelsman et al.	623/19.11
2007/0225817	A1 *	9/2007	Reubelt et al.	623/19.11
2009/0125113	A1 *	5/2009	Guederian et al.	623/19.11
2010/0161065	A1 *	6/2010	Williams et al.	623/19.11
2011/0035013	A1 *	2/2011	Winslow et al.	623/19.13
2014/0031945	A1 *	1/2014	Baptista et al.	623/19.11

* cited by examiner

Primary Examiner — Ian Simmons

Assistant Examiner — Rhea Shields

(74) *Attorney, Agent, or Firm* — Maywood IP Law; G. Jo Hays; David W. Meibos

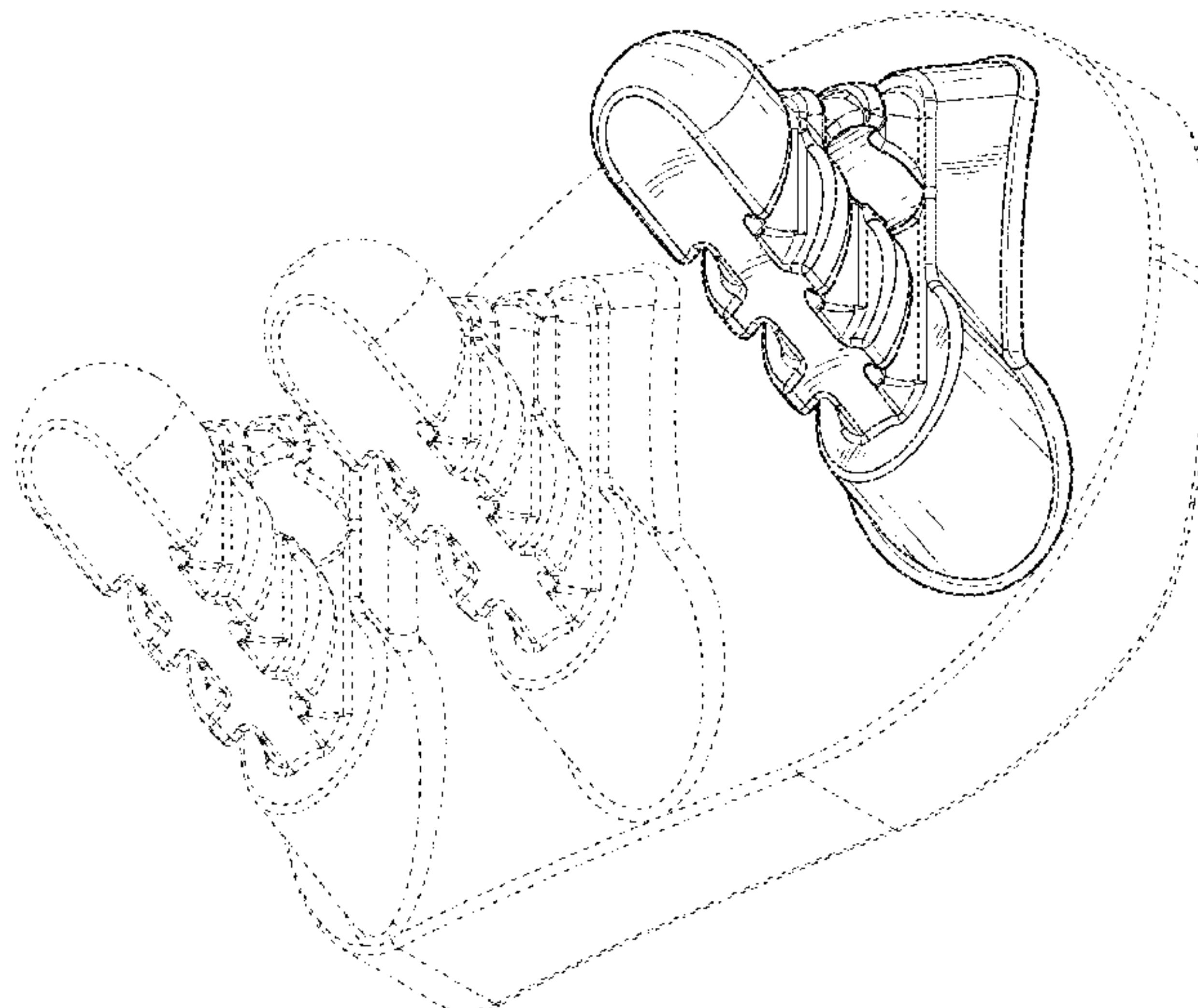
(57) **CLAIM**

The ornamental design for an implant, as shown and described.

DESCRIPTION

FIG. 1 is a back left perspective view of an implant; FIG. 2 is a back right perspective view of the implant; FIG. 3 is a front left perspective view of the implant; FIG. 4 is a front view of the implant, the implant hidden in this view by environmental structure; FIG. 5 is a back view of the implant; FIG. 6 is a left view of the implant; FIG. 7 is a right view of the implant; FIG. 8 is a bottom view of the implant; and, FIG. 9 is a top view of the implant. In the drawings, the broken lines depict environmental subject matter only and form no part of the claimed design.

1 Claim, 8 Drawing Sheets



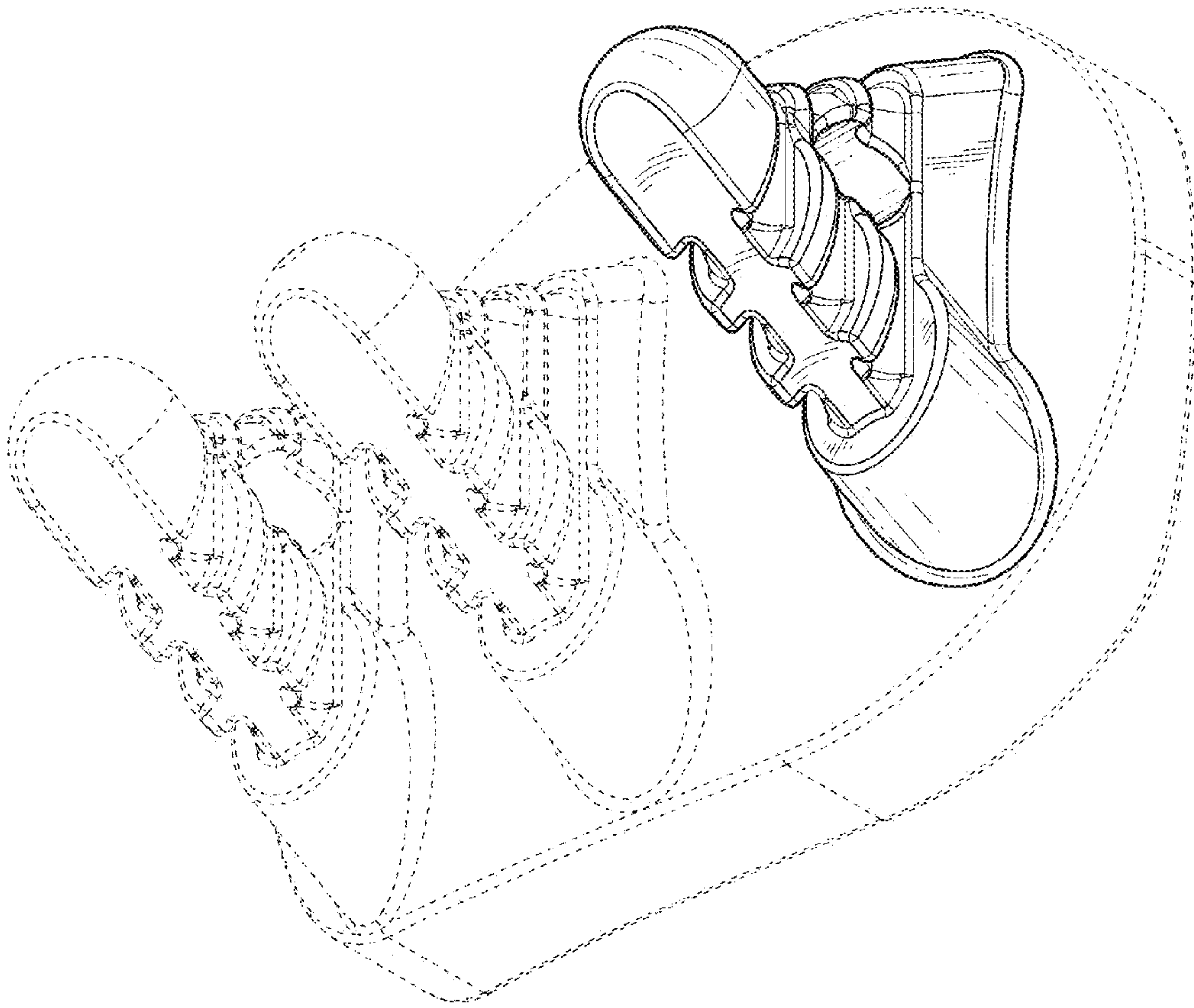


FIG. 1

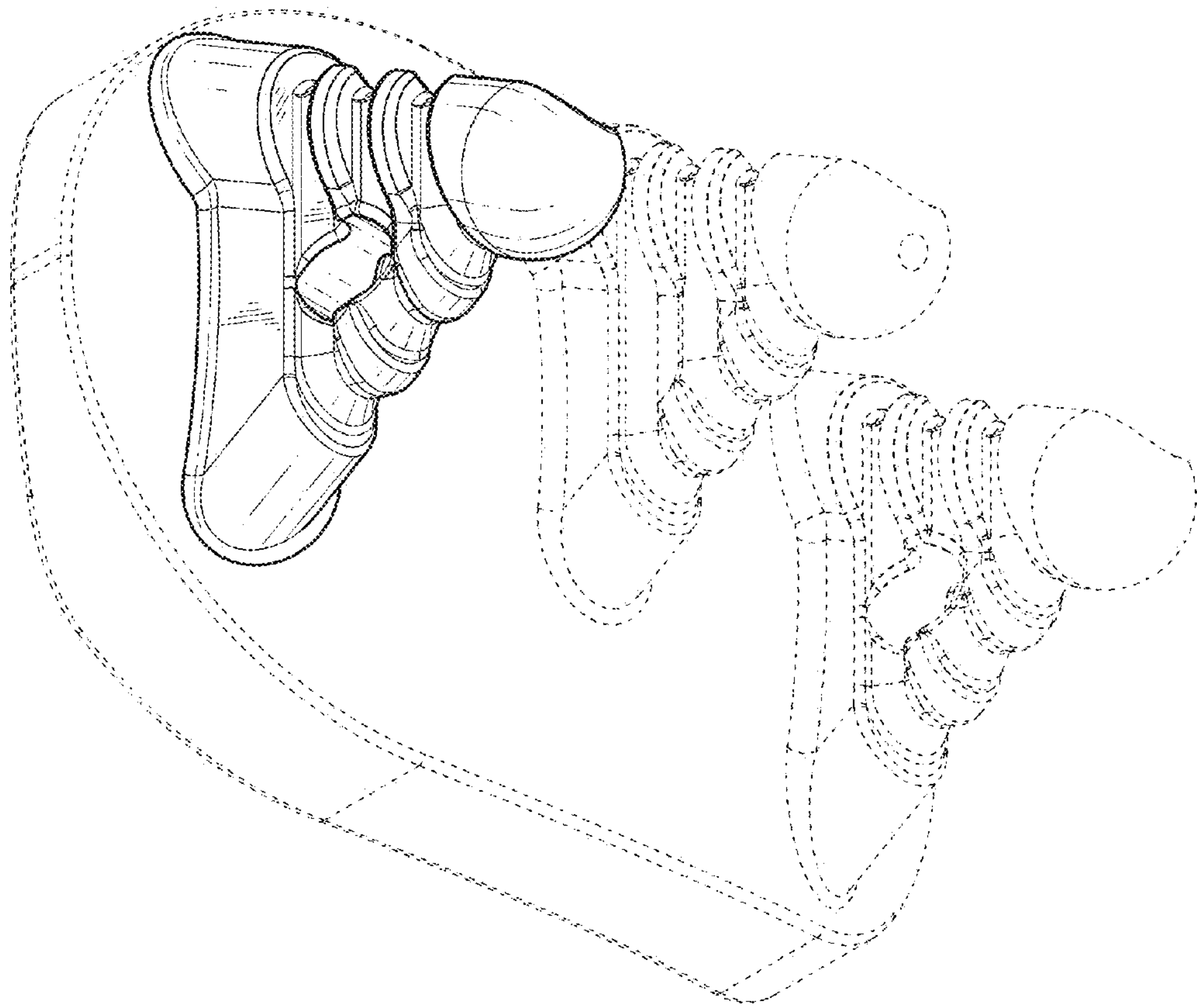


FIG. 2

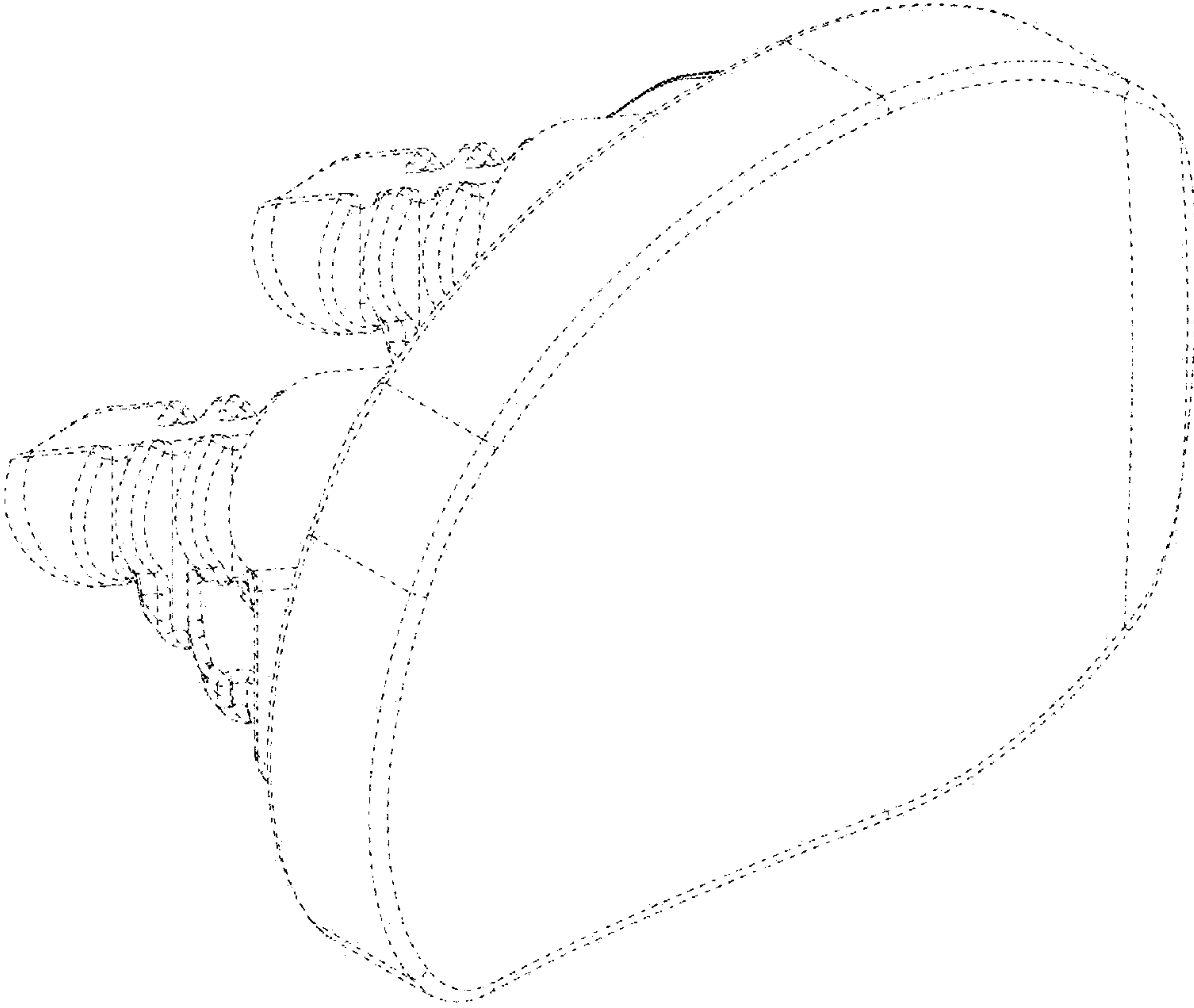


FIG. 3

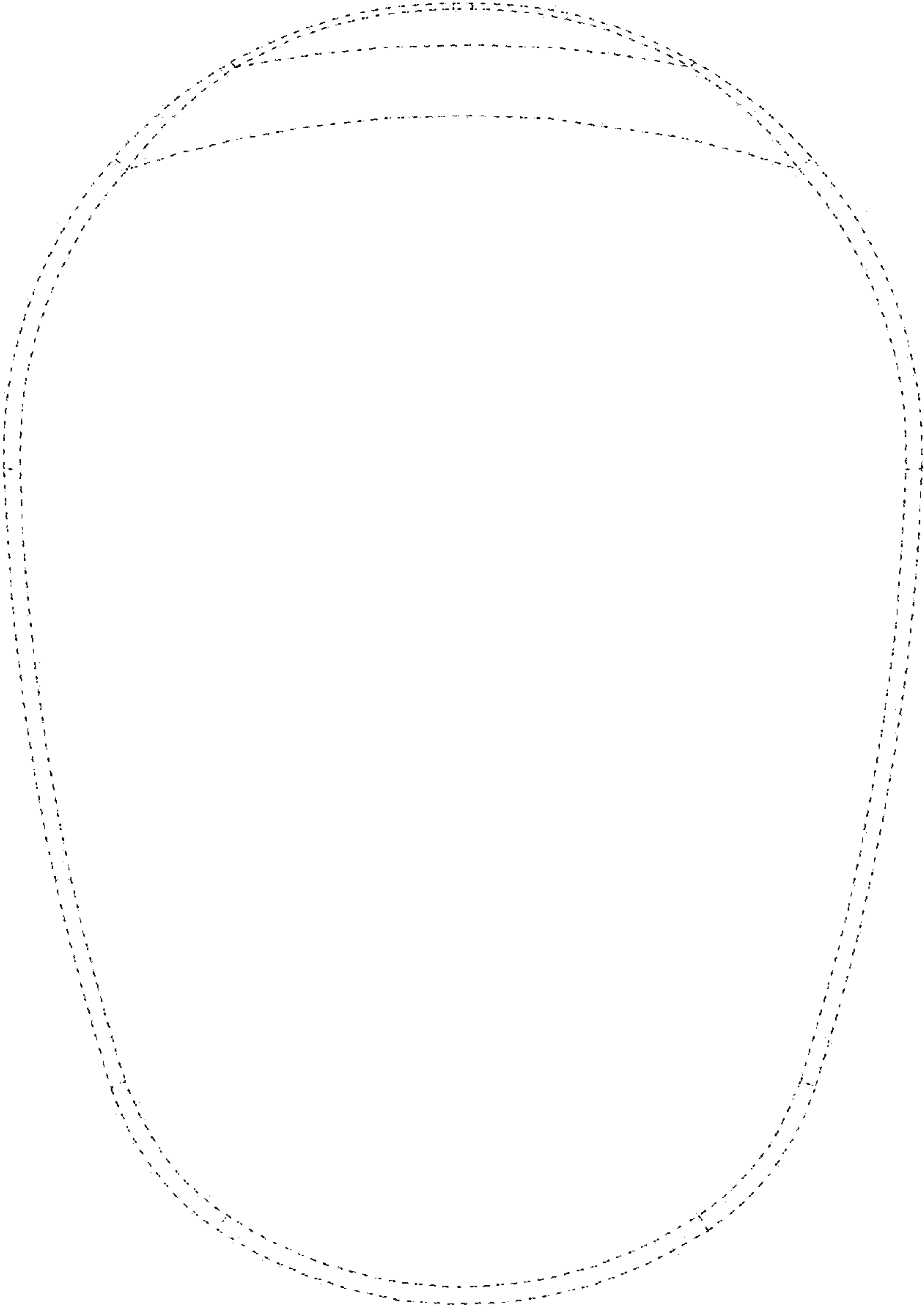


FIG. 4

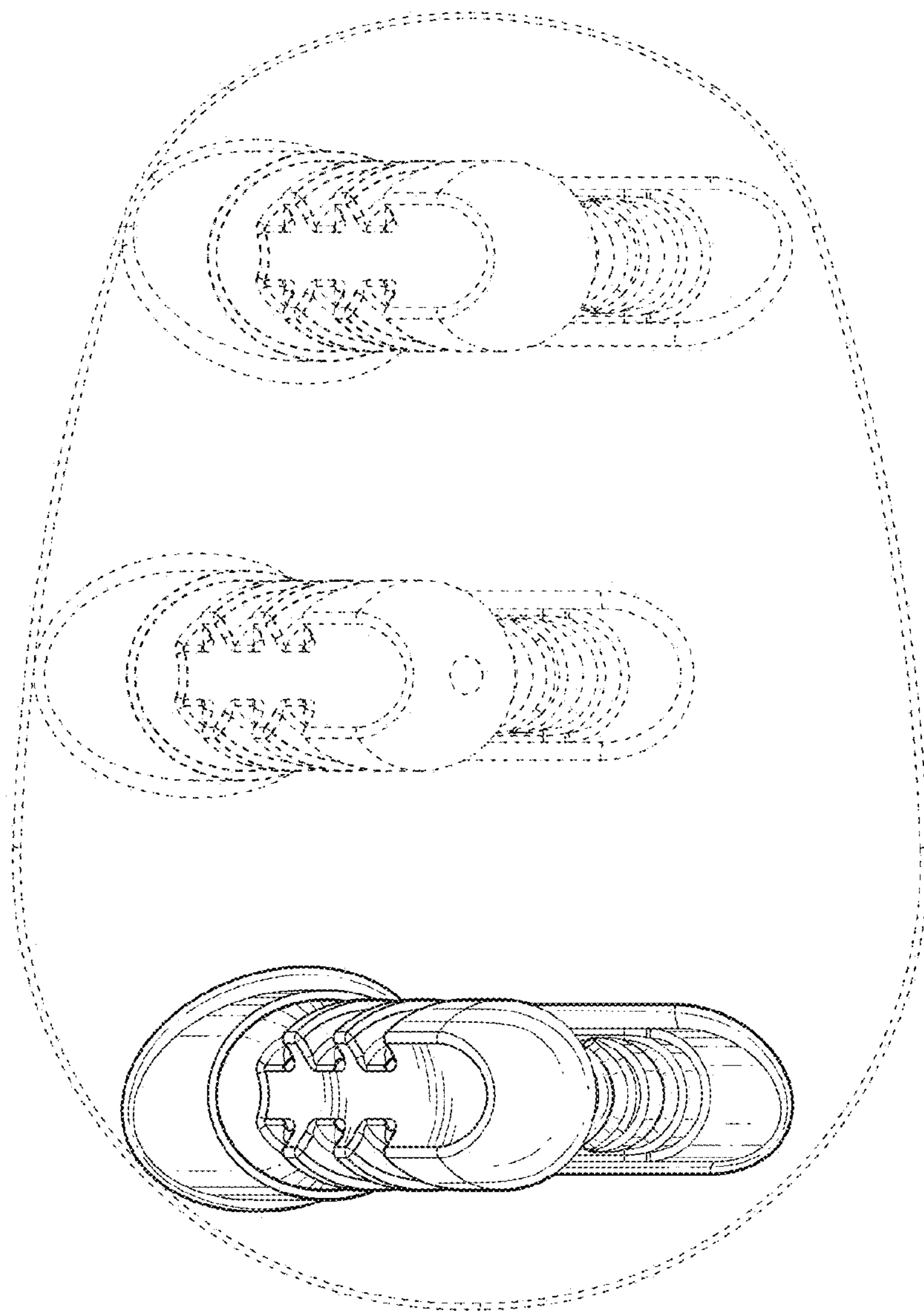


FIG. 5

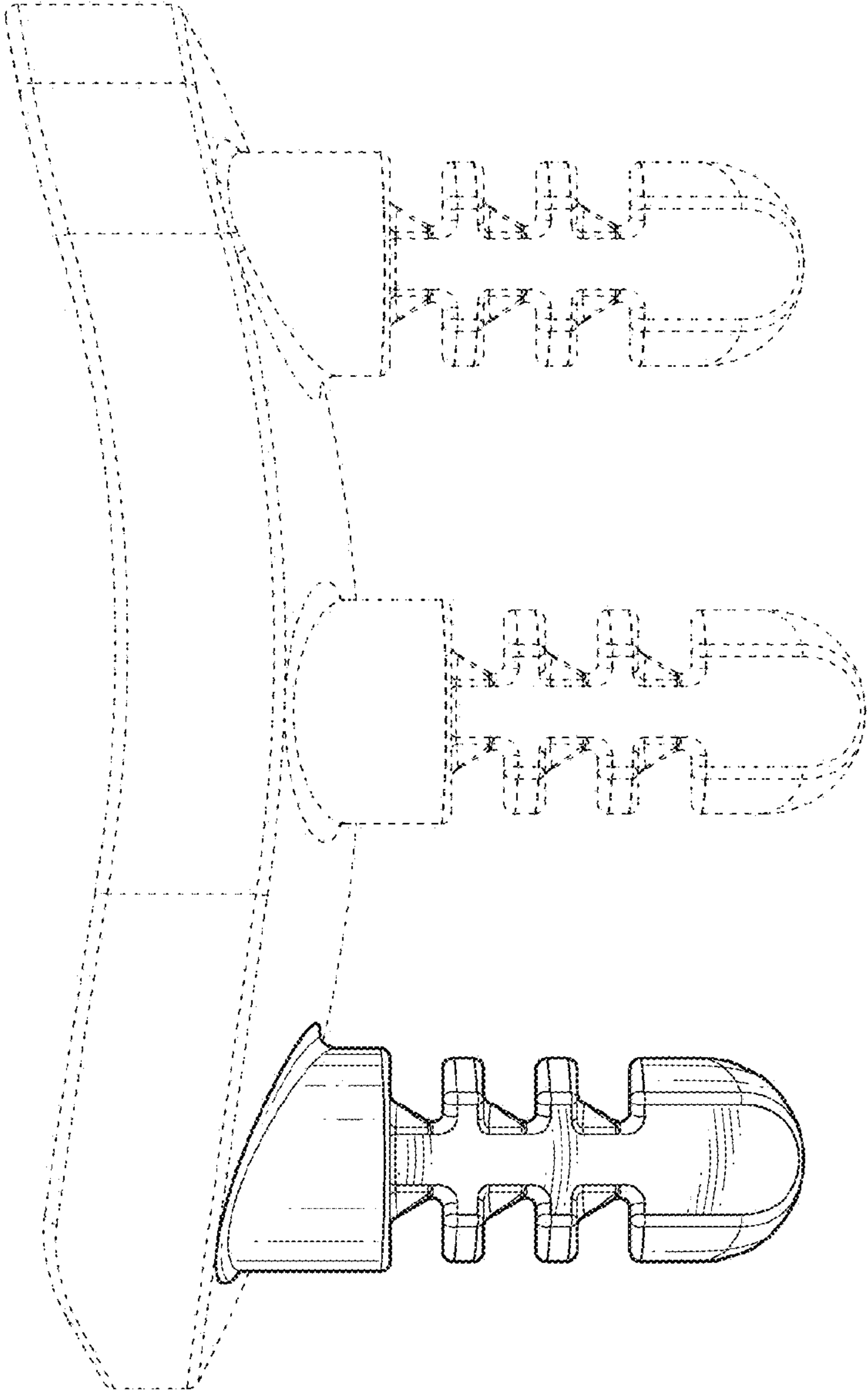


FIG. 6

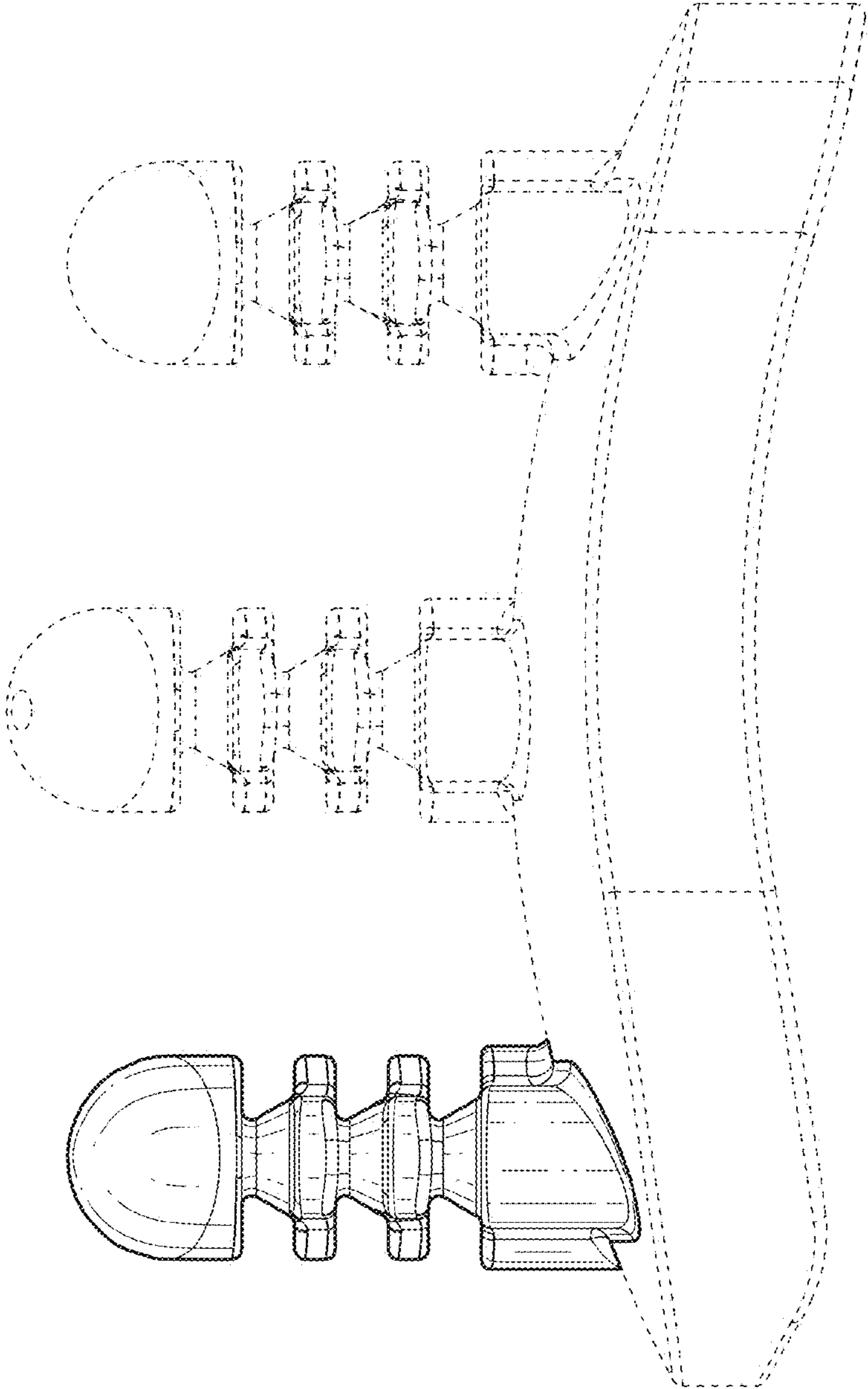


FIG. 7

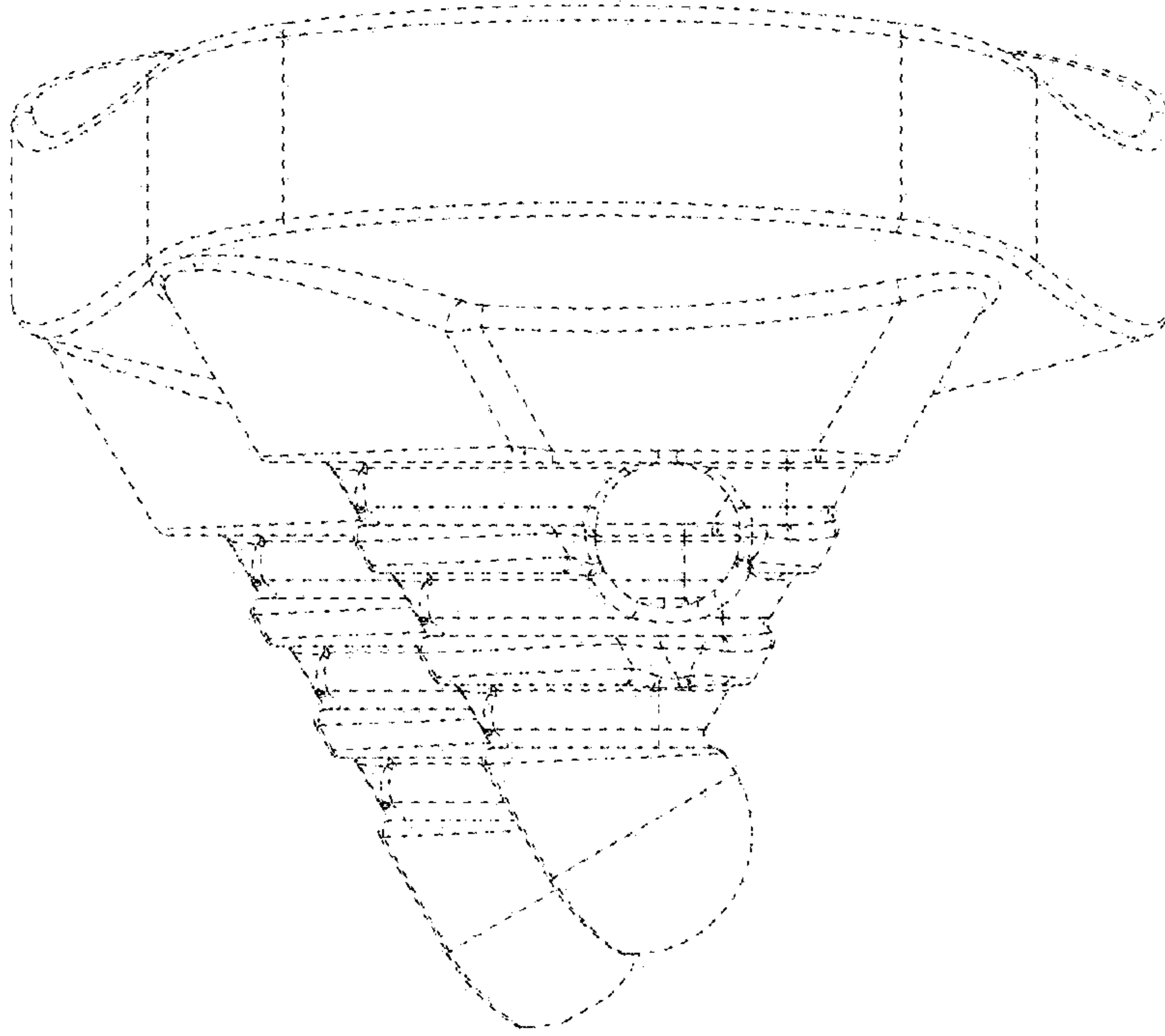


FIG. 9

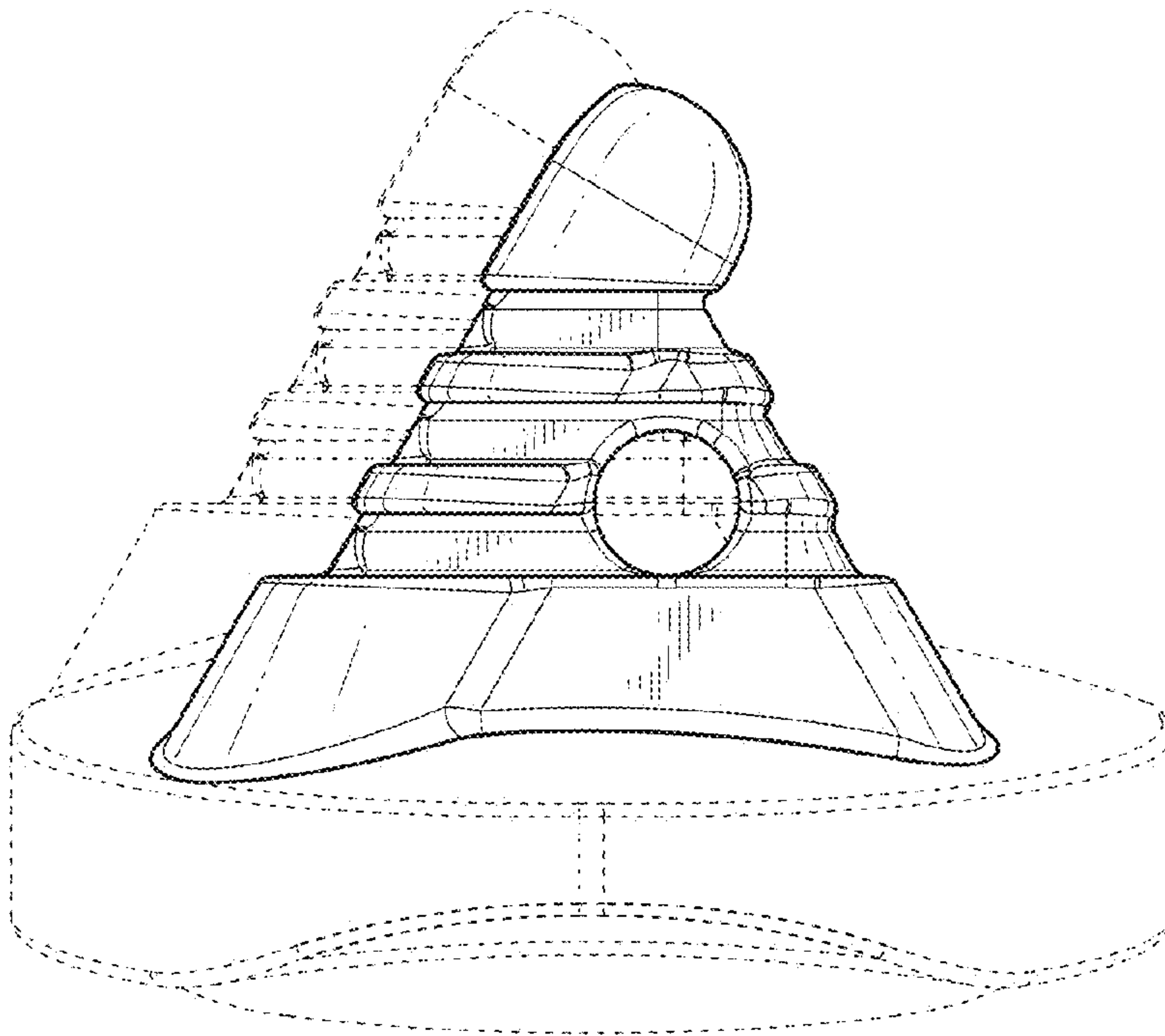


FIG. 8