



US00D730518S

(12) **United States Design Patent**  
**Lombardi, III et al.**

(10) **Patent No.:** **US D730,518 S**  
(45) **Date of Patent:** **\*\* May 26, 2015**

(54) **QUICK CONNECT FLUID CONNECTOR**

(71) Applicant: **Nordson Corporation**, Westlake, OH (US)

(72) Inventors: **Francis J. Lombardi, III**, Erie, CO (US); **Derrick S. Sjodin**, Bloomfield, CO (US)

(73) Assignee: **NORDSON CORPORATION**, Westlake, OH (US)

(\*\*) Term: **14 Years**

(21) Appl. No.: **29/466,839**

(22) Filed: **Sep. 12, 2013**

(51) **LOC (10) Cl.** ..... **24-02**

(52) **U.S. Cl.**  
USPC ..... **D24/129**

(58) **Field of Classification Search**  
USPC ..... D24/127-131, 112-114, 133, 186;  
606/181, 185; 604/264, 272, 115, 232,  
604/187, 158, 164.08, 192, 263, 163, 181,  
604/184, 198, 227; 600/101, 139, 143;  
128/200.24, 207.14, 207.15  
See application file for complete search history.

(56) **References Cited**

**U.S. PATENT DOCUMENTS**

D547,447 S \* 7/2007 Bruce et al. .... D24/130  
D630,320 S \* 1/2011 Lombardi et al. .... D24/129  
D631,960 S \* 2/2011 Myers ..... D24/133

D634,840 S \* 3/2011 Lombardi et al. .... D24/129  
8,020,551 B2 \* 9/2011 Virr et al. .... 128/200.24  
D649,240 S \* 11/2011 Lewis et al. .... D24/129  
D650,478 S \* 12/2011 Lewis ..... D24/129  
D652,510 S \* 1/2012 Lombardi et al. .... D24/129  
8,235,426 B2 \* 8/2012 Pisula et al. .... 285/308  
D678,512 S \* 3/2013 Bow ..... D24/112  
D699,840 S \* 2/2014 Lombardi et al. .... D24/129  
2007/0169825 A1 \* 7/2007 Packham et al. .... 137/614.05  
2008/0110455 A1 \* 5/2008 Dunsmore et al. .... 128/200.24

\* cited by examiner

*Primary Examiner* — David Muller

*Assistant Examiner* — Nathan Johnston

(74) *Attorney, Agent, or Firm* — Wood, Herron & Evans, L.L.P.

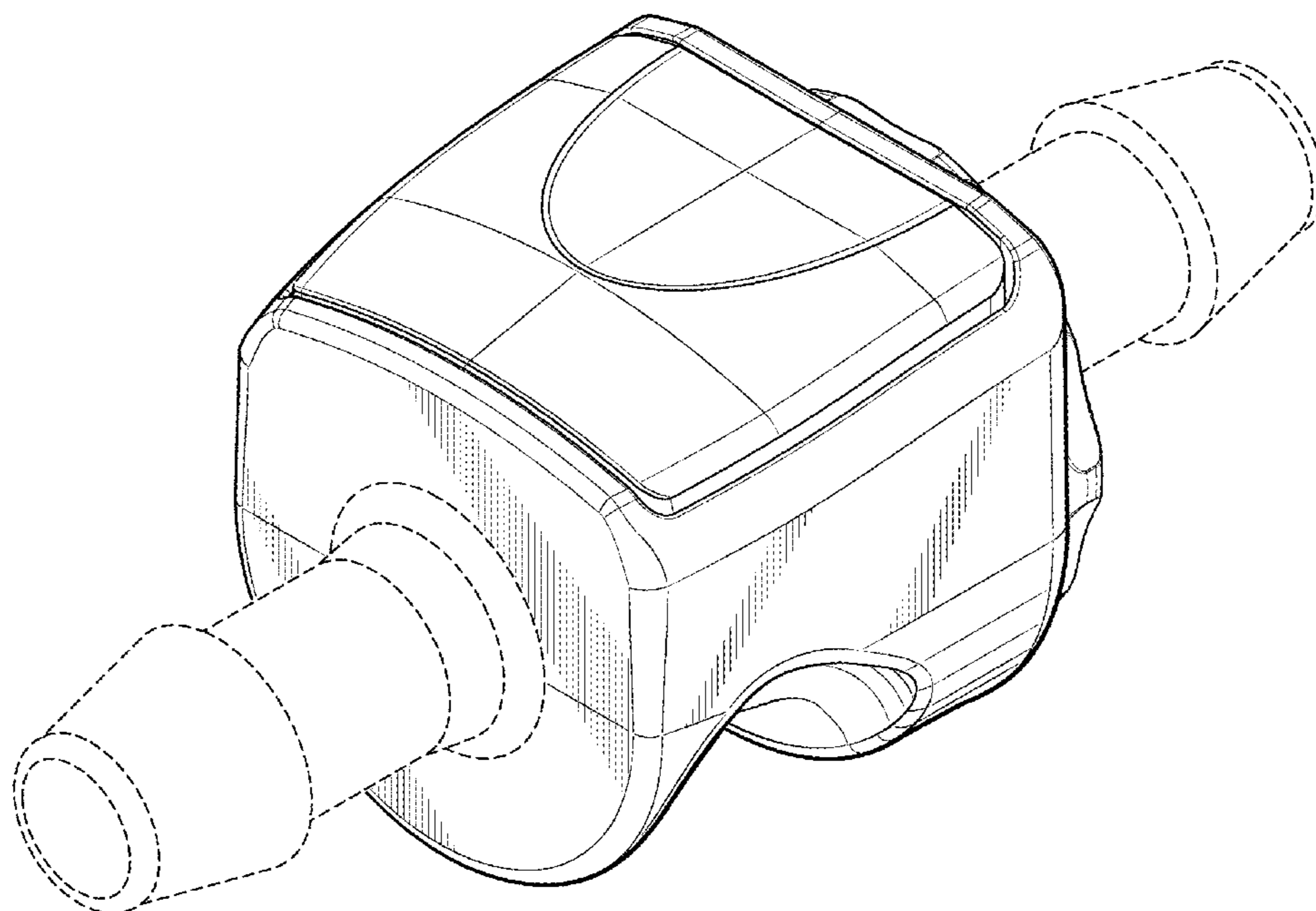
(57) **CLAIM**

The ornamental design for a quick connect fluid connector, therefor as shown and described.

**DESCRIPTION**

FIG. 1 is an isometric view of the quick connect fluid connector of the present invention.  
FIG. 2 is a front elevation view thereof;  
FIG. 3 is a right side elevation view thereof with the left side view being a mirror image;  
FIG. 4 is a rear elevation view thereof;  
FIG. 5 is a top plan view thereof; and,  
FIG. 6 is a bottom plan view thereof.  
The broken lines in the figures are shown for the purpose of illustrating boundaries of the claimed design and the areas inside the broken line boundaries form no part of the claimed design.

**1 Claim, 5 Drawing Sheets**



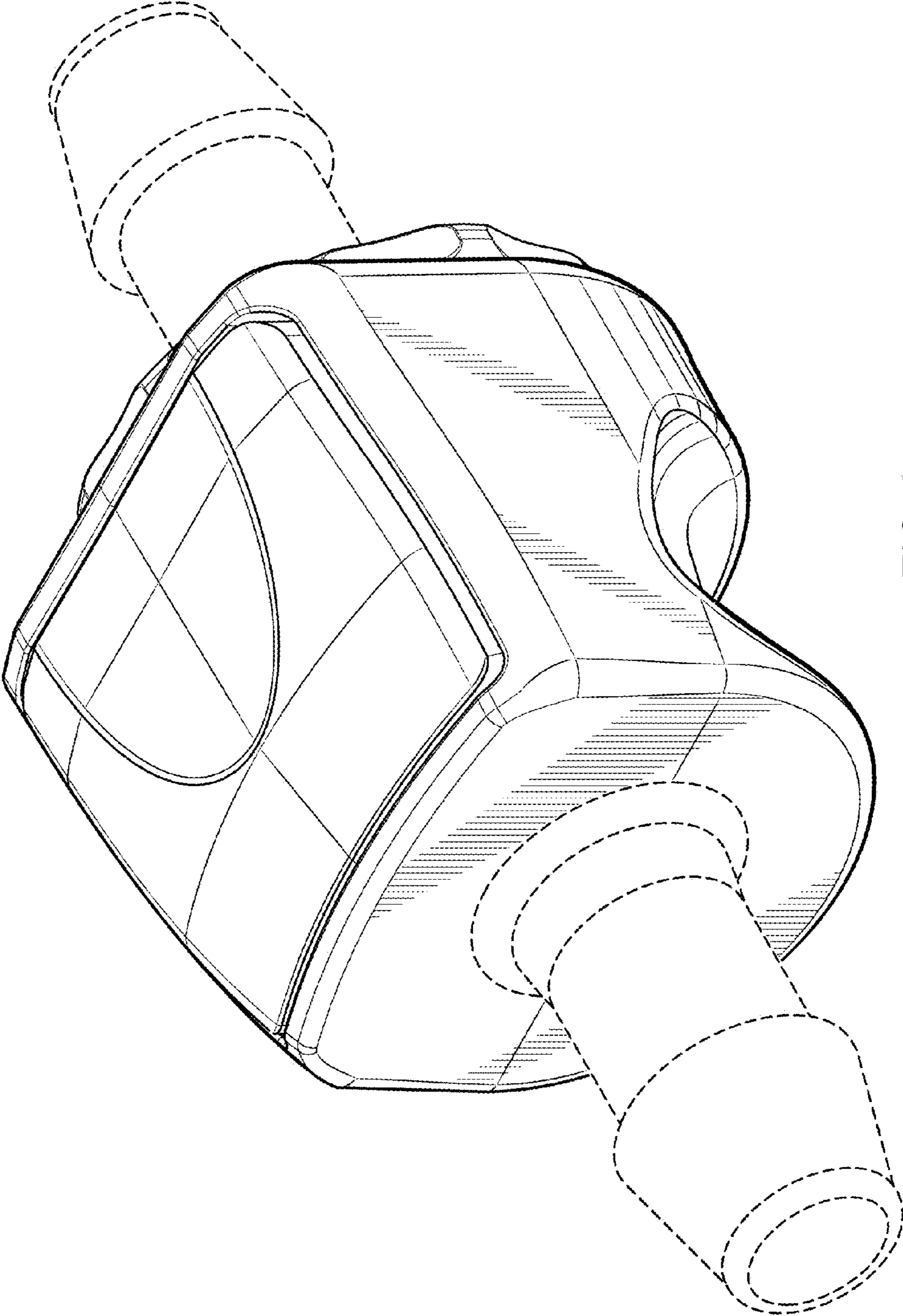


FIG. 1

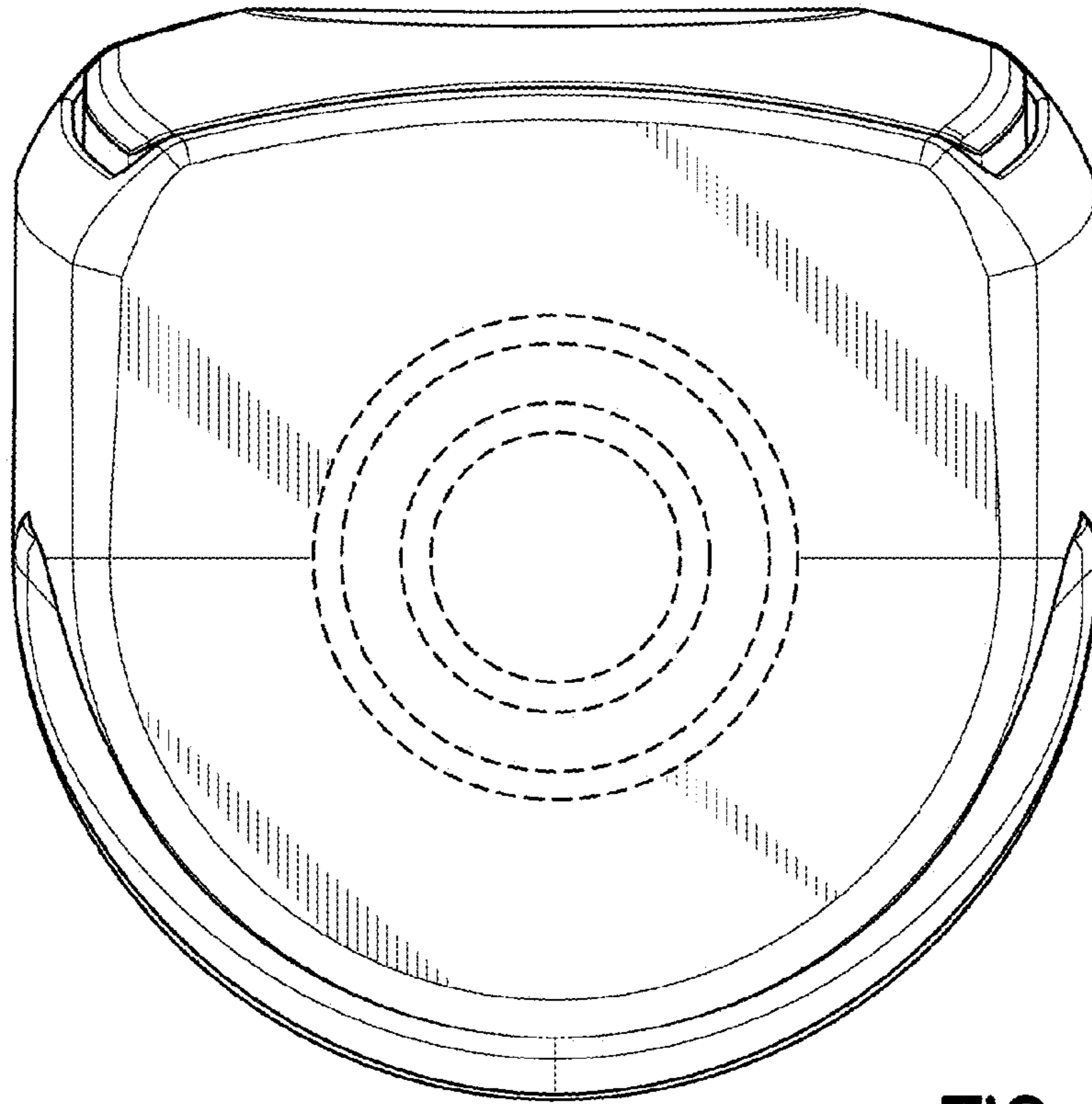


FIG. 2

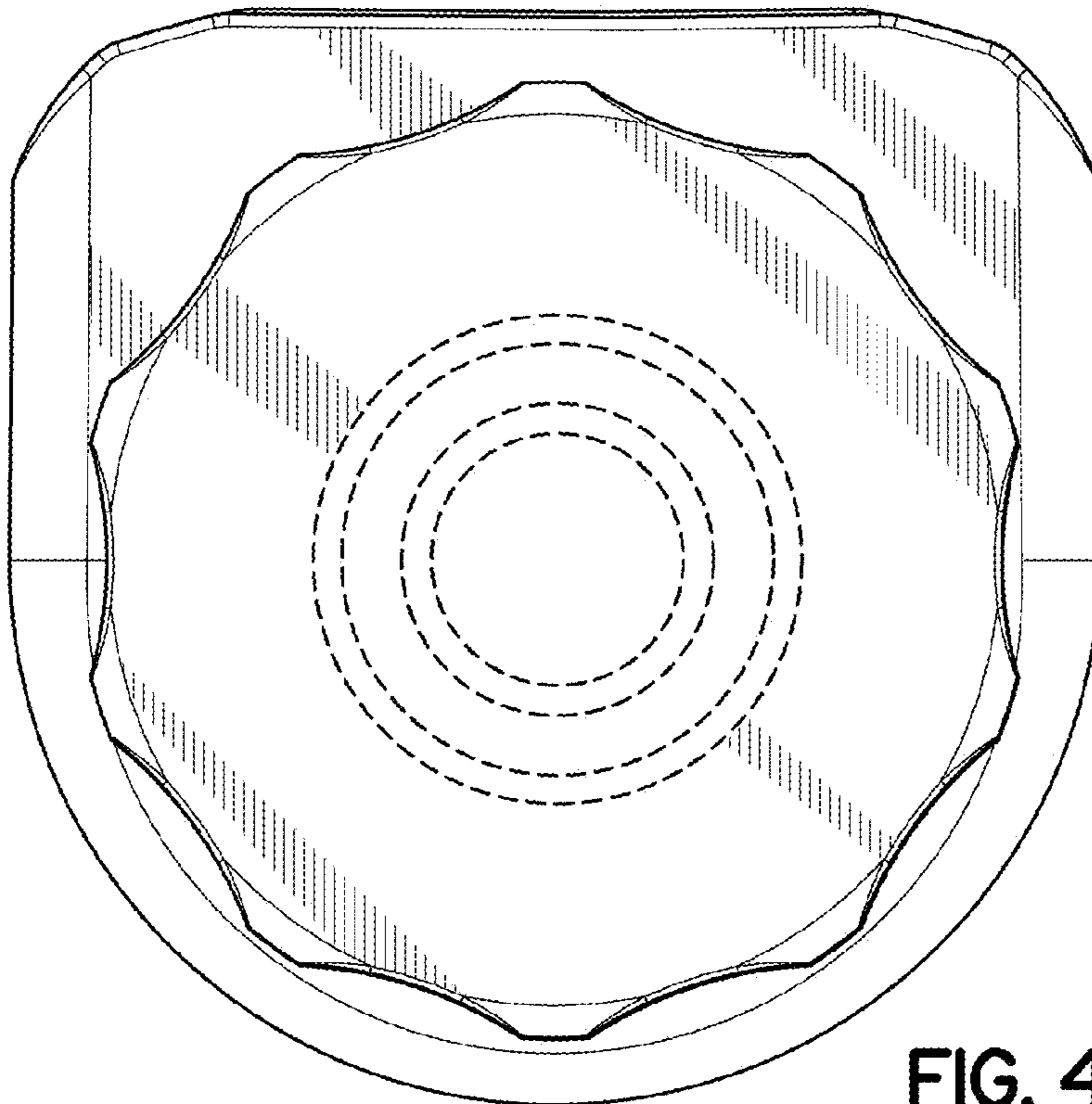


FIG. 4

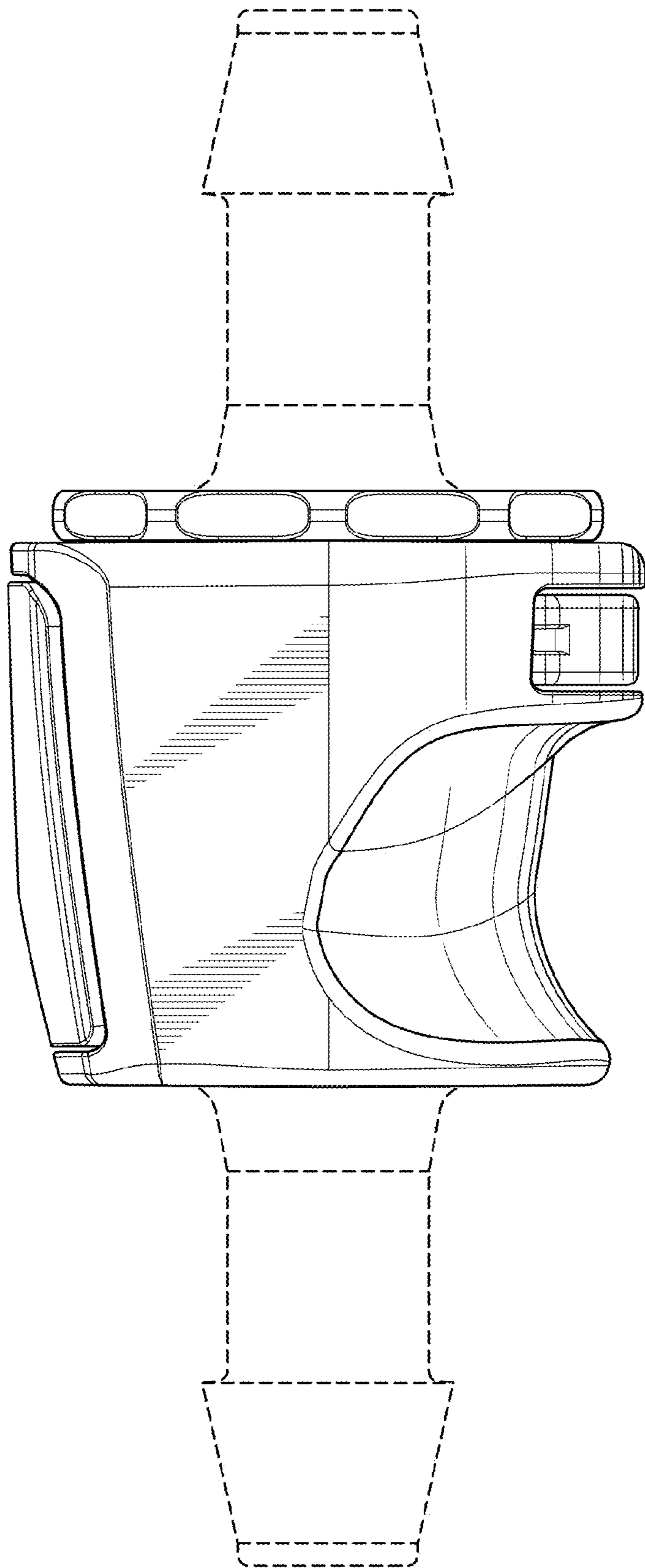


FIG. 3

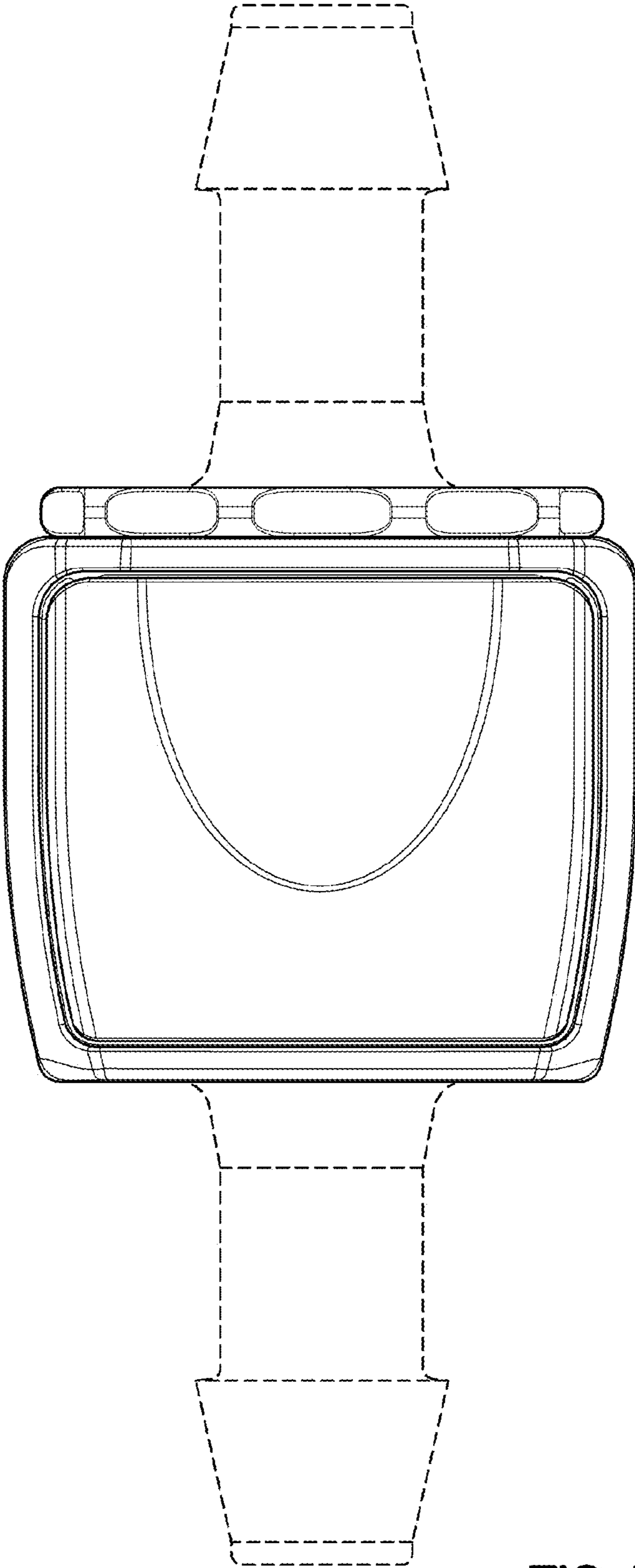


FIG. 5

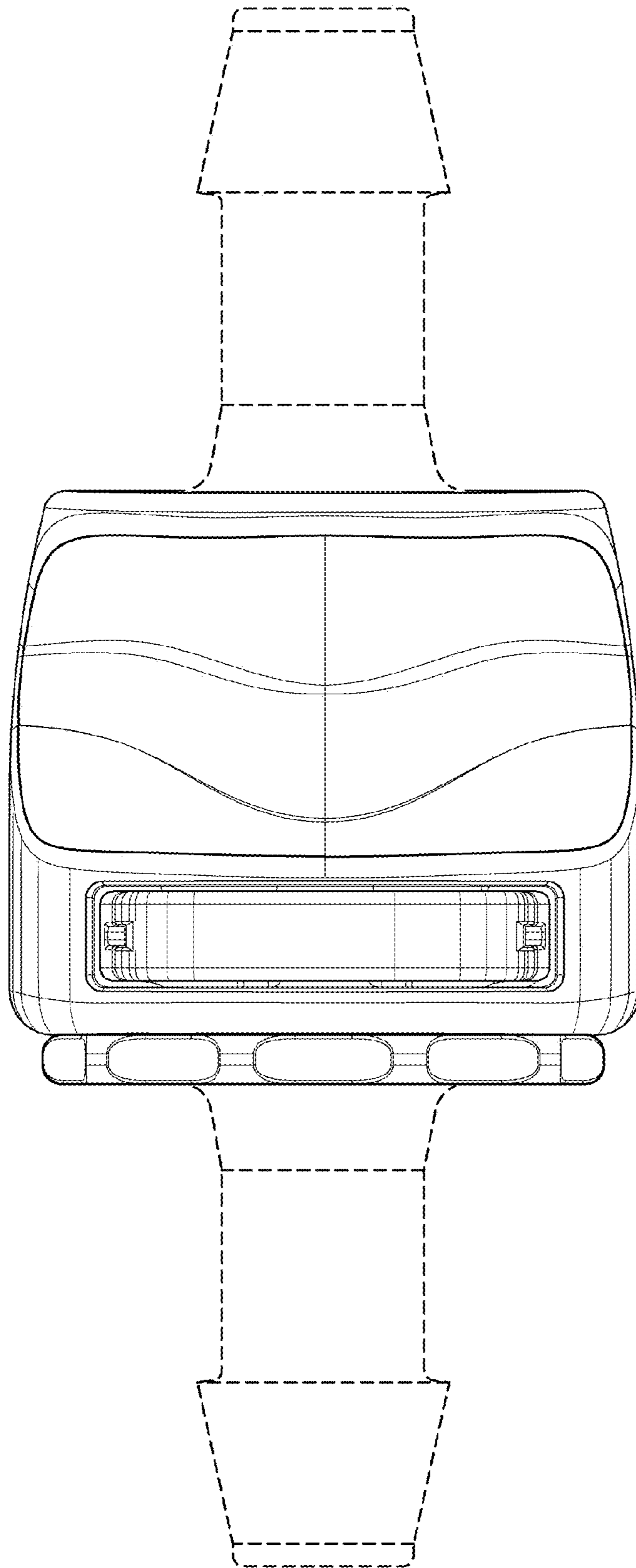


FIG. 6

UNITED STATES PATENT AND TRADEMARK OFFICE  
**CERTIFICATE OF CORRECTION**

PATENT NO. : D730,518 S  
APPLICATION NO. : 29/466839  
DATED : May 26, 2015  
INVENTOR(S) : Francis J. Lombardi, III et al.

Page 1 of 1

It is certified that error appears in the above-identified patent and that said Letters Patent is hereby corrected as shown below:

**Title Page**

Item (57) under claim, line 2, delete “therefor”.

Signed and Sealed this  
Thirteenth Day of October, 2015



Michelle K. Lee  
*Director of the United States Patent and Trademark Office*