

US00D730515S

(12) **United States Design Patent**
Shahidi Bonjar

(10) **Patent No.:** **US D730,515 S**

(45) **Date of Patent:** **** May 26, 2015**

(54) **SELF CONDENSING DENTAL AMALGAM CARRIER WITH SINGLE STEP LOADING PERFORMANCE**

(71) Applicant: **Amir Hashem Shahidi Bonjar**, Tehran (IR)

(72) Inventor: **Amir Hashem Shahidi Bonjar**, Tehran (IR)

(73) Assignees: **Amir Hashem Shahidi Bonjar**, Tehran (IR); **Dentofacial Deformities Research Center of Shahid Beheshti University of Medical Sciences**, Tehran (IR)

(**) Term: **14 Years**

(21) Appl. No.: **29/445,828**

(22) Filed: **Feb. 17, 2013**

(51) **LOC (10) Cl.** **24-02**

(52) **U.S. Cl.**
USPC **D24/114**

(58) **Field of Classification Search**

USPC D24/112-114, 133, 186, 104, 130, 127, D24/152; 606/181, 185; 604/264, 272, 115, 604/232, 187, 158, 164.08, 192, 263, 163, 604/181, 184, 198, 227, 218; 433/80, 89, 433/90

See application file for complete search history.

(56) **References Cited**

U.S. PATENT DOCUMENTS

4,492,576	A *	1/1985	Dragan	433/90
D315,407	S *	3/1991	Bradrick et al.	D24/130
D320,276	S *	9/1991	Baum	D24/113
D377,830	S *	2/1997	Lai	D24/114
D378,406	S *	3/1997	Kugler	D24/114
D419,236	S *	1/2000	Carlson et al.	D24/114
6,095,814	A *	8/2000	Petrich et al.	433/90
6,682,348	B2 *	1/2004	Lawter et al.	433/90
6,808,511	B2 *	10/2004	Pond	604/192
D556,320	S *	11/2007	Boclet	D24/114
D641,078	S *	7/2011	Morgan et al.	D24/114
8,496,630	B2 *	7/2013	Saito et al.	604/264

2002/0119417 A1* 8/2002 Ashman 433/90

* cited by examiner

Primary Examiner — David Muller

(74) *Attorney, Agent, or Firm* — Barry Chobin; Patent 360

(57) **CLAIM**

The ornamental design for an self condensing dental amalgam carrier with single step loading performance, substantially as shown and described.

DESCRIPTION

FIG. 1 is a top, left-side perspective view of the self condensing dental amalgam carrier with single step loading performance.

FIG. 2 is a bottom, left-side perspective view thereof;

FIG. 3 is a front elevation view thereof;

FIG. 4 is a rear thereof;

FIG. 5 is a left side elevation view thereof;

FIG. 6 is a right side elevation view thereof;

FIG. 7 is a bottom plan view thereof;

FIG. 8 is a top plan view thereof;

FIG. 9 is a cross-section thereof along the plane of lines 9-9 of FIG. 5.

FIG. 10 is a cross-section thereof along the plane of lines 10-10 of FIG. 5. For clarity of illustration, so that the details of the design will be easier to see, a portion of the design is enlarged.

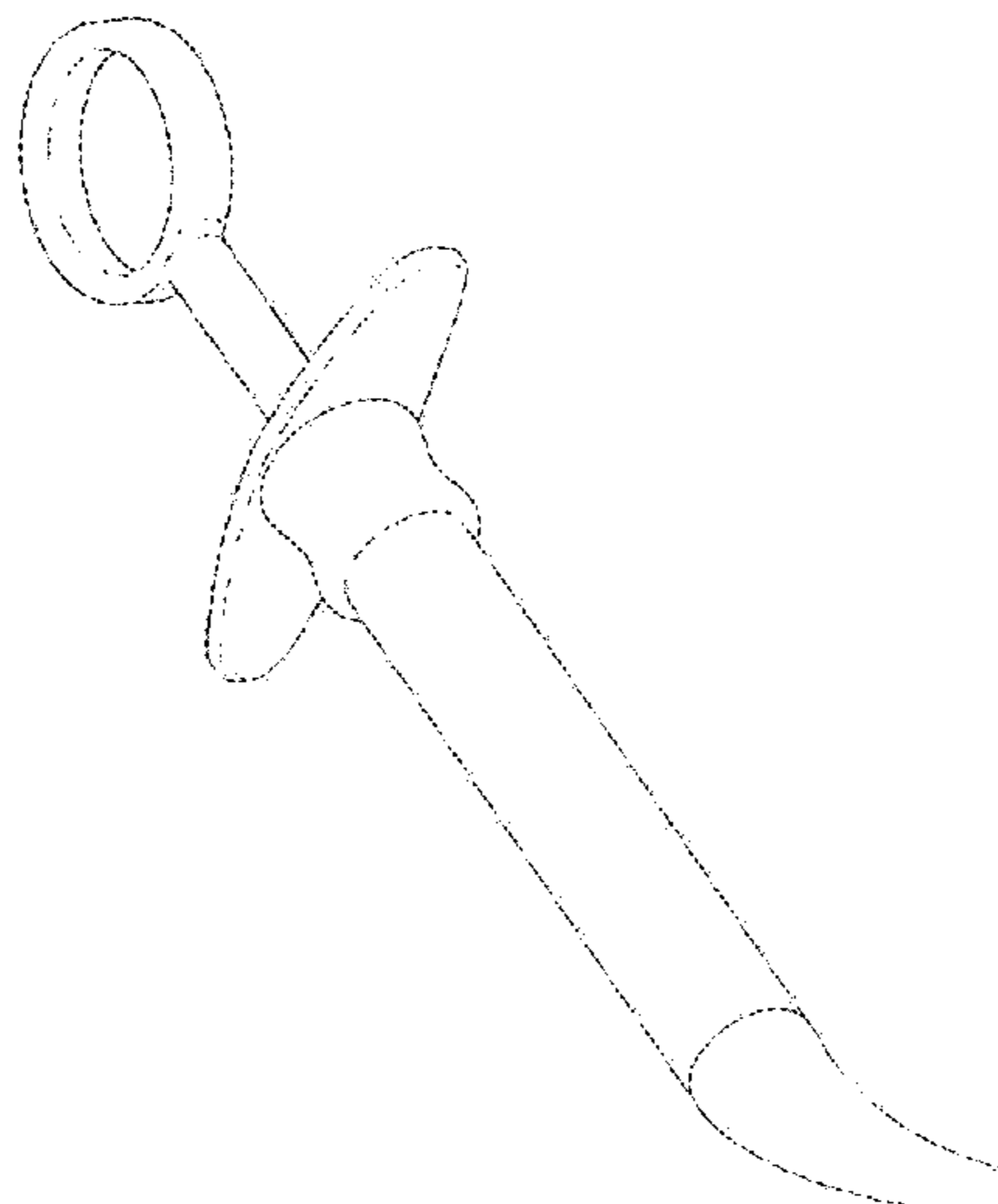
FIG. 11 is a cross-section thereof along the plane of lines 11-11 of FIG. 7.

FIG. 12 is a cross-section thereof along the plane of lines 12-12 of FIG. 7. For clarity of illustration, so that the details of the design will be easier to see, portions of the design are enlarged.

FIG. 13 is a top, left-side perspective view of the inner member of the dental amalgam carrier. The cover has been removed from the end of the inner member in the enlarged area; and,

FIG. 14 is a left-side view of the inner member of the dental amalgam carrier. The cover has been removed from the end of the inner member in the enlarged area.

1 Claim, 10 Drawing Sheets



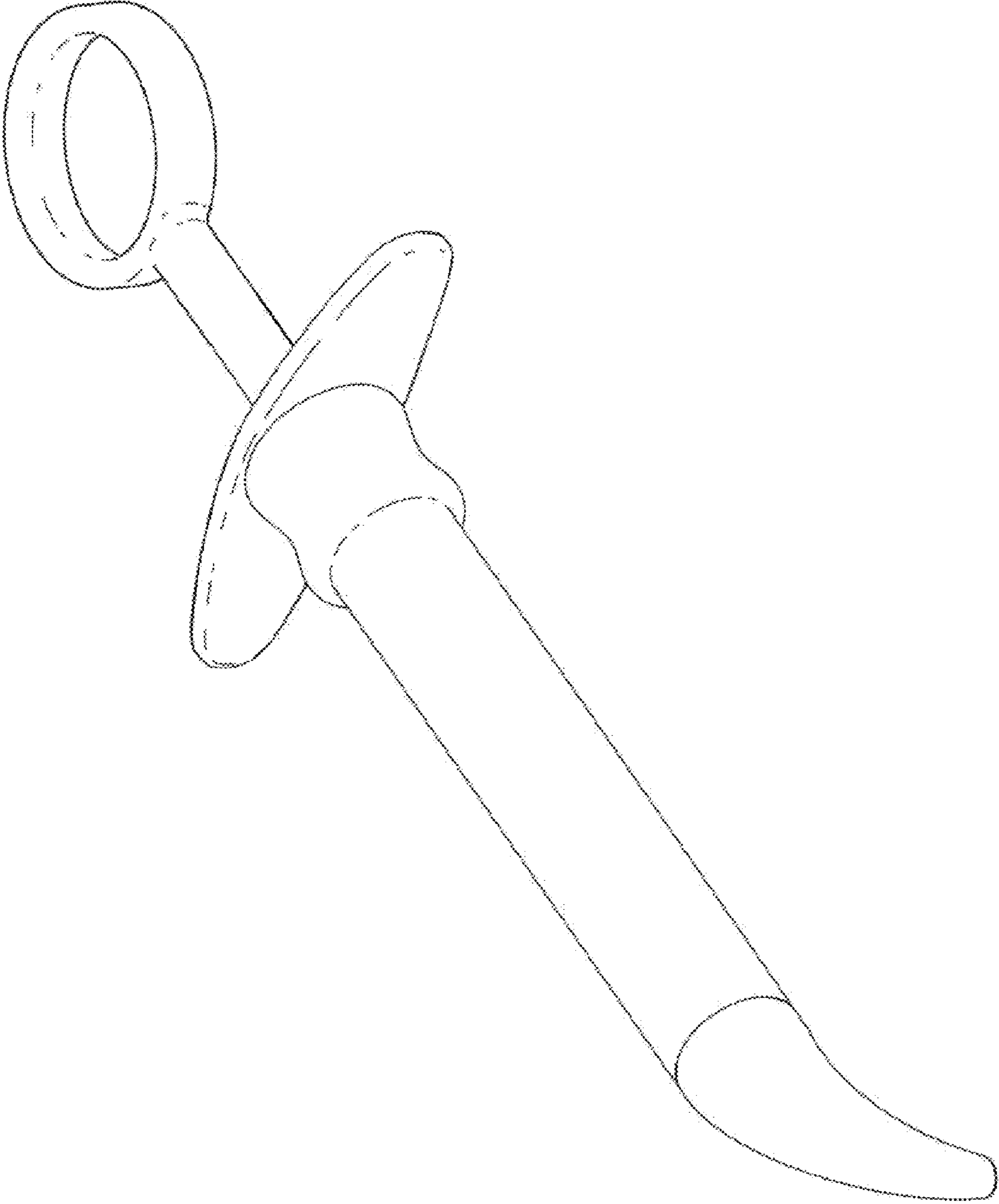


FIG. 1

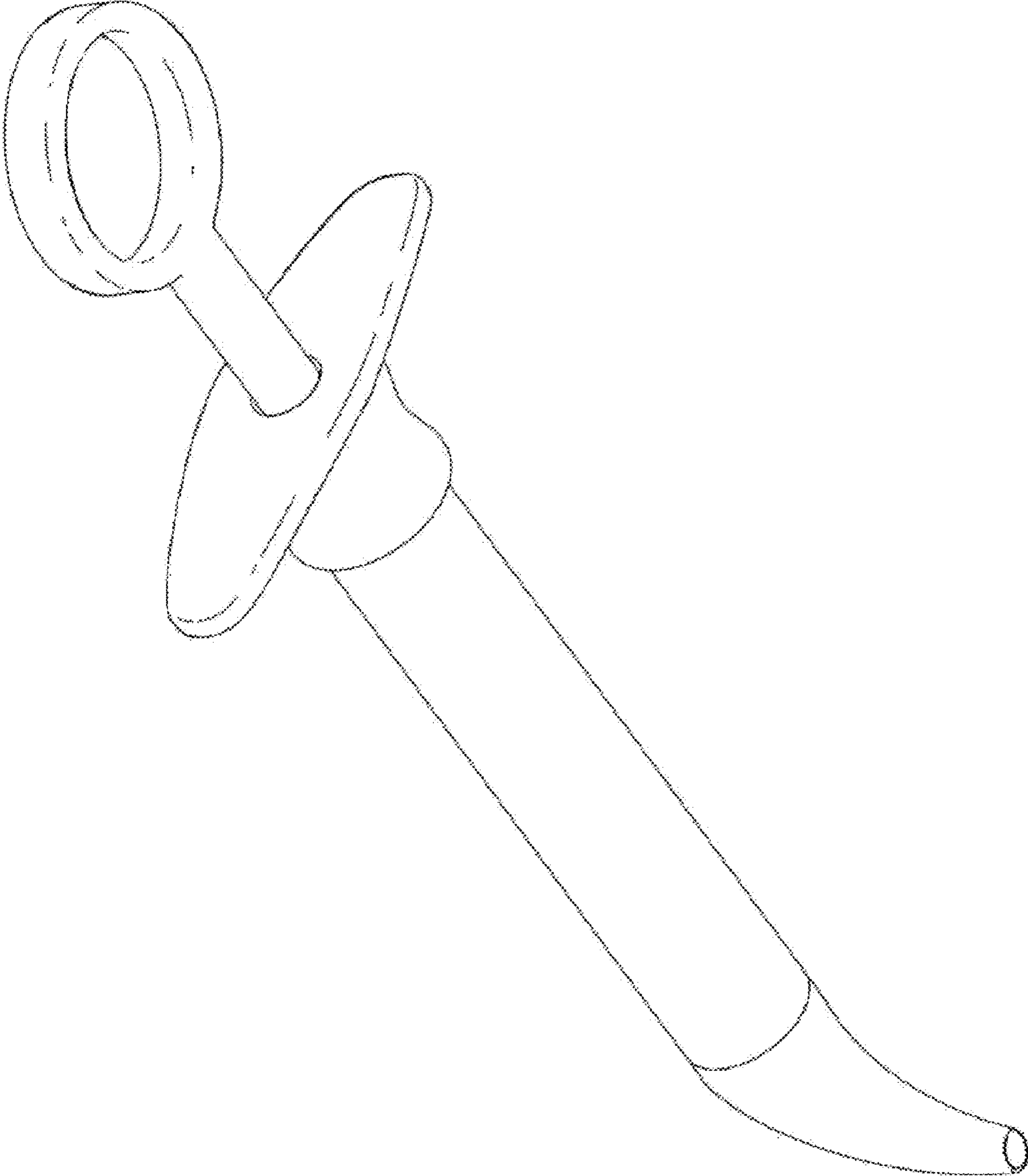


FIG. 2

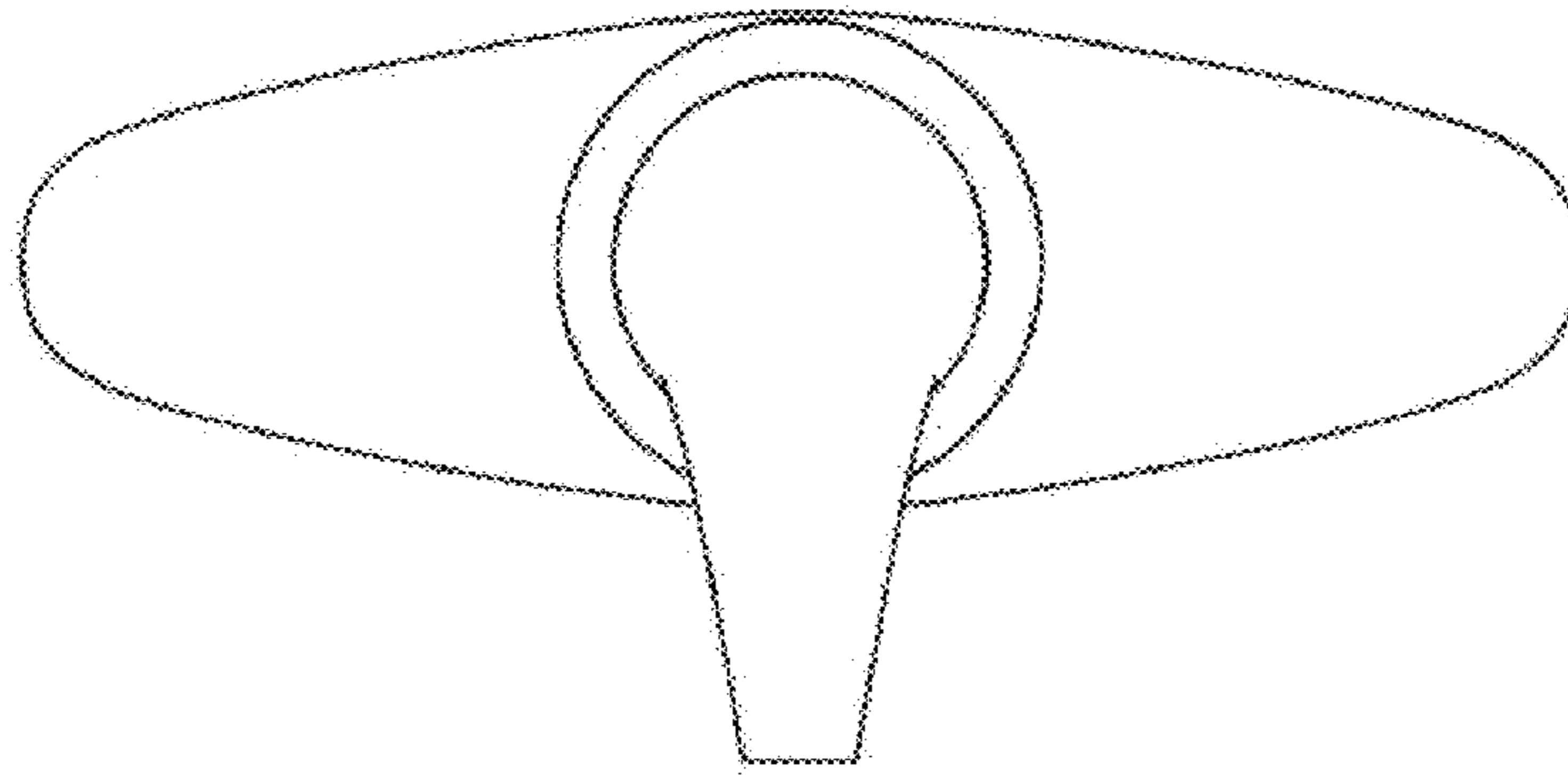


FIG. 3

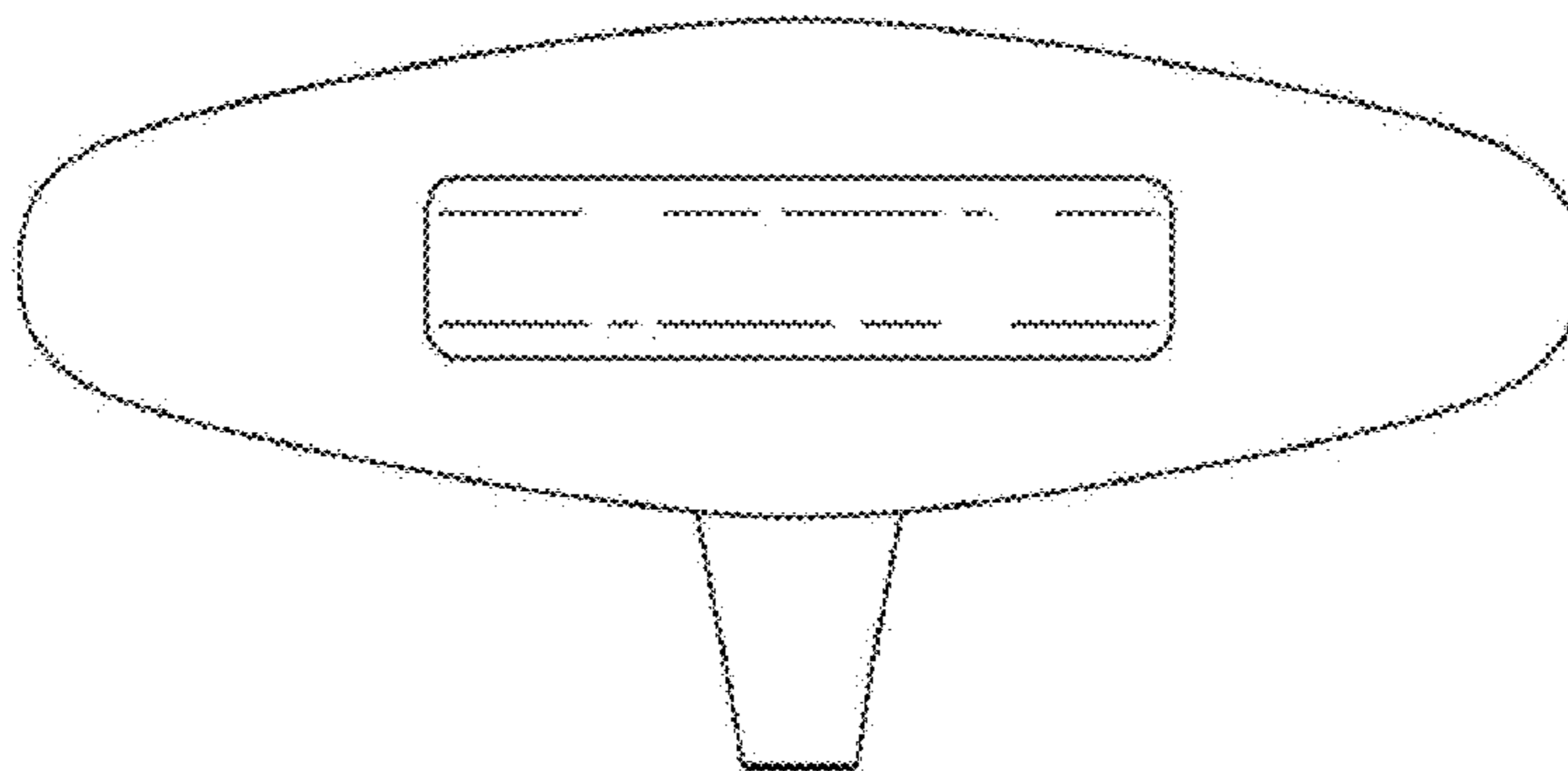


FIG. 4

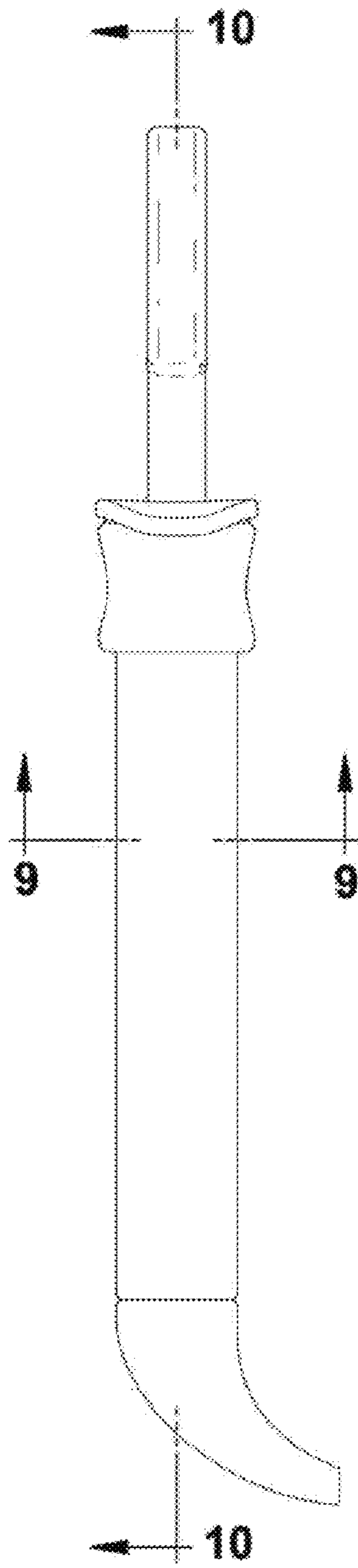


FIG. 5

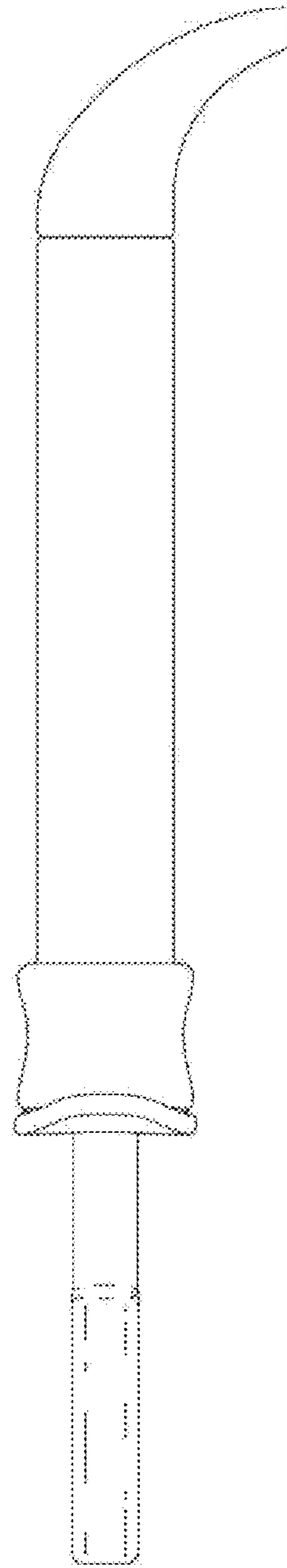


FIG. 6

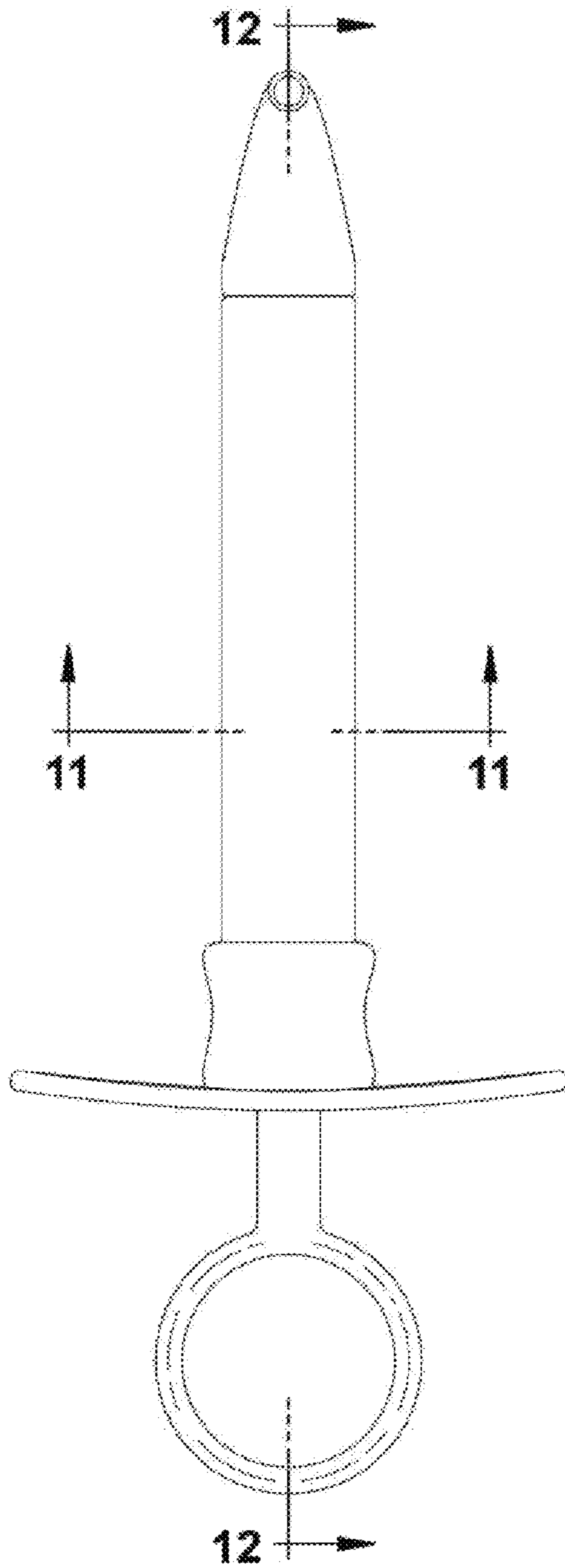


FIG. 7

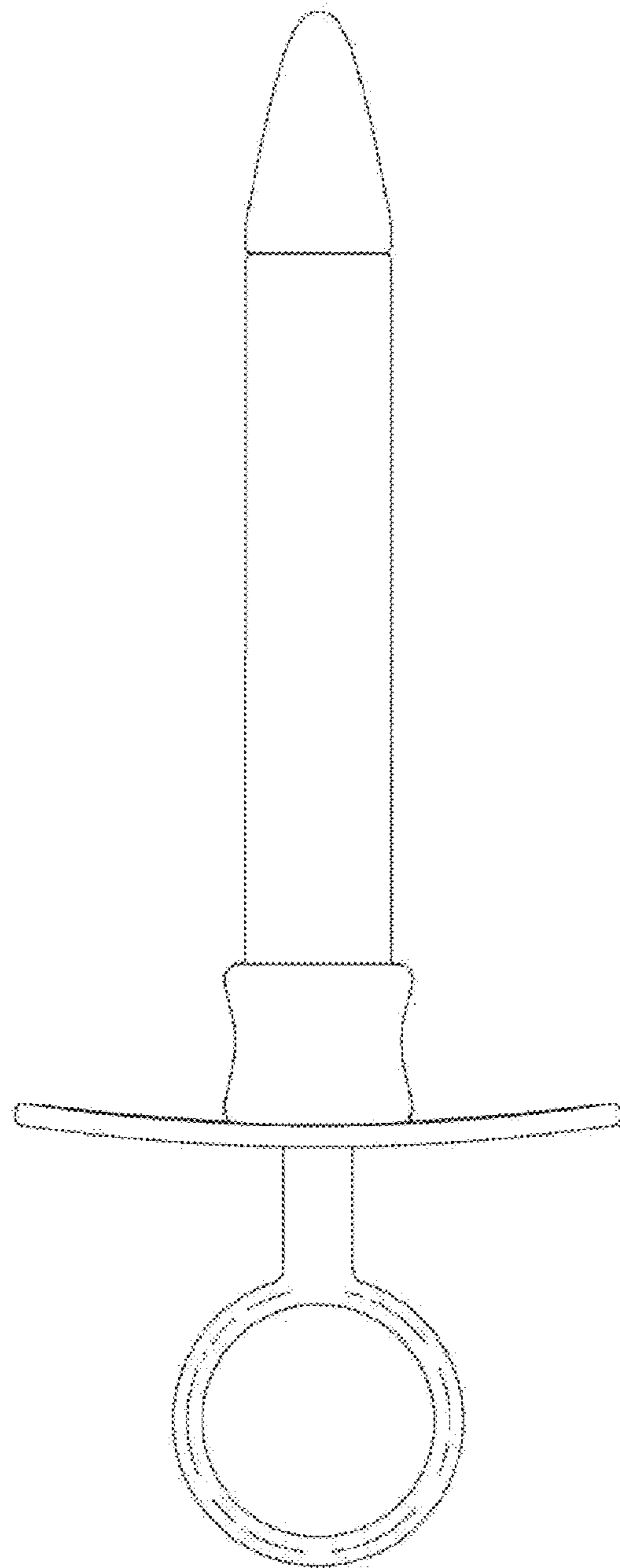


FIG. 8

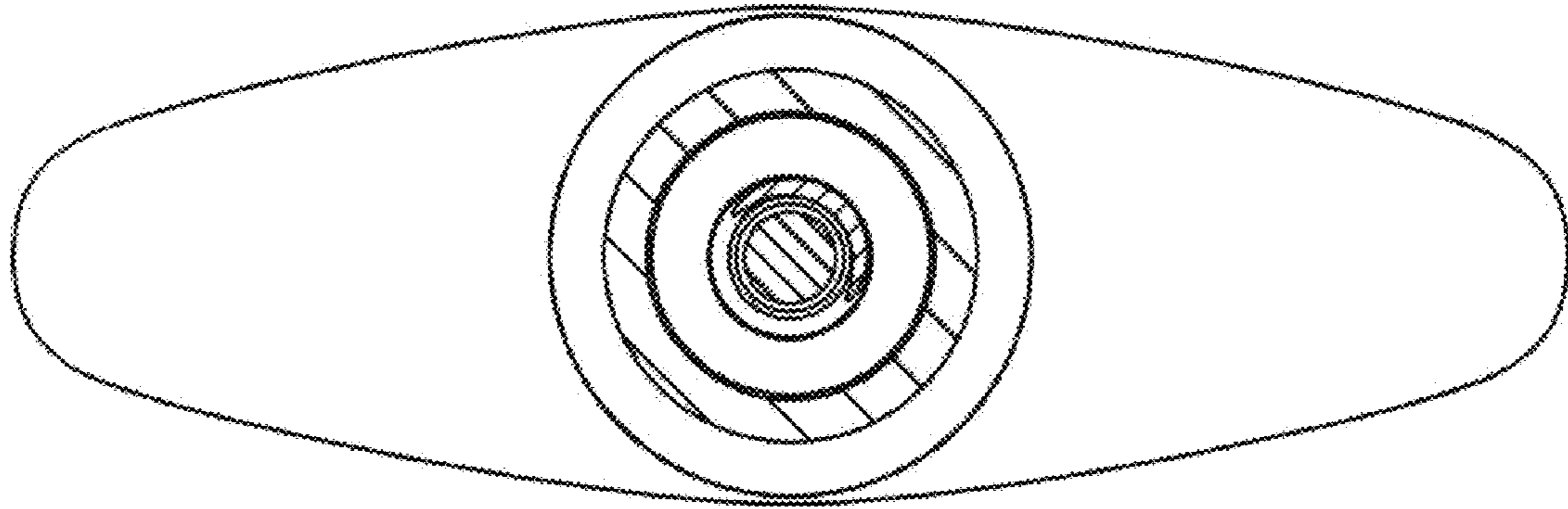


FIG. 9

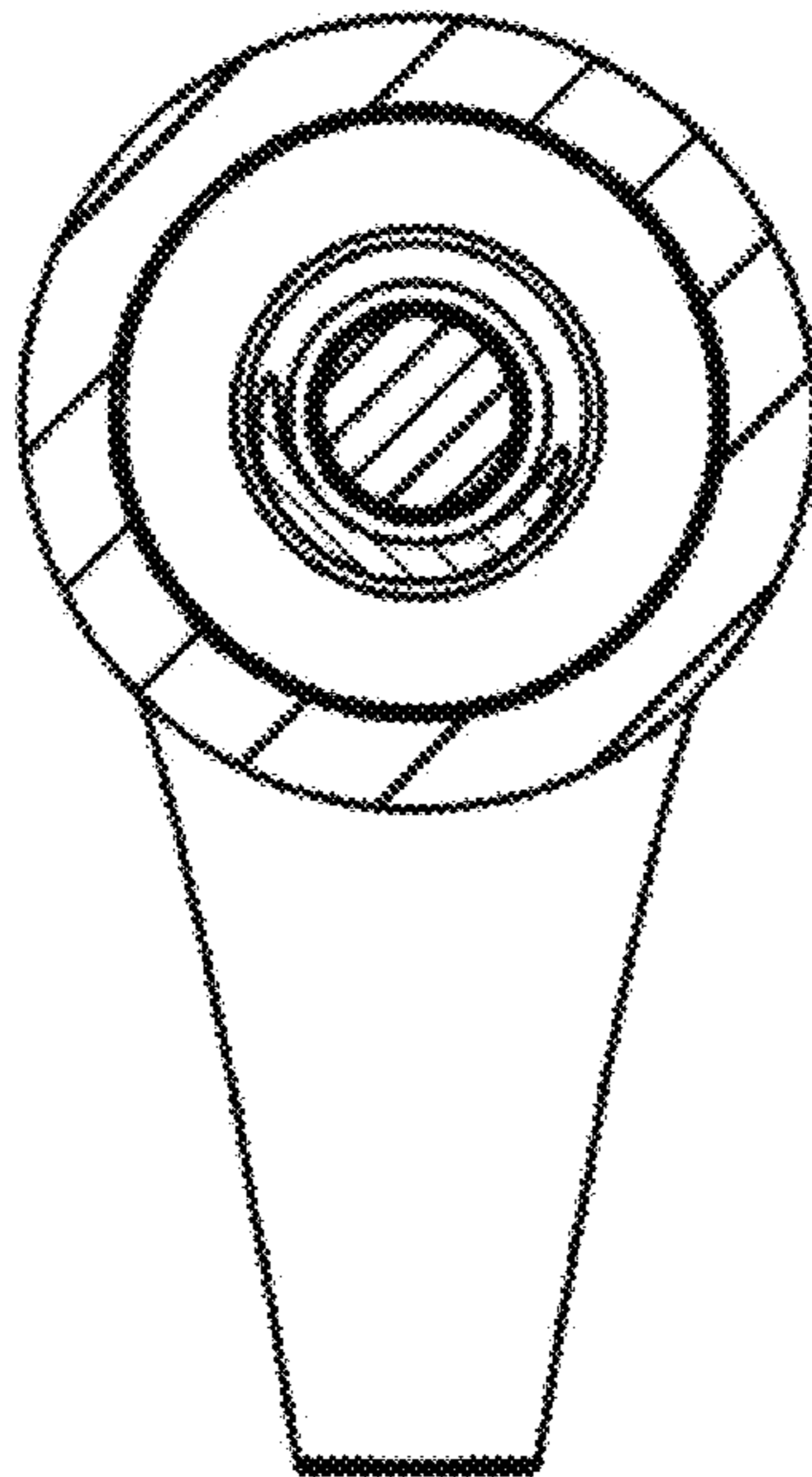


FIG. 11

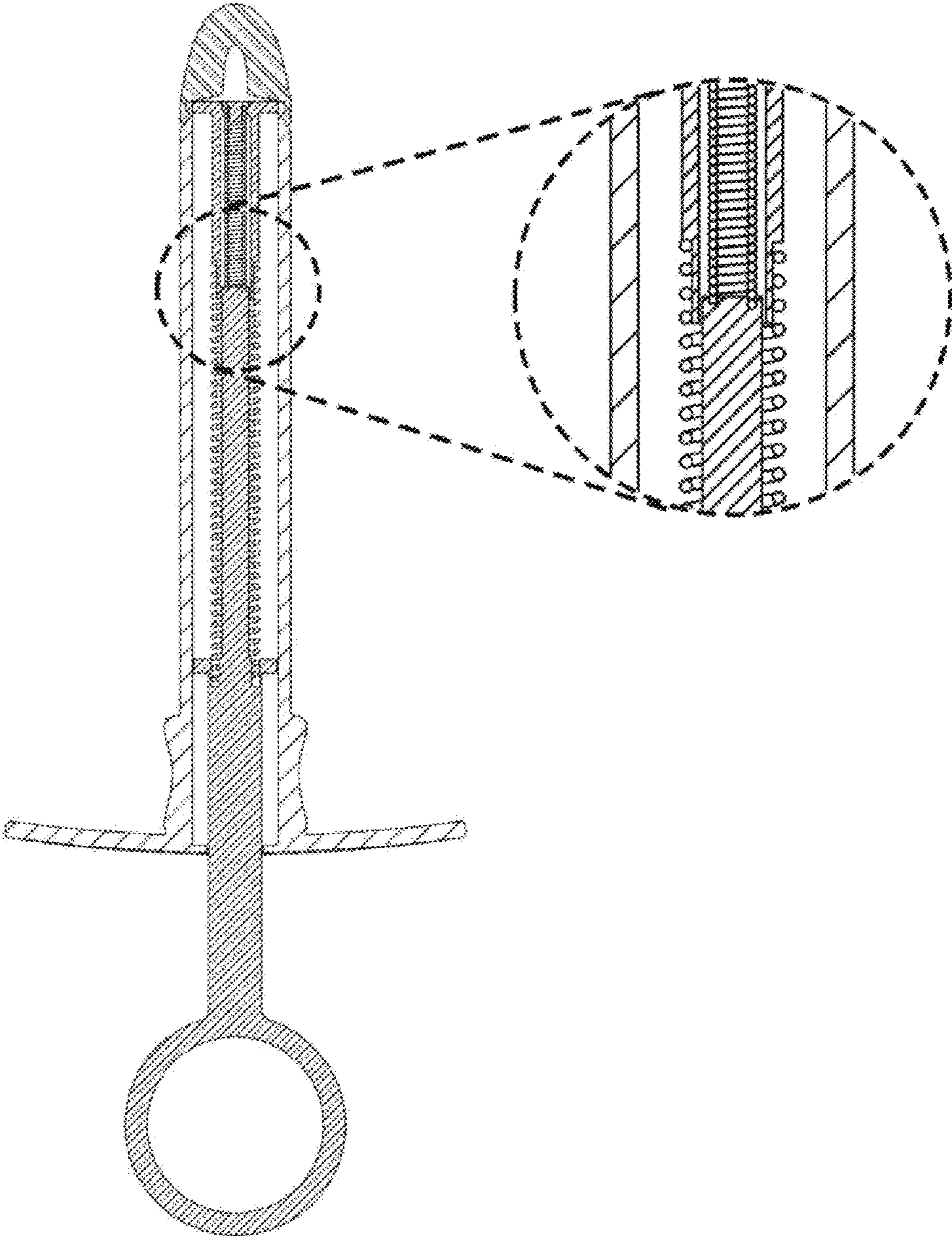


FIG. 10

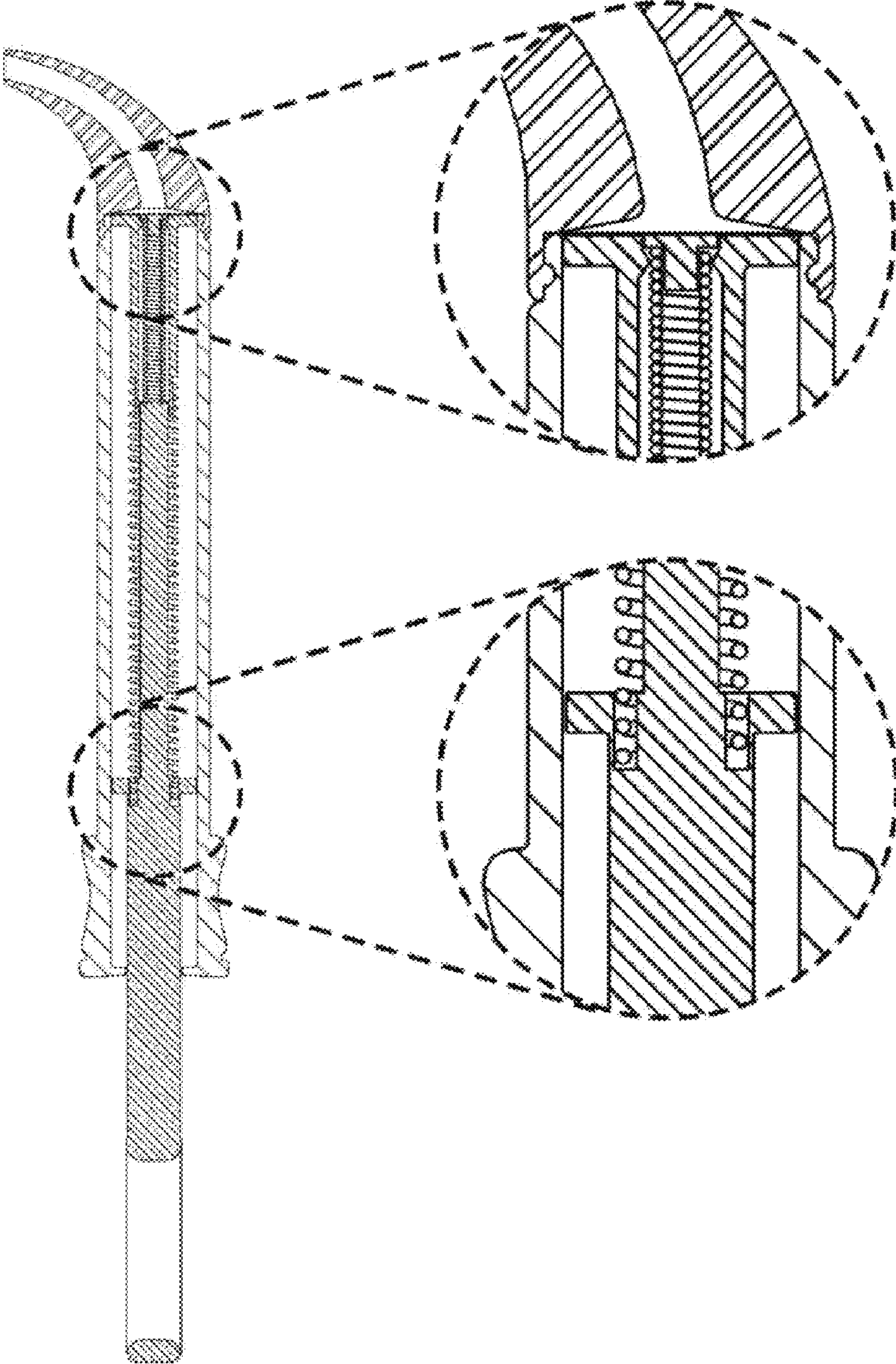


FIG. 12

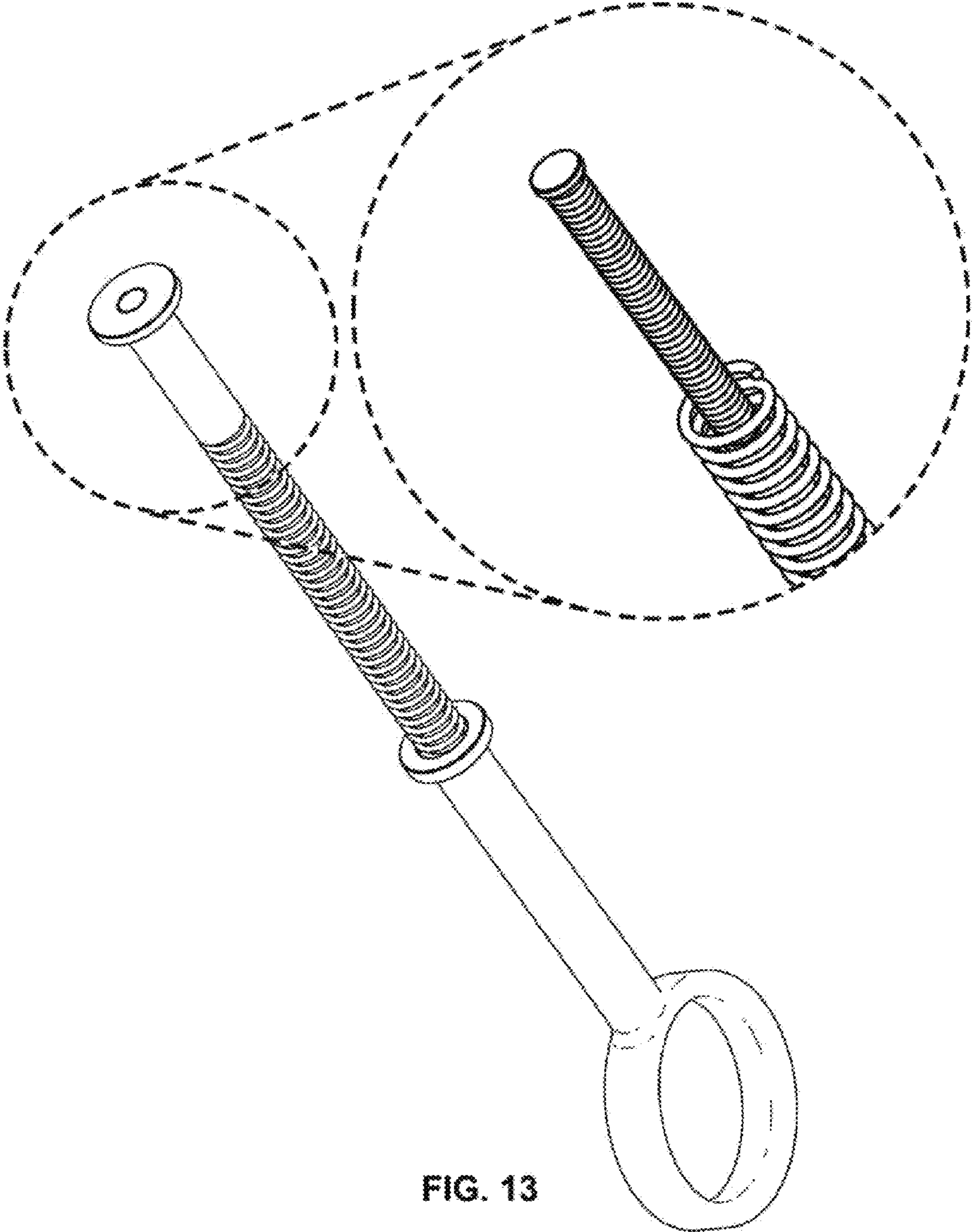


FIG. 13

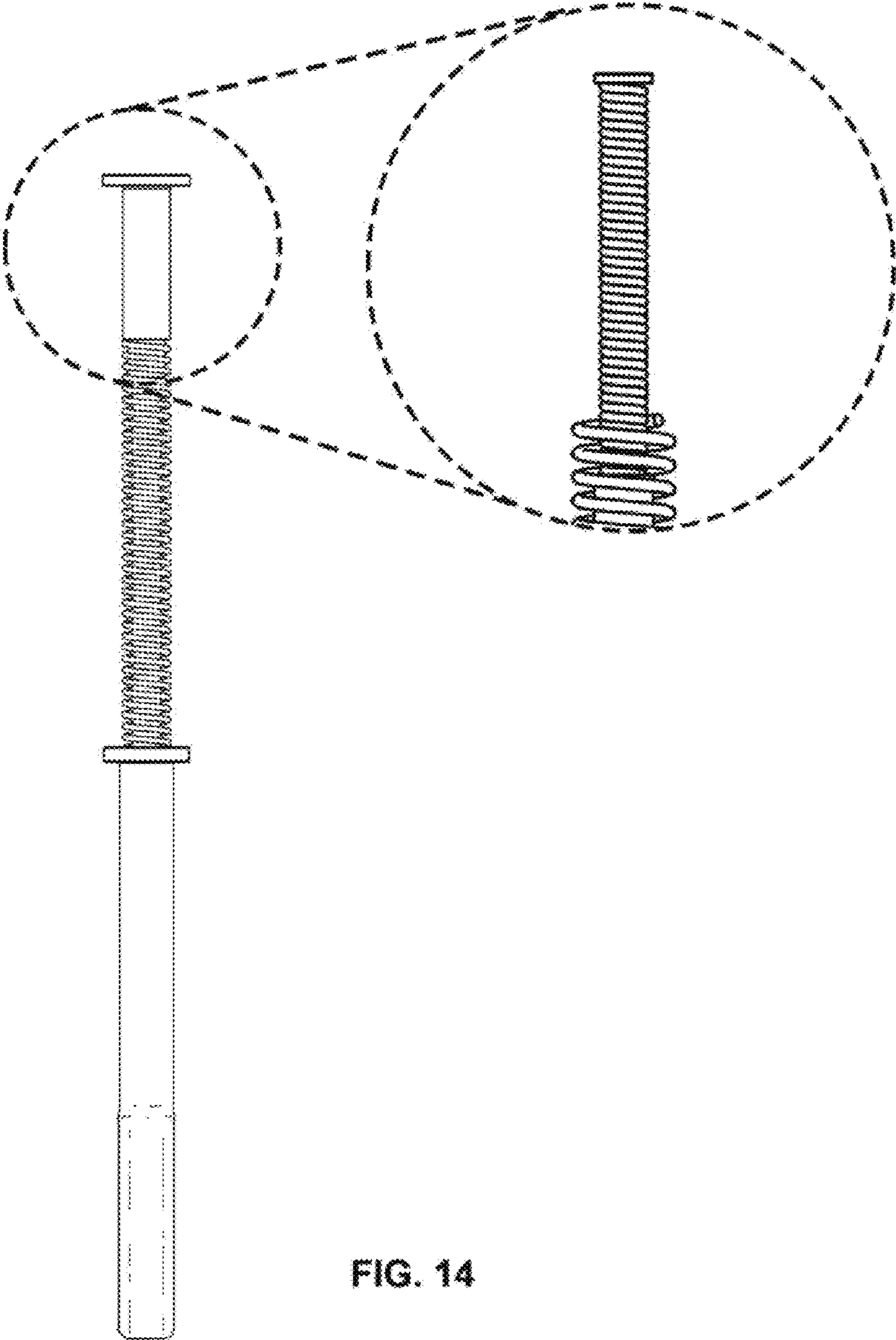


FIG. 14