



US00D730514S

(12) **United States Design Patent**
Boaz et al.

(10) **Patent No.:** **US D730,514 S**

(45) **Date of Patent:** **** May 26, 2015**

(54) **MEDICAL PERISTALTIC PUMP**

(71) Applicants: **Amos Boaz**, Shoresh (IL); **Omer Havron**, Tel Aviv (IL); **Shaul Eitan**, Hofit (IL)

(72) Inventors: **Amos Boaz**, Shoresh (IL); **Omer Havron**, Tel Aviv (IL); **Shaul Eitan**, Hofit (IL)

(73) Assignee: **Q-Core Medical Ltd.**, Petach Tikva (IL)

(**) Term: **14 Years**

(21) Appl. No.: **29/470,986**

(22) Filed: **Oct. 27, 2013**

(51) **LOC (10) Cl.** **24-02**

(52) **U.S. Cl.**
USPC **D24/111**

(58) **Field of Classification Search**
USPC D24/111; 604/153, 131, 151, 216, 506;
417/474, 477.7

See application file for complete search history.

(56) **References Cited**

U.S. PATENT DOCUMENTS

8,152,486	B2 *	4/2012	Fathallah et al.	417/360
2005/0137530	A1 *	6/2005	Campbell et al.	604/131
2008/0045904	A1 *	2/2008	Estes et al.	604/152
2009/0221964	A1 *	9/2009	Rotem et al.	604/151
2011/0152772	A1 *	6/2011	Rotem et al.	604/153
2012/0191059	A1 *	7/2012	Cummings et al.	604/500

* cited by examiner

Primary Examiner — Wan Laymon

Assistant Examiner — Mark Booker

(74) *Attorney, Agent, or Firm* — Eitan, Mahulal & Sadot

(57) **CLAIM**

The ornamental design for a medical peristaltic pump, as shown and described.

DESCRIPTION

FIG. 1 is a perspective view of the medical peristaltic pump in a closed position;

FIG. 2 is a front view of the medical peristaltic pump in the closed position;

FIG. 3 is a rear view of the medical peristaltic pump in the closed position;

FIG. 4 is a left side view of the medical peristaltic pump in the closed position;

FIG. 5 is a right side view of the medical peristaltic pump in the closed position;

FIG. 6 is a top view of the medical peristaltic pump in the closed position;

FIG. 7 is a bottom view of the medical peristaltic pump in the closed position;

FIG. 8 is a perspective view of the medical peristaltic pump in an open position;

FIG. 9 is a front view of the medical peristaltic pump in the open position;

FIG. 10 is a rear view of the medical peristaltic pump in the open position;

FIG. 11 is a right side view of the medical peristaltic pump in the open position;

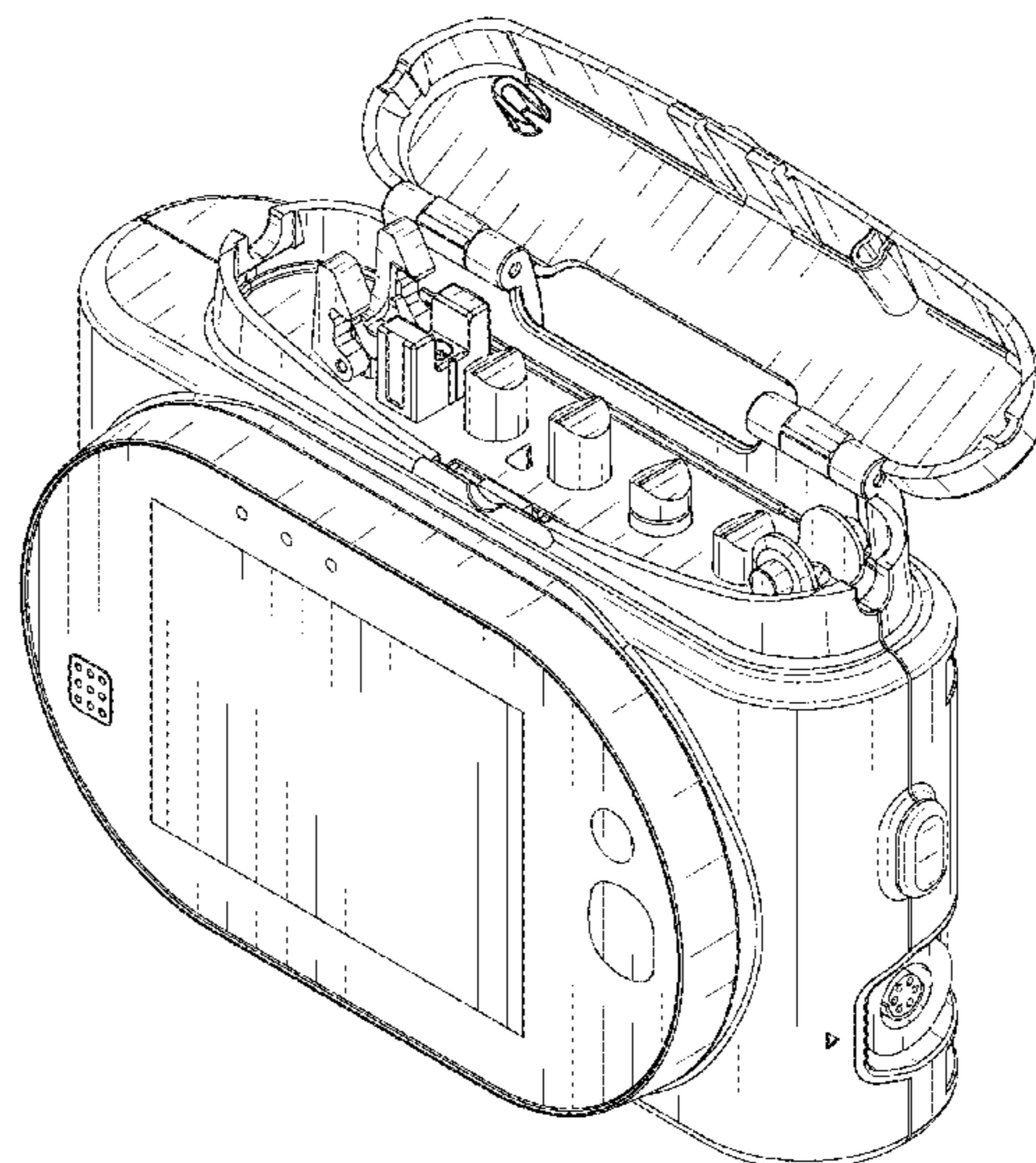
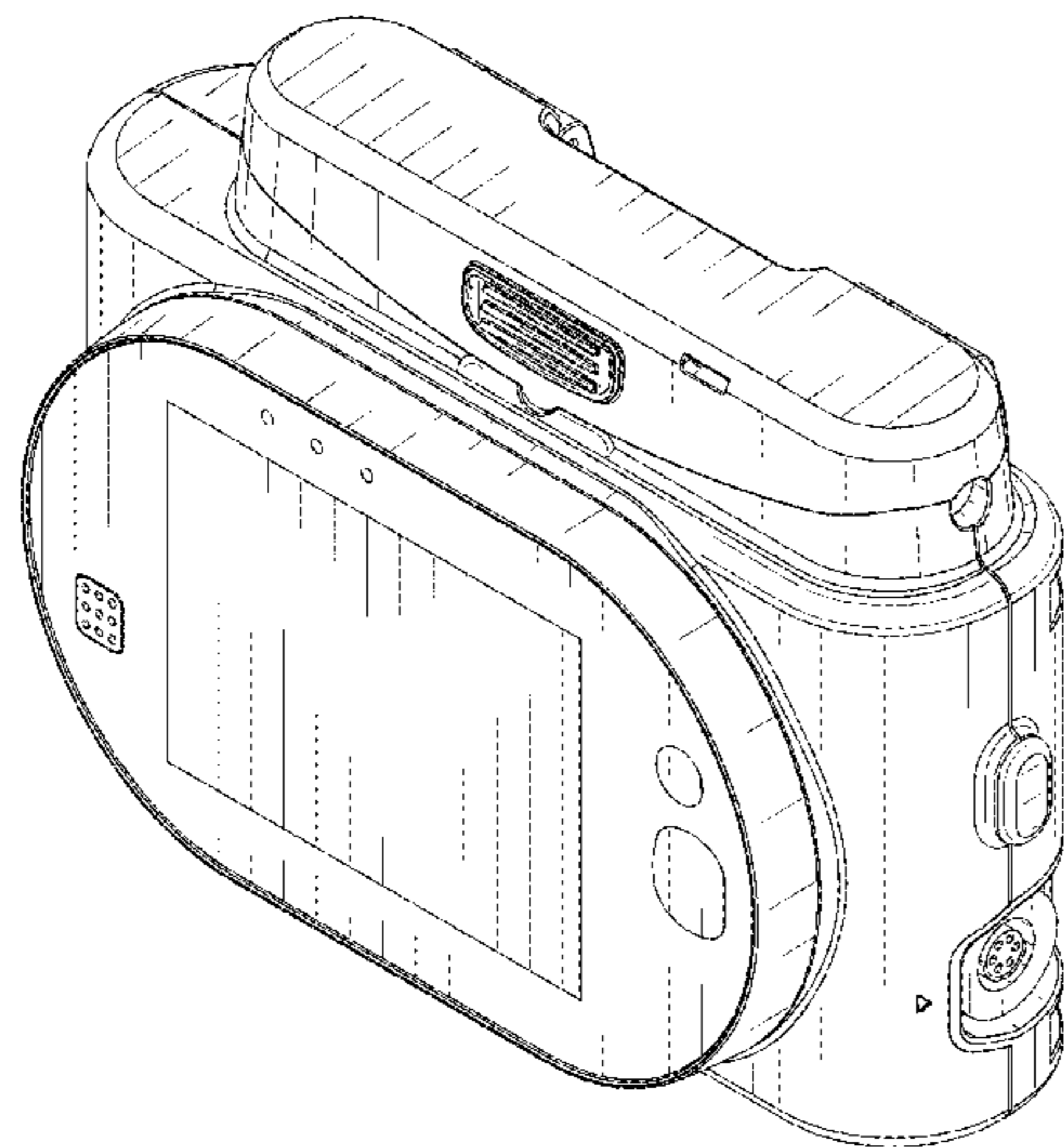
FIG. 12 is a left side view of the medical peristaltic pump in the open position;

FIG. 13 is a top view of the medical peristaltic pump in the open position; and,

FIG. 14 is a bottom view of the medical peristaltic pump in the open position.

Portions of the article shown in broken lines form no part of the claimed design.

1 Claim, 11 Drawing Sheets



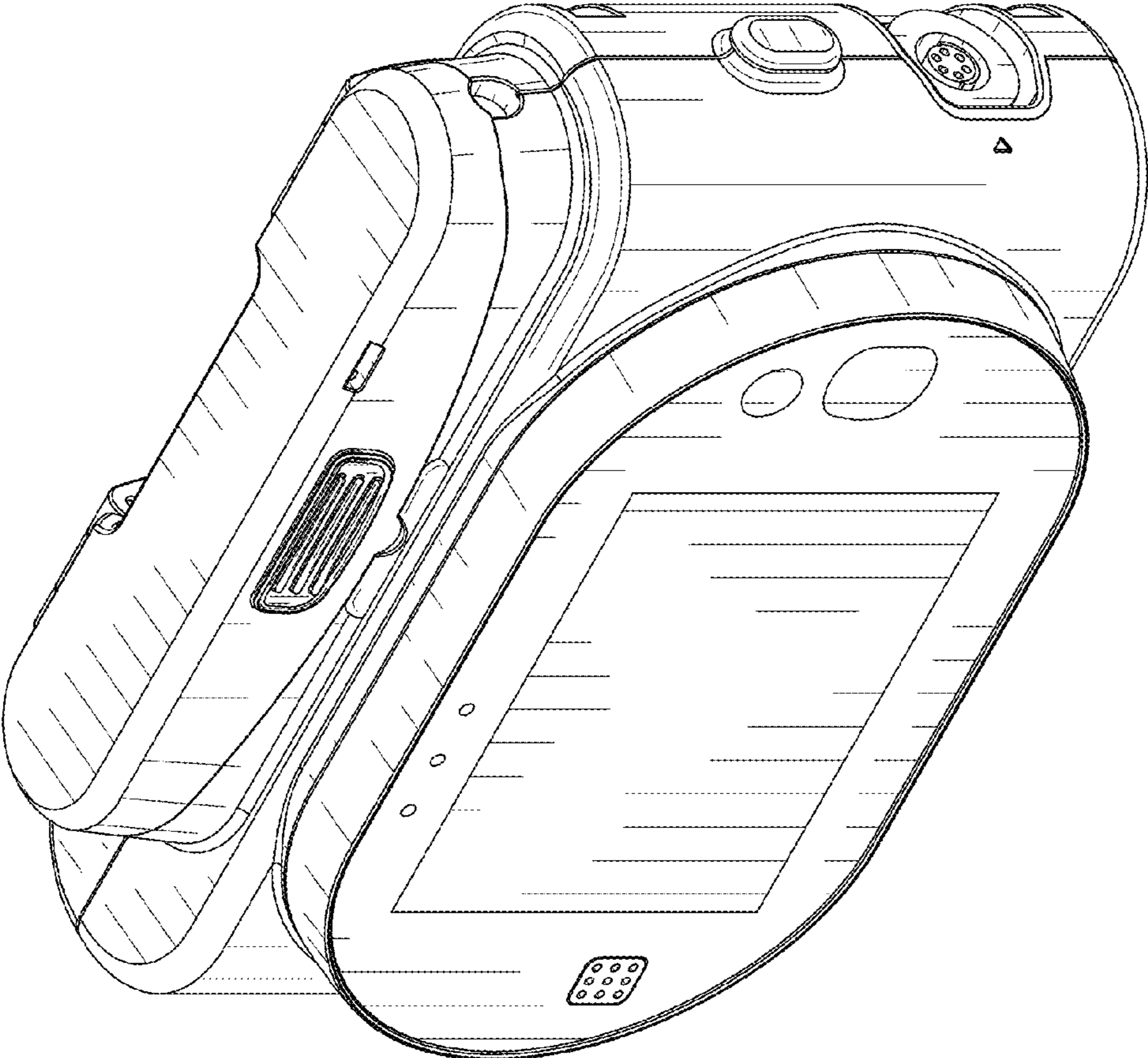


FIG.1

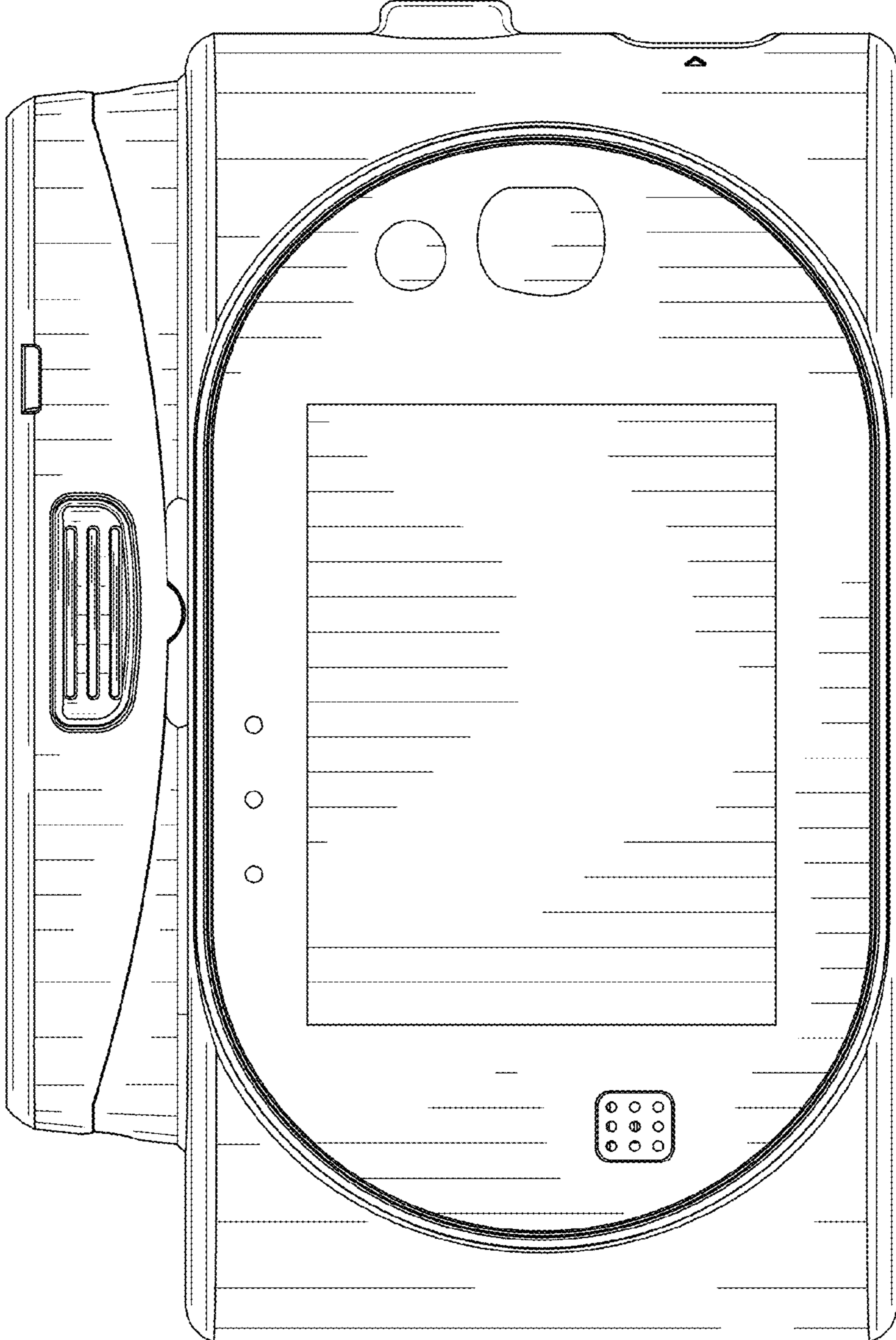


FIG.2

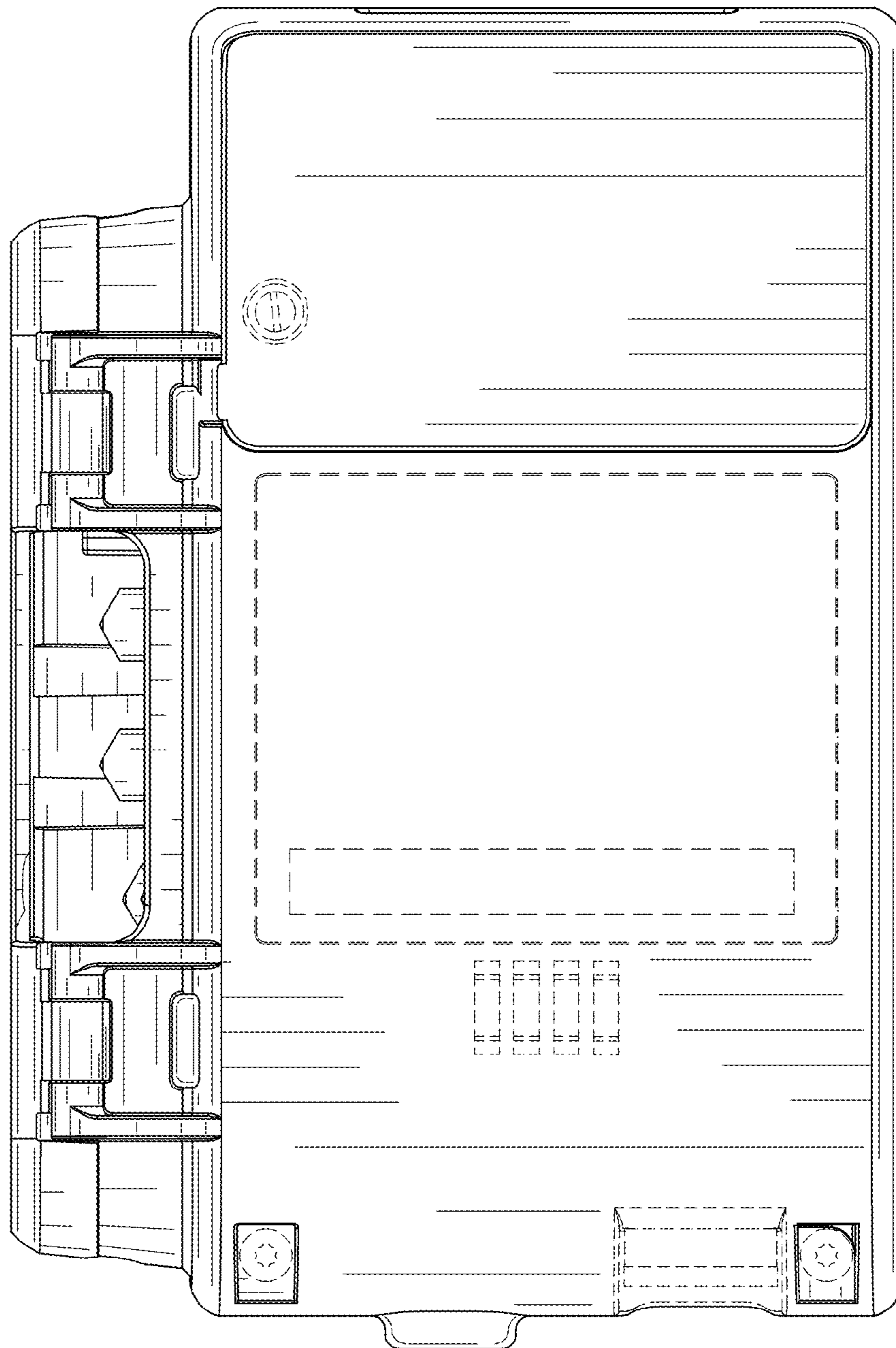


FIG.3

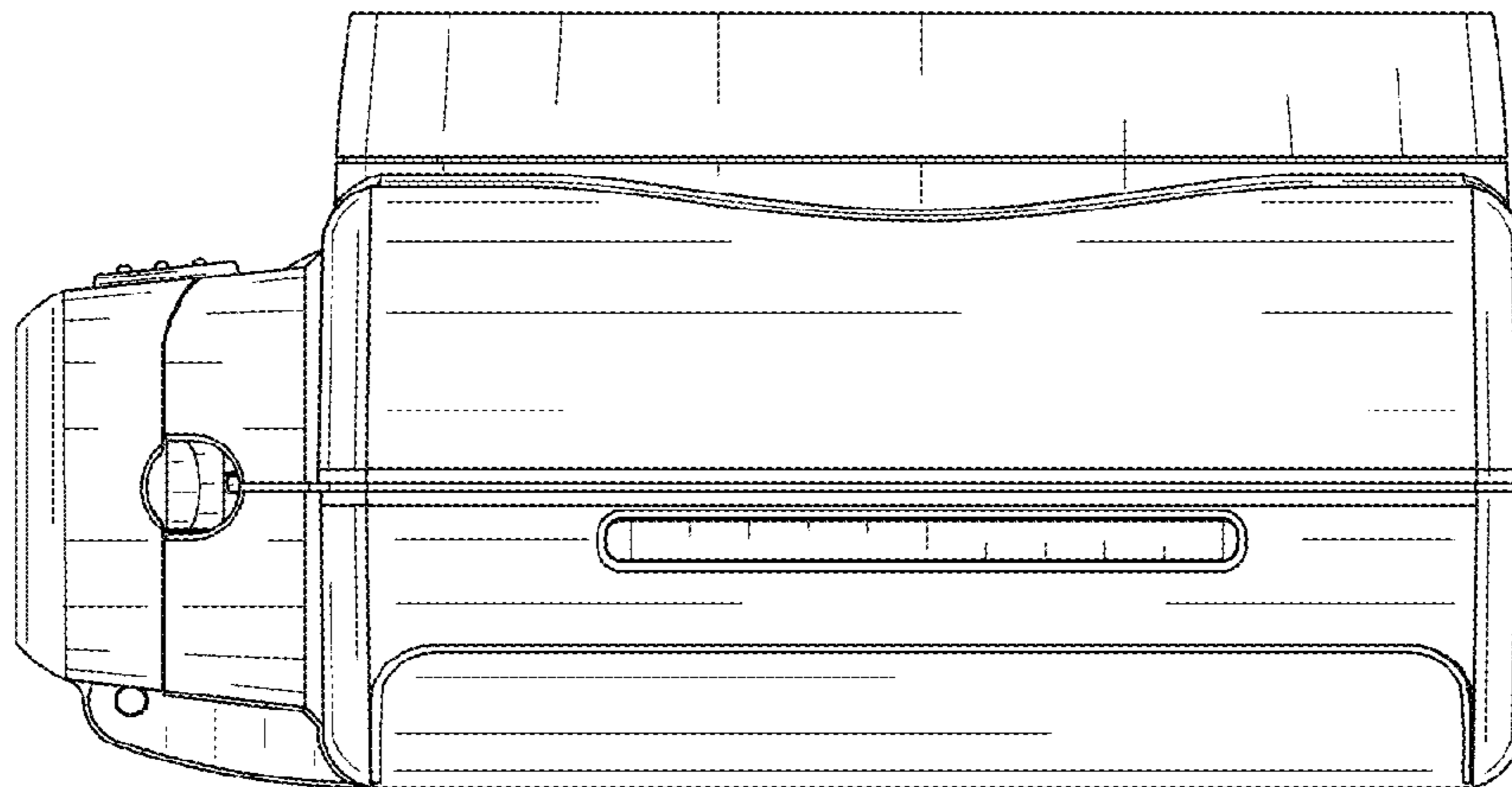


FIG. 5

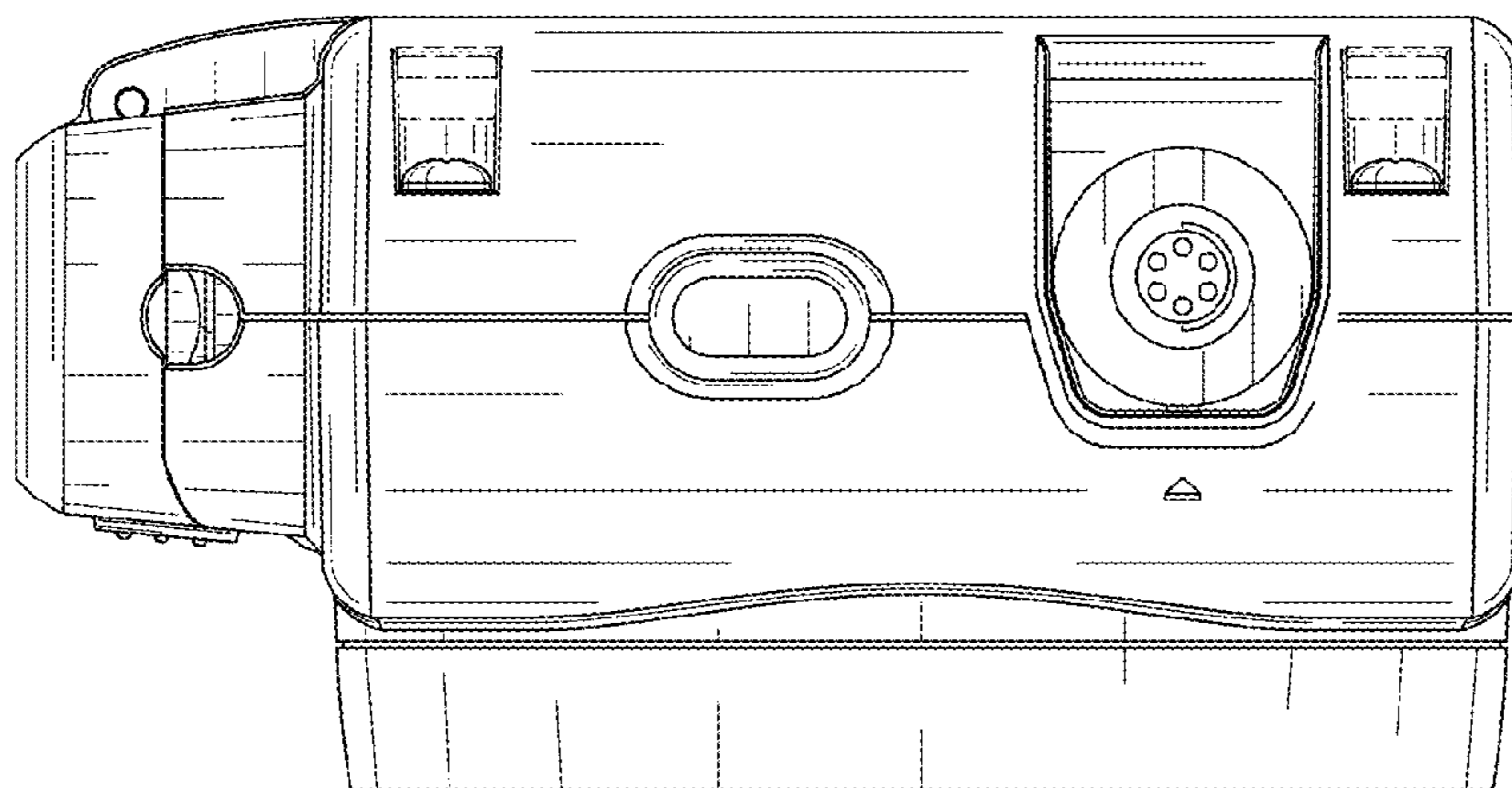


FIG. 4

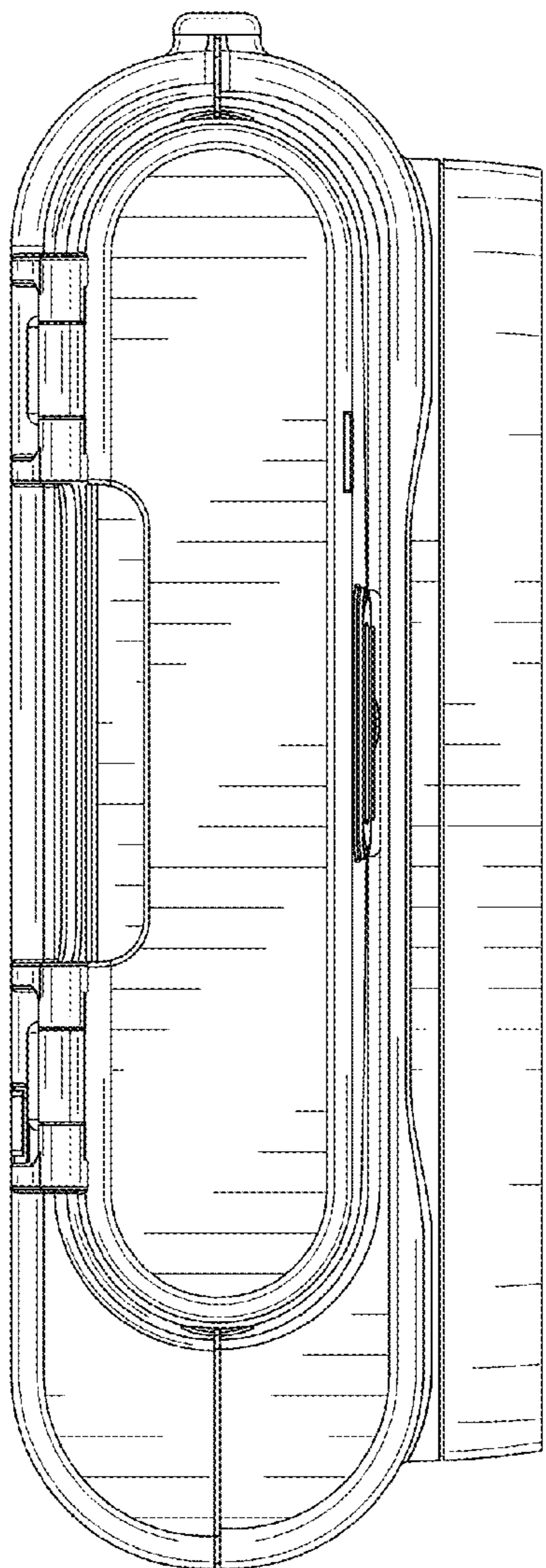


FIG. 6

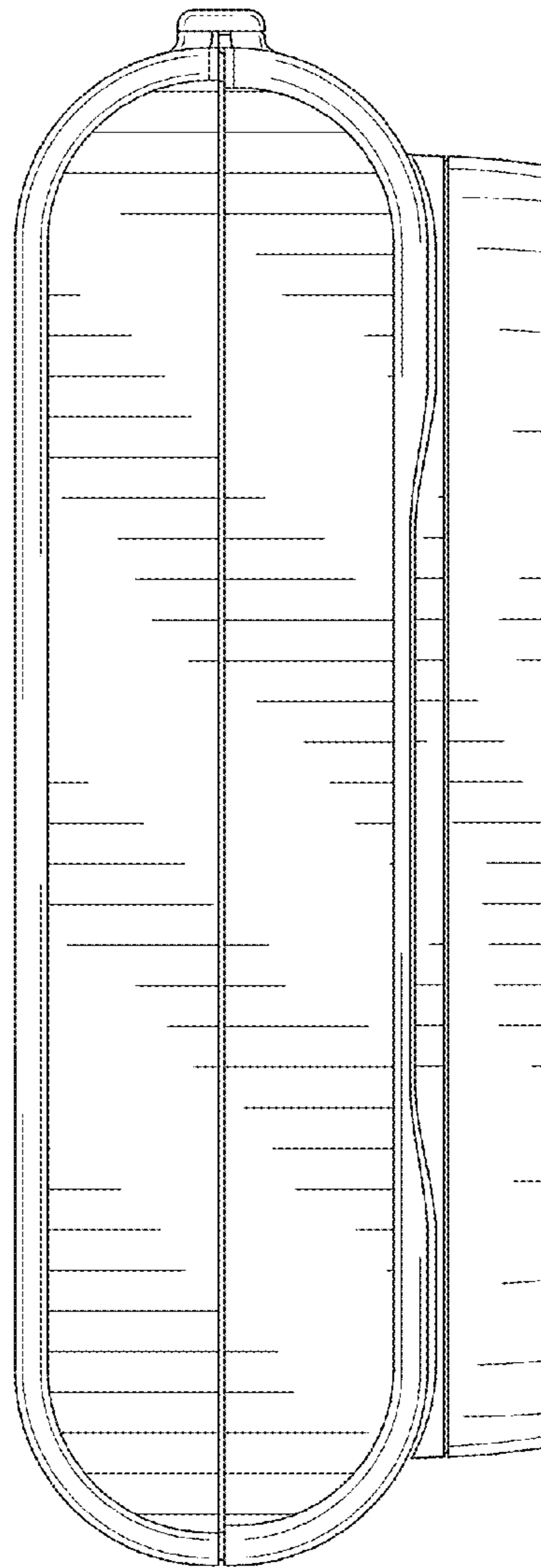


FIG. 7

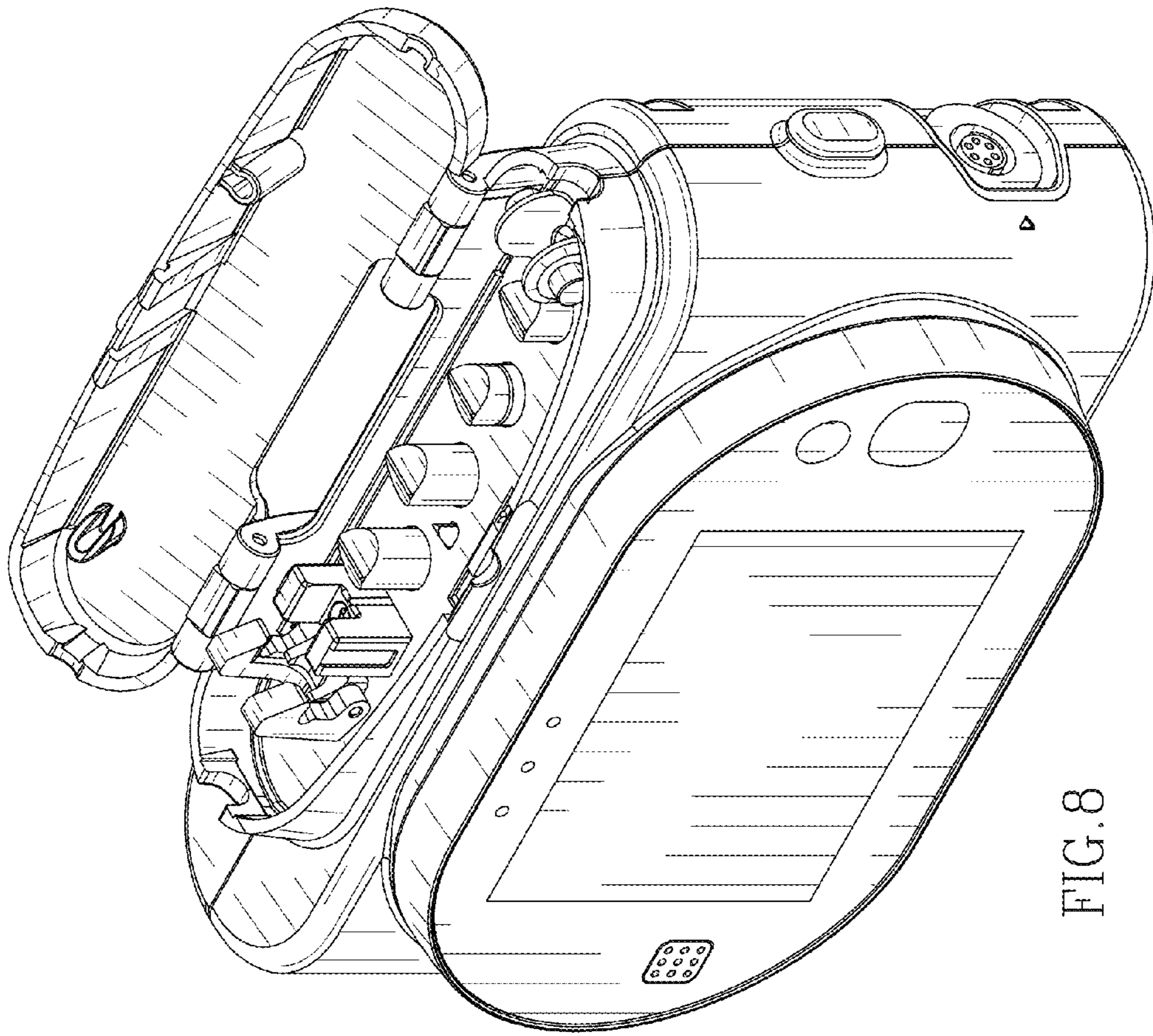


FIG. 8

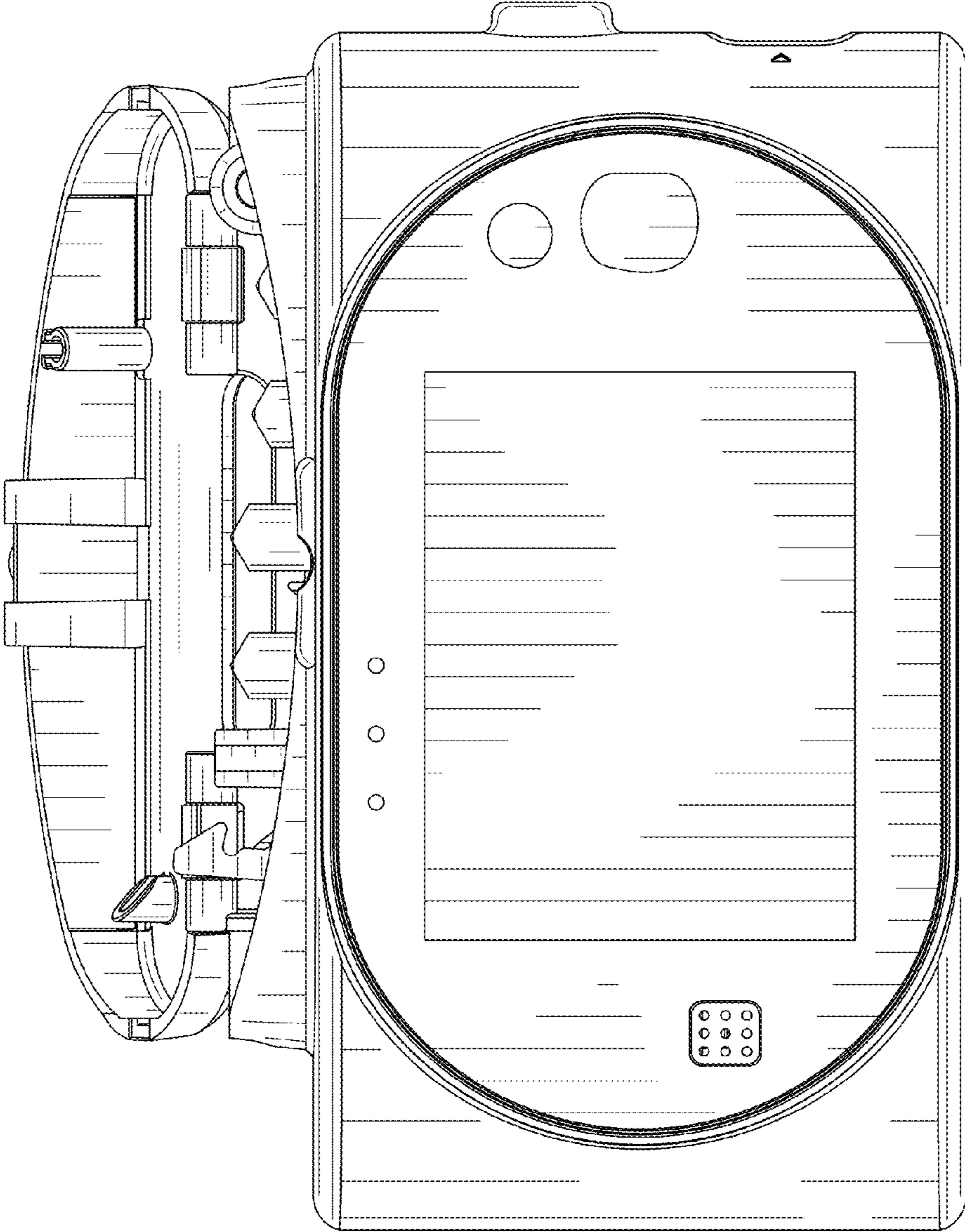


FIG. 9

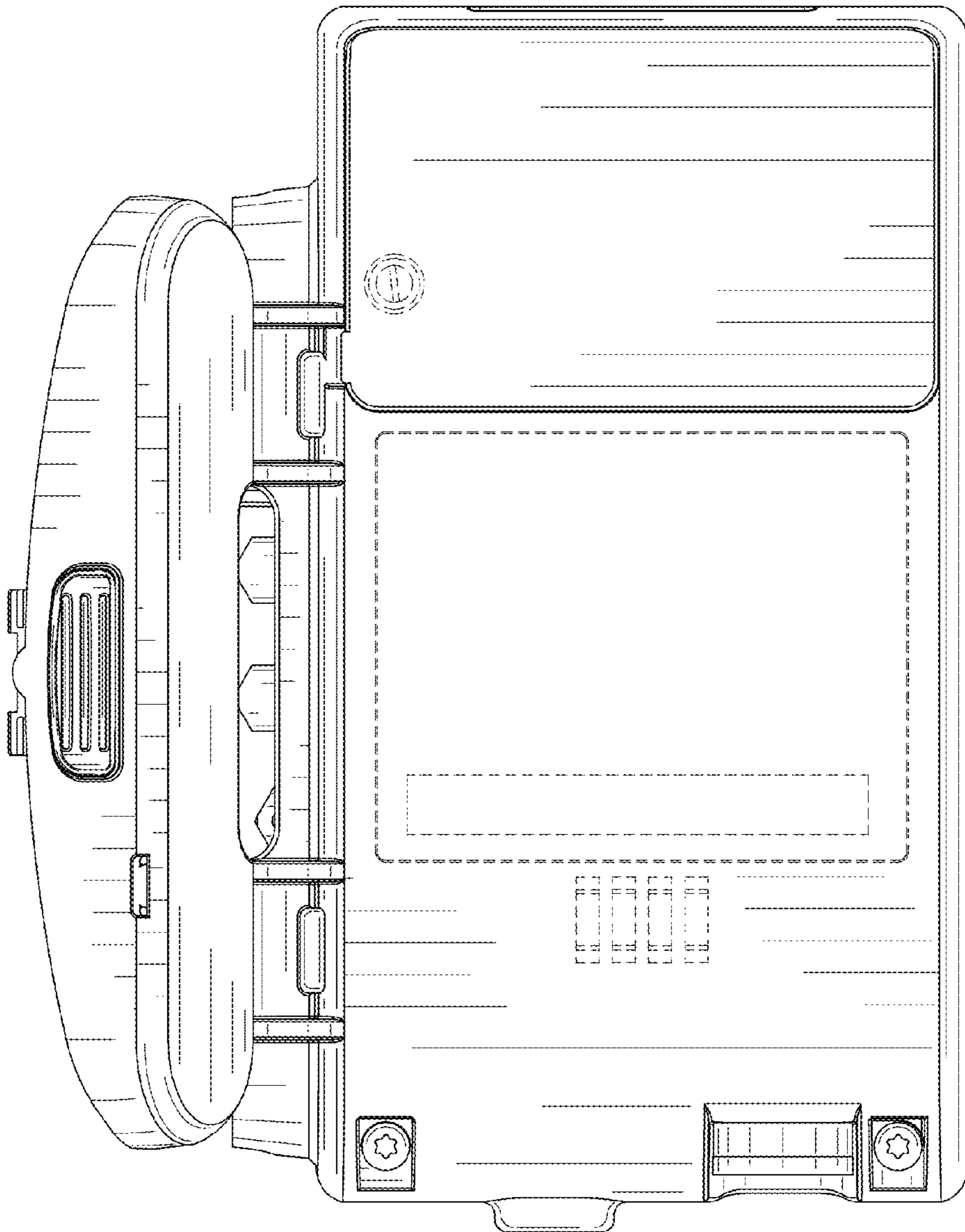


FIG.10

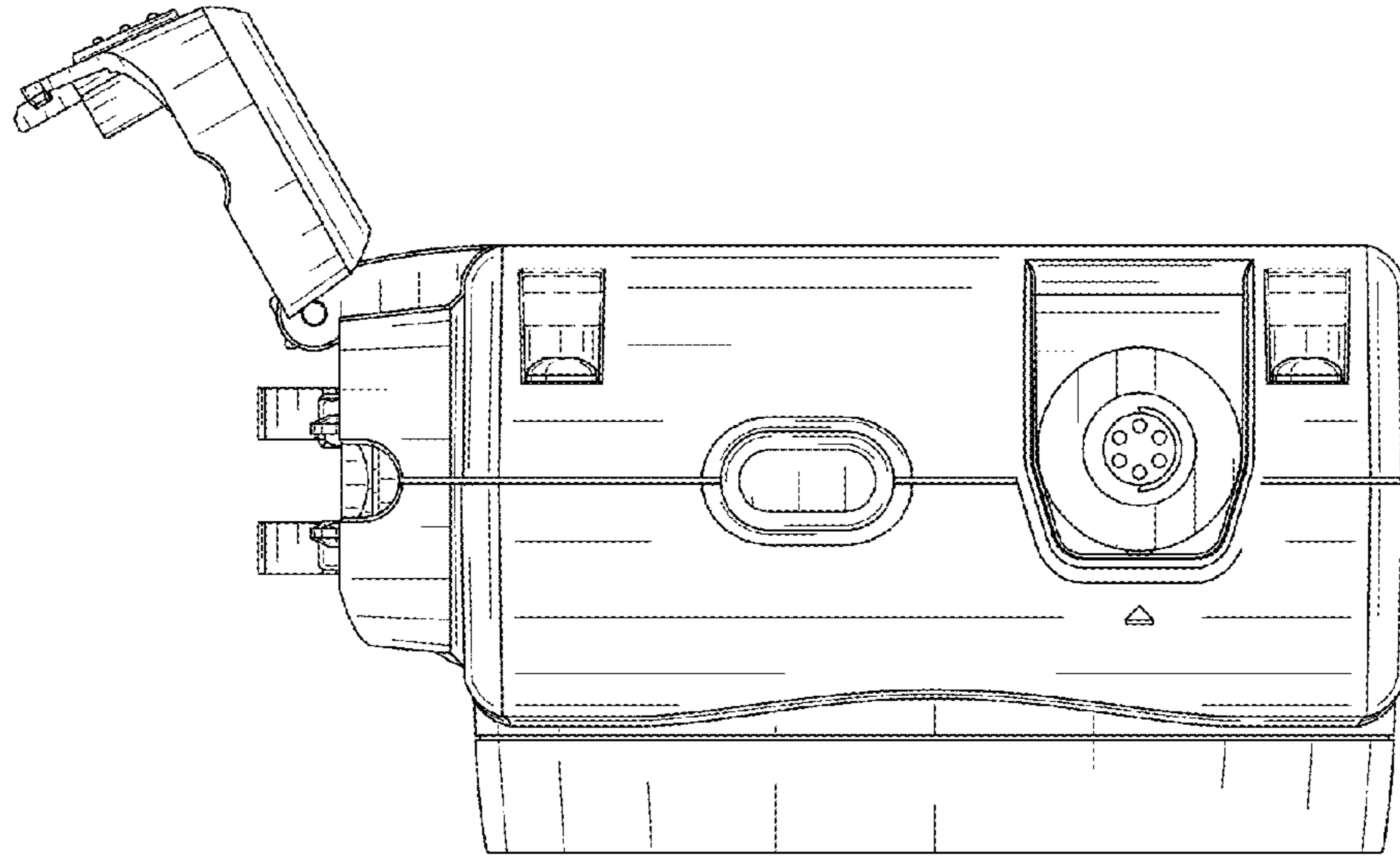


FIG.12

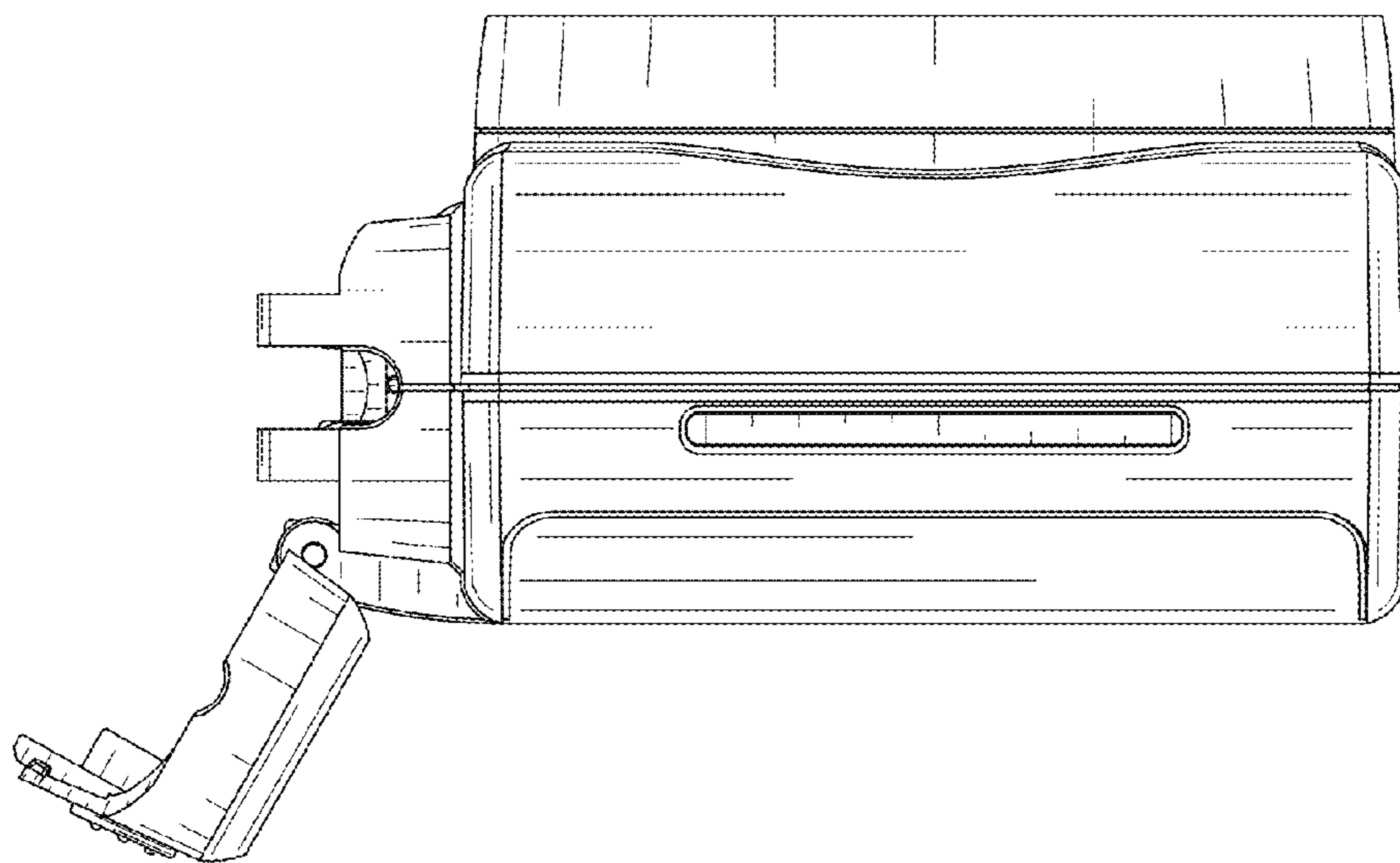


FIG.11

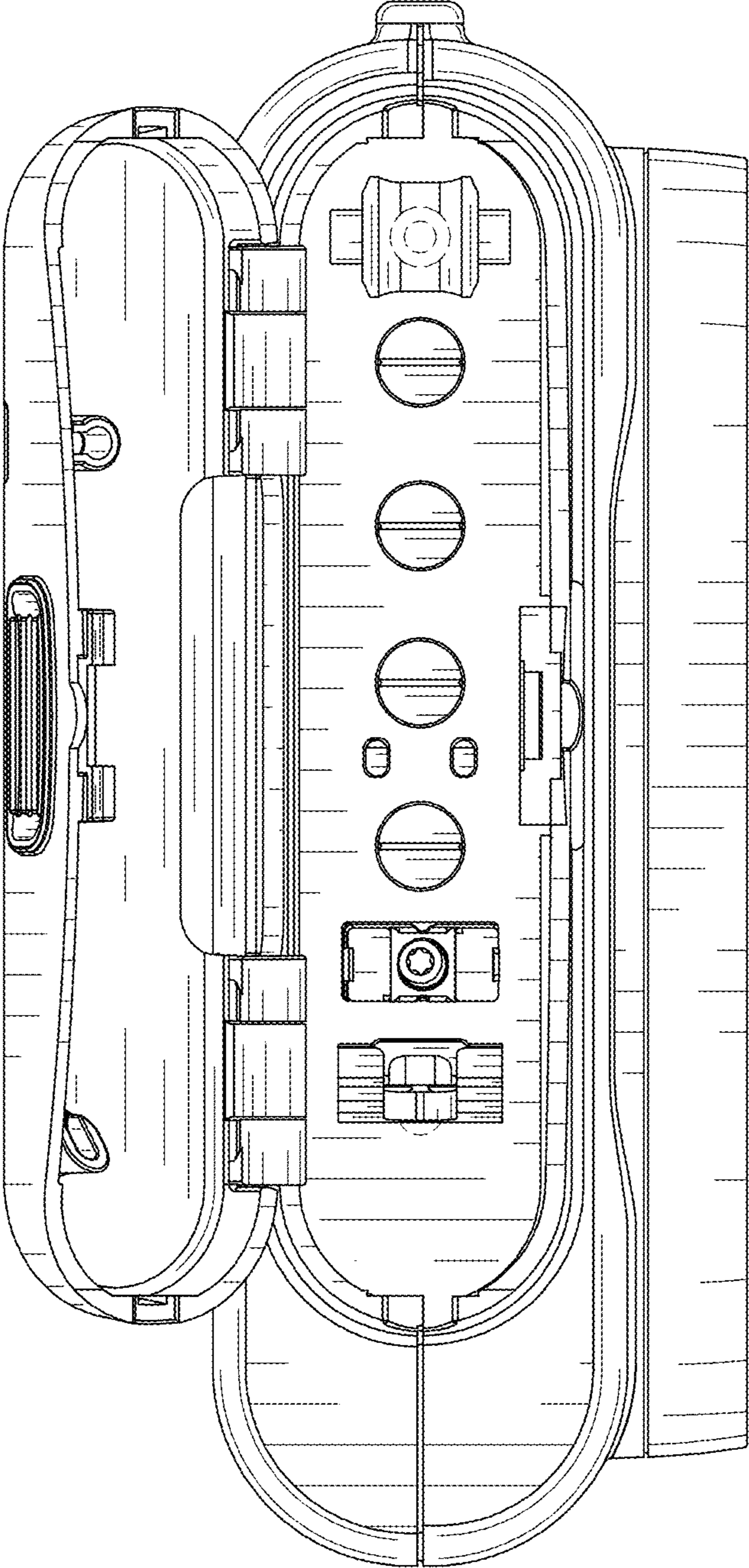


FIG.13

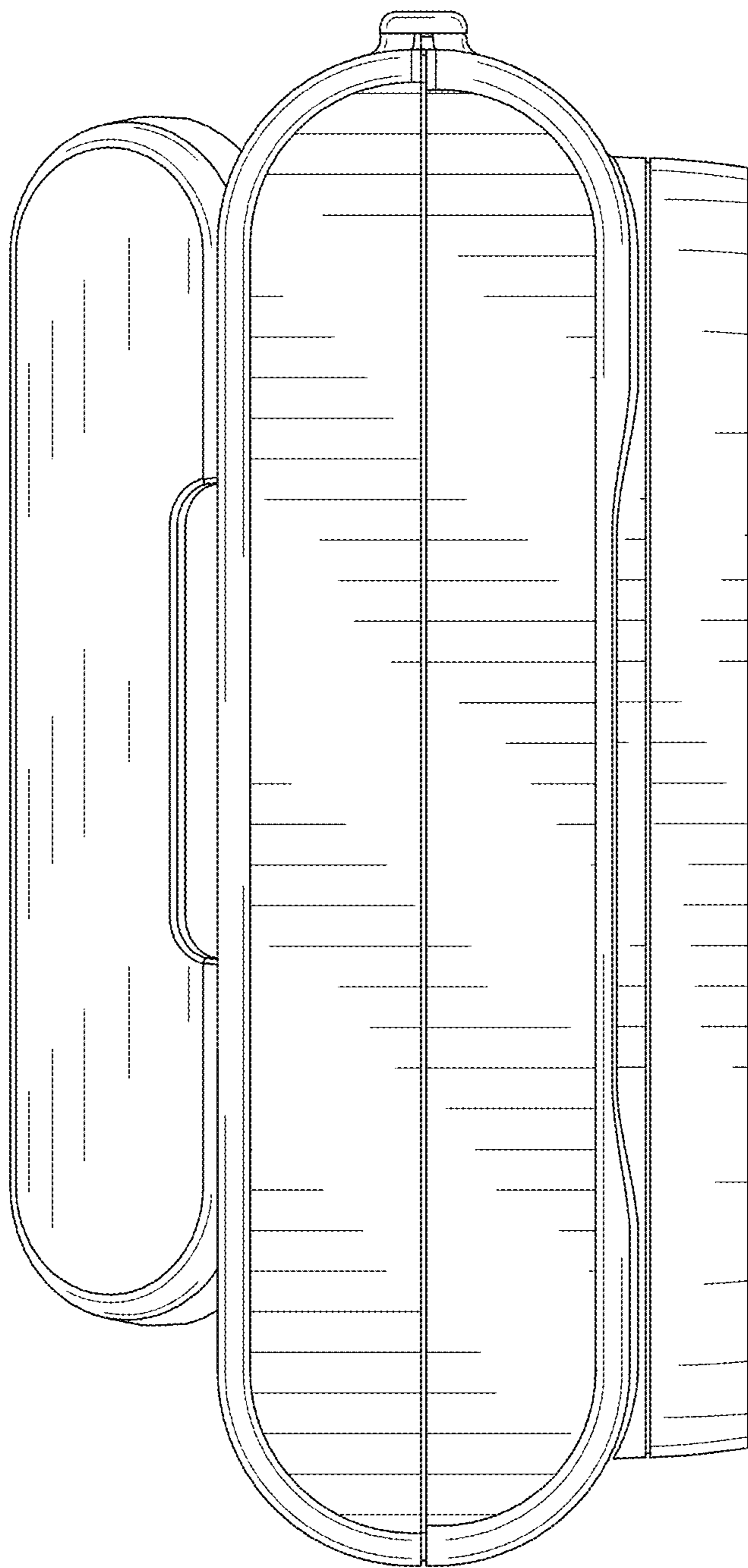


FIG.14