



US00D730512S

(12) **United States Design Patent**  
**Schaupp et al.**

(10) **Patent No.:** **US D730,512 S**  
(45) **Date of Patent:** **\*\* May 26, 2015**

(54) **HUB FOR RESPIRATORY MASK**

128/206.28, 207.11–207.13, 207.17,  
128/207.18; 2/171, 181, 255

(71) Applicant: **KONINKLIJKE PHILIPS N.V.**,  
Eindhoven (NL)

See application file for complete search history.

(72) Inventors: **Diane Marie Schaupp**, Pittsburgh, PA  
(US); **Jonathan Paul Todd**, Murrysville,  
PA (US)

(56) **References Cited**

U.S. PATENT DOCUMENTS

D613,853 S \* 4/2010 Ng et al. .... D24/110.1  
D693,000 S \* 11/2013 Shahaf ..... D24/110.4

(73) Assignee: **KONINKLIJKE PHILIPS N.V.**,  
Eindhoven (NL)

\* cited by examiner

(\*\*) Term: **14 Years**

*Primary Examiner* — Wan Laymon  
*Assistant Examiner* — Mark Booker

(21) Appl. No.: **29/476,450**

(57) **CLAIM**

The ornamental design for a hub for respiratory mask, as shown.

(22) Filed: **Dec. 13, 2013**

(30) **Foreign Application Priority Data**

**DESCRIPTION**

Jun. 13, 2013 (EM) ..... 002255174-0001

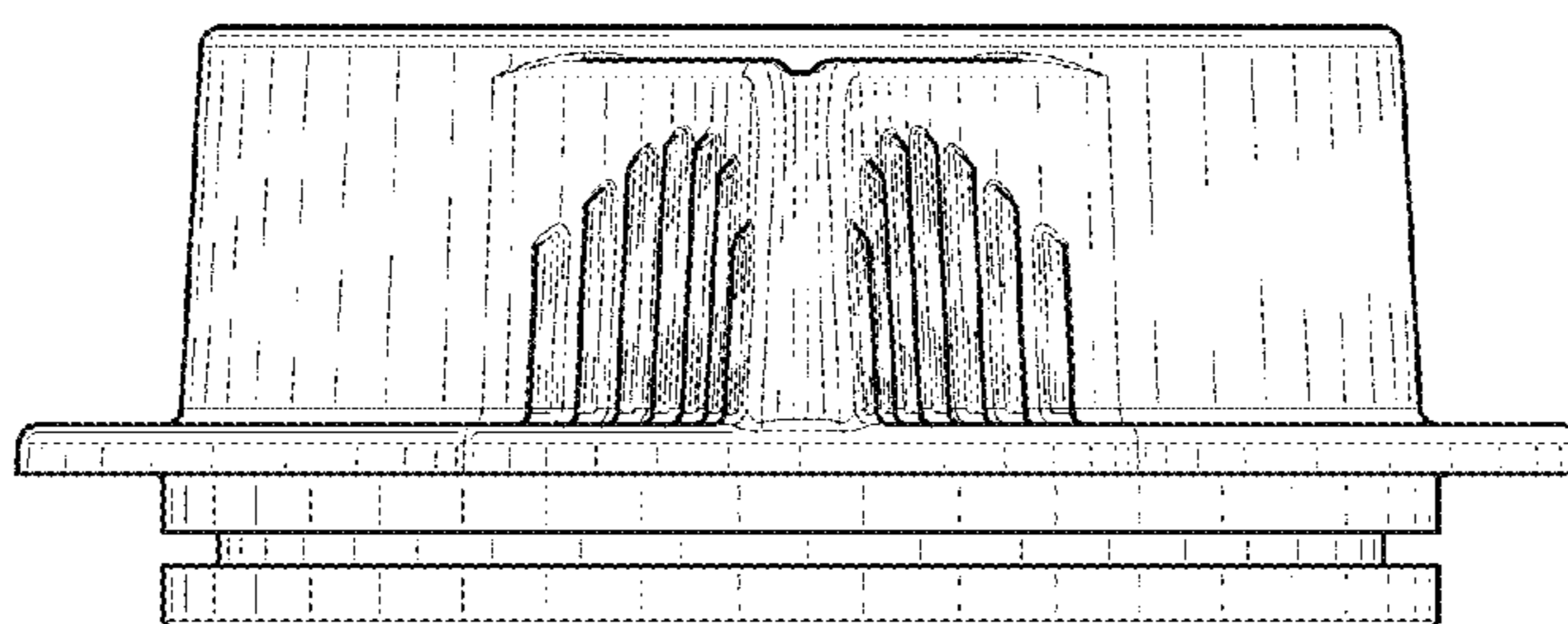
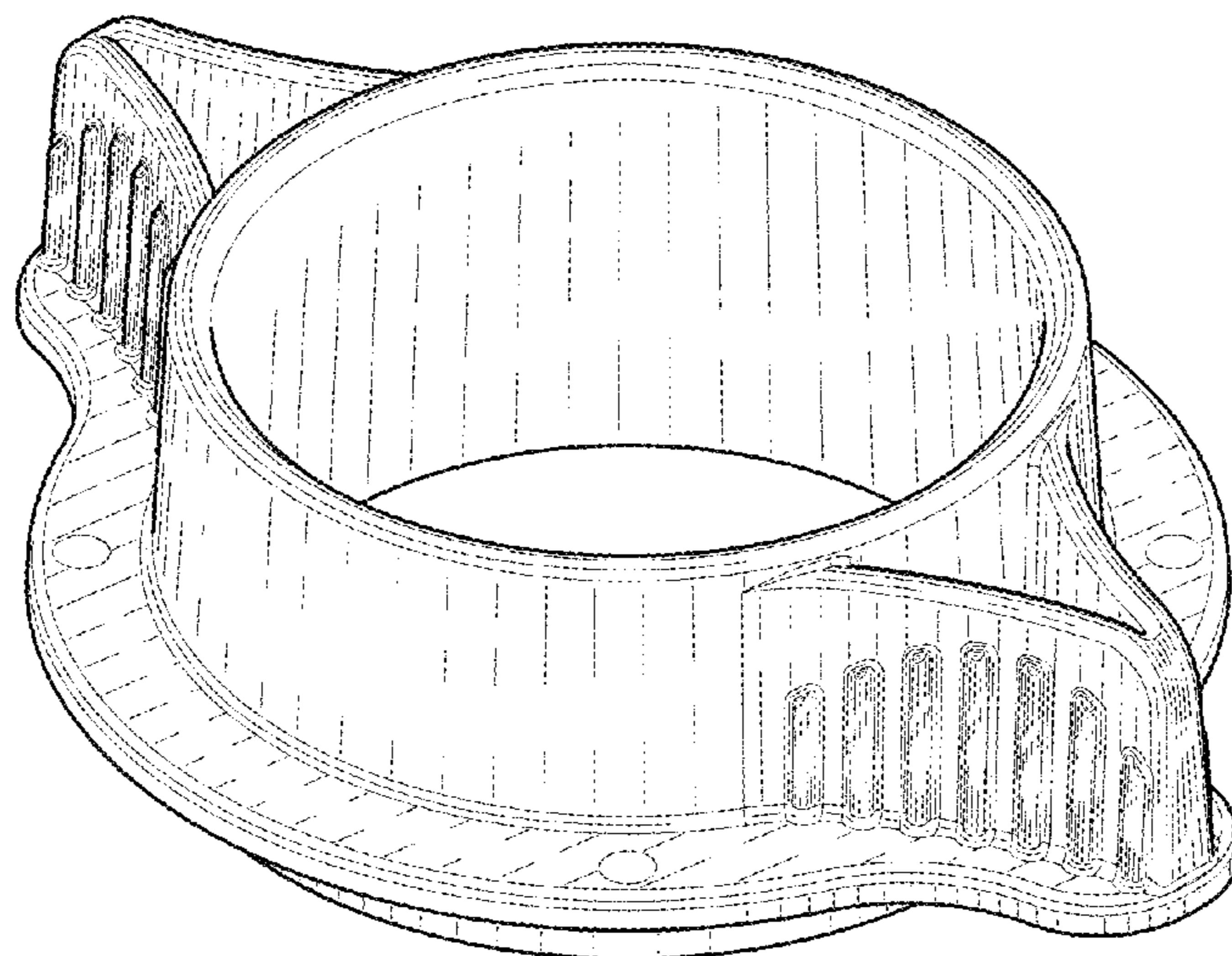
(51) **LOC (10) Cl.** ..... **29-02**

(52) **U.S. Cl.**  
USPC ..... **D24/110.4**

(58) **Field of Classification Search**  
USPC ..... D24/110.1–110.5; 128/202.27, 204.21,  
128/205.25, 205.27, 206.11–206.13,  
128/206.18, 206.21, 206.24, 206.27,

FIG. 1 is a perspective view showing my design;  
FIG. 2 is a front elevational view thereof;  
FIG. 3 is a rear elevational view thereof;  
FIG. 4 is a right side elevational view thereof;  
FIG. 5 is a left side elevational view thereof;  
FIG. 6 is a top plan view thereof; and,  
FIG. 7 is a bottom plan view thereof.

**1 Claim, 5 Drawing Sheets**



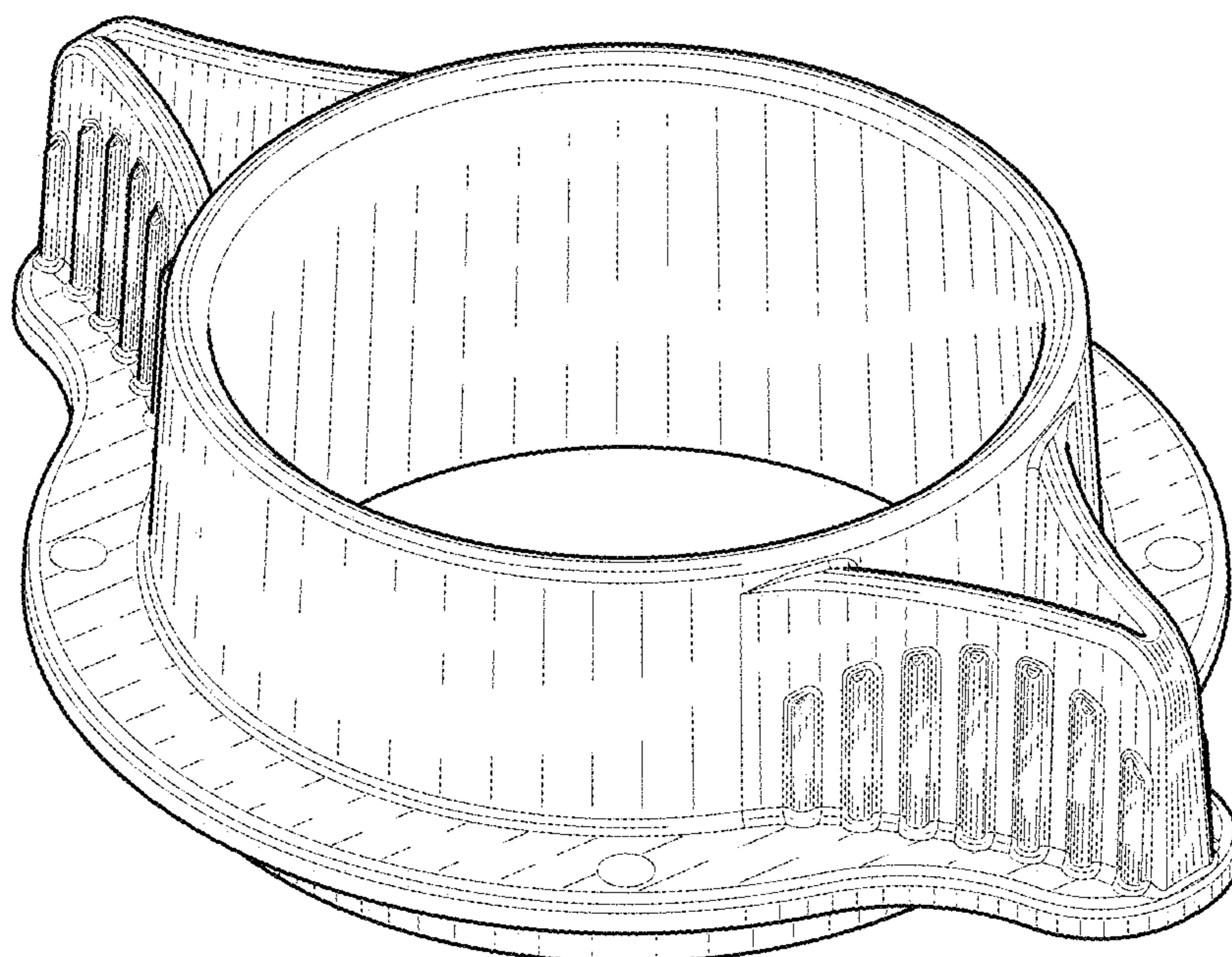


FIG. 1

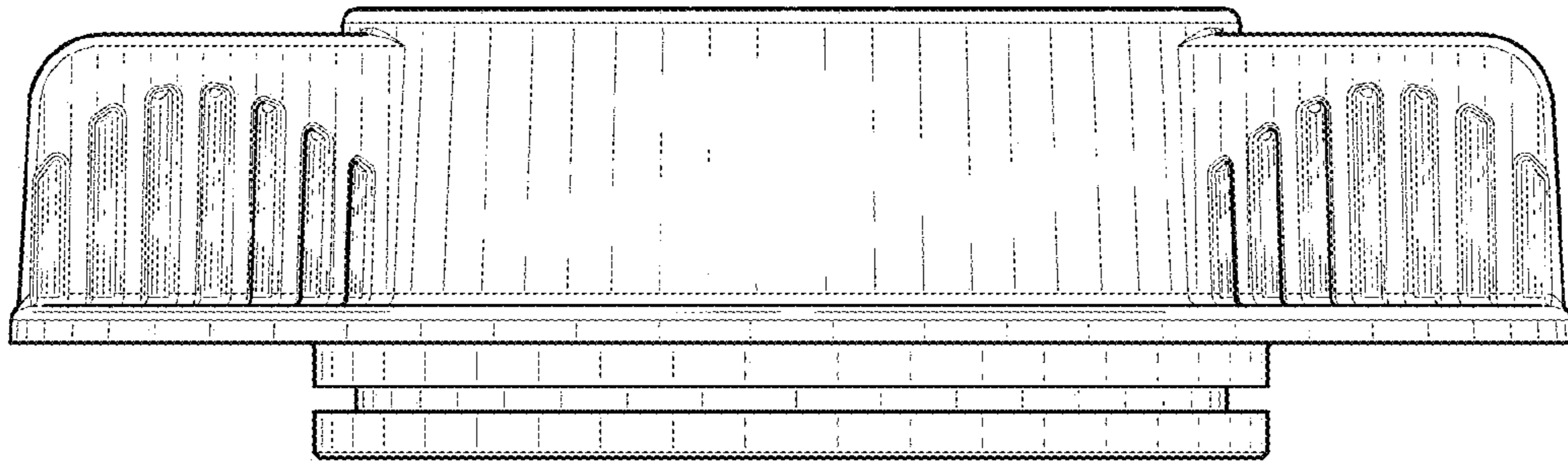


FIG. 2

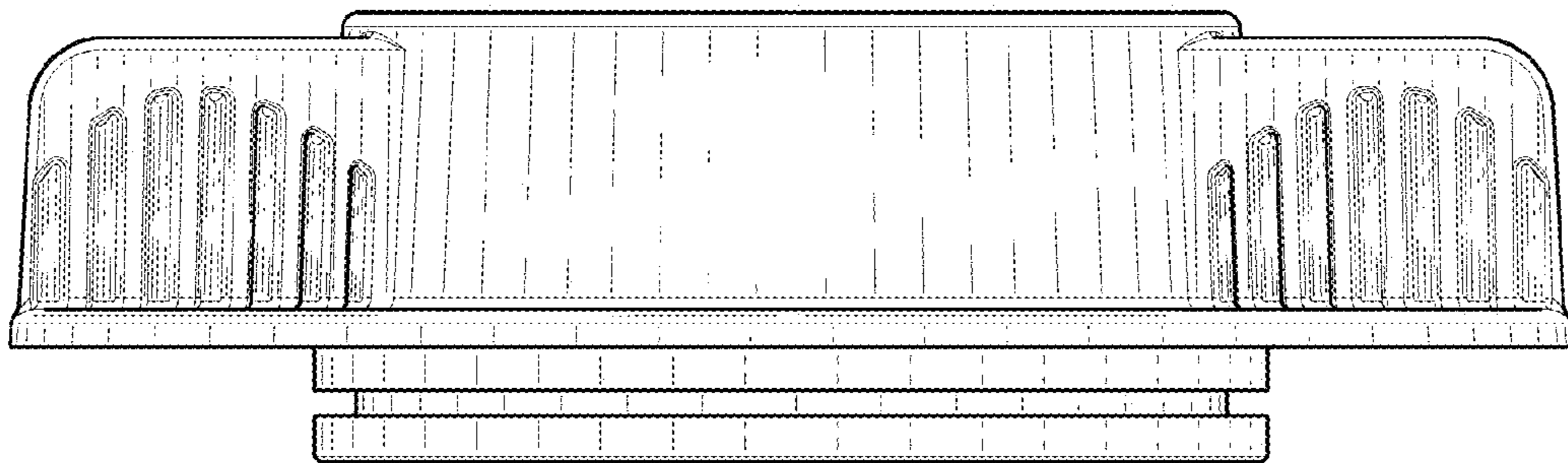


FIG. 3

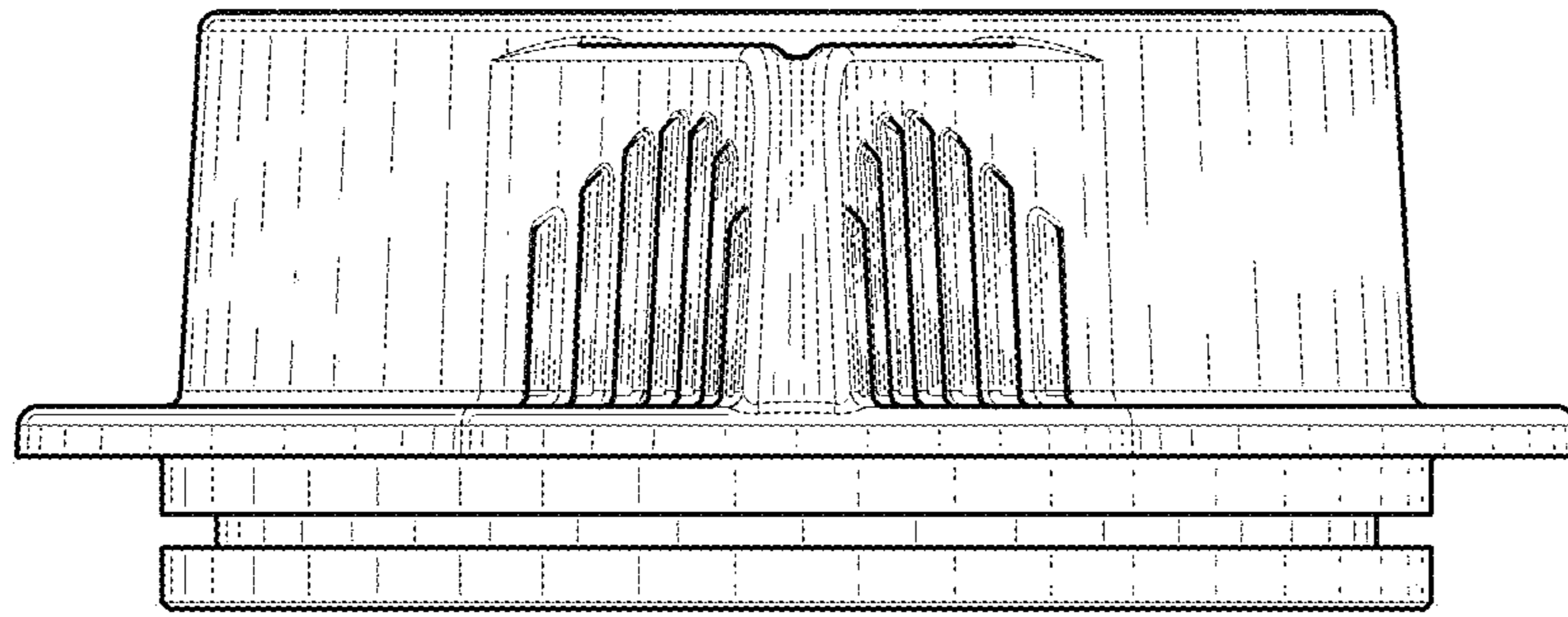


FIG. 4

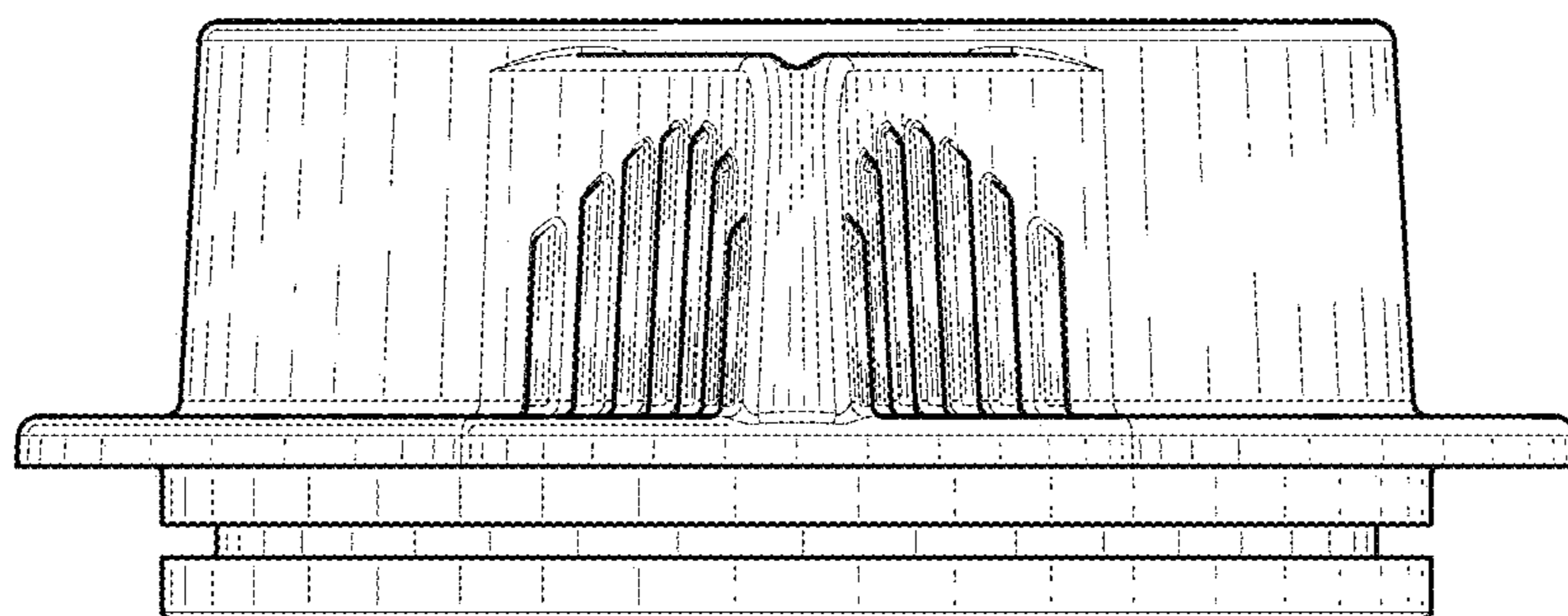


FIG. 5

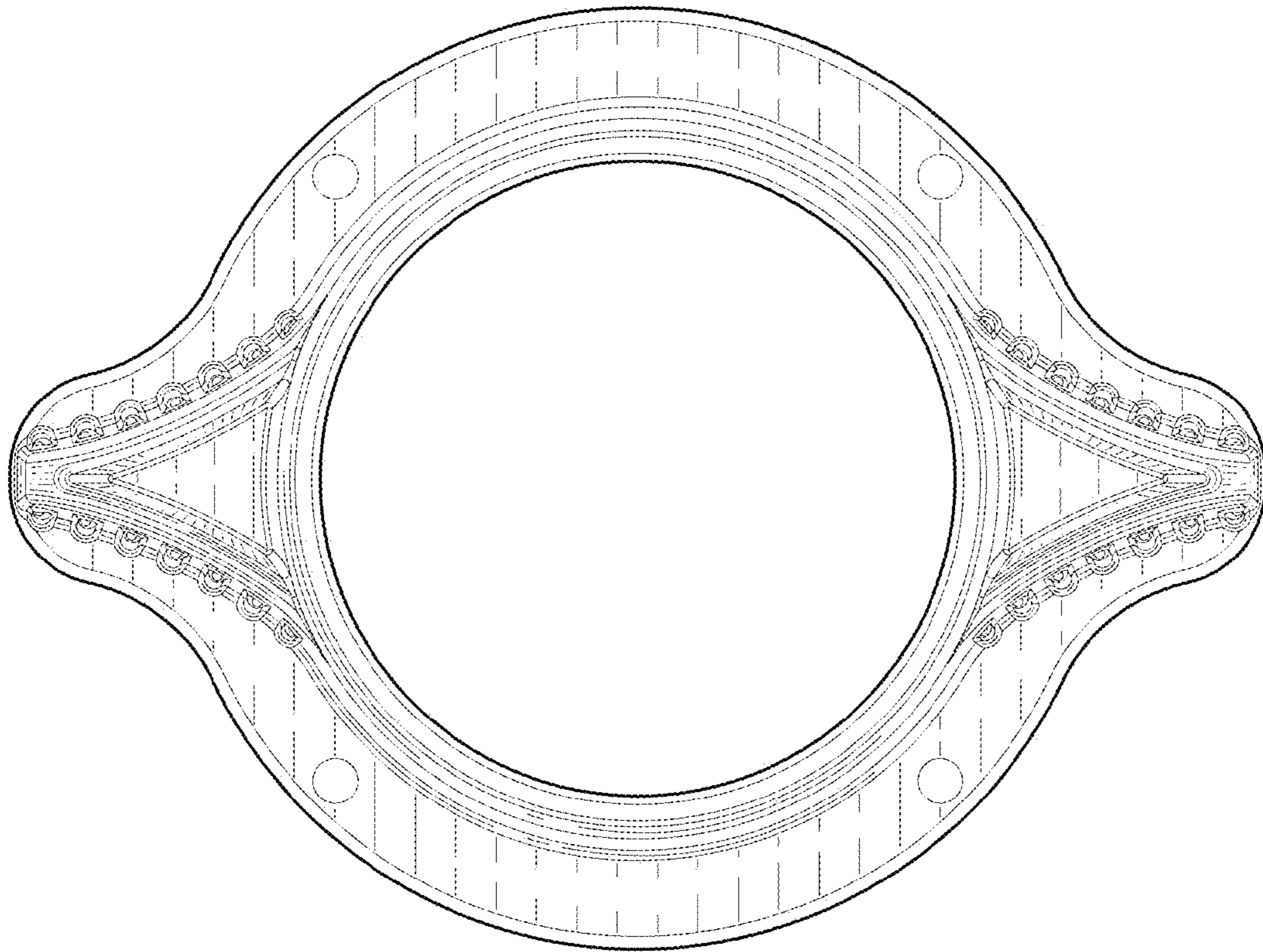


FIG. 6

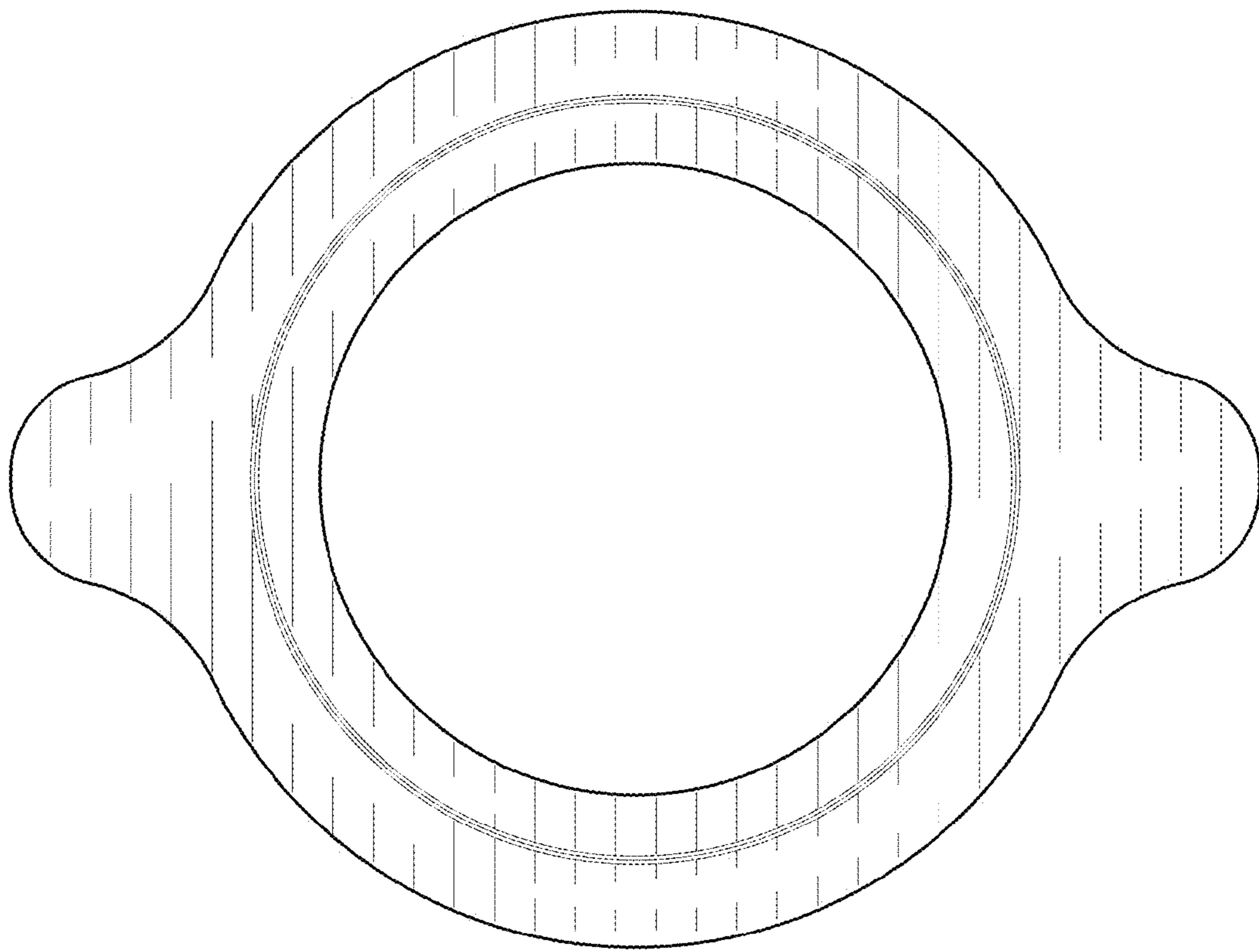


FIG. 7