



US00D730510S

(12) **United States Design Patent**
Schanzenbach

(10) **Patent No.:** **US D730,510 S**

(45) **Date of Patent:** **** May 26, 2015**

(54) **AIR VENT**

(71) Applicant: **STEGO-Holding GmbH**, Schwaebisch Hall (DE)

(72) Inventor: **Bernd Armin Schanzenbach**, Mainhardt Geisselhardt (DE)

(73) Assignee: **STEGO-Holding GmbH**, Schwaebisch Hall (DE)

(**) Term: **14 Years**

(21) Appl. No.: **29/472,398**

(22) Filed: **Nov. 12, 2013**

(30) **Foreign Application Priority Data**

May 14, 2013 (EM) 2236752

(51) **LOC (10) Cl.** **23-04**

(52) **U.S. Cl.**
USPC **D23/393**

(58) **Field of Classification Search**
USPC D23/385-395, 397, 370-373, 365, 351,
D23/354, 399-403, 421, 499; 454/309,
454/275-277, 284, 287-291, 358-363;
52/302.1, 32.07; 285/229, 189, 183,
285/123.1, 15, 114, 110, 424, 197; 165/59;
34/97

See application file for complete search history.

(56) **References Cited**

U.S. PATENT DOCUMENTS

D338,542 S * 8/1993 Yuen D26/42
5,333,787 A * 8/1994 Smith et al. 239/227
5,473,824 A * 12/1995 Prehodka 34/97
5,522,704 A 6/1996 Casteel
D375,348 S * 11/1996 Varrigan D23/335
5,640,781 A 6/1997 Carson
5,839,204 A * 11/1998 Cinque et al. 34/97
D538,922 S * 3/2007 Graham D23/386

D570,981 S * 6/2008 McClelland D23/370
D610,244 S * 2/2010 Gabbara D23/370
8,037,619 B2 * 10/2011 Liu 34/218
D670,146 S * 11/2012 Coley D8/29.1
8,434,238 B2 * 5/2013 Gross et al. 34/96
D692,111 S * 10/2013 Wagner et al. D23/304

(Continued)

FOREIGN PATENT DOCUMENTS

DE 295 17 962 U1 1/1996
DE 10 2010 061 555 B3 4/2012
DE 10 2012 100 974 B4 10/2013

(Continued)

OTHER PUBLICATIONS

International Search Report for PCT Application No. PCT/EP2013/000370, dated Apr. 29, 2013, 3 pages.

(Continued)

Primary Examiner — David Muller

(74) *Attorney, Agent, or Firm* — Westman, Champlin & Koehler, P.A.

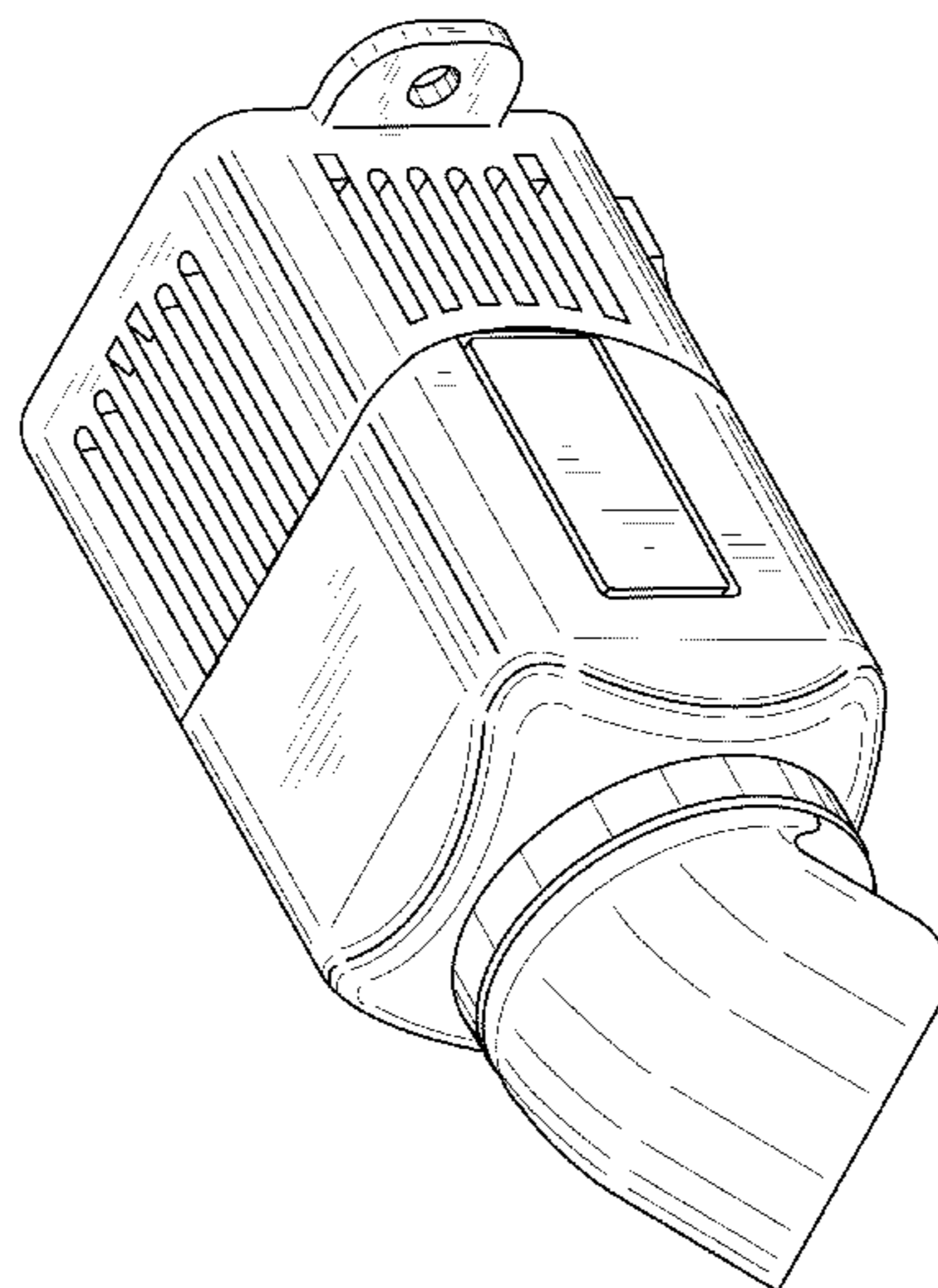
(57) **CLAIM**

The ornamental design for an air vent, as shown and described.

DESCRIPTION

FIG. 1 is a front perspective view of the air vent;
FIG. 2 is a front elevation view thereof;
FIG. 3 is a rear elevation view thereof;
FIG. 4 is a right side elevation view thereof;
FIG. 5 is a left side elevation view thereof;
FIG. 6 is a top plan view thereof; and,
FIG. 7 is a bottom plan view thereof.
The broken line showing of parts of the drawings is included for the purpose of illustrating use and environment and forms no part of the claimed design.

1 Claim, 7 Drawing Sheets



(56)

References Cited

U.S. PATENT DOCUMENTS

2004/0216739 A1* 11/2004 Fini 128/204.17
2005/0092888 A1 5/2005 Gonce

FOREIGN PATENT DOCUMENTS

EP 1542324 A1 6/2005
EP 2 118 968 B1 12/2010
ES 002233734-0001 5/2013
JP 7-162167 6/1995

JP 2008177597 7/2008
JP 2009290018 10/2009
RU 96-0630 2/1997
WO 2010/100451 A1 9/2010
WO 2013/117338 A1 8/2013

OTHER PUBLICATIONS

Office Action for German Patent Application No. DE 10 2012 100 974.0, dated Aug. 8, 2012, 6 pages.
Office Action from corresponding Russian Design application No. 2013 504 332, dated Oct. 9, 2014.

* cited by examiner

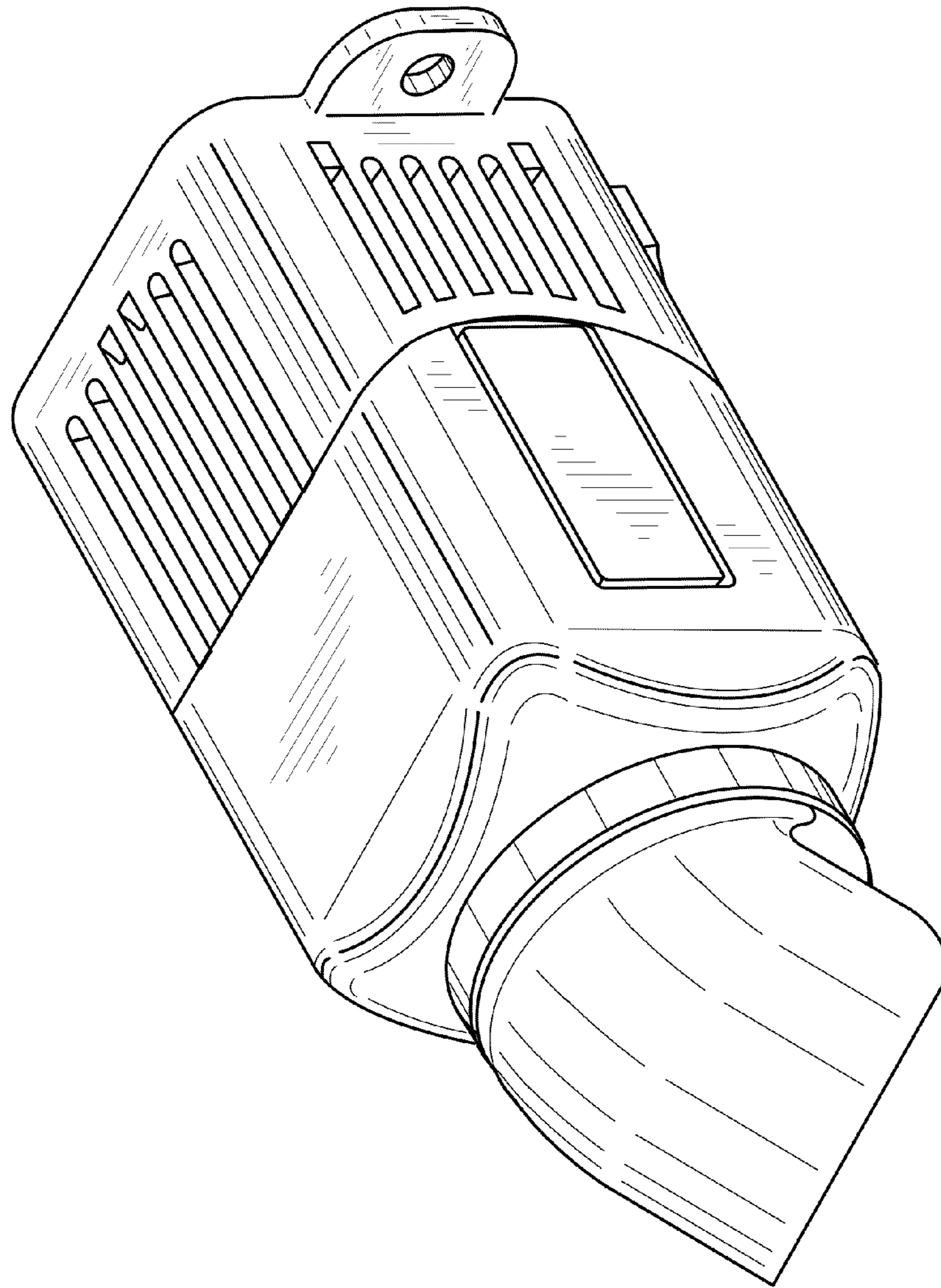


FIG. 1

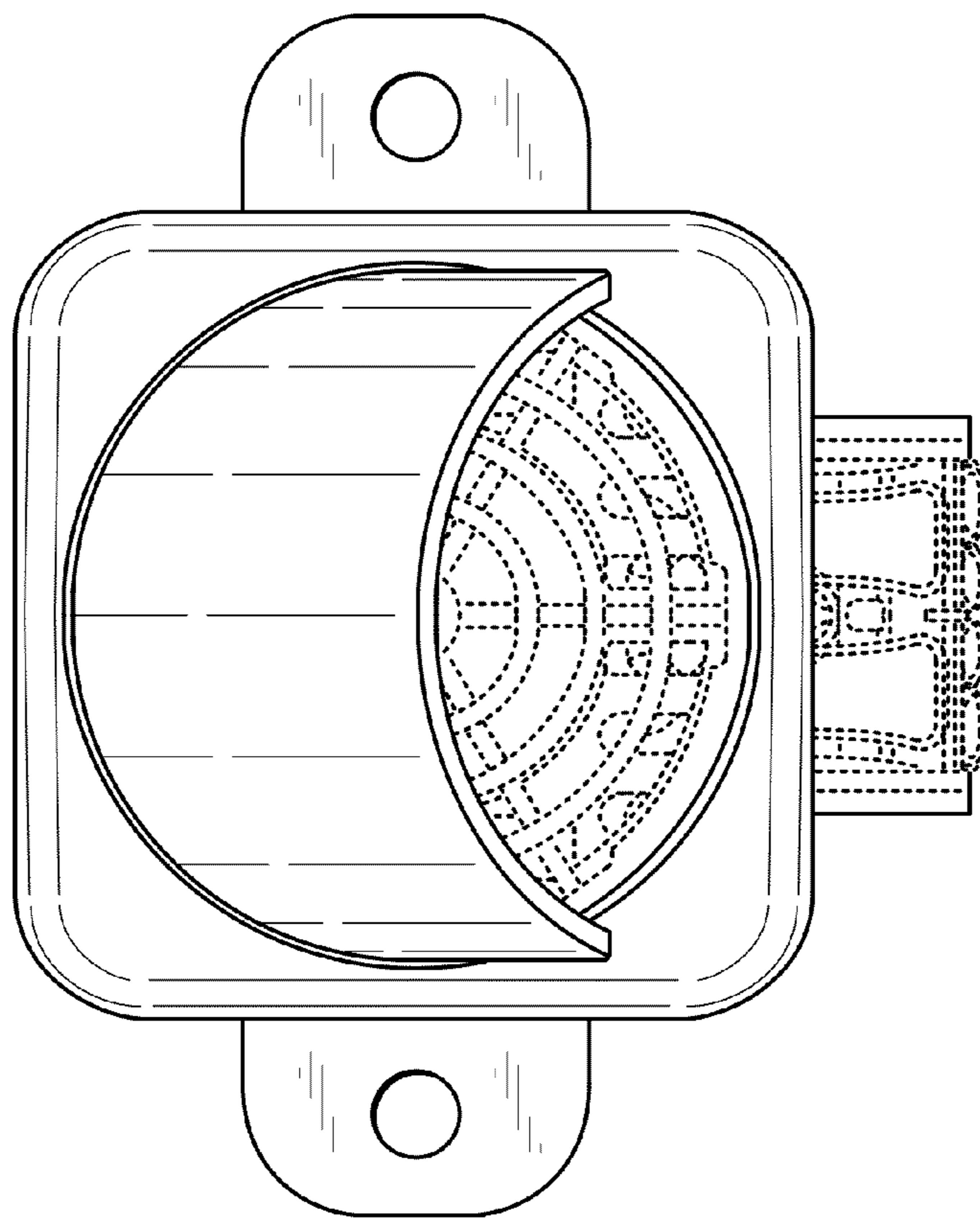


FIG. 2

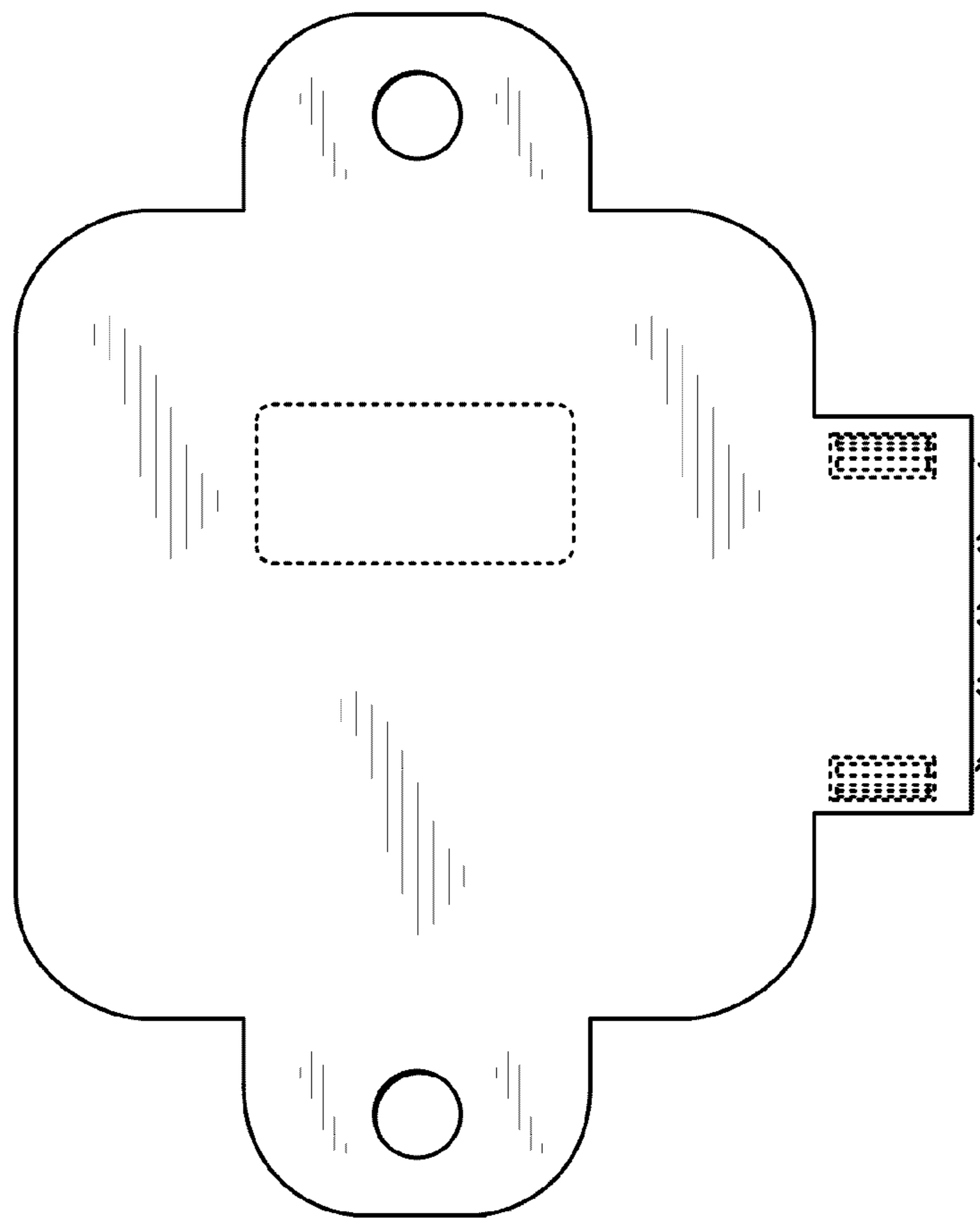


FIG. 3

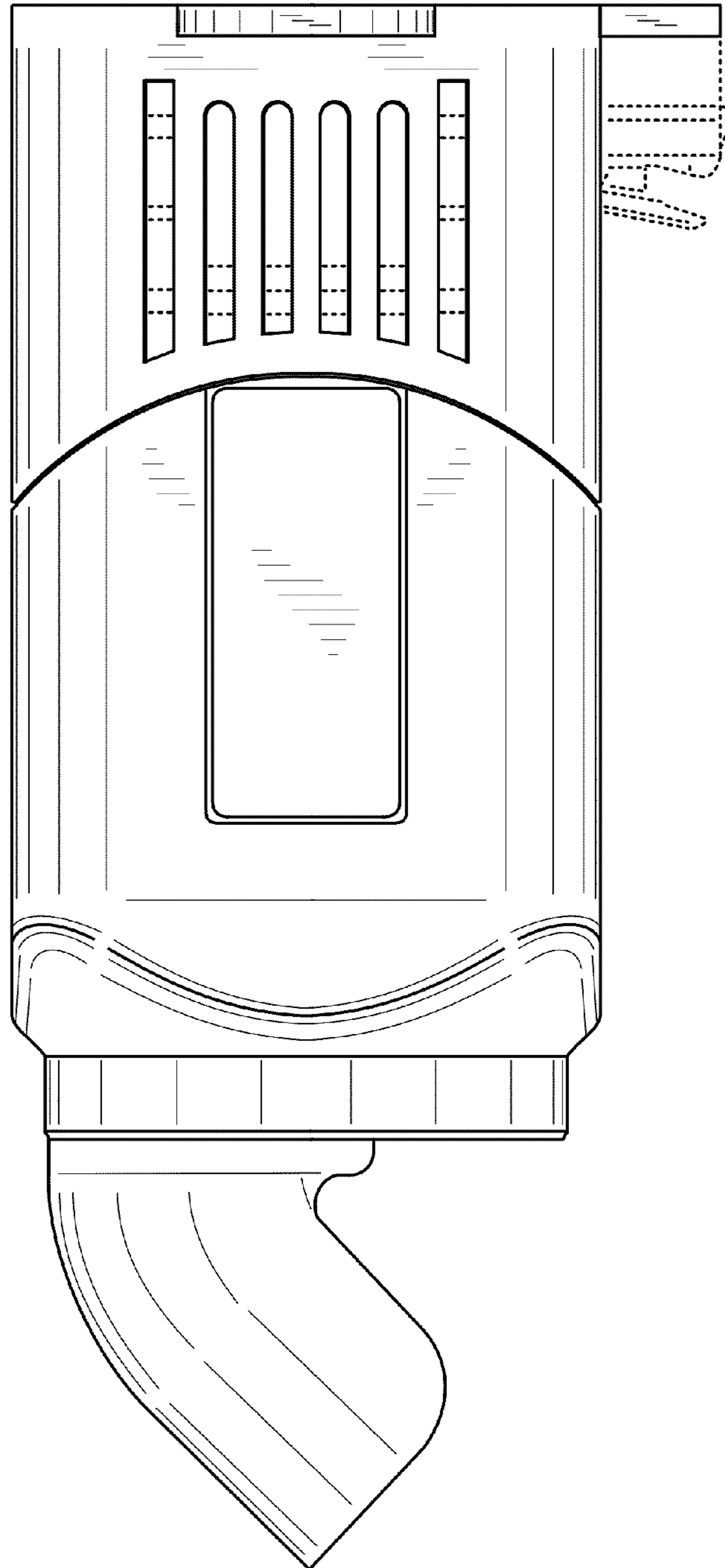


FIG. 4

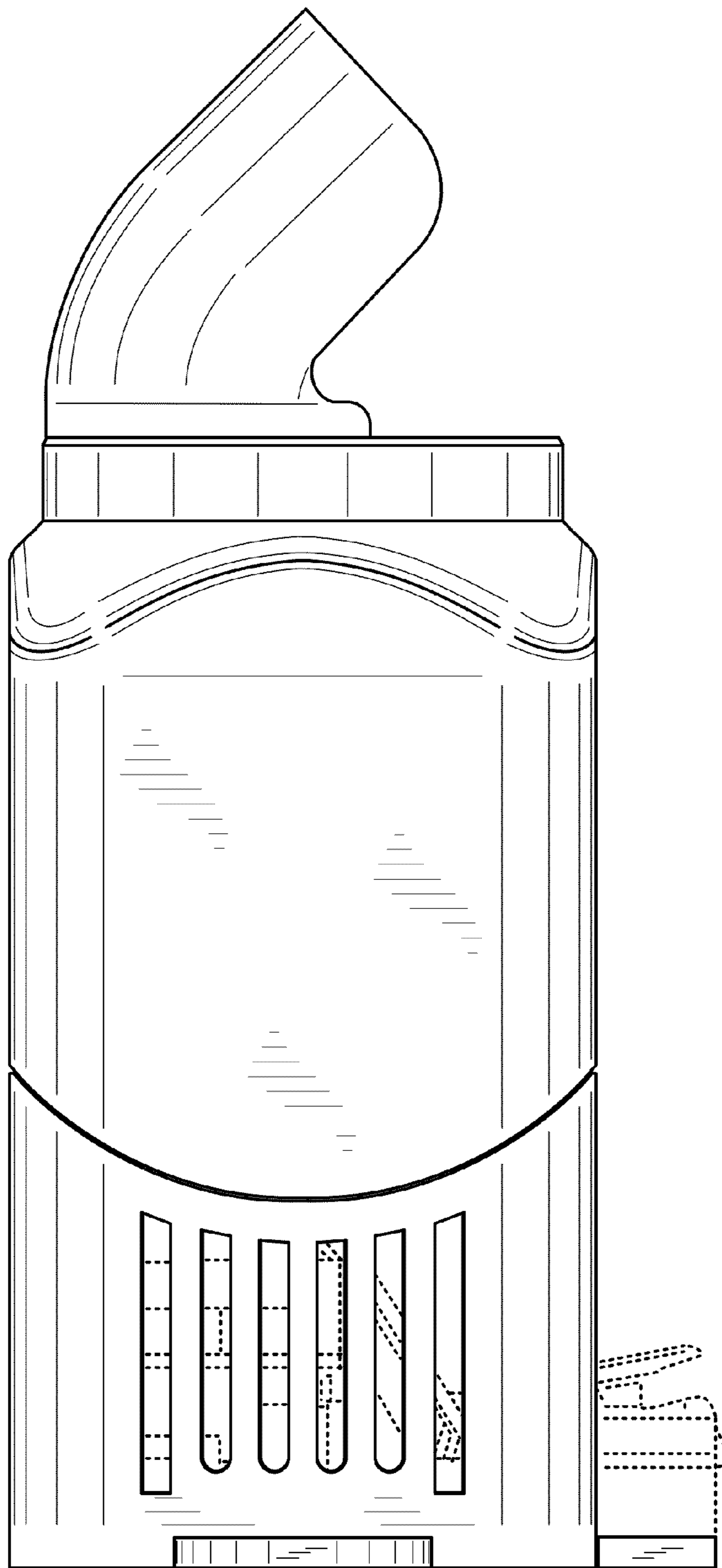


FIG. 5

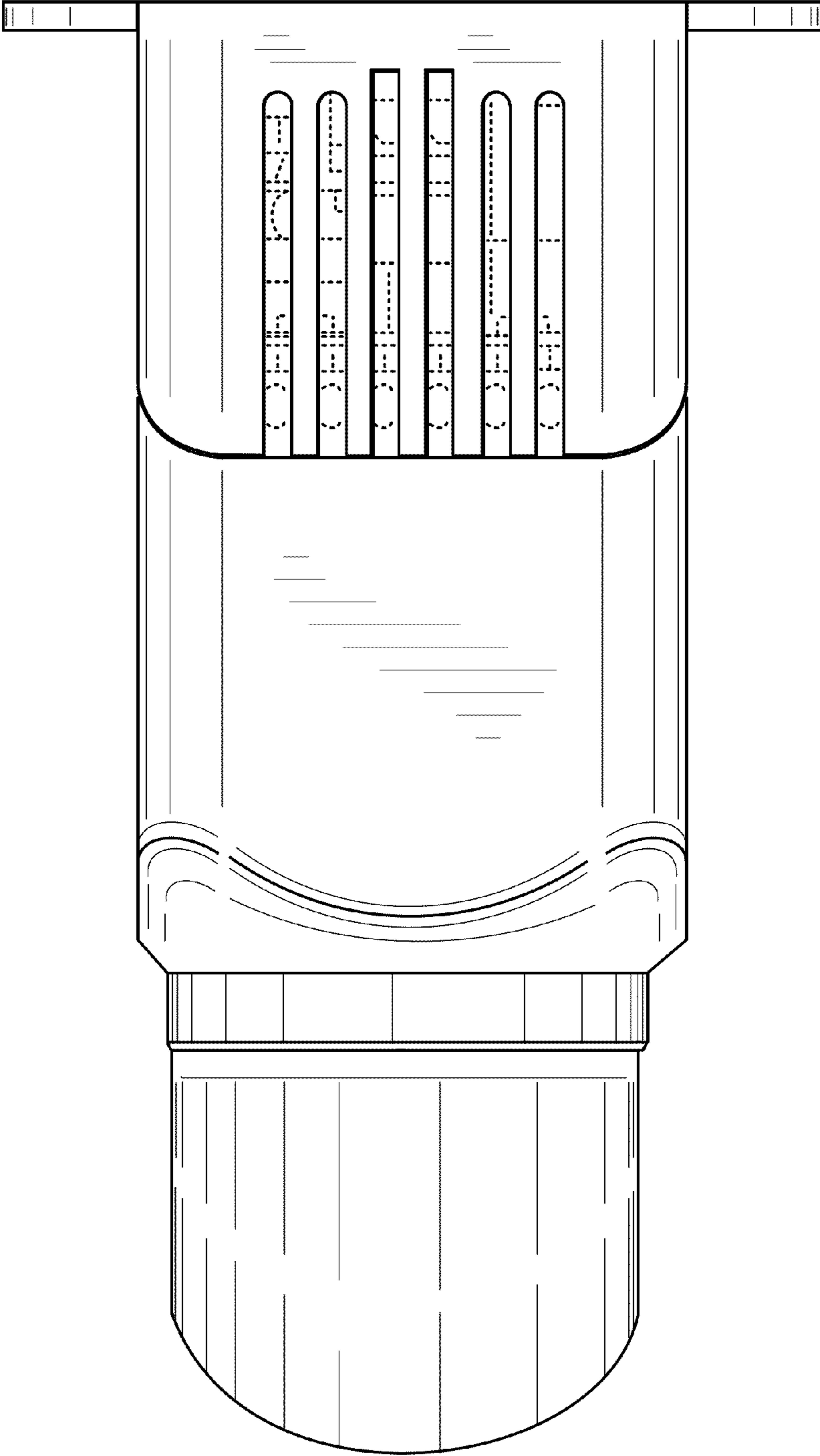


FIG. 6

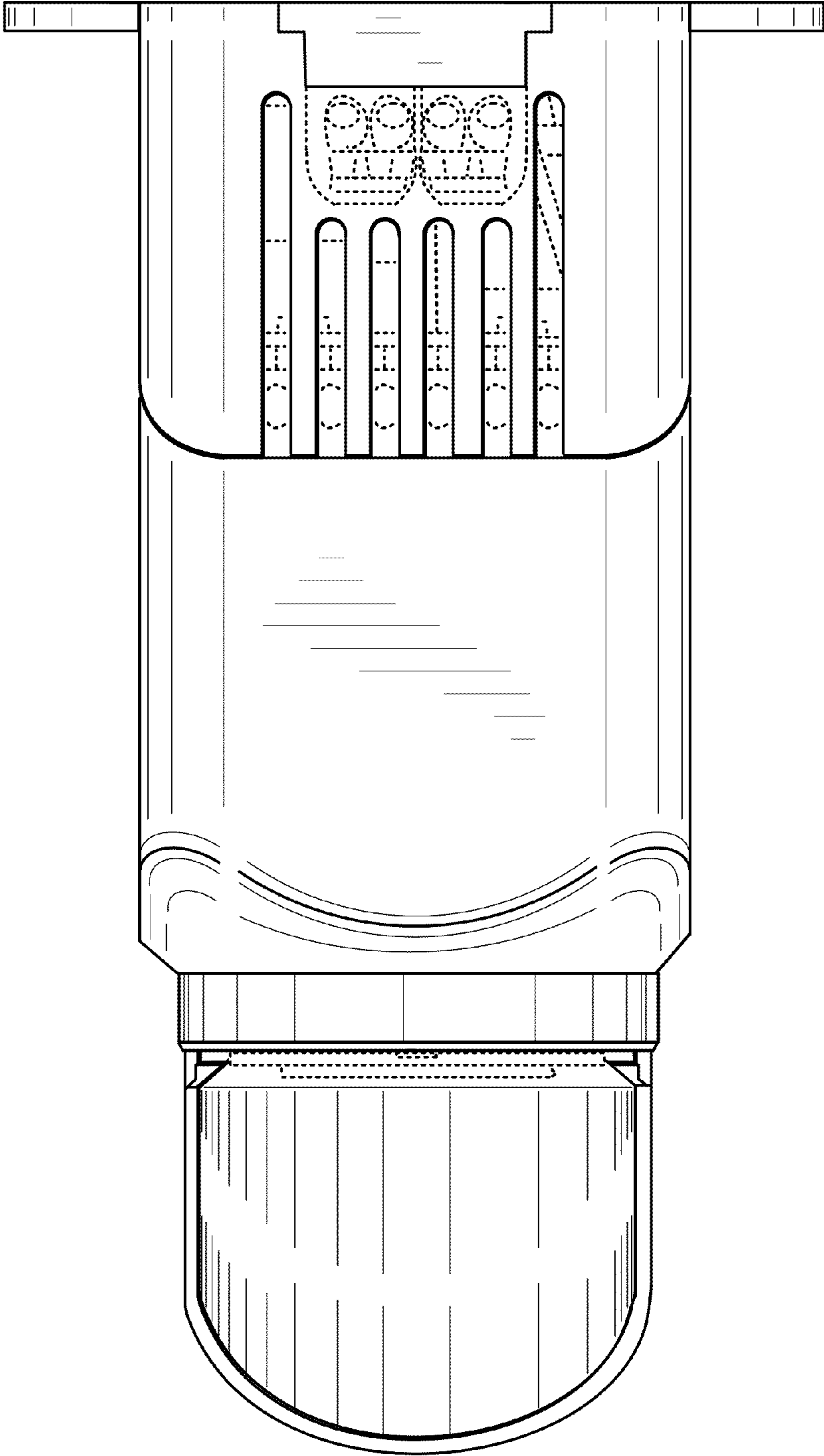


FIG. 7