



US00D730507S

(12) **United States Design Patent**  
**Börjesson**

(10) **Patent No.:** **US D730,507 S**

(45) **Date of Patent:** **\*\* May 26, 2015**

(54) **HOOD**

(71) Applicant: **Electrolux Home Products Corporation N.V., Brussels (BE)**

(72) Inventor: **Per Börjesson, Porcia (IT)**

(73) Assignee: **Electrolux Home Products Corporation N.V., Brussels (BG)**

(\*\*) Term: **14 Years**

(21) Appl. No.: **29/434,336**

(22) Filed: **Oct. 11, 2012**

(30) **Foreign Application Priority Data**

Apr. 11, 2012 (EM) ..... 002023747

(51) **LOC (10) Cl.** ..... **23-04**

(52) **U.S. Cl.**  
USPC ..... **D23/372**

(58) **Field of Classification Search**  
USPC ..... D23/370-385, 411-414, 365; 415/60, 415/66, 68, 208.1, 213.1, 214.1; 310/257; 361/695; 126/299 D, 299 R  
See application file for complete search history.

(56) **References Cited**

**U.S. PATENT DOCUMENTS**

D471,268 S *	3/2003	Segers	.....	D23/372
D487,505 S *	3/2004	Grobleben	.....	D23/371
D490,887 S *	6/2004	Segers	.....	D23/372
D516,694 S *	3/2006	Vetter	.....	D23/372
D516,695 S *	3/2006	Vetter	.....	D23/372
D527,088 S *	8/2006	Hendrickx	.....	D23/372
D566,821 S *	4/2008	Wilsdorf	.....	D23/372
D576,264 S *	9/2008	Grobleben	.....	D23/372
D610,668 S *	2/2010	Grey	.....	D23/372

D621,022 S *	8/2010	Funnell	.....	D23/372
D621,023 S *	8/2010	Funnell et al.	.....	D23/372
D643,917 S *	8/2011	Klunker	.....	D23/371
D651,705 S *	1/2012	Klunker	.....	D23/371
8,286,626 B2 *	10/2012	Grobleben et al.	.....	126/299 R

\* cited by examiner

*Primary Examiner* — Susan Bennett Hattan

*Assistant Examiner* — Janice Hallmark

(74) *Attorney, Agent, or Firm* — Banner & Witcoff, Ltd.

(57) **CLAIM**

The ornamental design for a hood, as shown and described.

**DESCRIPTION**

FIG. 1 is a front perspective view of a hood, showing my new design, the broken lines depicting portions of the hood that form no part of the claimed design;

FIG. 2 is a front view thereof;

FIG. 3 is a rear view thereof, the broken lines depicting portions of the hood that form no part of the claimed design;

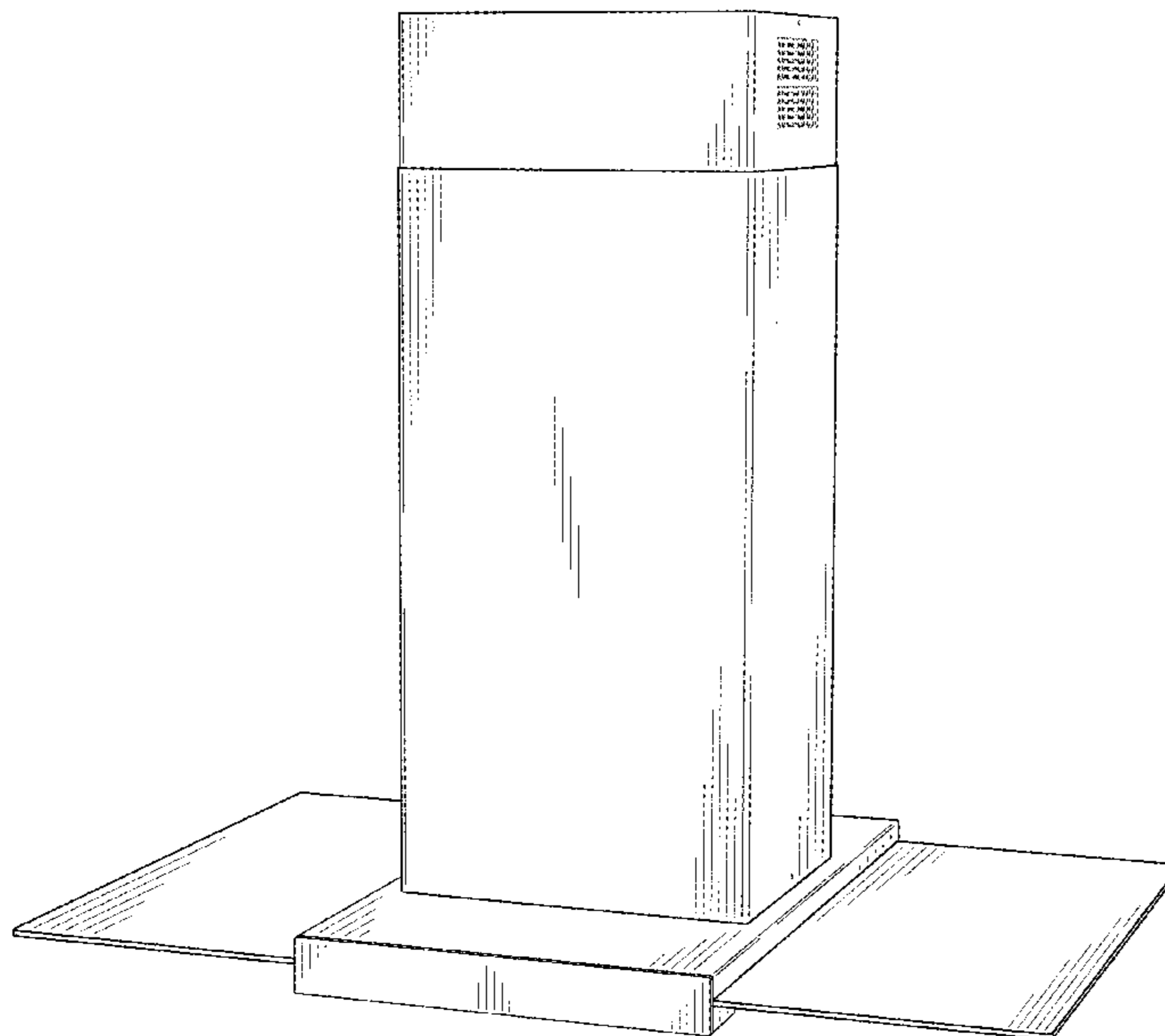
FIG. 4 is a bottom view thereof, the broken lines positioned adjacent to the solid line rectangle indicate the bounds of the claim end at the solid line rectangle and form no part of the claimed design;

FIG. 5 is a top view thereof, the broken lines positioned adjacent to the solid line rectangle indicate the bounds of the claim end at the solid line rectangle, and all other broken lines depict portions of the hood. All broken lines form no part of the claimed design;

FIG. 6 is a right side view thereof, the broken lines depicting portions of the hood that form no part of the claimed design; and,

FIG. 7 is a left side view thereof, the broken lines depicting portions of the hood that form no part of the claimed design.

**1 Claim, 7 Drawing Sheets**





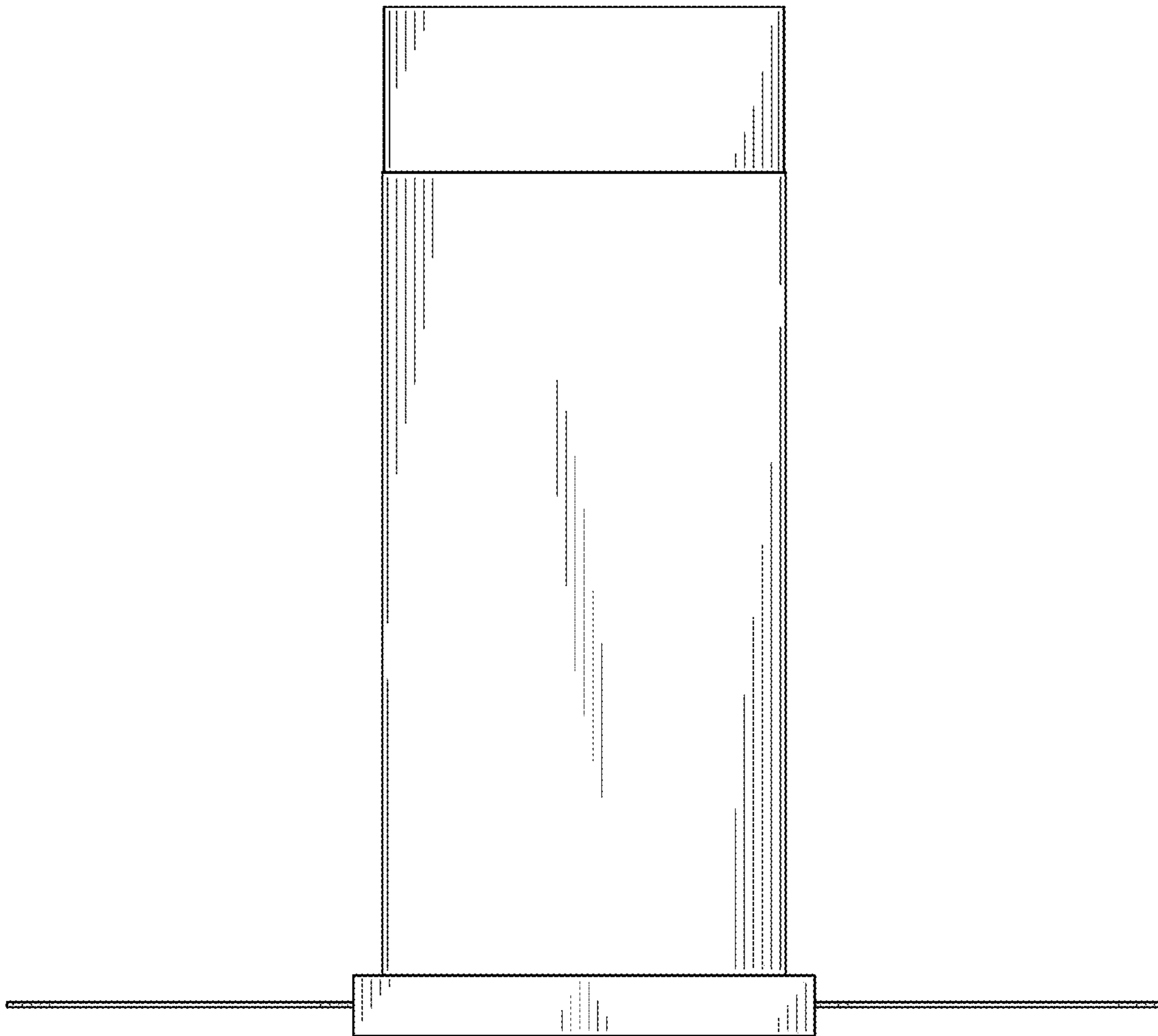


FIG. 2

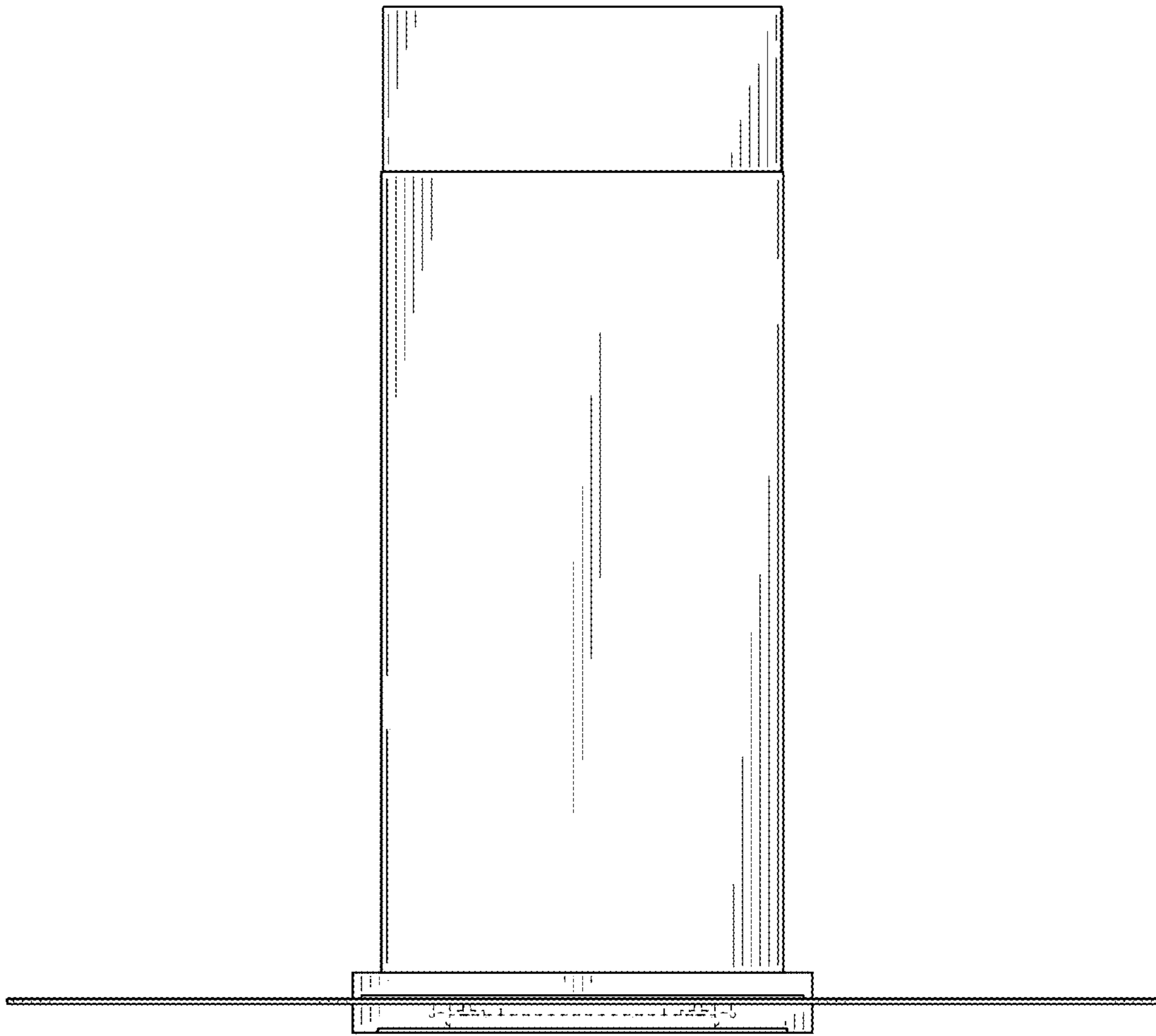


FIG. 3

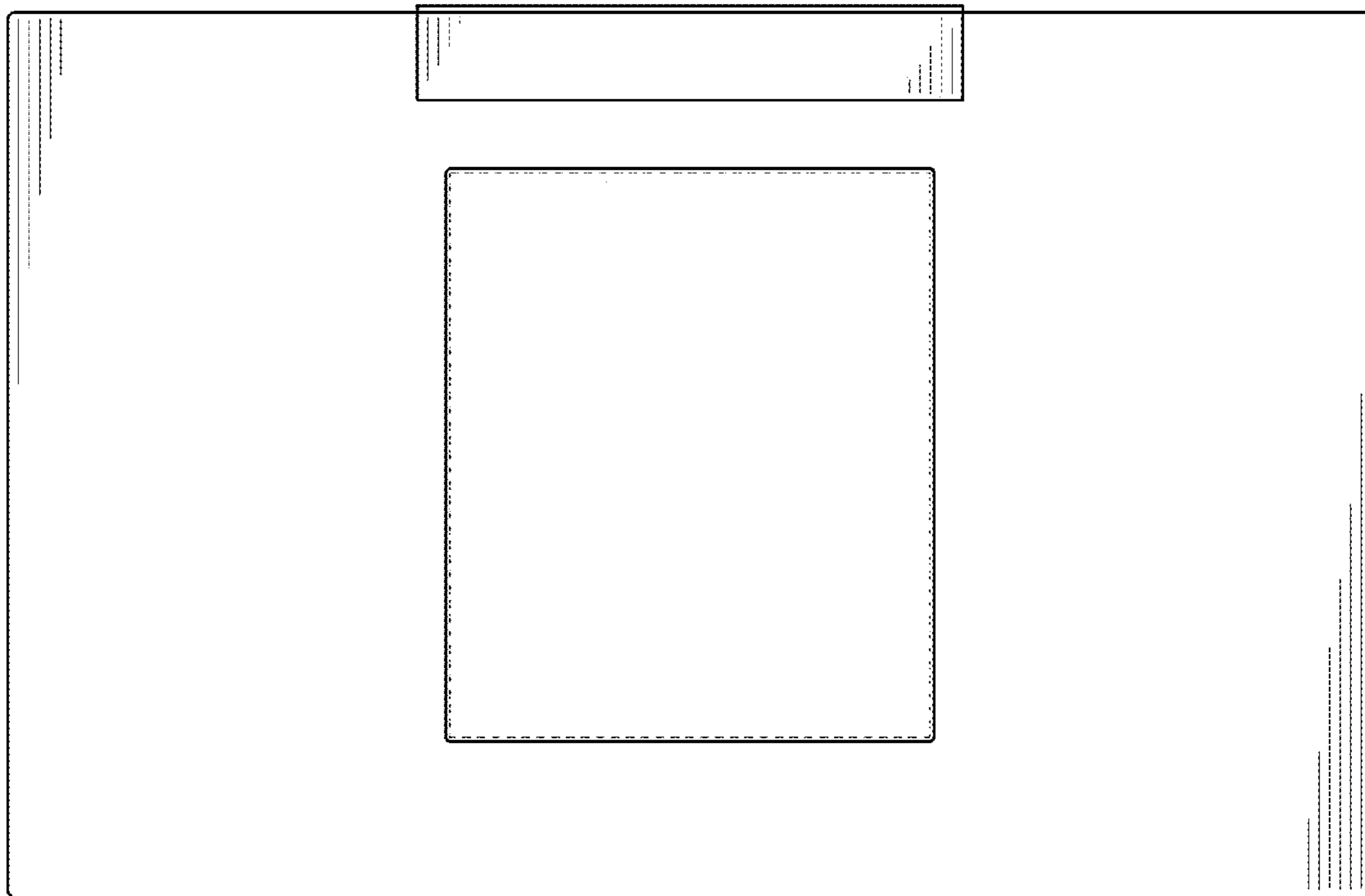


FIG. 4

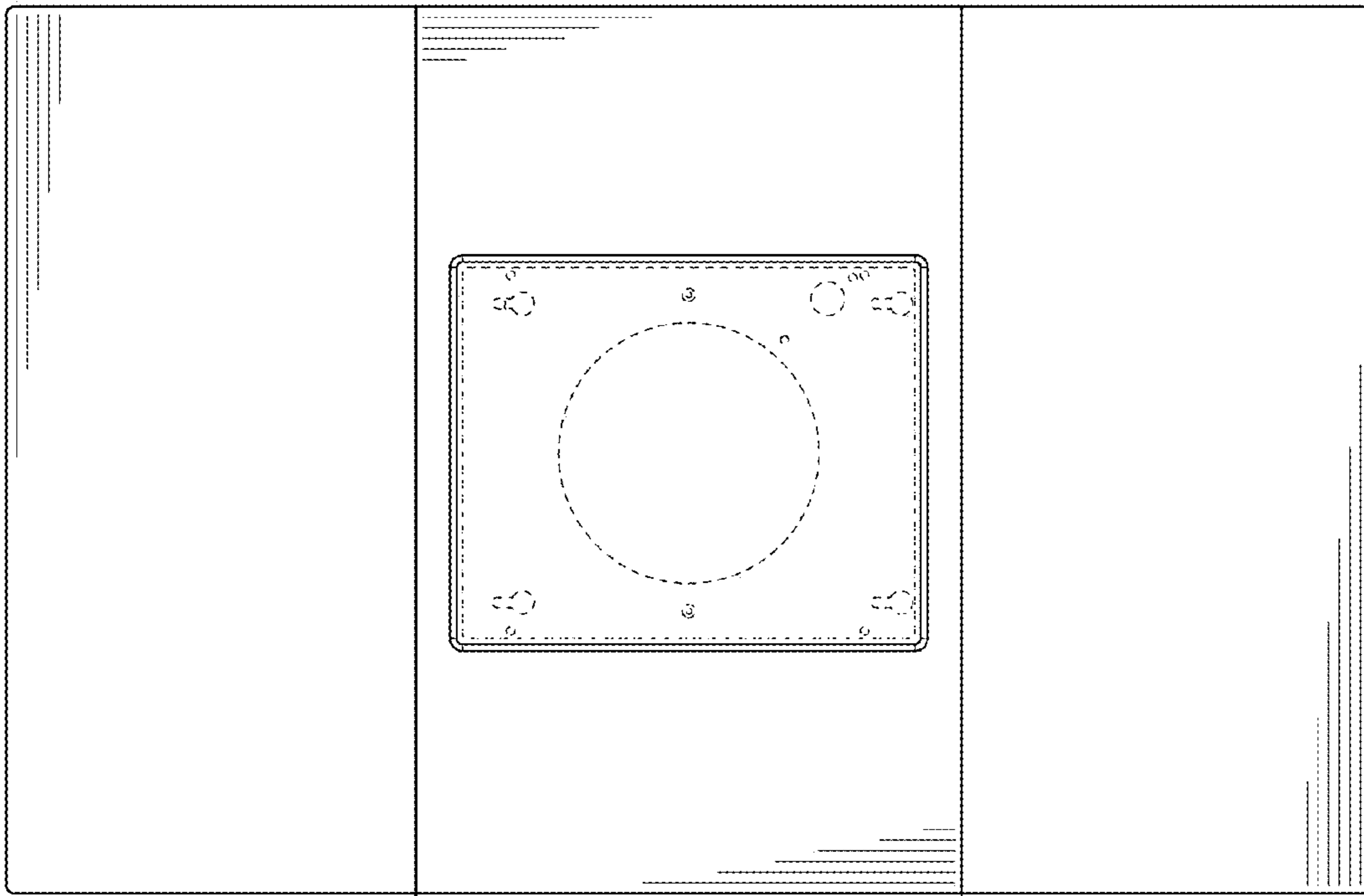


FIG. 5

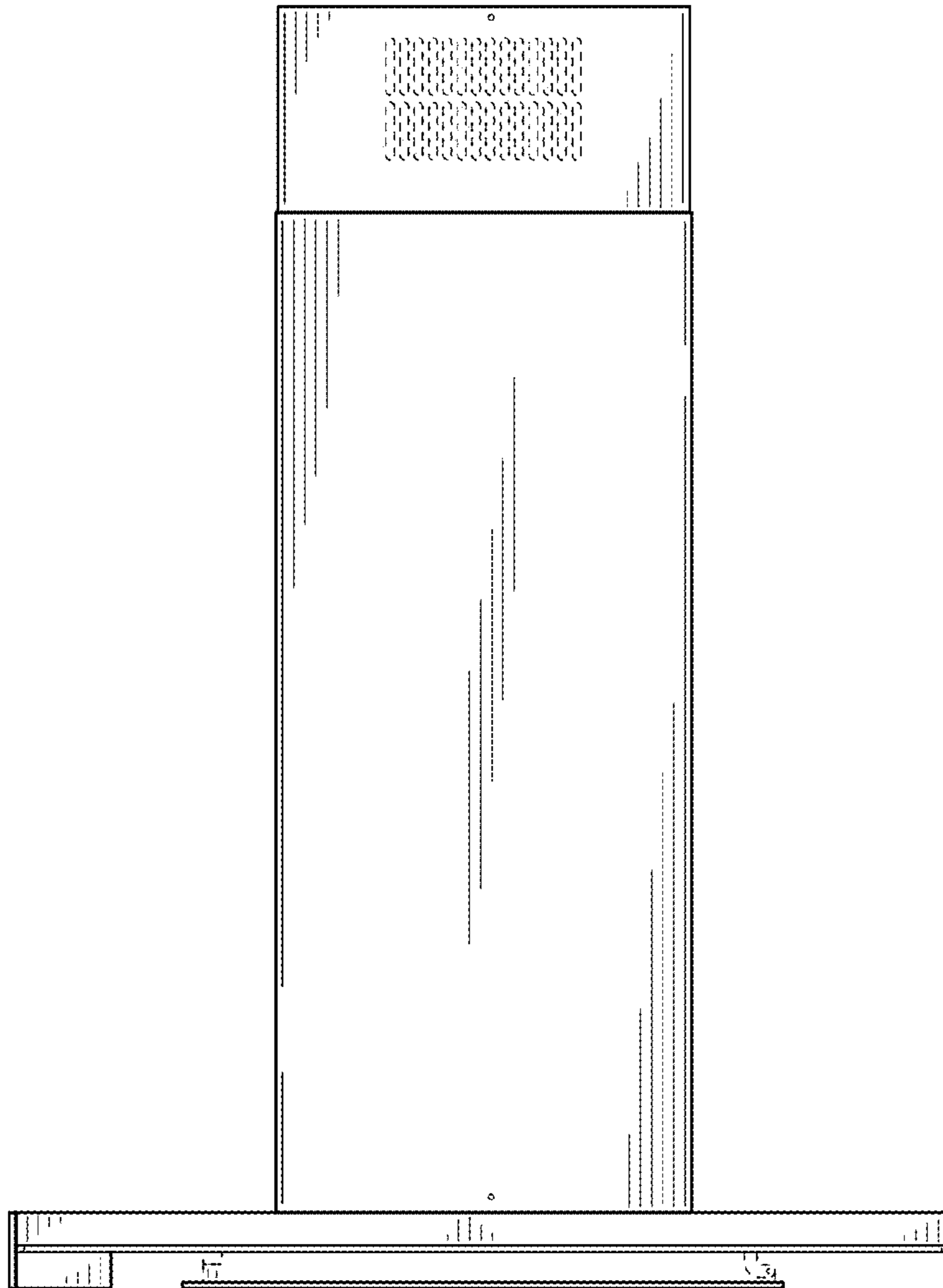


FIG. 6

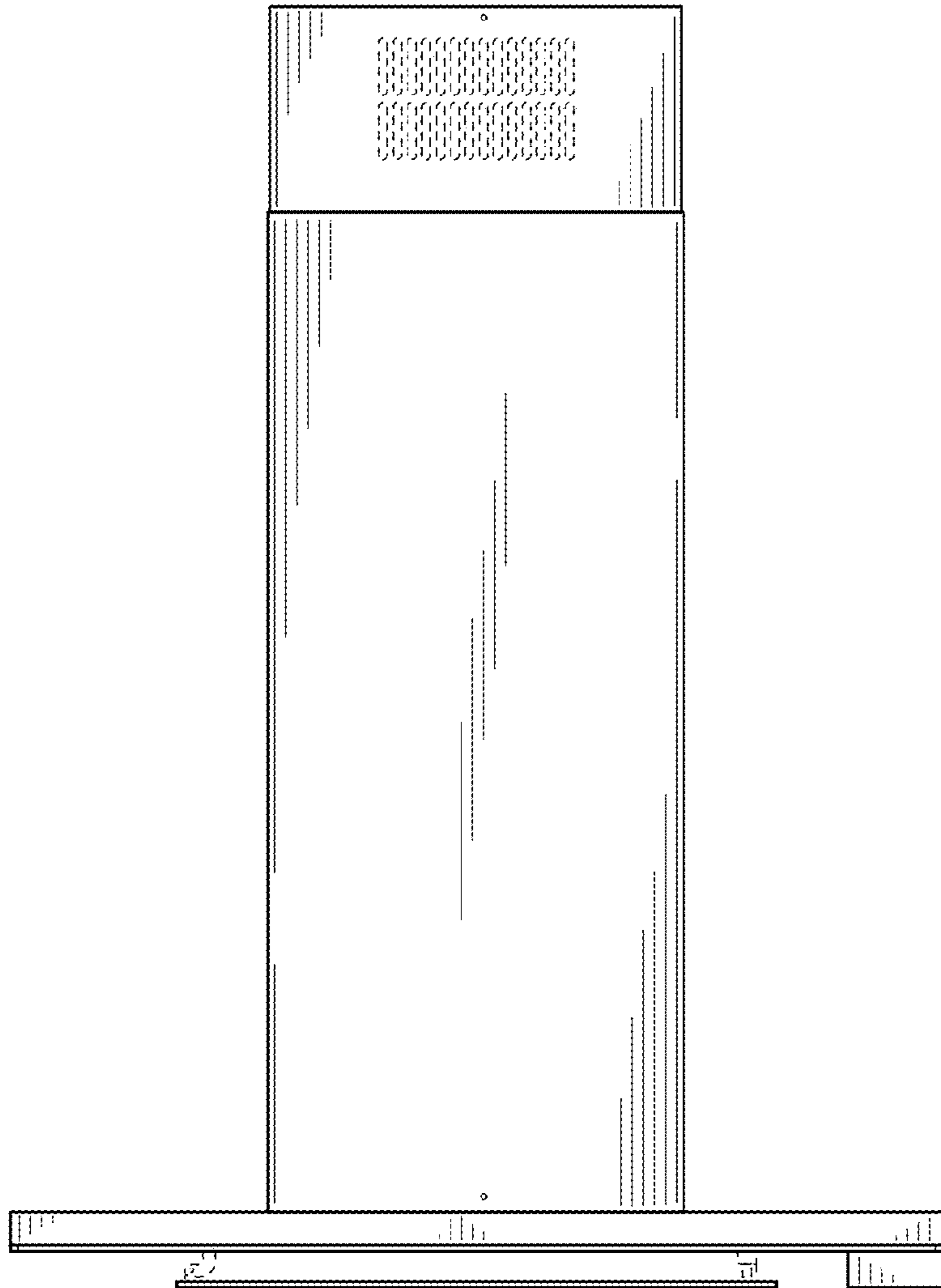


FIG. 7