



US00D730505S

(12) **United States Design Patent**  
**Cao et al.**

(10) **Patent No.:** **US D730,505 S**  
(45) **Date of Patent:** **\*\* May 26, 2015**

(54) **DISPENSING DEVICE**

(75) Inventors: **Hai Yan Cao**, Shanghai (CN); **Amos Chen**, Pudong District (CN); **Shumao Han**, Shanghai (CN); **Joanna Jia**, PuDong (CN); **Salvador Munoz**, Grayslake, IL (US); **Deliang Shi**, Kenosha, WI (US)

(73) Assignee: **S.C. Johnson & Son, Inc.**, Racine, WI (US)

(\*\*) Term: **14 Years**

(21) Appl. No.: **29/427,993**

(22) Filed: **Jul. 24, 2012**

(51) **LOC (10) Cl.** ..... **28-99**

(52) **U.S. Cl.**  
USPC ..... **D23/355**

(58) **Field of Classification Search**  
USPC ..... D23/355-369; D28/5, 6; 261/DIG. 17, 261/DIG. 42, DIG. 62, DIG. 88, DIG. 89  
See application file for complete search history.

(56) **References Cited**

**U.S. PATENT DOCUMENTS**

D434,890 S 12/2000 Cooper  
D451,183 S \* 11/2001 Hirano et al. .... D23/366

(Continued)

**FOREIGN PATENT DOCUMENTS**

CZ 4084 2/1969  
CZ 32507 12/2004

(Continued)

**OTHER PUBLICATIONS**

Product page of a mosquito coil pesticide from aliexpress.com website [online] [retrieved on Dec. 18, 2012], 6 pages. Retrieved

from <URL: aliexpress.com/item/Free-Shipping-Wholesales-50PCS-LOT-NO-Fire-Electricity-safety-Essential-oil-Baby-children-Repellent-Paper-Mosquito/567352609.html>.

(Continued)

*Primary Examiner* — Sandra Snapp

(57)

**CLAIM**

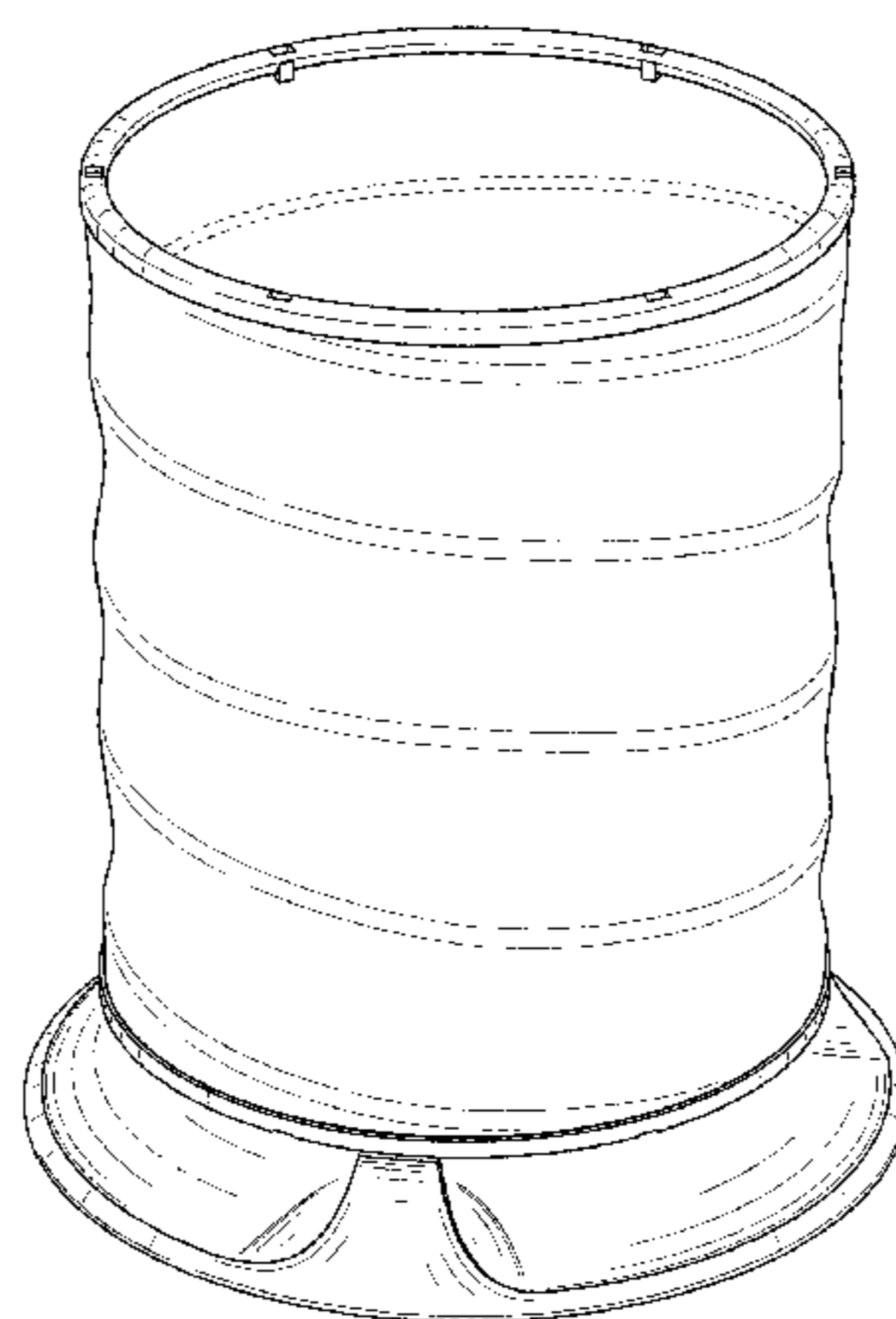
The ornamental design for a dispensing device, as shown and described.

**DESCRIPTION**

FIG. 1 is an isometric view of a top, front, and left side of an ornamental design for a dispensing device;  
FIG. 2 is a front elevational view of the dispensing device of FIG. 1;  
FIG. 3 is a rear elevational view of the dispensing device of FIG. 1;  
FIG. 4 is a right side elevational view of the dispensing device of FIG. 1;  
FIG. 5 is a left side elevational view of the dispensing device of FIG. 1;  
FIG. 6 is a top plan view of the dispensing device of FIG. 1;  
FIG. 7 is a bottom plan view of the dispensing device of FIG. 1;  
FIG. 8 is an isometric view of a top, front, and left side of another ornamental design for a dispensing device;  
FIG. 9 is a front elevational view of the dispensing device of FIG. 8;  
FIG. 10 is a rear elevational view of the dispensing device of FIG. 8;  
FIG. 11 is a right side elevational view of the dispensing device of FIG. 8;  
FIG. 12 is a left side elevational view of the dispensing device of FIG. 8;  
FIG. 13 is a top plan view of the dispensing device of FIG. 8;  
and,  
FIG. 14 is a bottom plan view of the dispensing device of FIG. 8.

The dash-dash-dash-dash broken lines are for the purpose of illustrating environmental structure and form no part of the claimed design. In FIGS. 15-21, the surface shown in cross-hatching is of indeterminable length.

**1 Claim, 12 Drawing Sheets**



(56)

**References Cited**

U.S. PATENT DOCUMENTS

D470,910 S 2/2003 Abel  
 6,520,365 B2 2/2003 Schneider  
 6,616,004 B1 9/2003 Erickson et al.  
 6,736,285 B2 5/2004 Stewart-Stand  
 6,913,733 B2 7/2005 Hardy et al.  
 D581,506 S \* 11/2008 Kelnhofer ..... D23/360  
 D590,950 S 4/2009 Driver et al.  
 D622,466 S 8/2010 Sabounjian  
 D646,934 S 10/2011 Peters et al.  
 8,070,006 B2 12/2011 Austin et al.  
 8,091,741 B2 1/2012 Pritchard  
 2005/0284866 A1 12/2005 Oakner et al.

FOREIGN PATENT DOCUMENTS

DE 498008201-0003 4/1999  
 EM 001759135-0001 10/2010

FR 973755 10/1997  
 FR 021393 3/2005  
 GB 2007180 10/1990  
 GB 3005222 10/2002  
 GB 4012206 9/2009  
 GB 4023303 4/2012

OTHER PUBLICATIONS

Ponoko product page of a spiral desk lamp from Ponoko website [online] [retrieved on Nov. 12, 2012], 1 page. Retrieved from <<http://blog.ponoko.com/2008/05/15/shining-lights-of-nottinghamtrent/>>.  
 Ikea product page of a laundry basket from Ikea.com website [online] [retrieved on Nov. 12, 2012], 1 page. Retrieved from <<http://www.ikea.com/us/en/catalog/products/80099224/>>.

\* cited by examiner

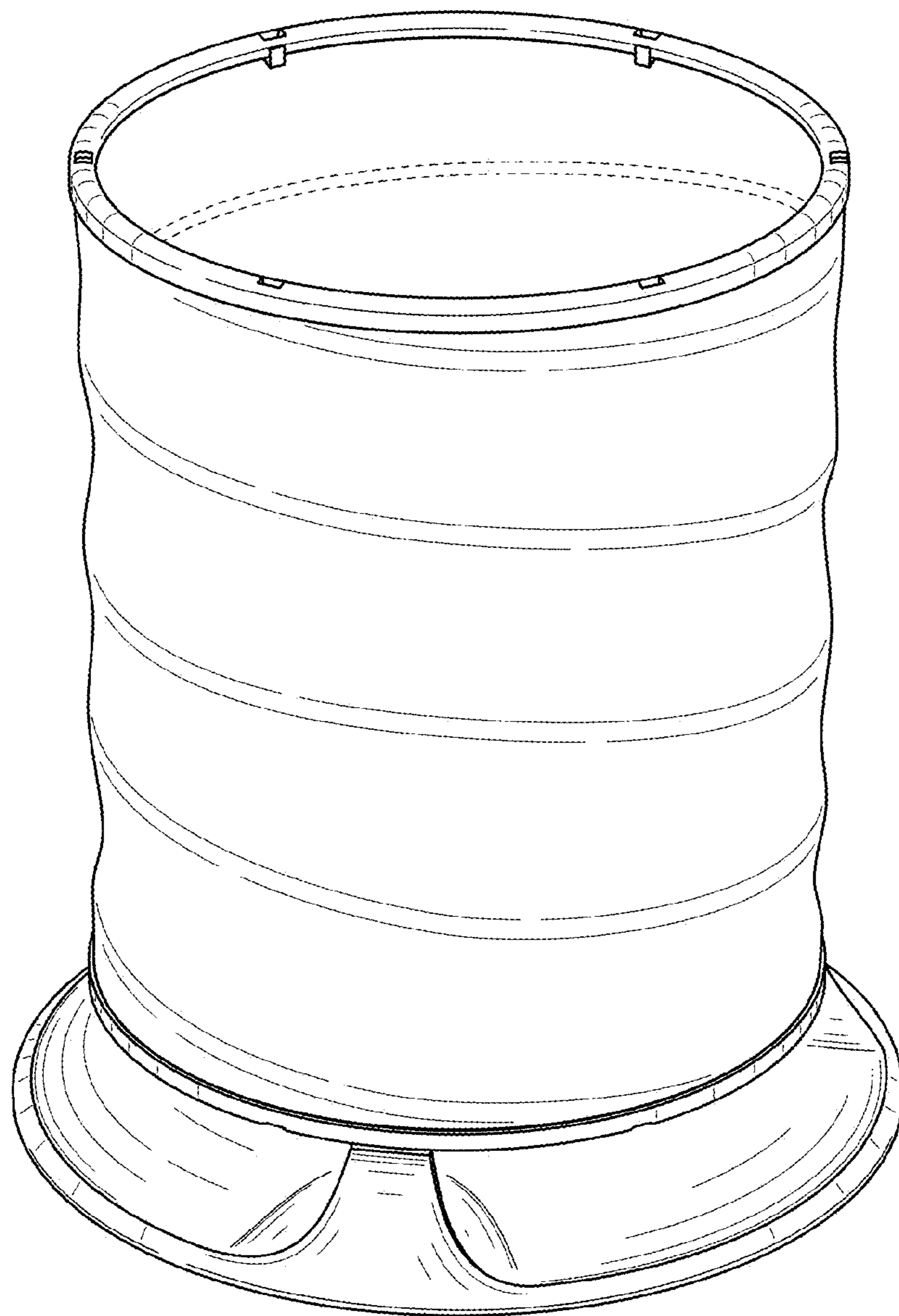


FIG. 1

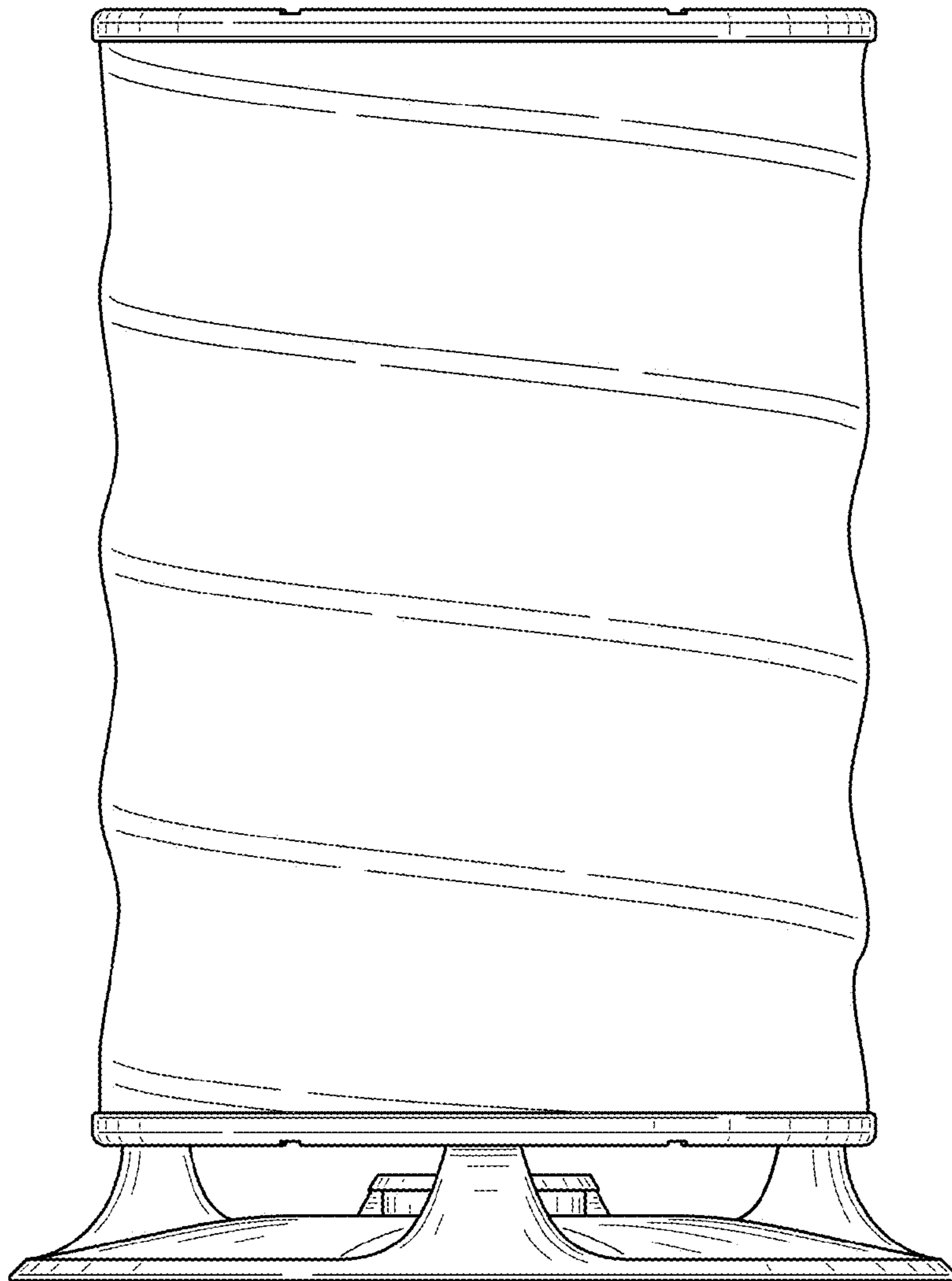


FIG. 2

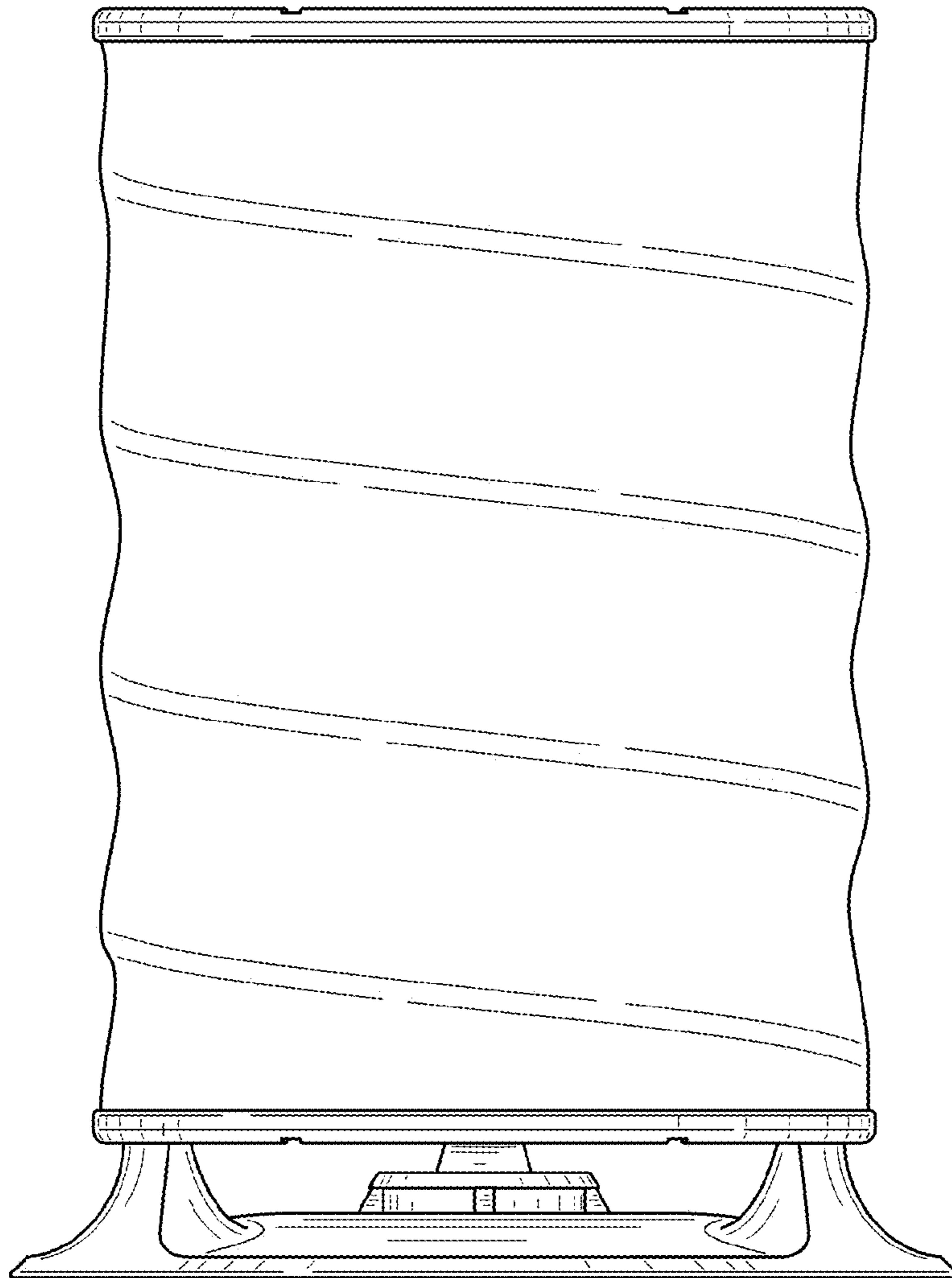


FIG. 3

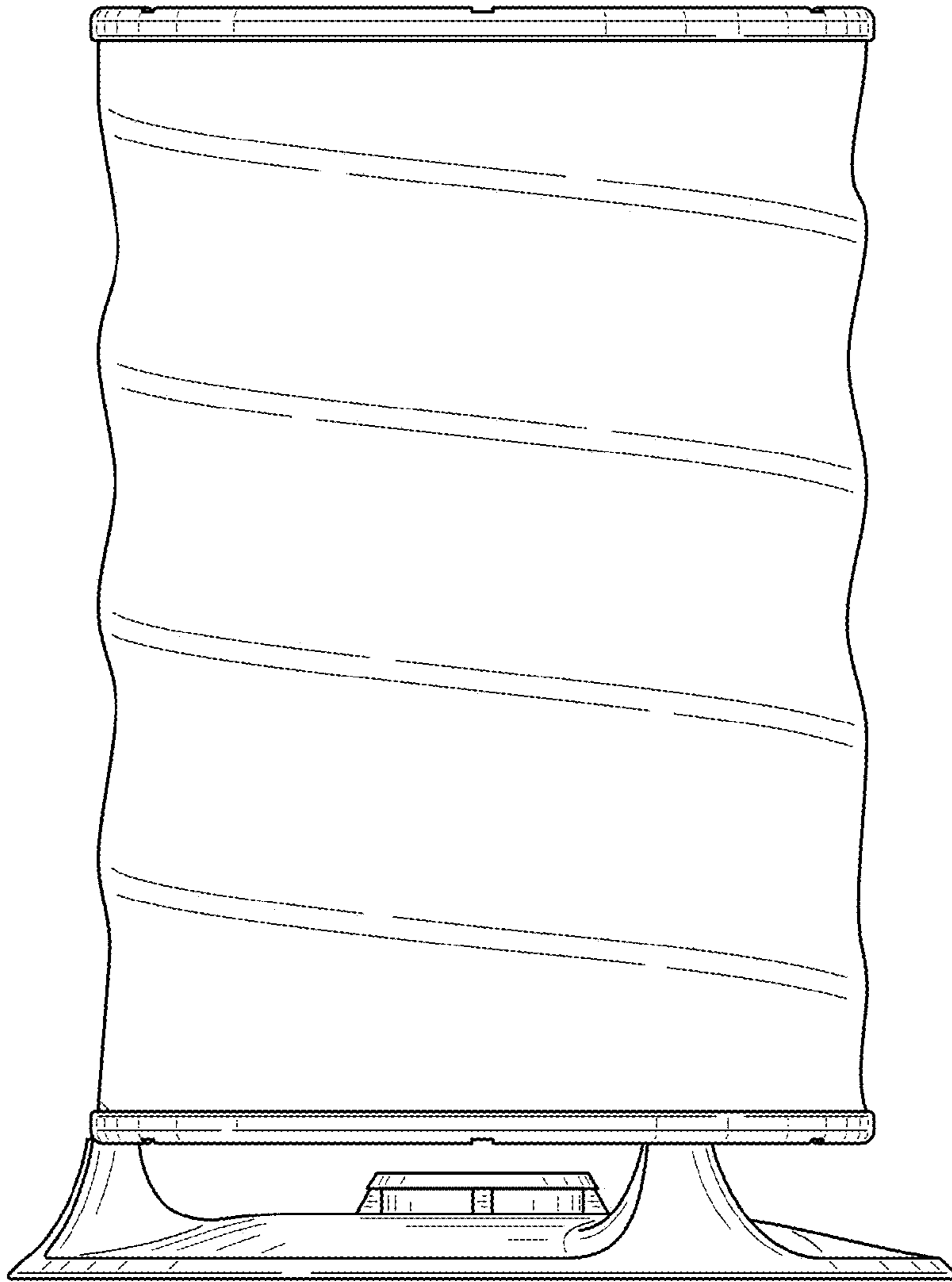


FIG. 4

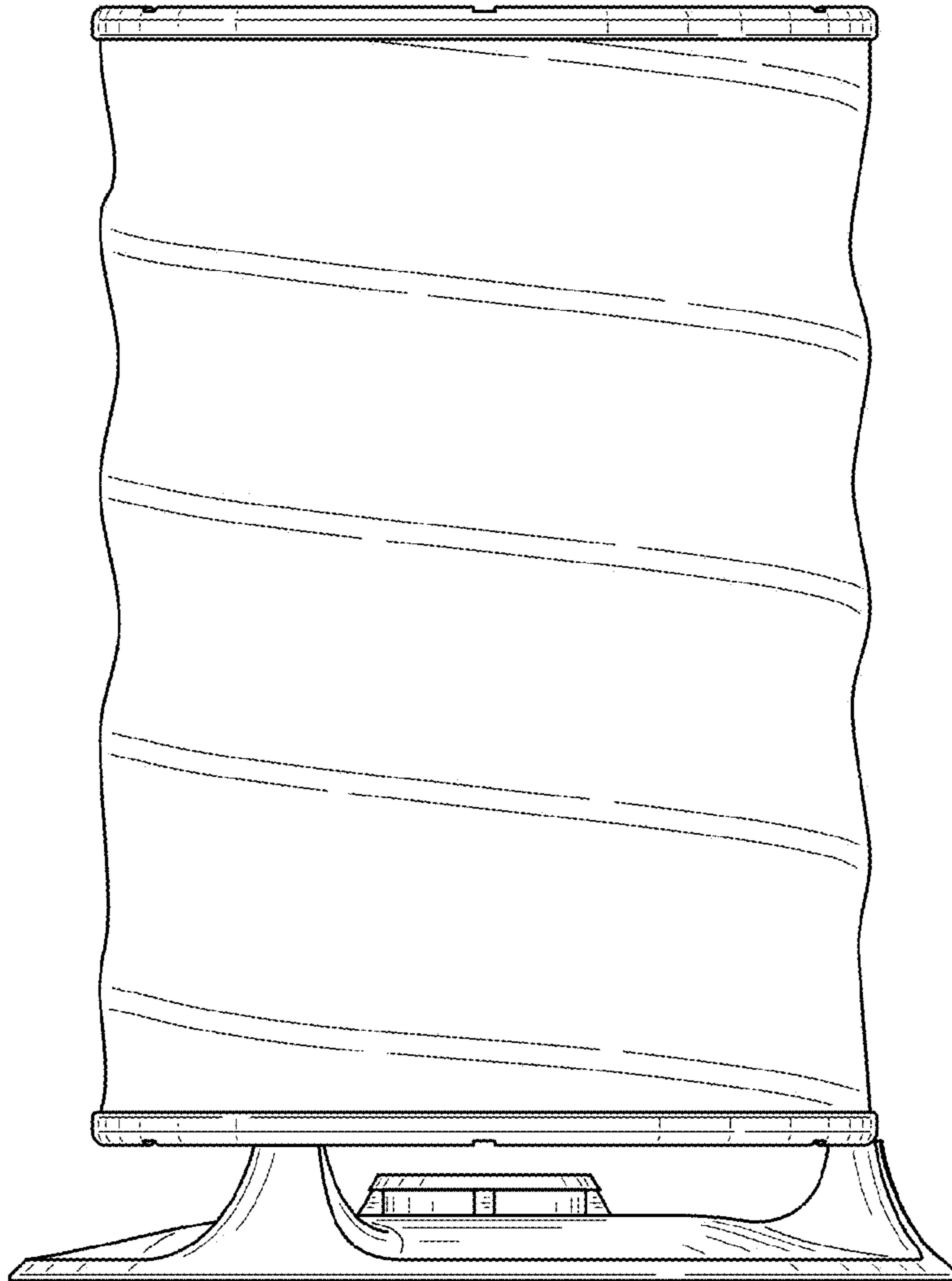


FIG. 5

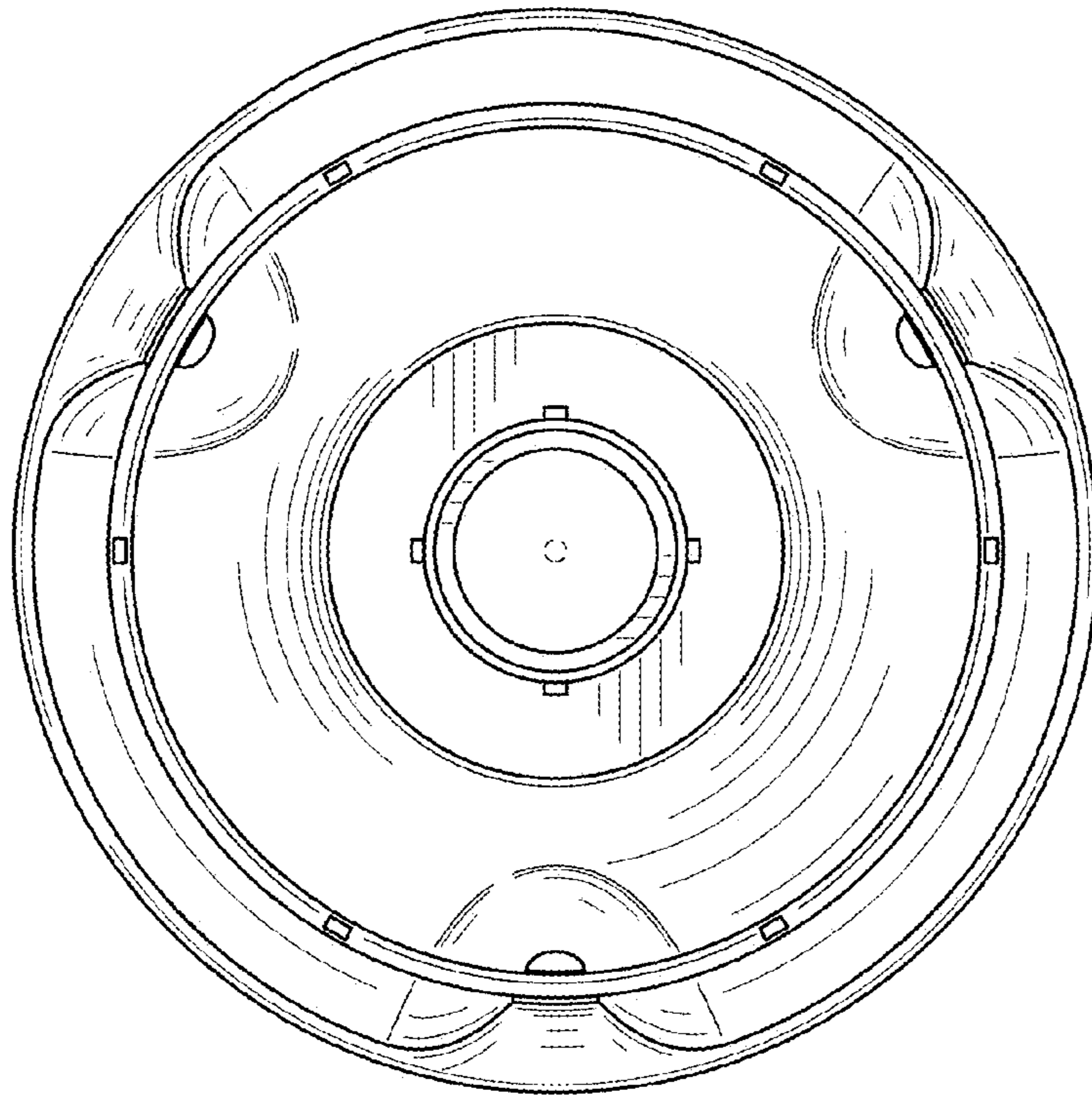


FIG. 6

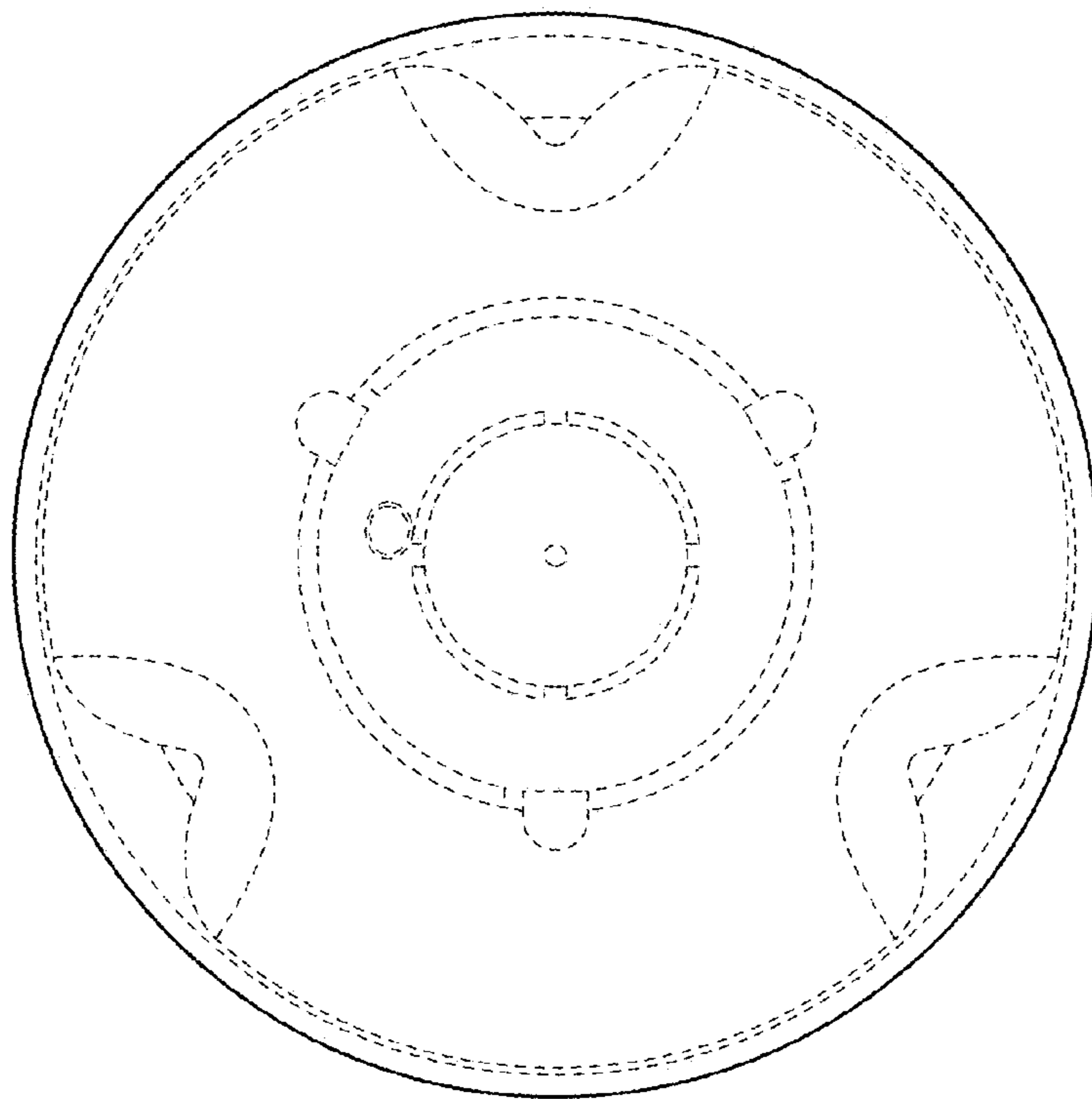


FIG. 7



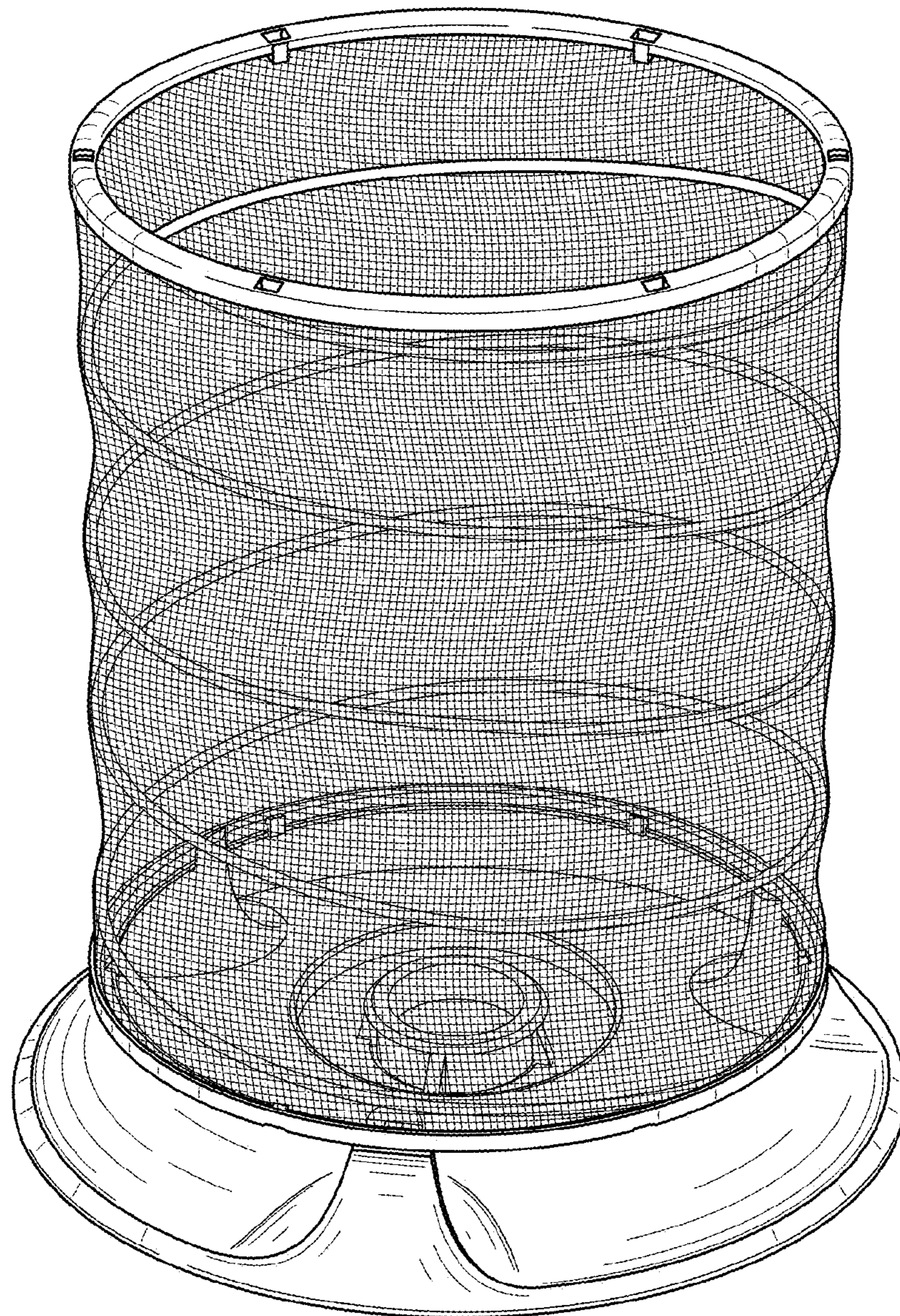


FIG. 8

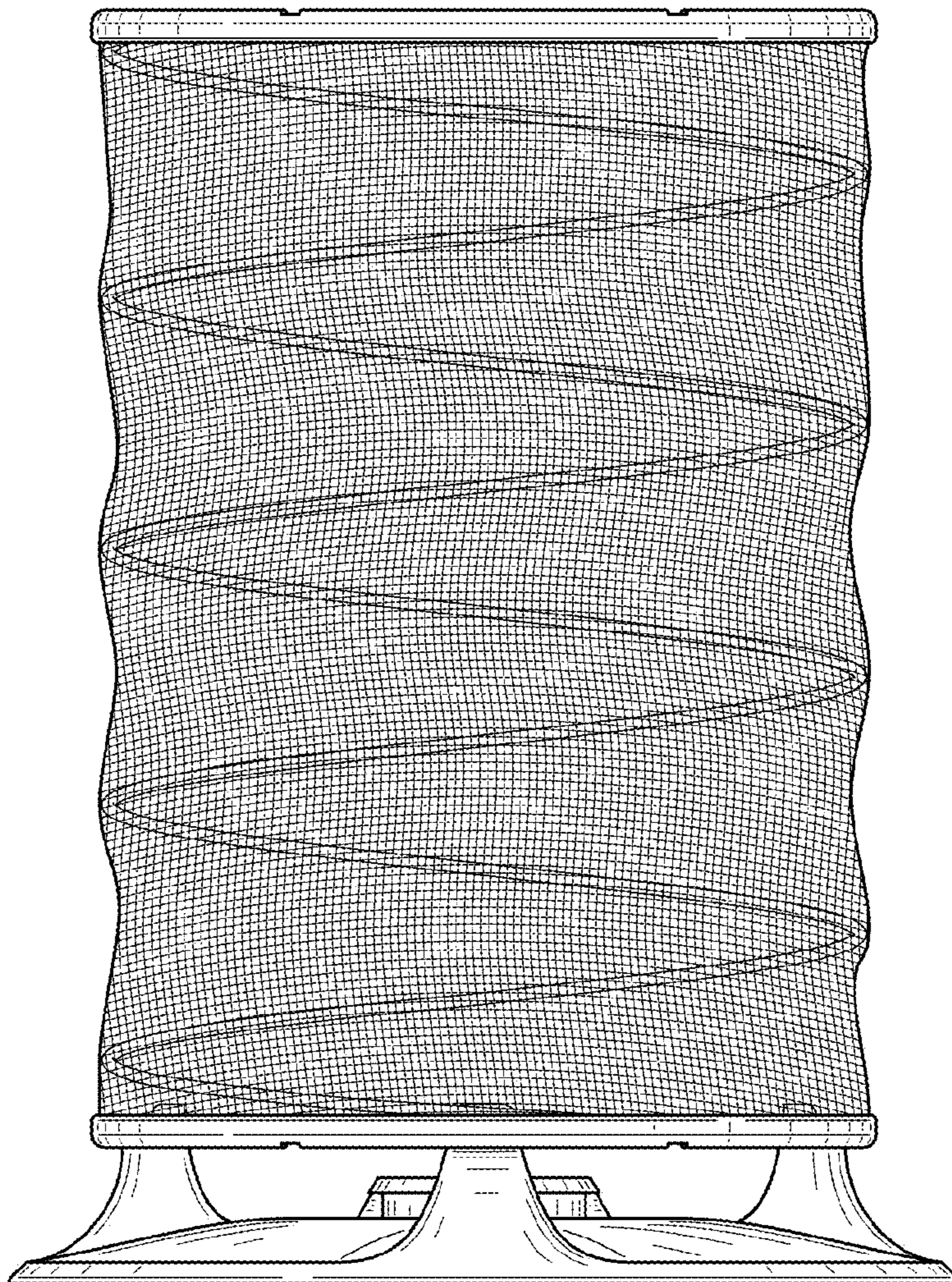


FIG. 9

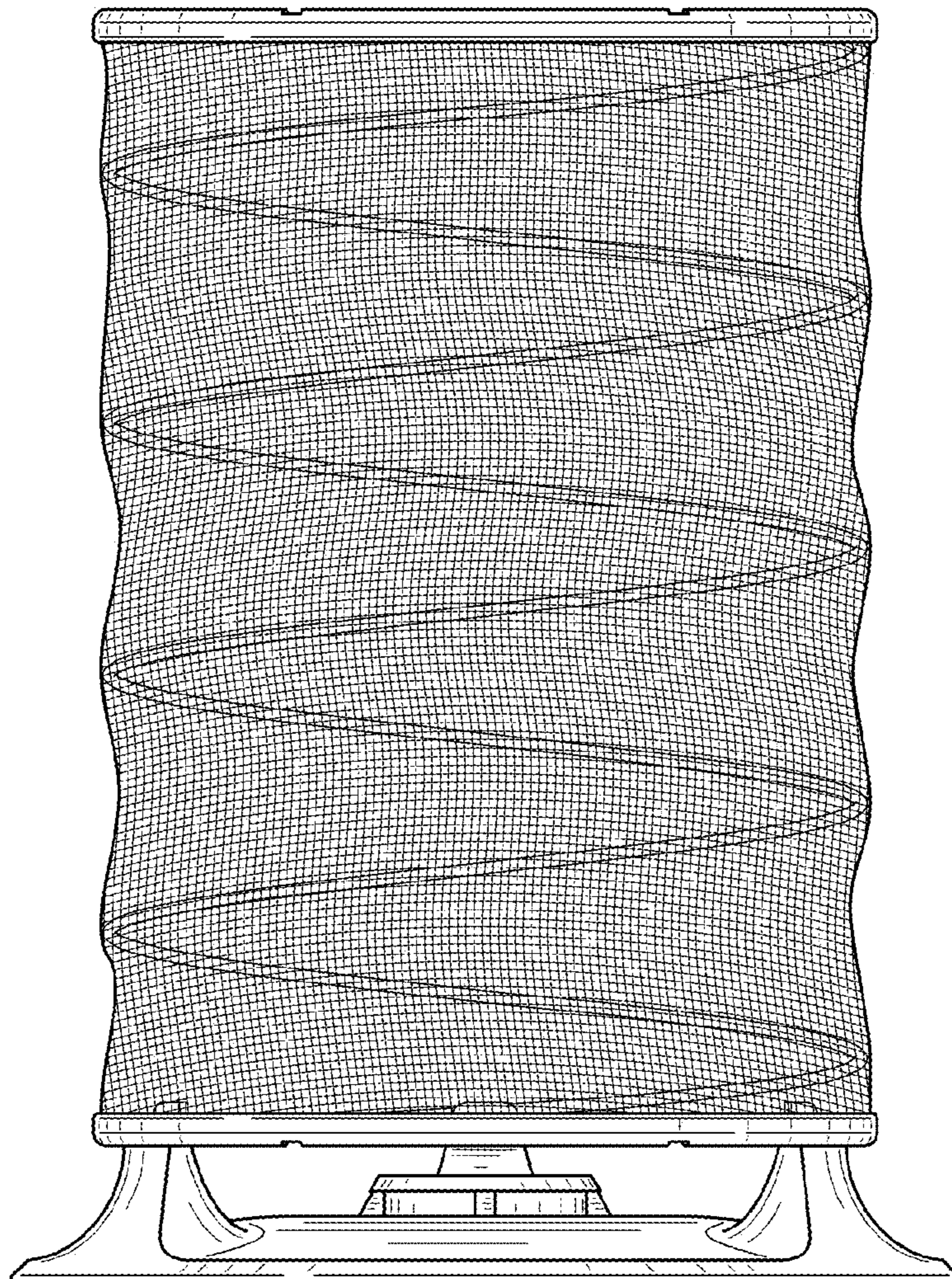


FIG. 10

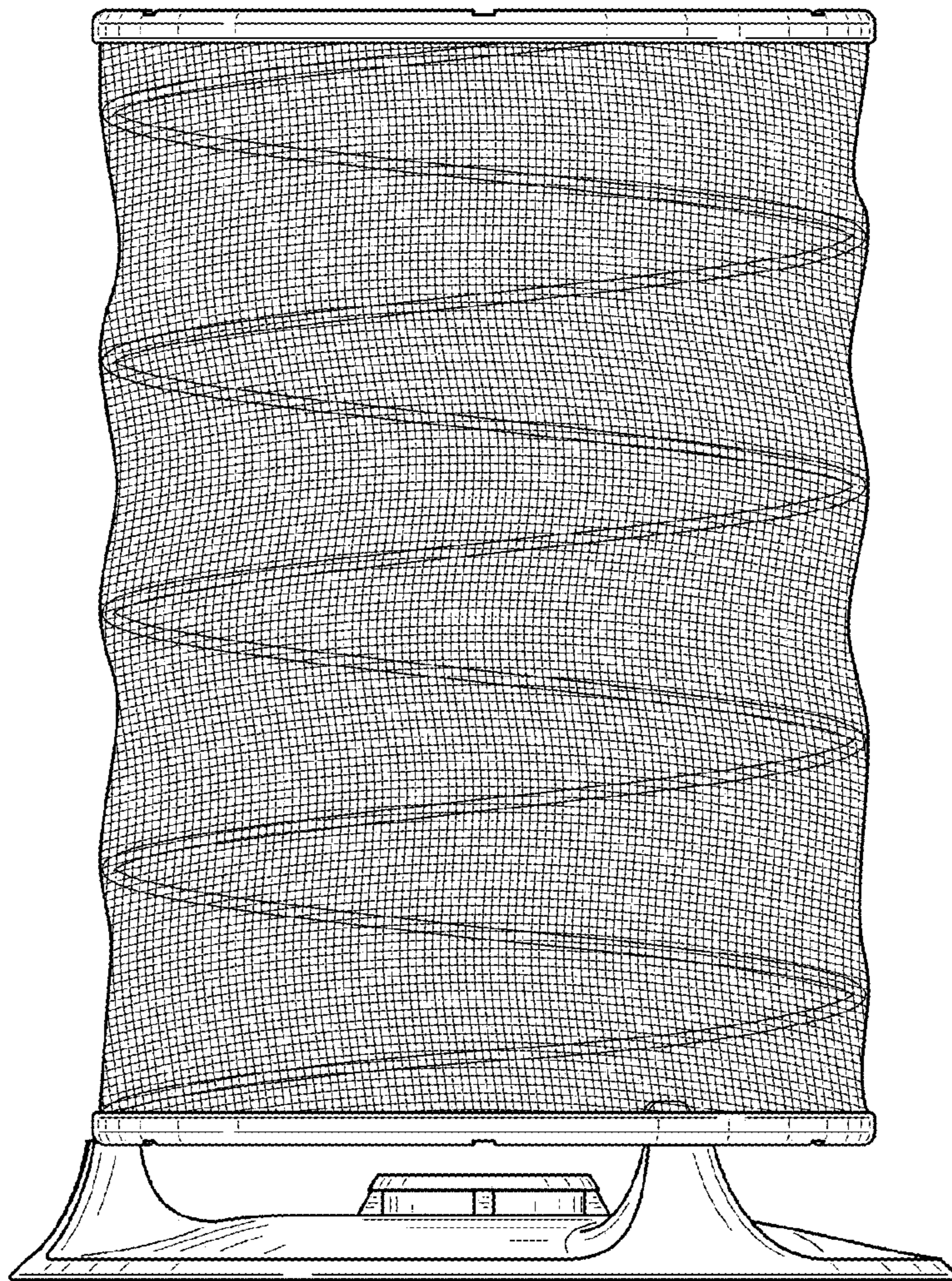


FIG. 11

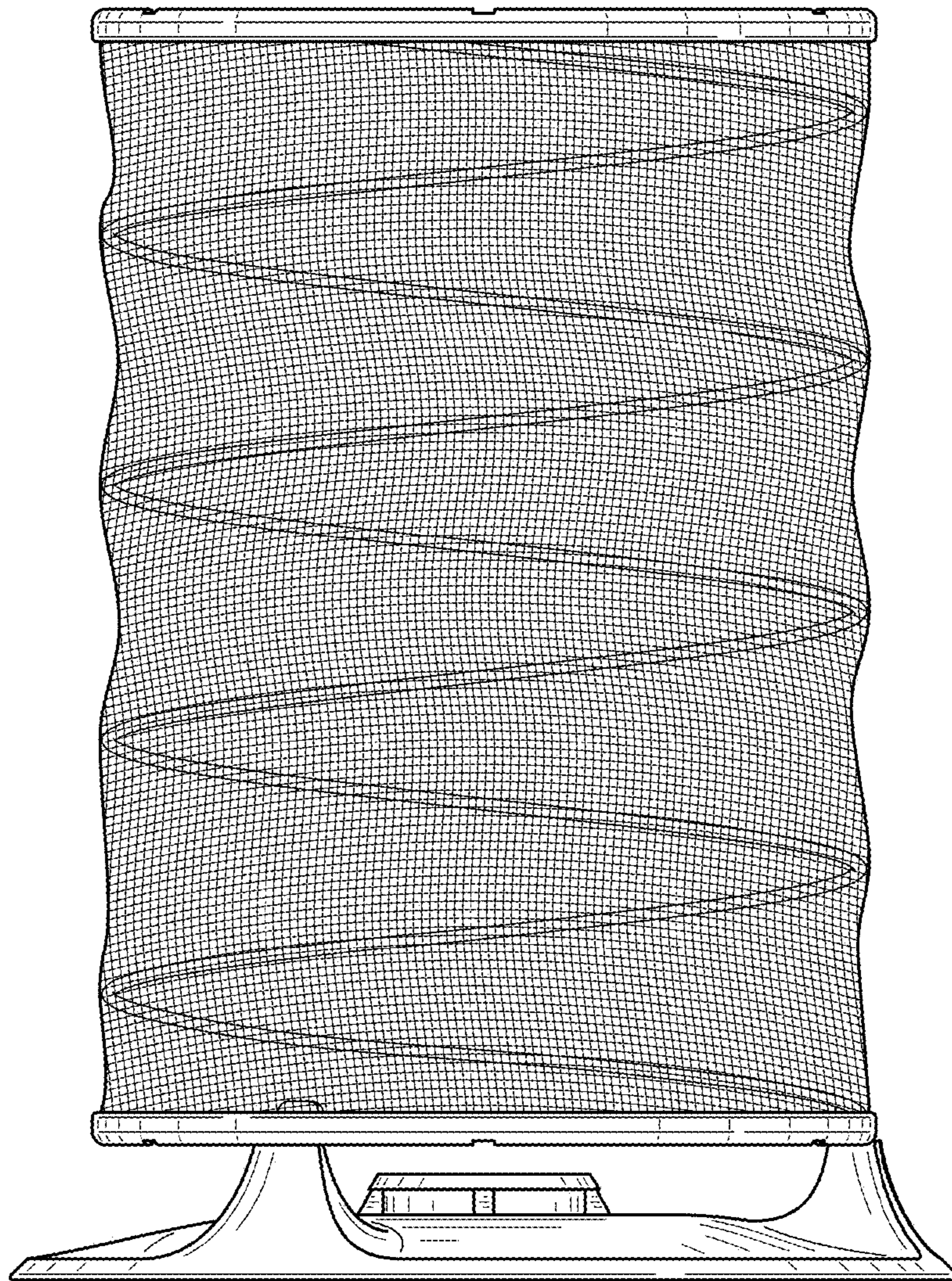


FIG. 12

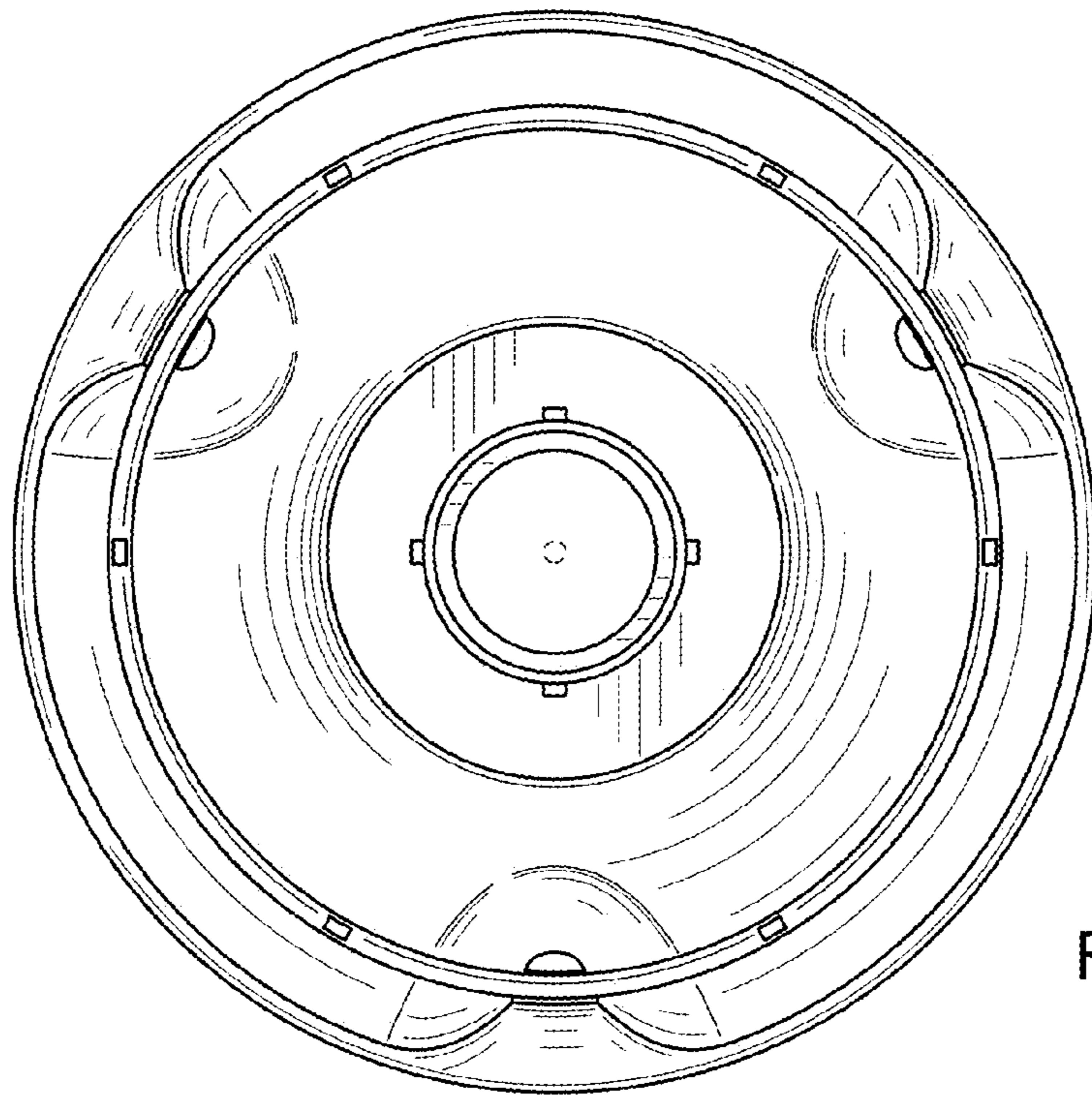


FIG. 13

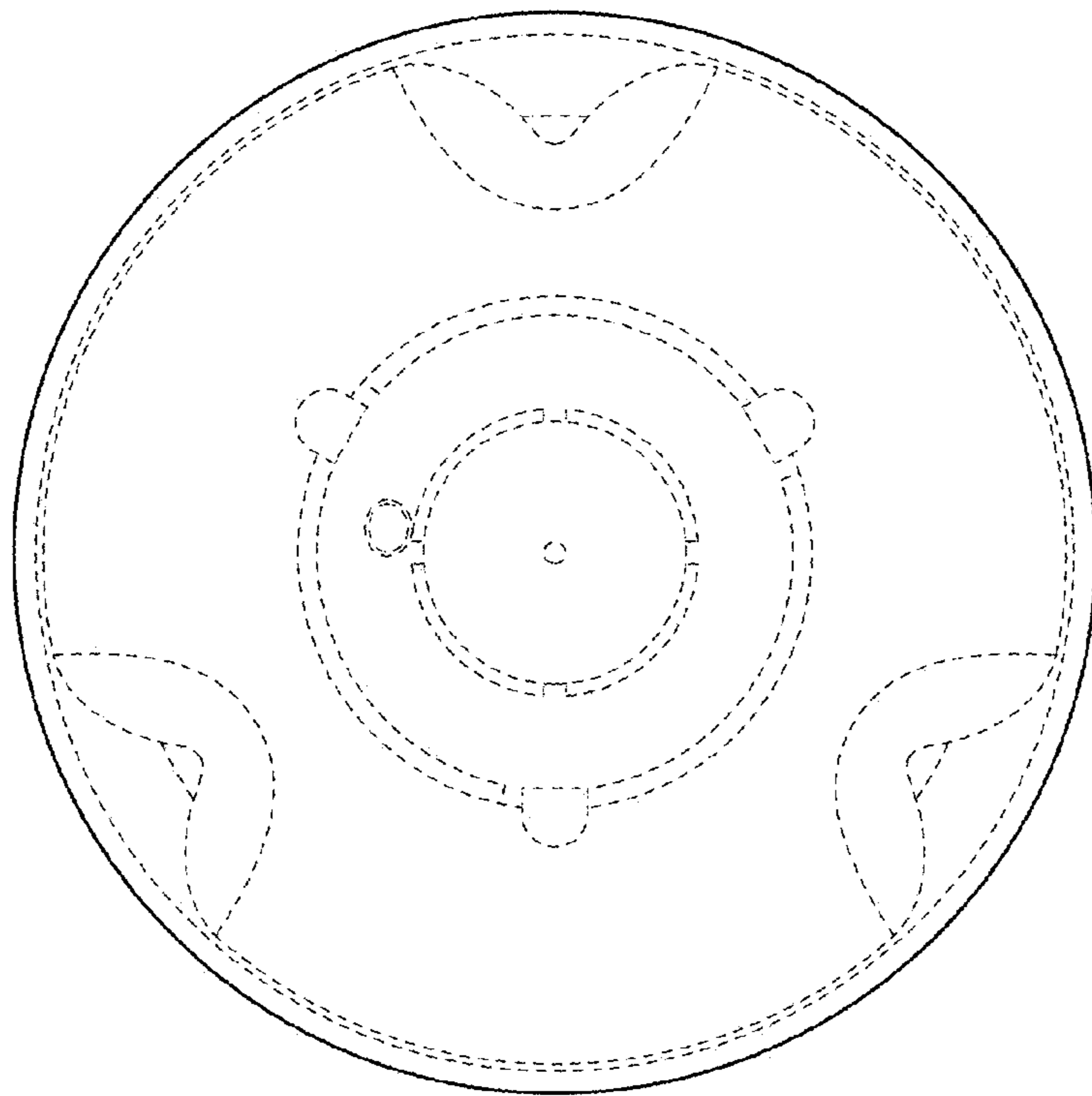


FIG. 14