



US00D730504S

(12) **United States Design Patent**  
**Chang et al.**

(10) **Patent No.:** **US D730,504 S**

(45) **Date of Patent:** **\*\* May 26, 2015**

(54) **RADIATOR**

(71) Applicant: **HON HAI PRECISION INDUSTRY CO., LTD.**, New Taipei (TW)

(72) Inventors: **Chih-Kuang Chang**, New Taipei (TW); **Li Jiang**, Shenzhen (CN); **Zhong-Kui Yuan**, Shenzhen (CN); **Zhi-Jun Zou**, Shenzhen (CN); **Jia-Jia Chen**, Shenzhen (CN); **Dong-Hai Li**, Shenzhen (CN)

(73) Assignee: **HON HAI PRECISION INDUSTRY CO., LTD.**, New Taipei (TW)

(\*\*) Term: **14 Years**

(21) Appl. No.: **29/440,667**

(22) Filed: **Dec. 25, 2012**

(30) **Foreign Application Priority Data**

Nov. 8, 2012 (CN) ..... 2013 3 05413676

(51) **LOC (10) Cl.** ..... **23-03**

(52) **U.S. Cl.**  
USPC ..... **D23/330**

(58) **Field of Classification Search**  
USPC ..... D23/317, 314, 332, 33, 334, 335, 337, D23/342, 351, 355, 378, 370, 381, 364, 336, D23/341, 330; 416/244 R, 247 R, 53.1-53.3; 392/365, 367; D13/179

See application file for complete search history.

(56) **References Cited**

U.S. PATENT DOCUMENTS

2,145,721 A \* 1/1939 Hall ..... 62/471  
2,255,512 A \* 9/1941 Newman ..... 62/520  
D613,841 S \* 4/2010 Bhatti ..... D23/323

\* cited by examiner

*Primary Examiner* — T. Chase Nelson

*Assistant Examiner* — Ania Aman

(74) *Attorney, Agent, or Firm* — Novak Druce Connolly Bove + Quigg LLP

(57) **CLAIM**

The ornamental design for a radiator, as shown and described.

**DESCRIPTION**

FIG. 1 is a perspective view of a radiator showing our new design;

FIG. 2 is a front elevational view thereof;

FIG. 3 is a rear elevational view thereof;

FIG. 4 is a left side elevational view thereof;

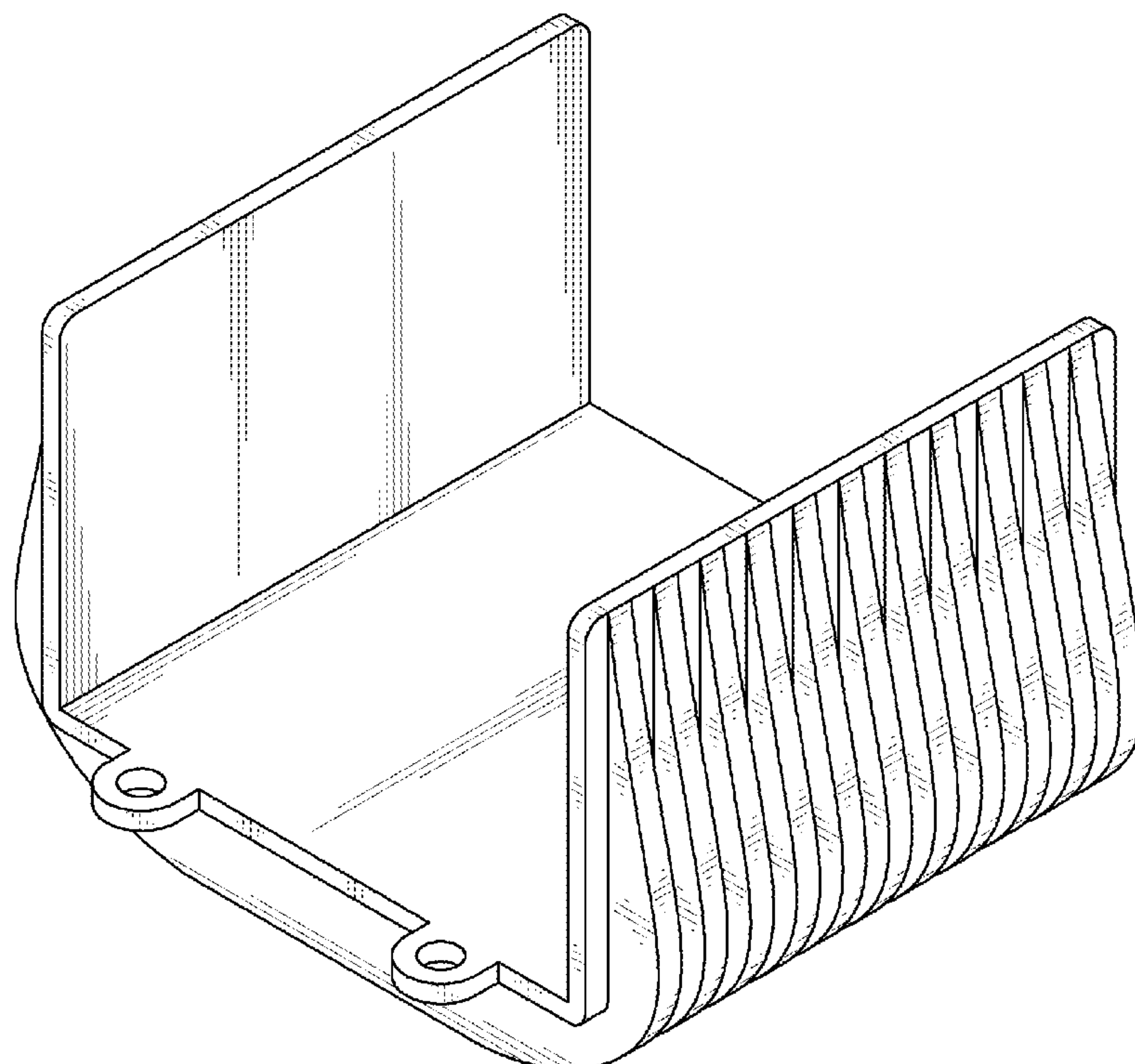
FIG. 5 is a right side elevational view thereof;

FIG. 6 is a top plan view thereof; and,

FIG. 7 is a bottom plan view thereof.

The broken lines illustrate portions of the radiator which form no part of the claimed design.

**1 Claim, 7 Drawing Sheets**



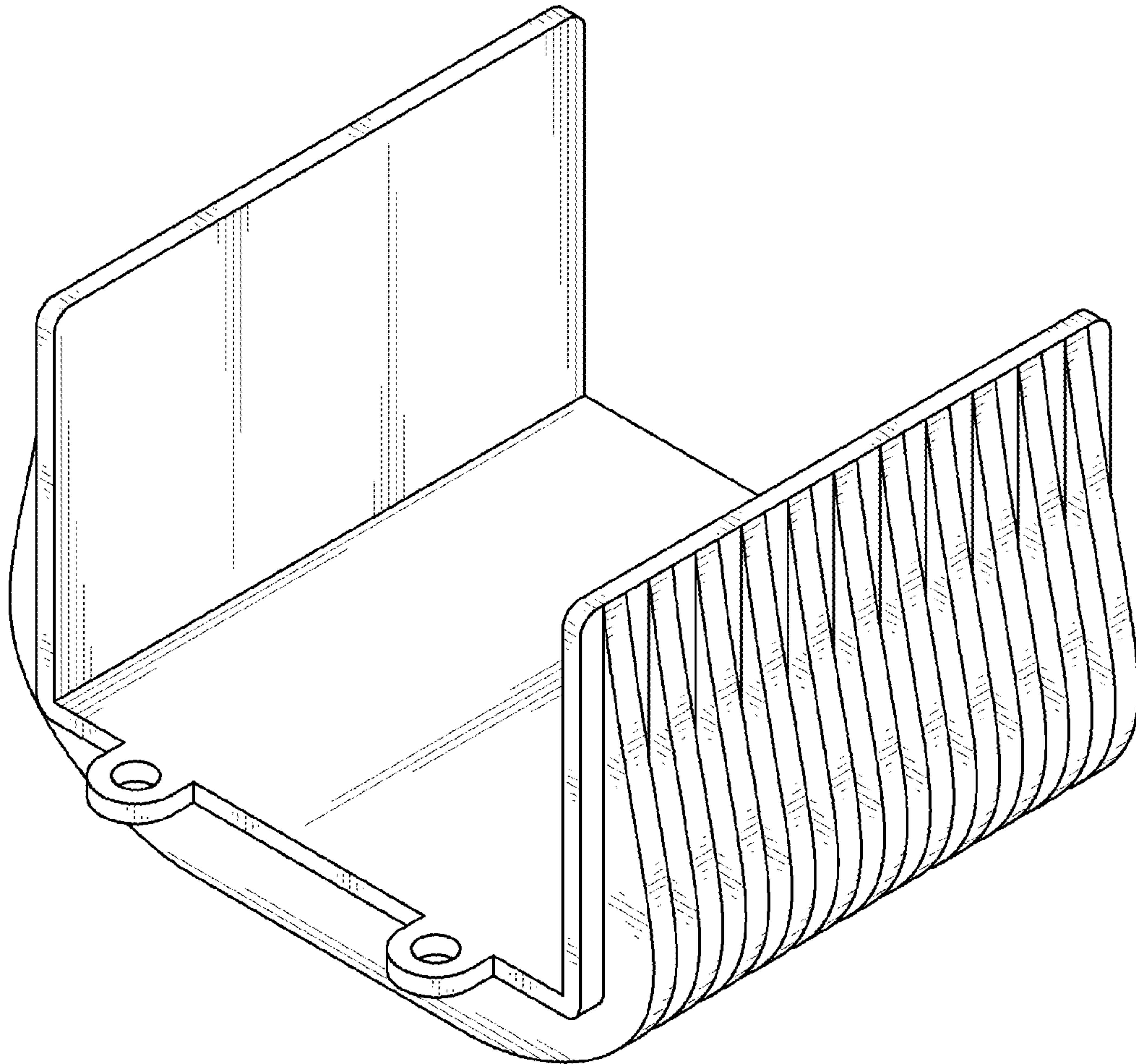


FIG. 1

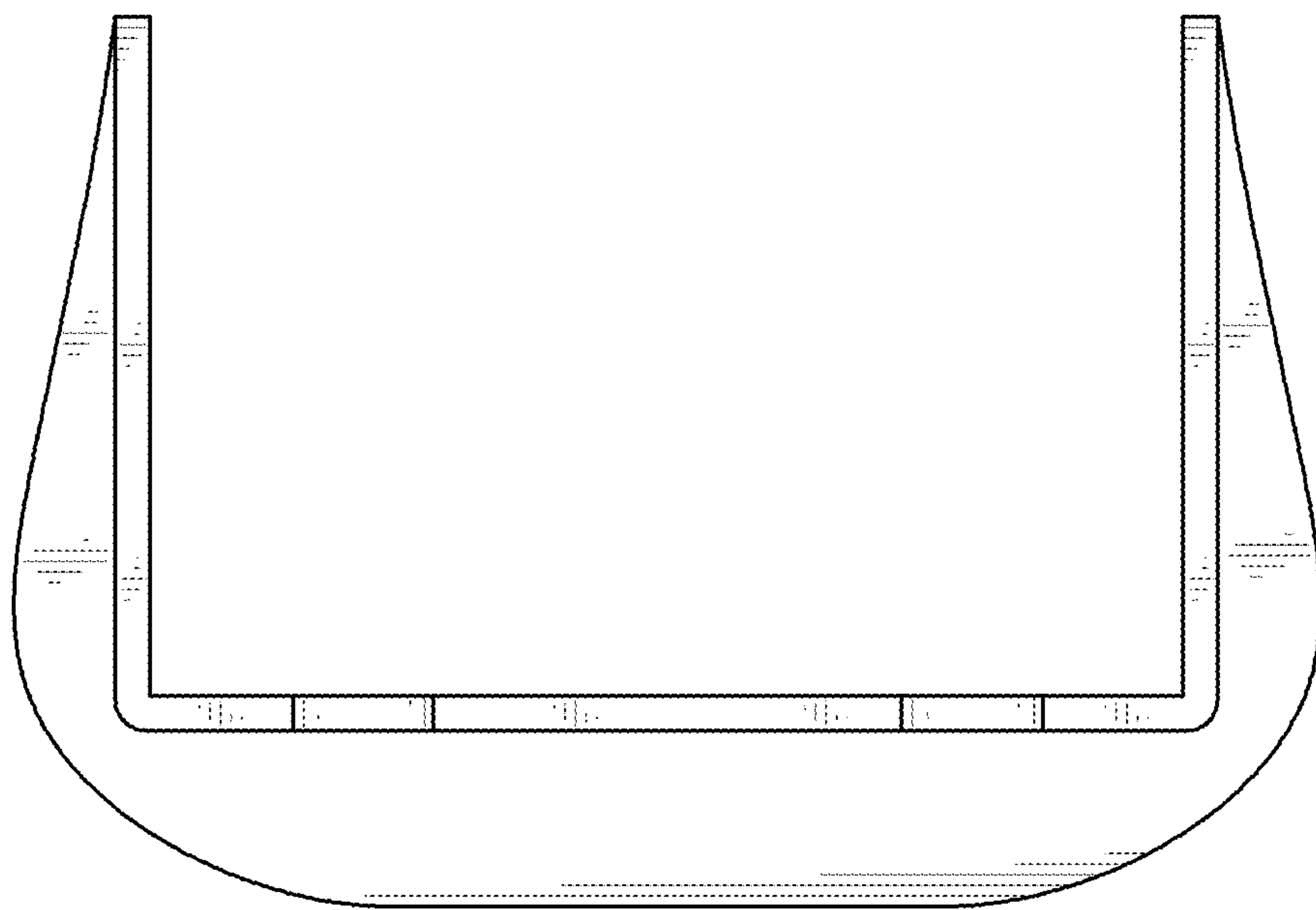


FIG. 2

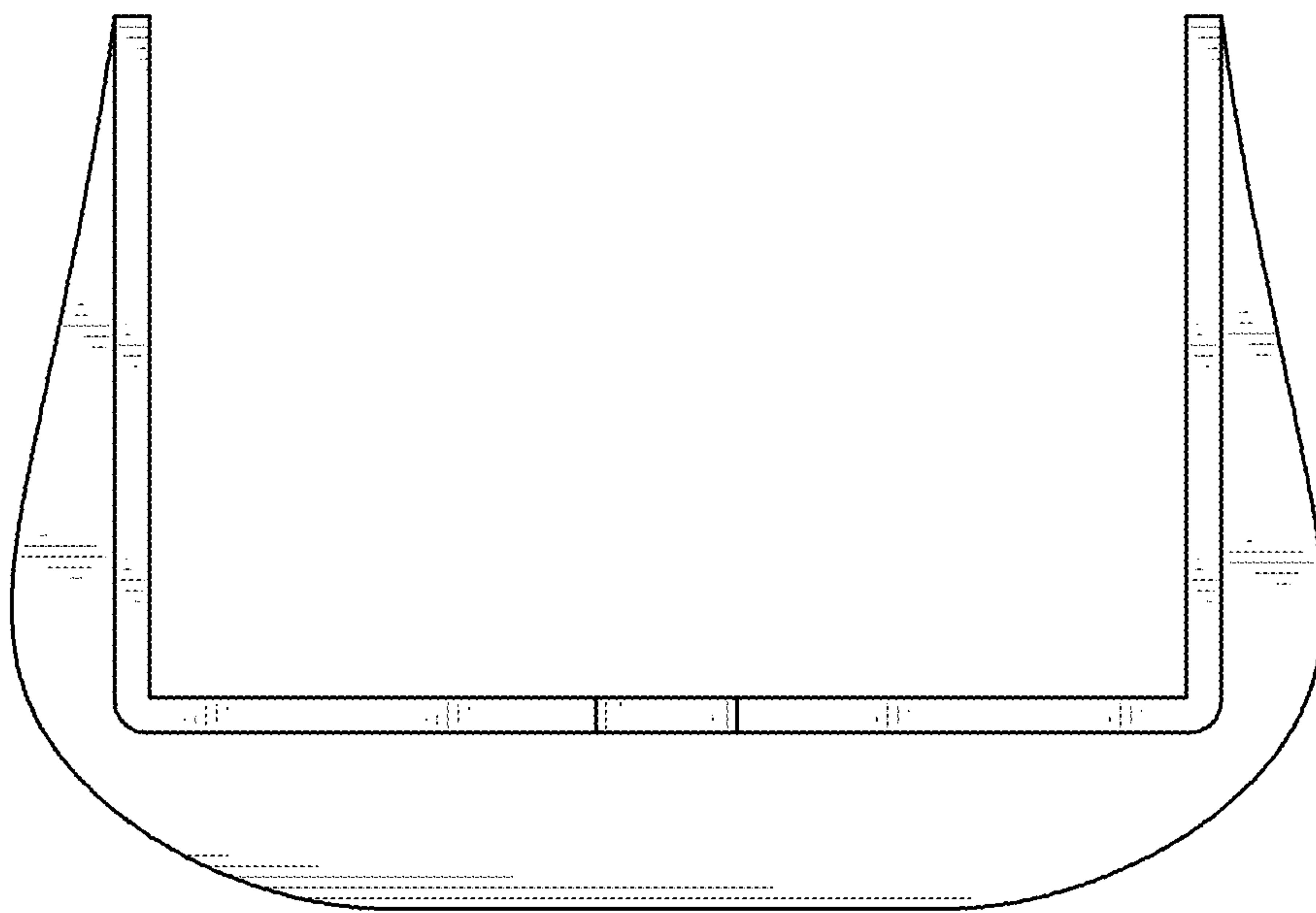


FIG. 3

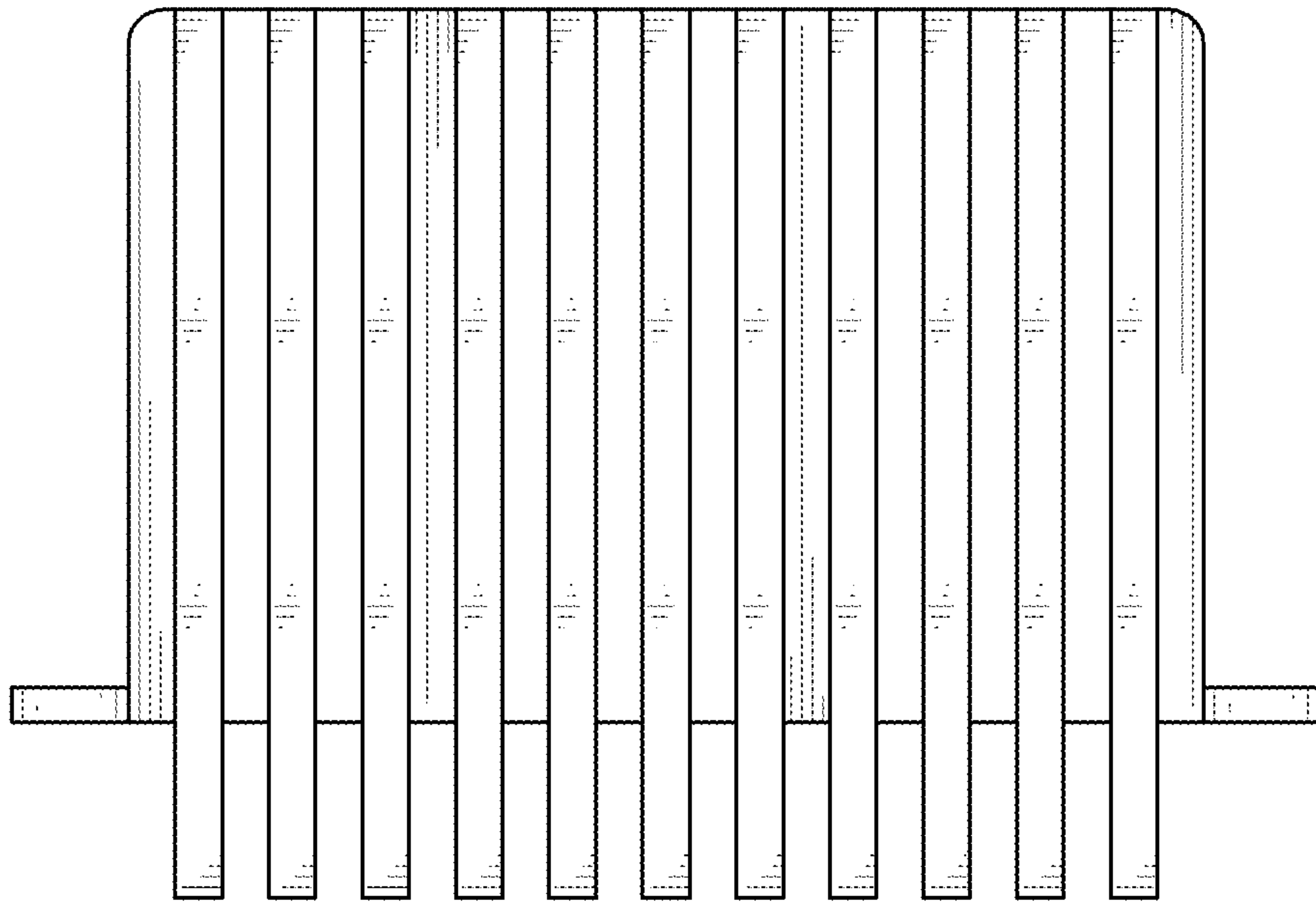


FIG. 4

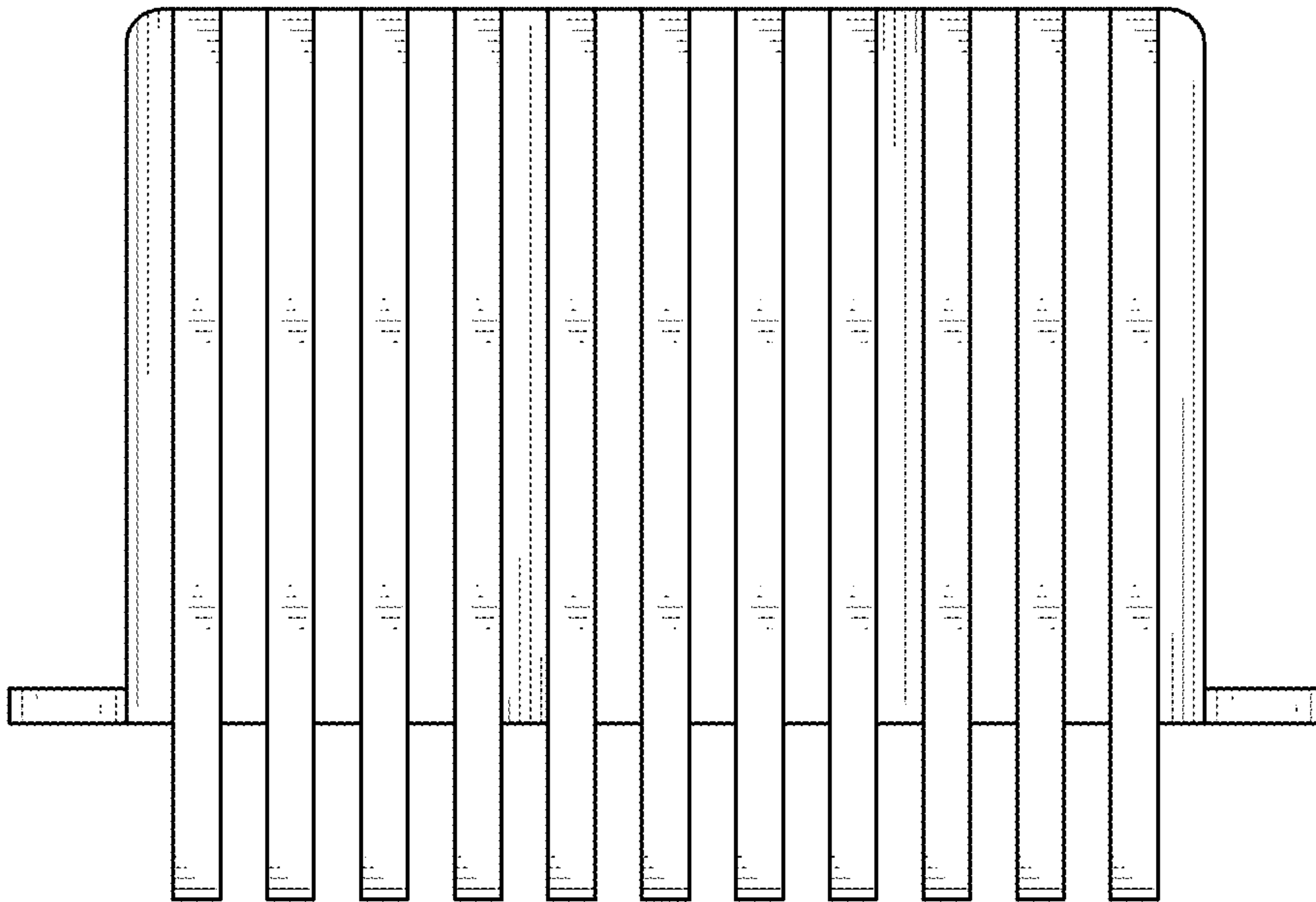


FIG. 5

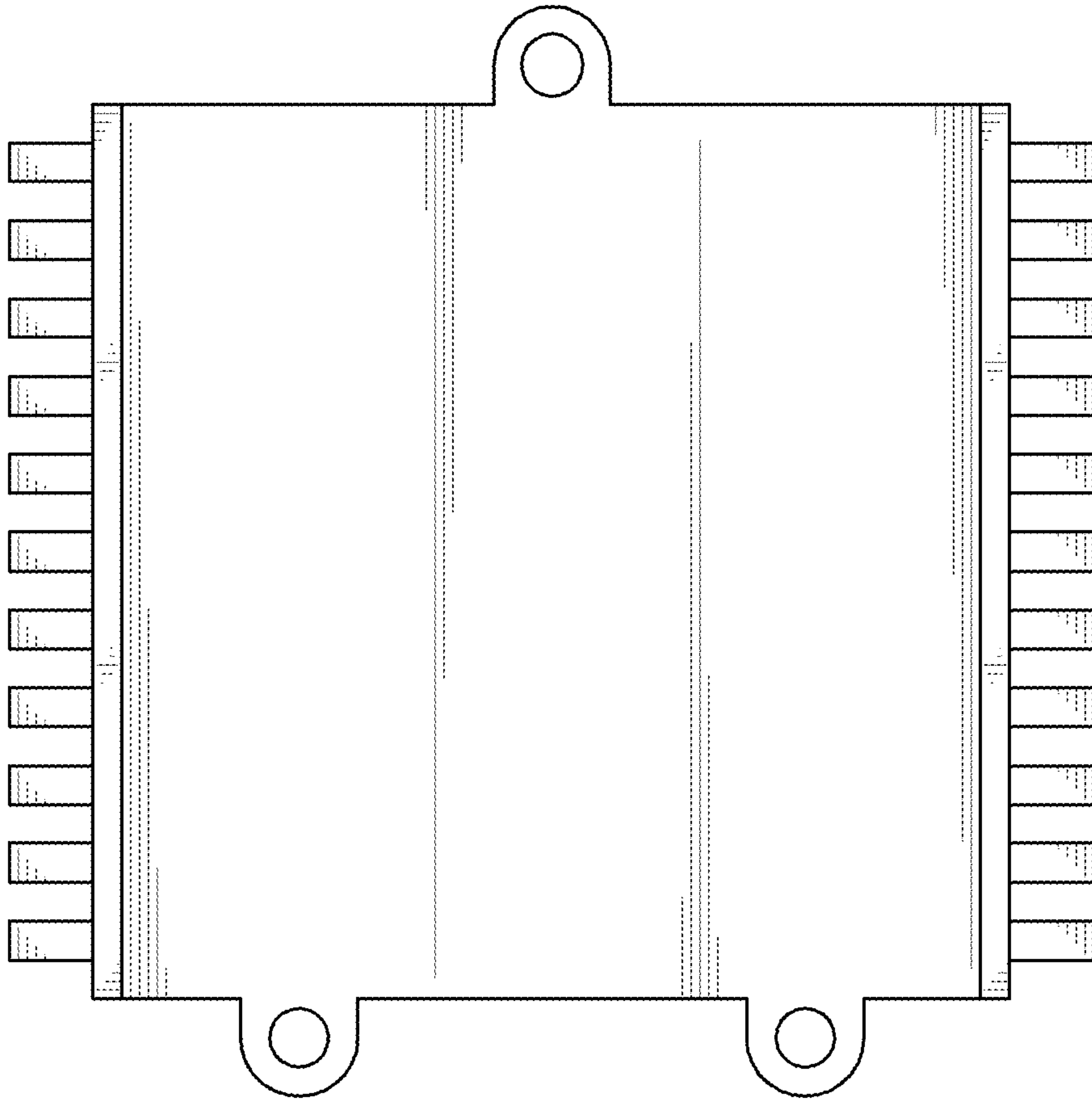


FIG. 6



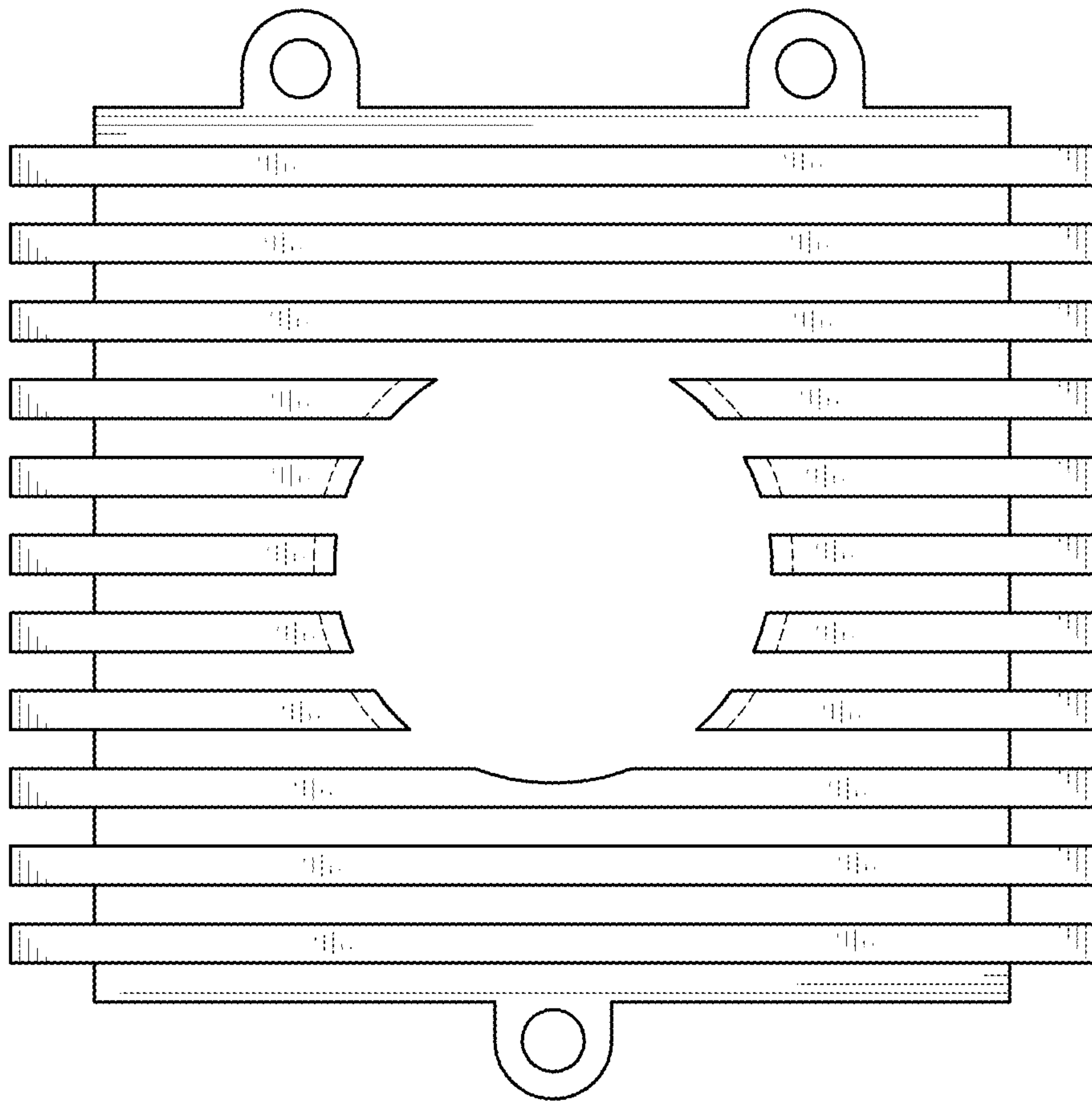


FIG. 7