



US00D730502S

(12) **United States Design Patent**  
**Keller**

(10) **Patent No.:** **US D730,502 S**

(45) **Date of Patent:** **\*\* May 26, 2015**

(54) **PORTABLE TOILET**

(71) Applicant: **ROCKART, INC.**, Mesa, AZ (US)

(72) Inventor: **Gary E. Keller**, Mesa, AZ (US)

(73) Assignee: **ROCKART, INC.**, Mesa, AZ (US)

(\*\*) Term: **14 Years**

(21) Appl. No.: **29/487,235**

(22) Filed: **Apr. 7, 2014**

(51) **LOC (10) Cl.** ..... **23-02**

(52) **U.S. Cl.**

USPC ..... **D23/311**

(58) **Field of Classification Search**

CPC ..... **A47K 11/02**

USPC ..... **D23/295, 301, 303, 309, 311**

See application file for complete search history.

(56) **References Cited**

**U.S. PATENT DOCUMENTS**

3,067,975	A *	12/1962	Wilcox	.....	248/694
5,083,324	A *	1/1992	Strong	.....	4/460
D358,459	S *	5/1995	Kiwarkis	.....	D23/309
6,023,792	A *	2/2000	Croucher et al.	.....	4/484
6,081,942	A *	7/2000	Bellamy	.....	4/460

6,125,480	A *	10/2000	Soffar et al.	.....	4/460
7,260,855	B2 *	8/2007	Aycock	.....	4/484
D685,893	S *	7/2013	Bennett	.....	D23/299

\* cited by examiner

*Primary Examiner* — Robert Delehanty

(74) *Attorney, Agent, or Firm* — Hartman Titus PLC; John D. Titus

(57) **CLAIM**

The ornamental design for a portable toilet, as shown.

**DESCRIPTION**

FIG. 1 is a top perspective view of a portable toilet showing an embodiment of my new design;

FIG. 2 is a bottom perspective view of the portable toilet shown in FIG. 1;

FIG. 3 is a top view of the portable toilet shown in FIG. 1;

FIG. 4 is a bottom view of the portable toilet shown in FIG. 1;

FIG. 5 is a front view of the portable toilet shown in FIG. 1;

FIG. 6 is a rear view of the portable toilet shown in FIG. 1;

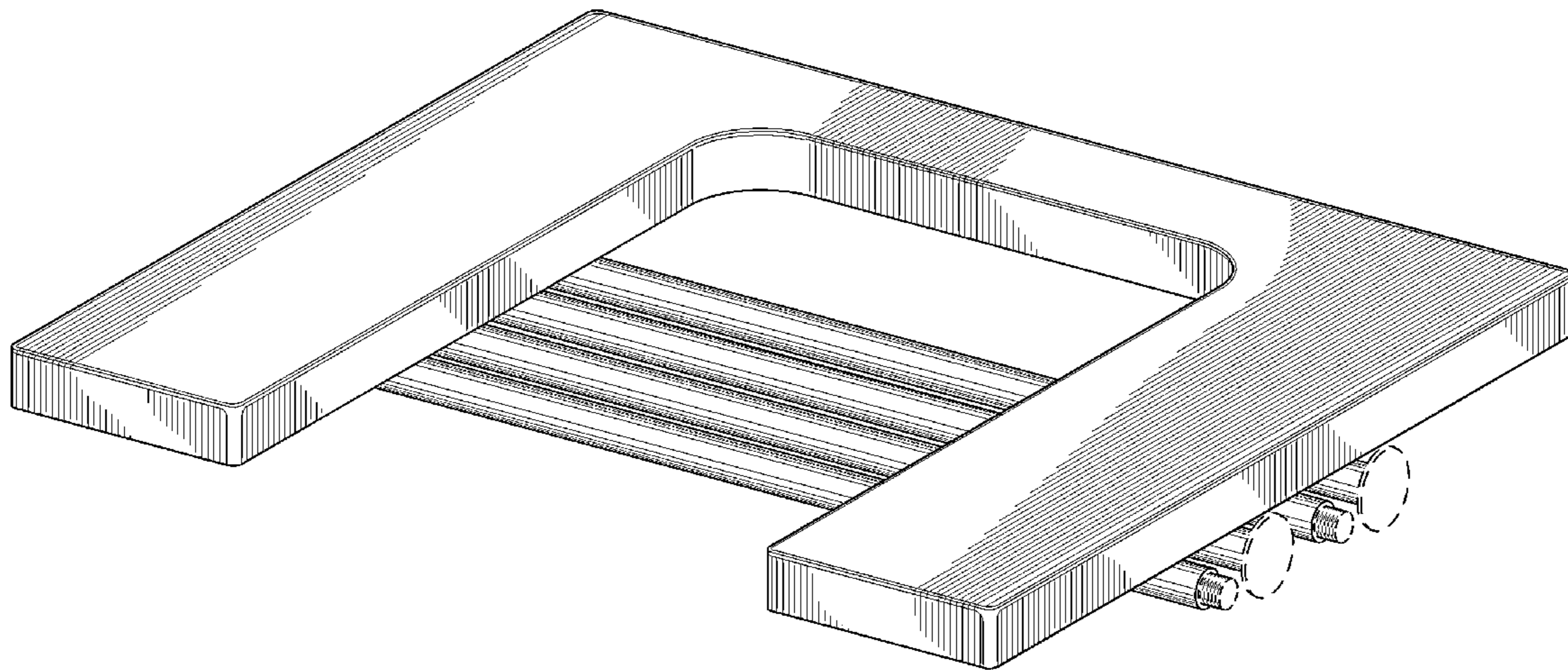
FIG. 7 is a left side view of the portable toilet shown in FIG. 1; and,

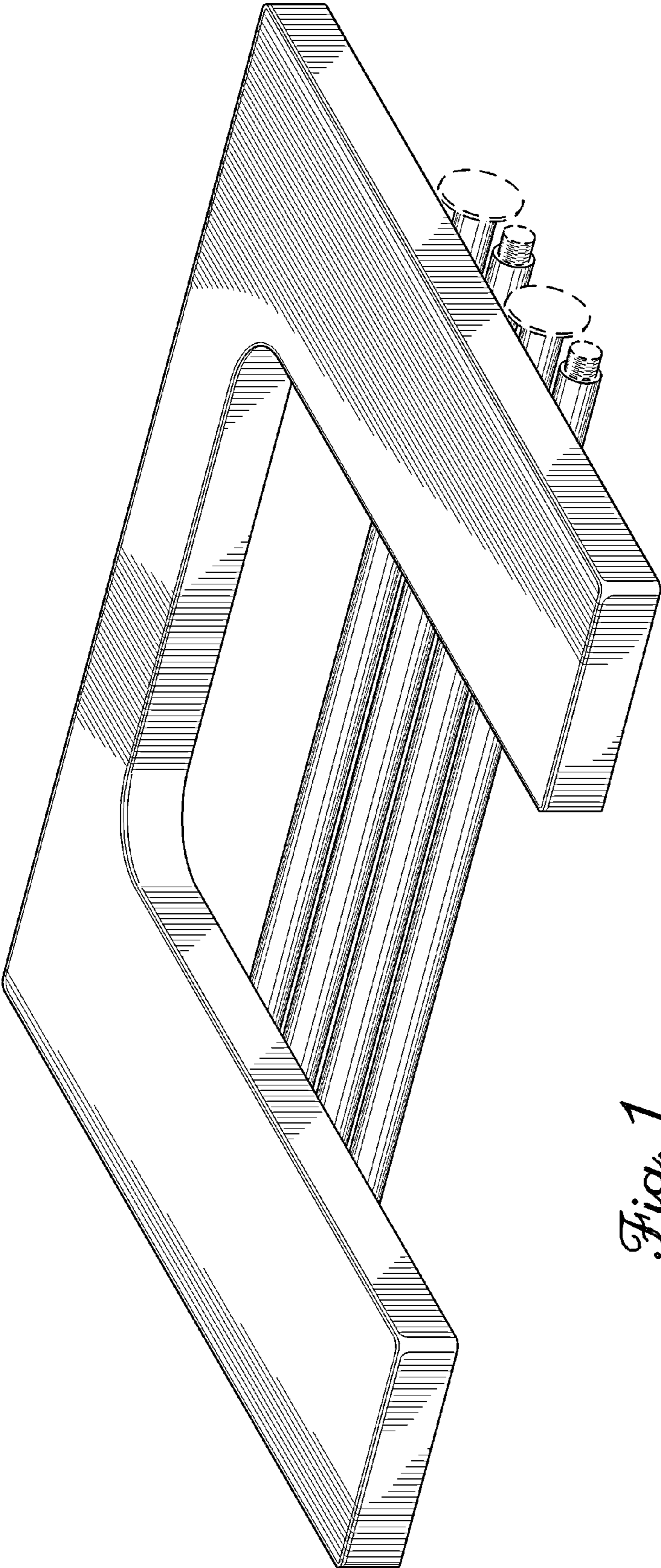
FIG. 8 is a right side view of the portable toilet shown in FIG. 1.

**1.**

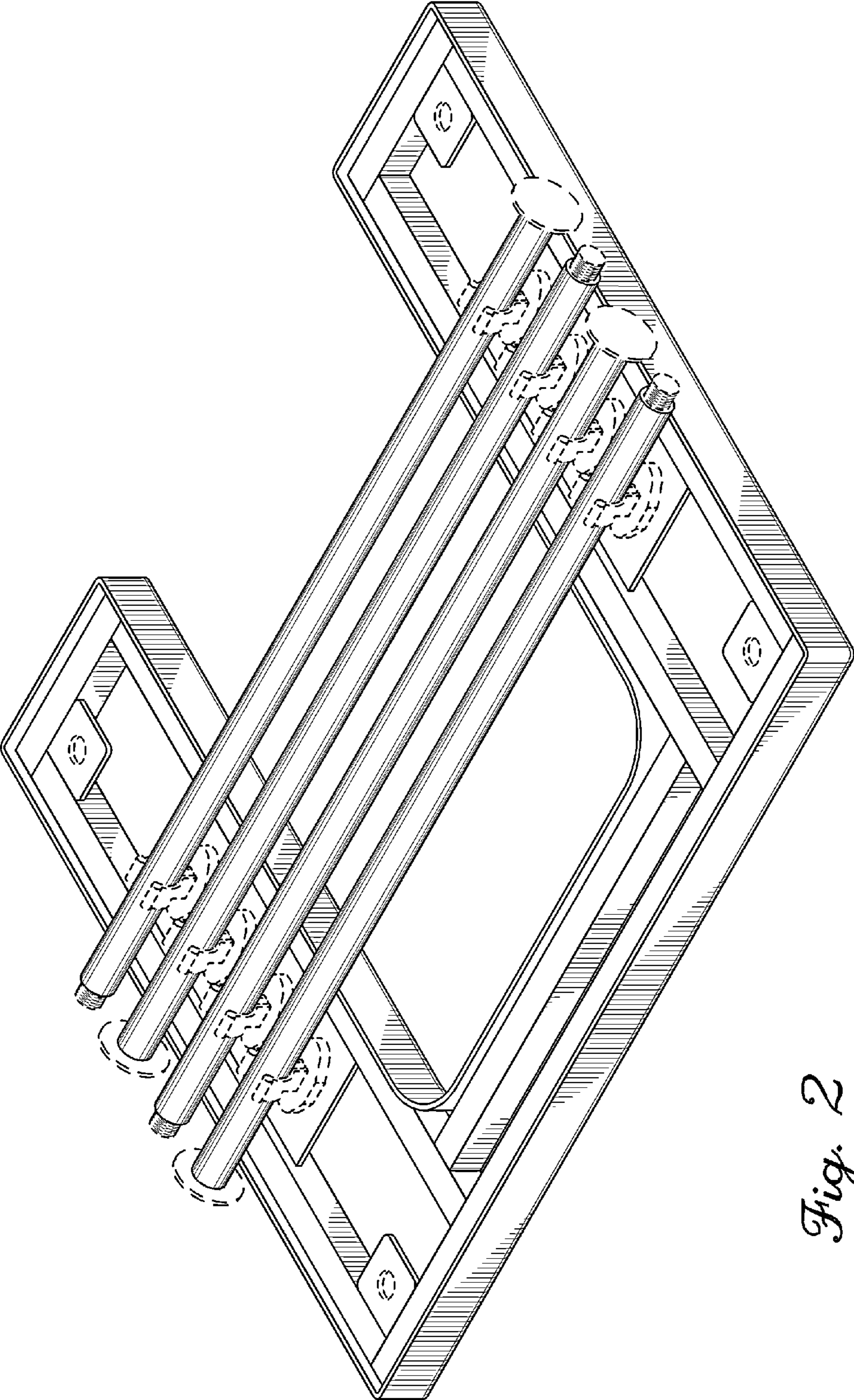
The broken lines form no part of the invention.

**1 Claim, 6 Drawing Sheets**



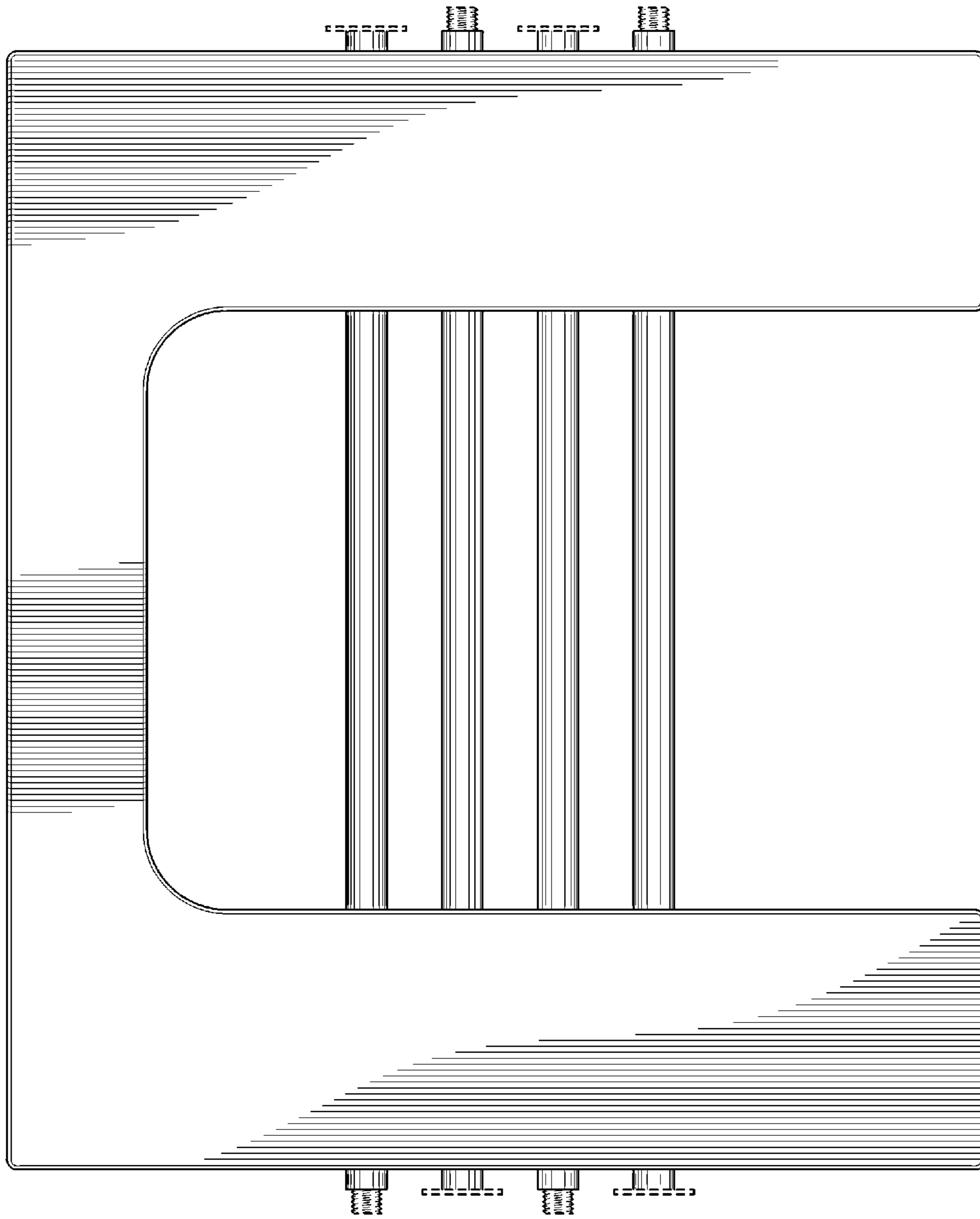


*Fig. 1*

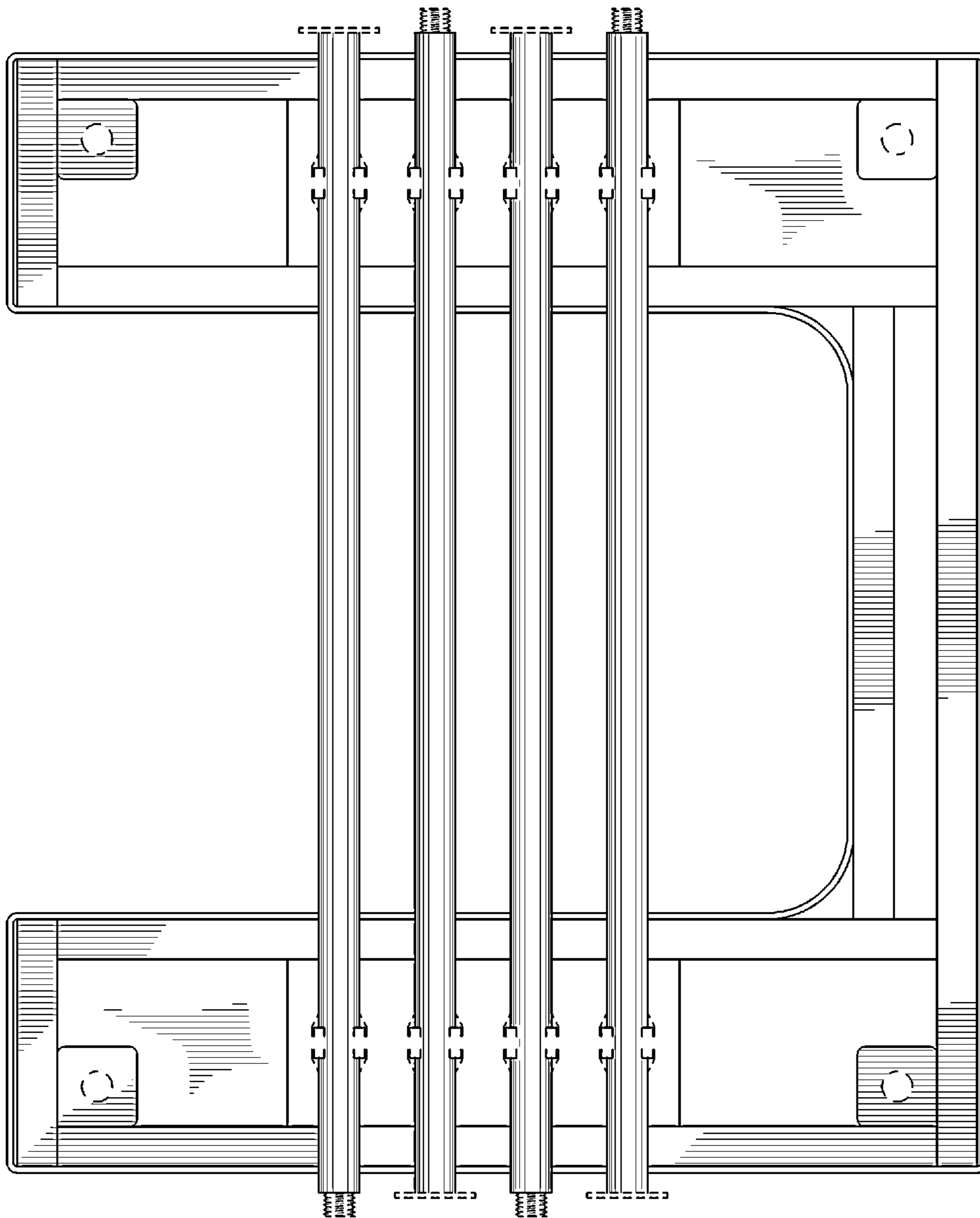


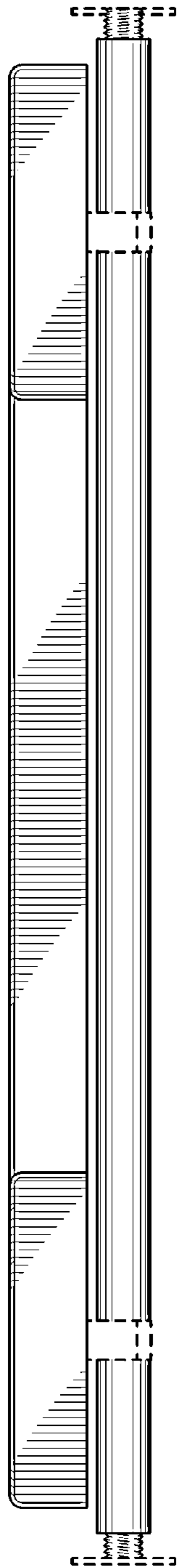
*Fig. 2*

*Fig. 3*

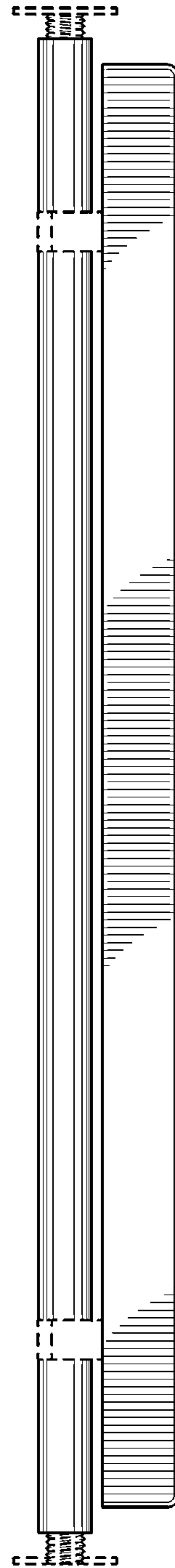


*Fig. 4*

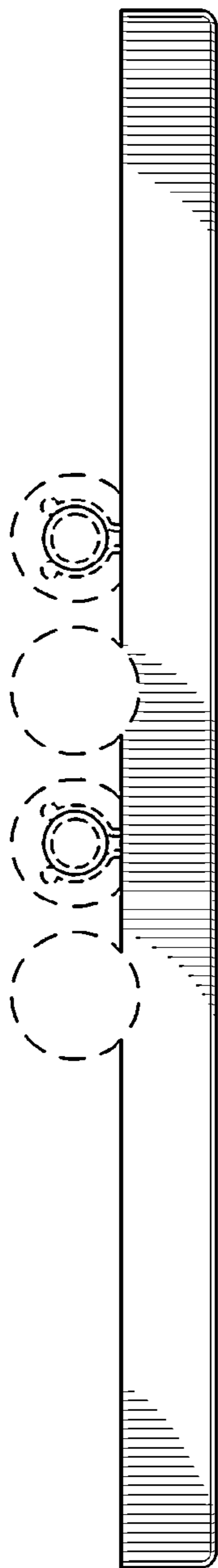




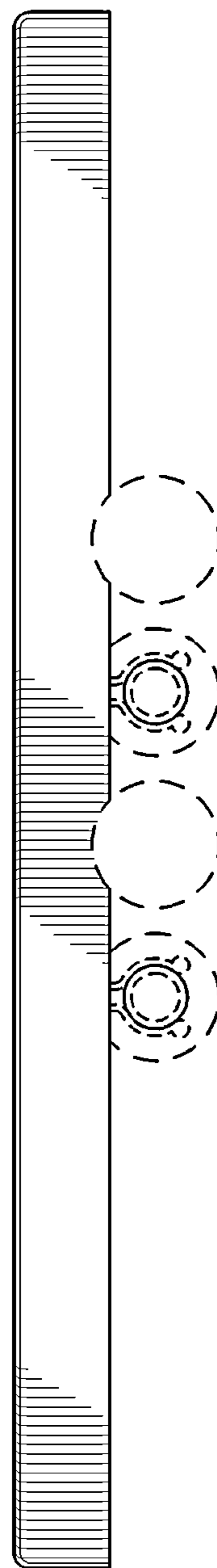
*Fig. 5*



*Fig. 6*



*Fig. 7*



*Fig. 8*