



US00D730499S

(12) **United States Design Patent**
Sclafani

(10) **Patent No.:** **US D730,499 S**

(45) **Date of Patent:** **** May 26, 2015**

(54) **HAIR WASHING SINK**

(71) Applicant: **Janene Sclafani**, Fort Lauderdale, FL
(US)

(72) Inventor: **Janene Sclafani**, Fort Lauderdale, FL
(US)

(**) Term: **14 Years**

(21) Appl. No.: **29/499,997**

(22) Filed: **Aug. 20, 2014**

Related U.S. Application Data

(62) Division of application No. 13/403,737, filed on Feb. 23, 2012, now Pat. No. 8,839,467.

(51) **LOC (10) Cl.** **23-02**

(52) **U.S. Cl.**
USPC **D23/289**

(58) **Field of Classification Search**
CPC A45D 19/14; A45D 19/10; A45D 19/04;
A45D 19/08; A45D 19/06
USPC D23/271, 284, 289, 291–293.1, 303,
D23/308; 4/515, 517, 518–523; D28/20
See application file for complete search history.

(56) **References Cited**

U.S. PATENT DOCUMENTS

236,212 A * 1/1881 Cartwright 297/402
906,410 A * 12/1908 Greene 4/520

2,347,859 A * 5/1944 Williams 297/402
4,014,054 A * 3/1977 Pasquarello 4/521
5,177,820 A * 1/1993 Varallo 4/523
5,692,251 A * 12/1997 Page 4/523
D672,918 S * 12/2012 Green D28/20
8,839,467 B2 * 9/2014 Sclafani 4/514

* cited by examiner

Primary Examiner — Robert Delehanty
(74) *Attorney, Agent, or Firm* — The Concept Law Group,
P.A.; Scott D. Smiley; Yongae Jun

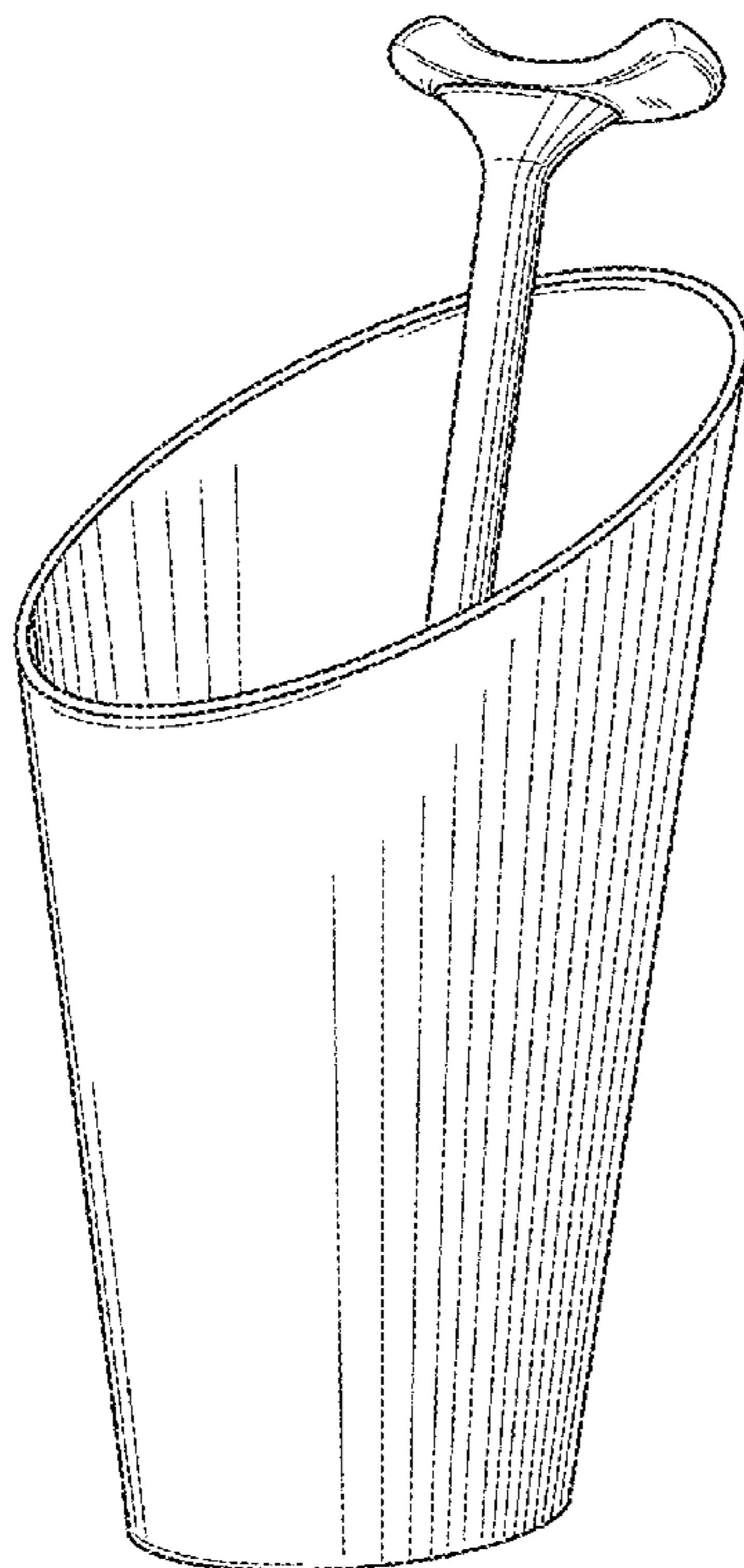
(57) **CLAIM**

The ornamental design for a hair washing sink, as shown and described.

DESCRIPTION

FIG. 1 is a perspective downward-looking view of a hair washing sink in accordance with the present invention;
FIG. 2 is an elevational front view of the hair washing sink of FIG. 1;
FIG. 3 is an elevational rear view of the hair washing sink of FIG. 1;
FIG. 4 is an elevational left-side view of the hair washing sink of FIG. 1;
FIG. 5 is an elevational right-side view of the hair washing sink of FIG. 1;
FIG. 6 is a top view of the hair washing sink of FIG. 1; and,
FIG. 7 is a bottom view of the hair washing sink of FIG. 1.

1 Claim, 4 Drawing Sheets



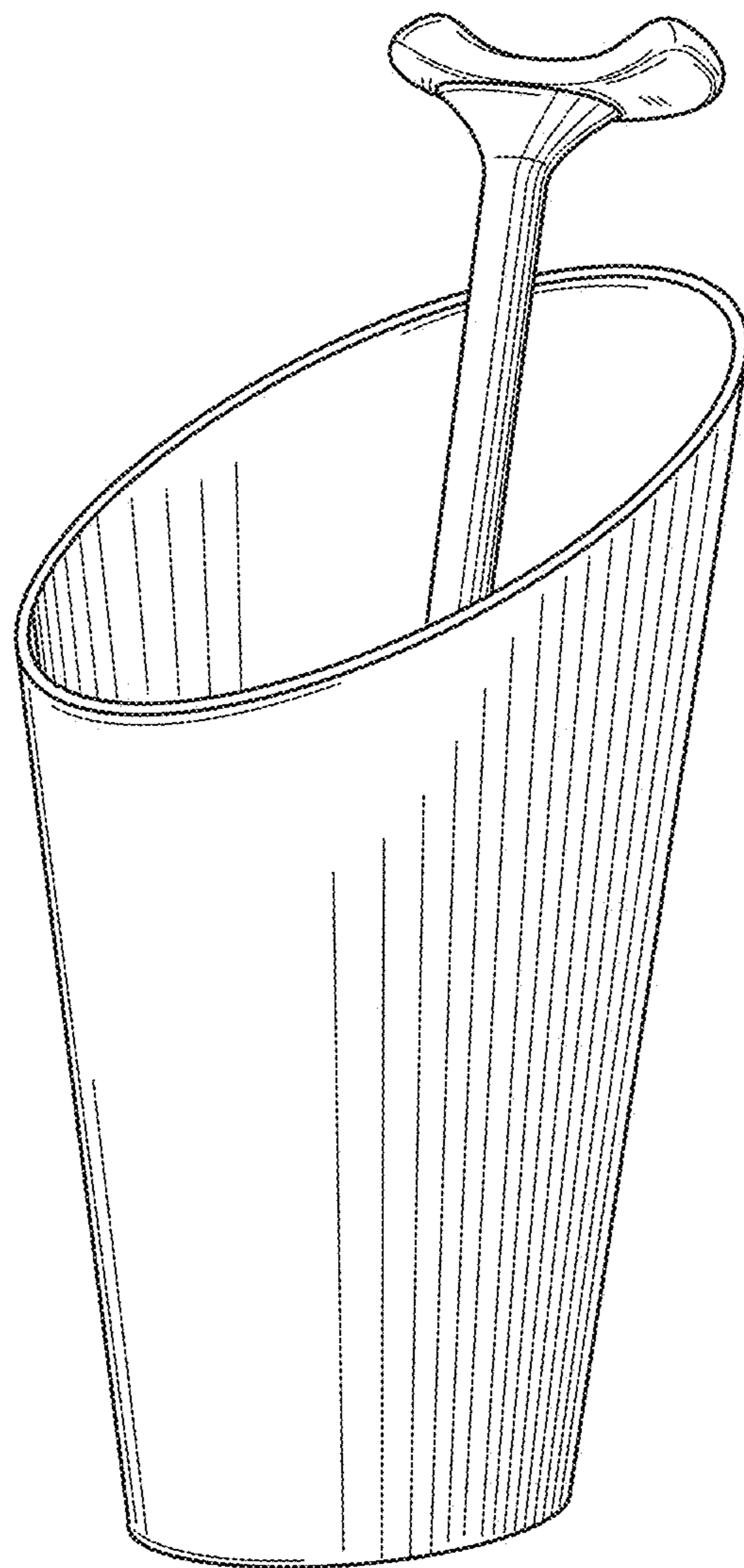


FIG. 1

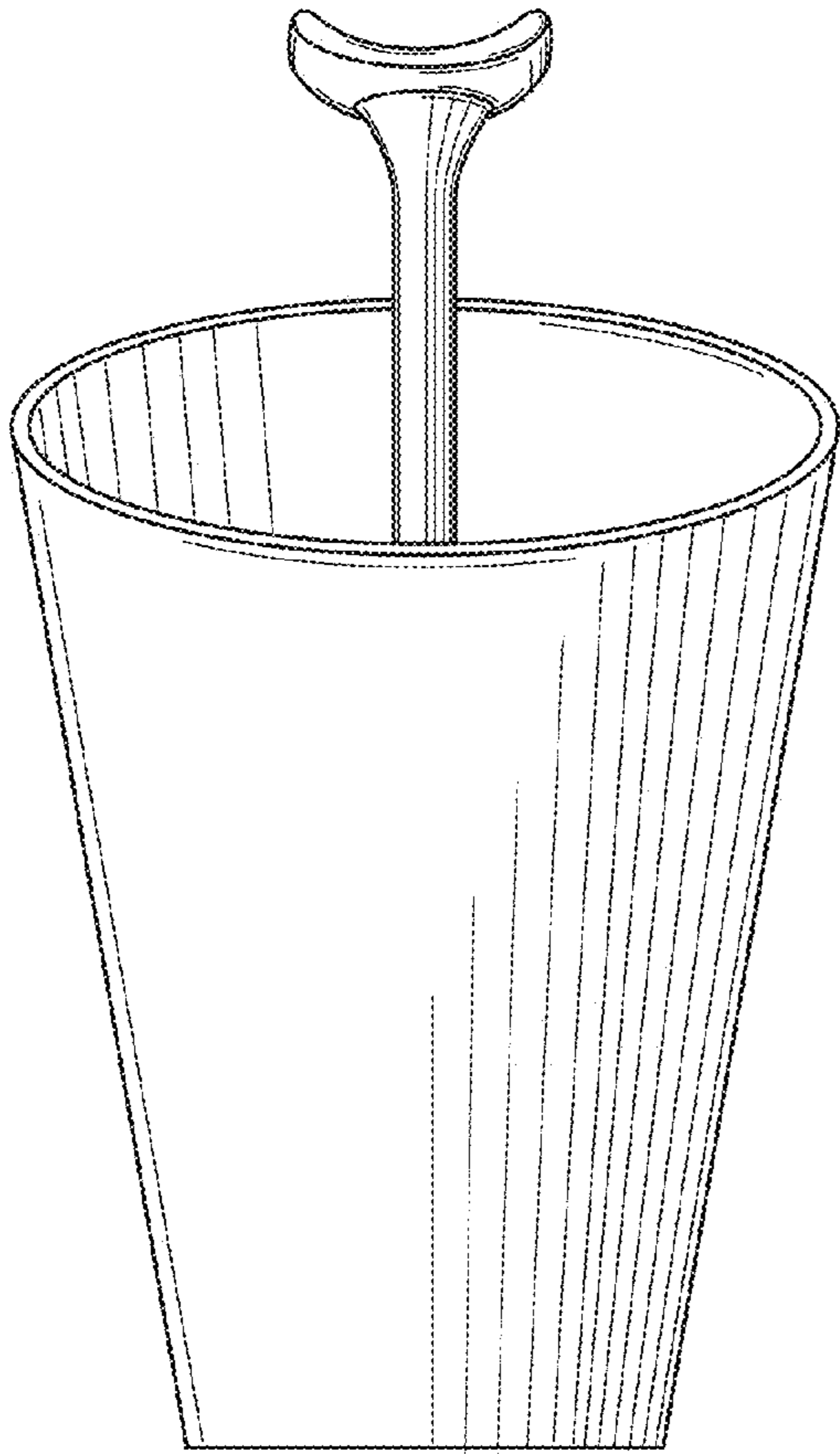


FIG. 2

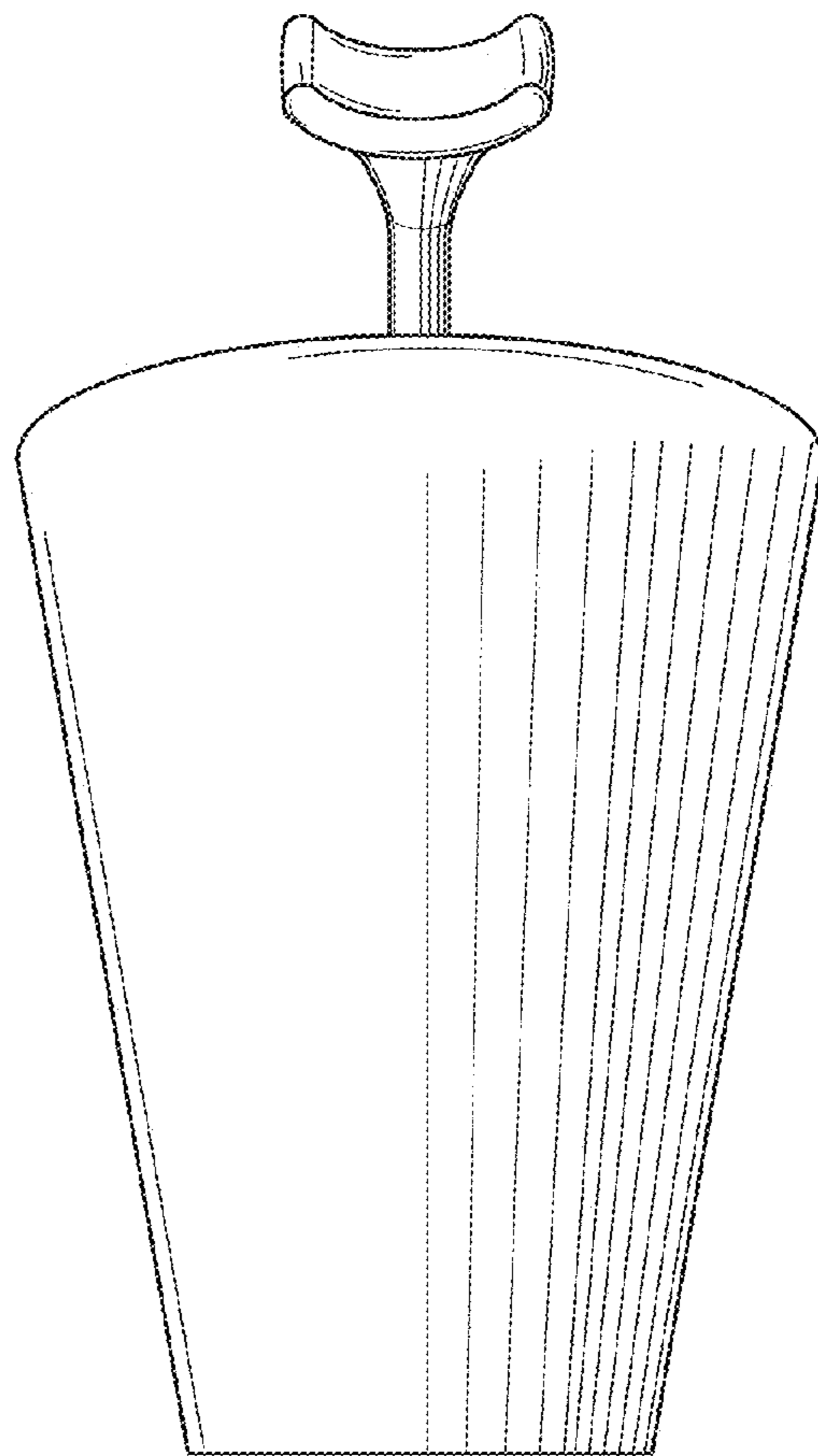


FIG. 3

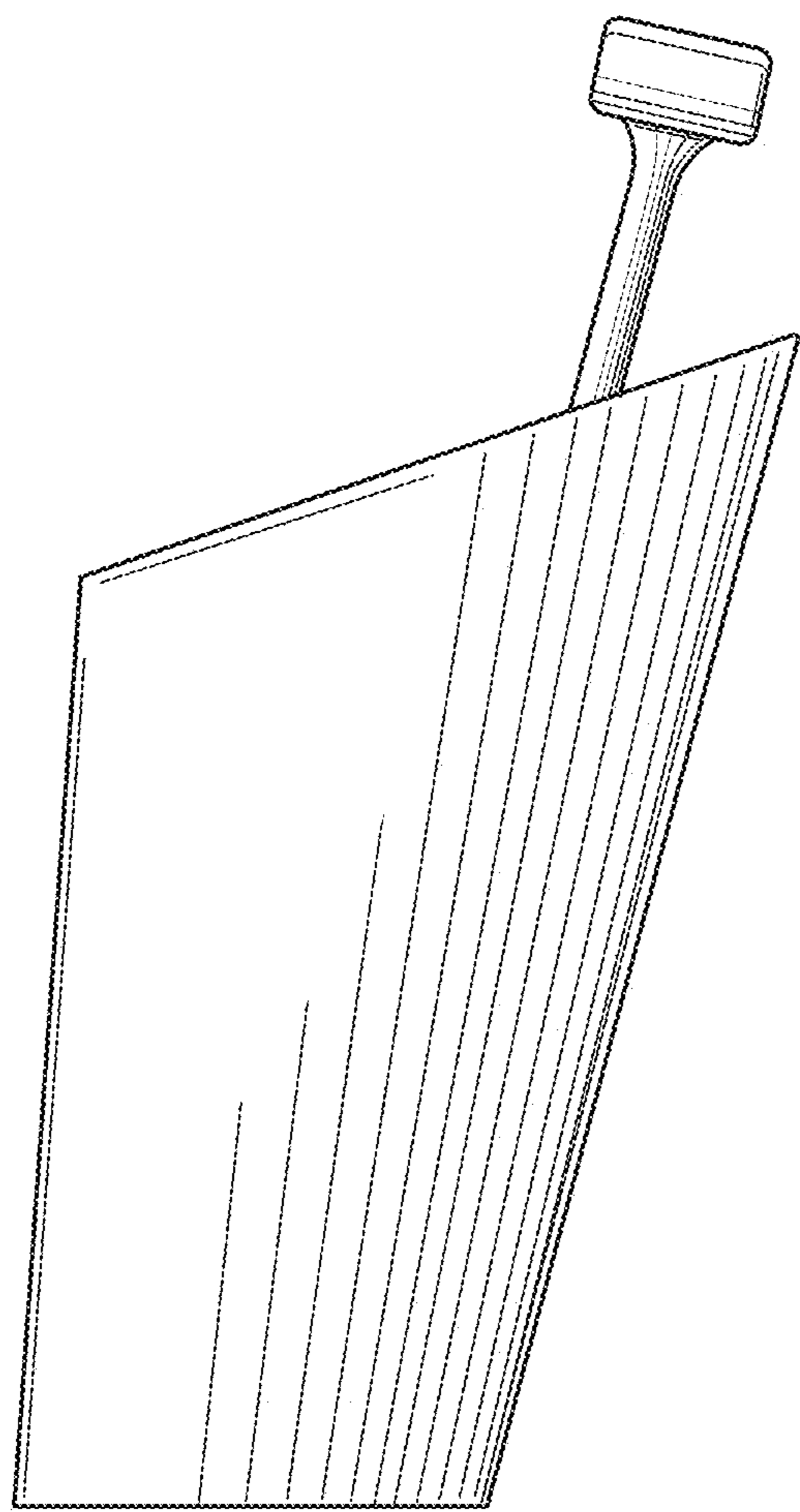


FIG. 4

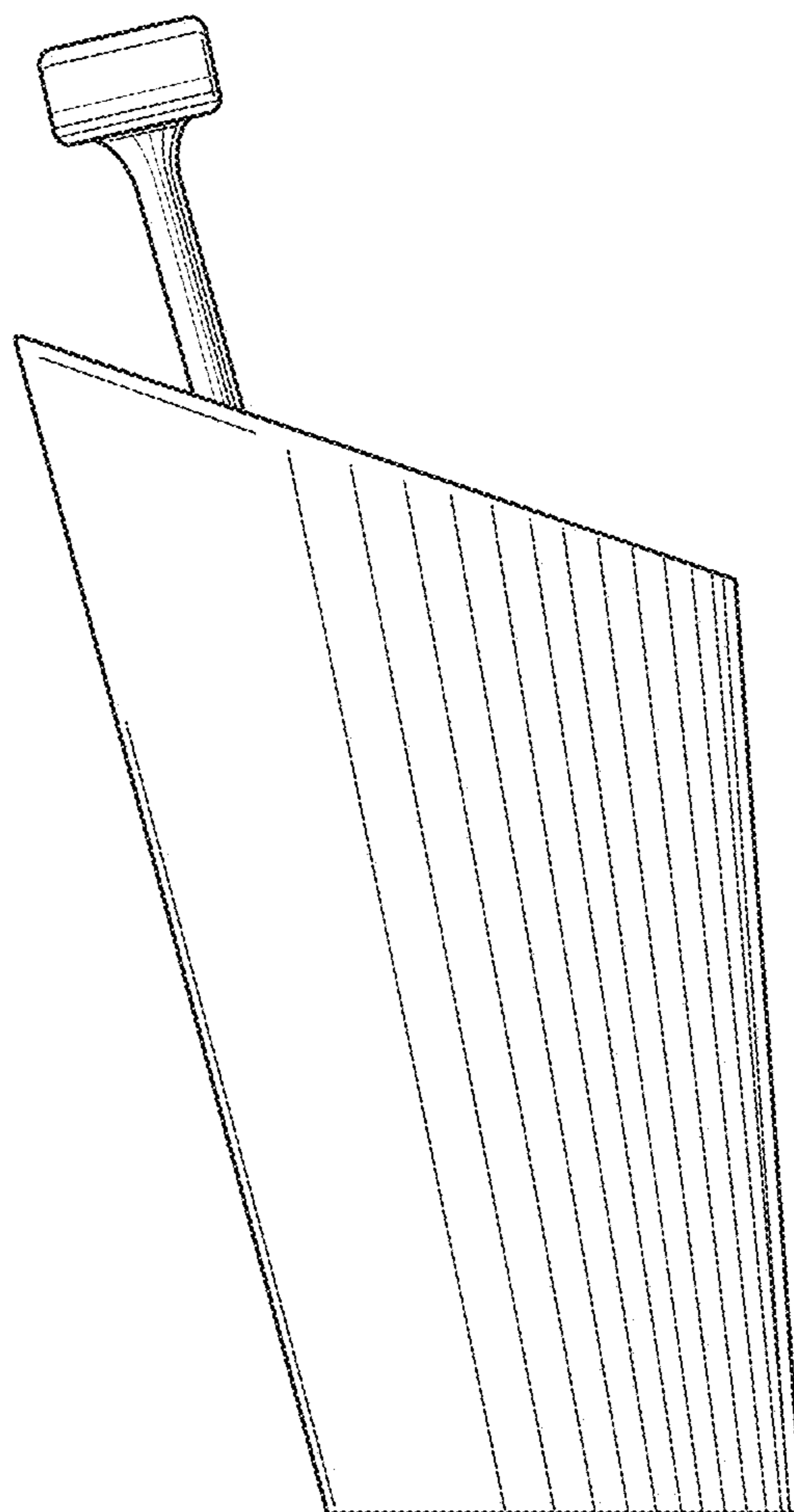


FIG. 5

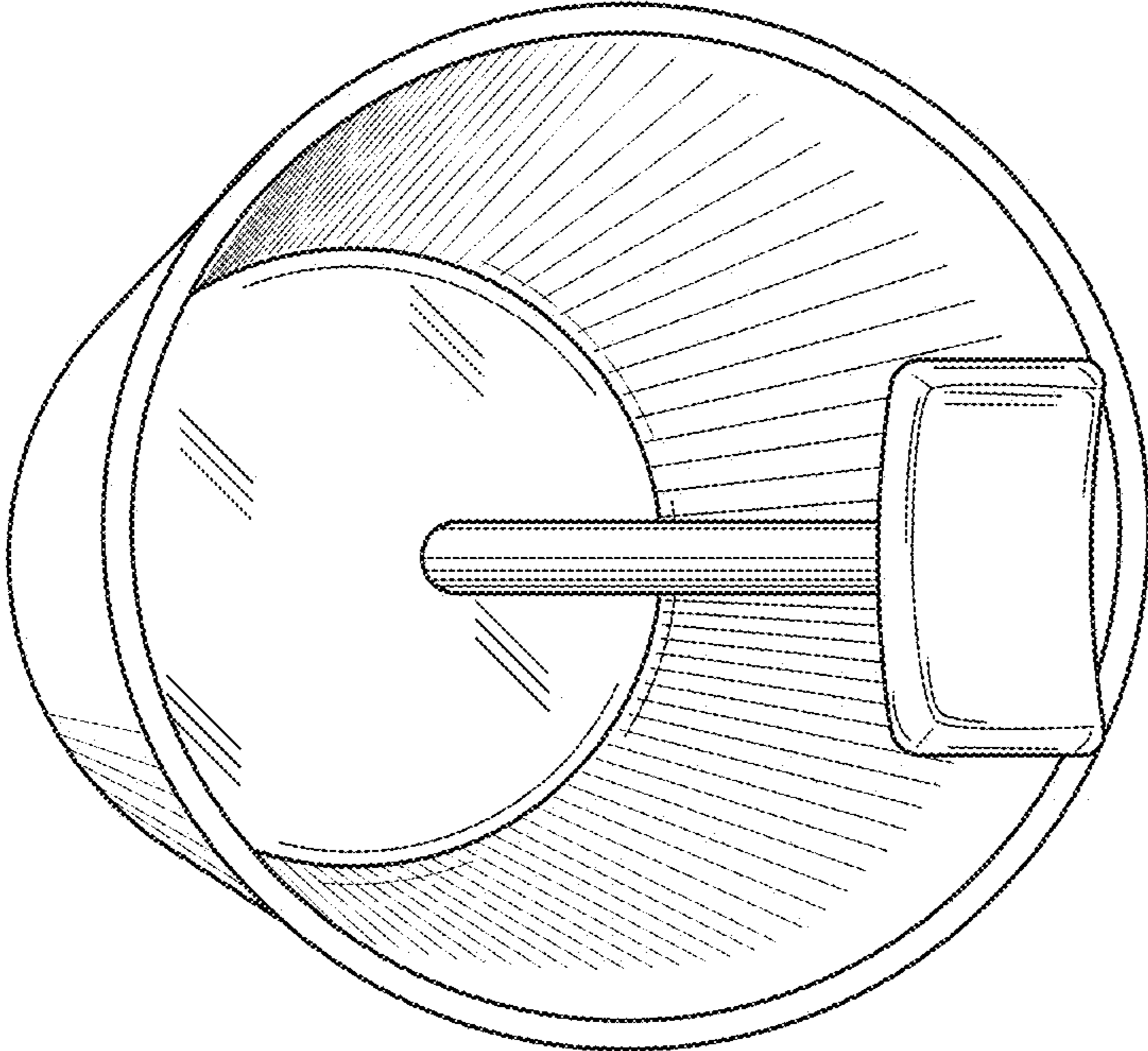


FIG. 6

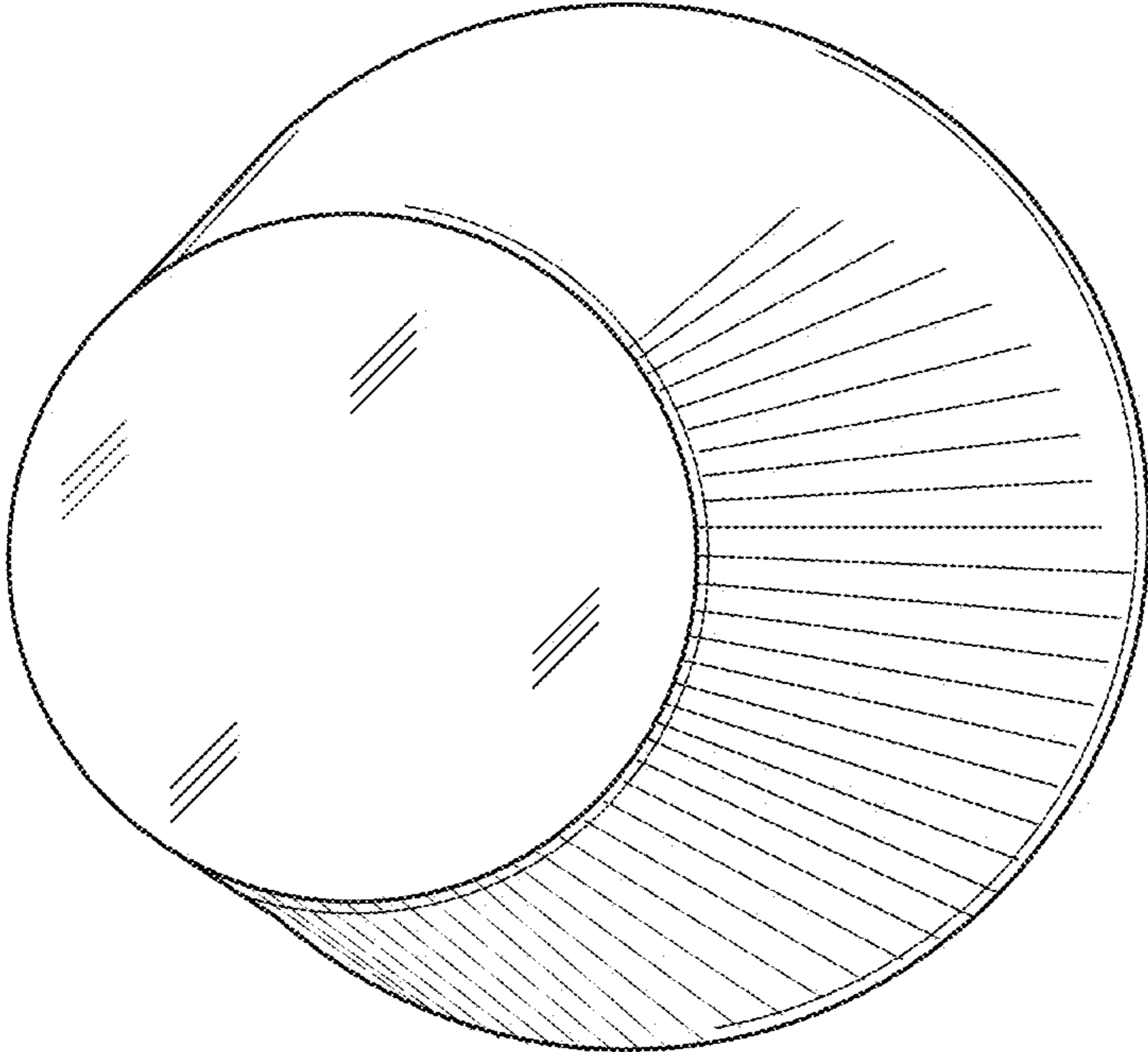


FIG. 7