



US00D730498S

(12) **United States Design Patent**
Gonzalez

(10) **Patent No.:** **US D730,498 S**

(45) **Date of Patent:** **** *May 26, 2015**

(54) **UNIVERSAL HEIGHT ABSORBING TOILET SEAL WITH SLEEVE**

(71) Applicant: **Coflex S.A. de C.V.**, Monterrey, Nuevo Leon (MX)

(72) Inventor: **Pedro Gonzalez**, San Pedro Garza Garcia (MX)

(73) Assignee: **COFLEX S.A. DE C.V. (MX)**

(*) Notice: This patent is subject to a terminal disclaimer.

(**) Term: **14 Years**

(21) Appl. No.: **29/495,929**

(22) Filed: **Jul. 7, 2014**

(51) **LOC (10) Cl.** **23-01**

(52) **U.S. Cl.**
USPC **D23/269**

(58) **Field of Classification Search**
USPC D23/249, 259, 260, 262, 266, 269;
285/15, 95, 133.21, 232, 351; 277/351,
277/352, 353, 354, 372, 504, 626
See application file for complete search history.

(56) **References Cited**

U.S. PATENT DOCUMENTS

D35,534 S *	12/1901	Conlin et al.	D23/269
3,579,670 A *	5/1971	Frank et al.	4/252.5
4,827,539 A *	5/1989	Kiziah	4/252.4
D323,213 S *	1/1992	Iacone	D24/129
5,377,361 A *	1/1995	Piskula	4/252.4
D359,451 S *	6/1995	Dees	D9/443
D372,074 S *	7/1996	Wallace et al.	D23/269
D385,956 S *	11/1997	Doughty et al.	D23/259
7,055,184 B2 *	6/2006	Humber	4/252.4
D563,531 S *	3/2008	Katsura et al.	D23/269
7,350,243 B2 *	4/2008	Zahuranec	4/252.4
D574,931 S *	8/2008	Hughes	D23/262

(Continued)

Primary Examiner — Eric Goodman

Assistant Examiner — Daniel J Domino

(74) *Attorney, Agent, or Firm* — Baker & McKenzie LLP

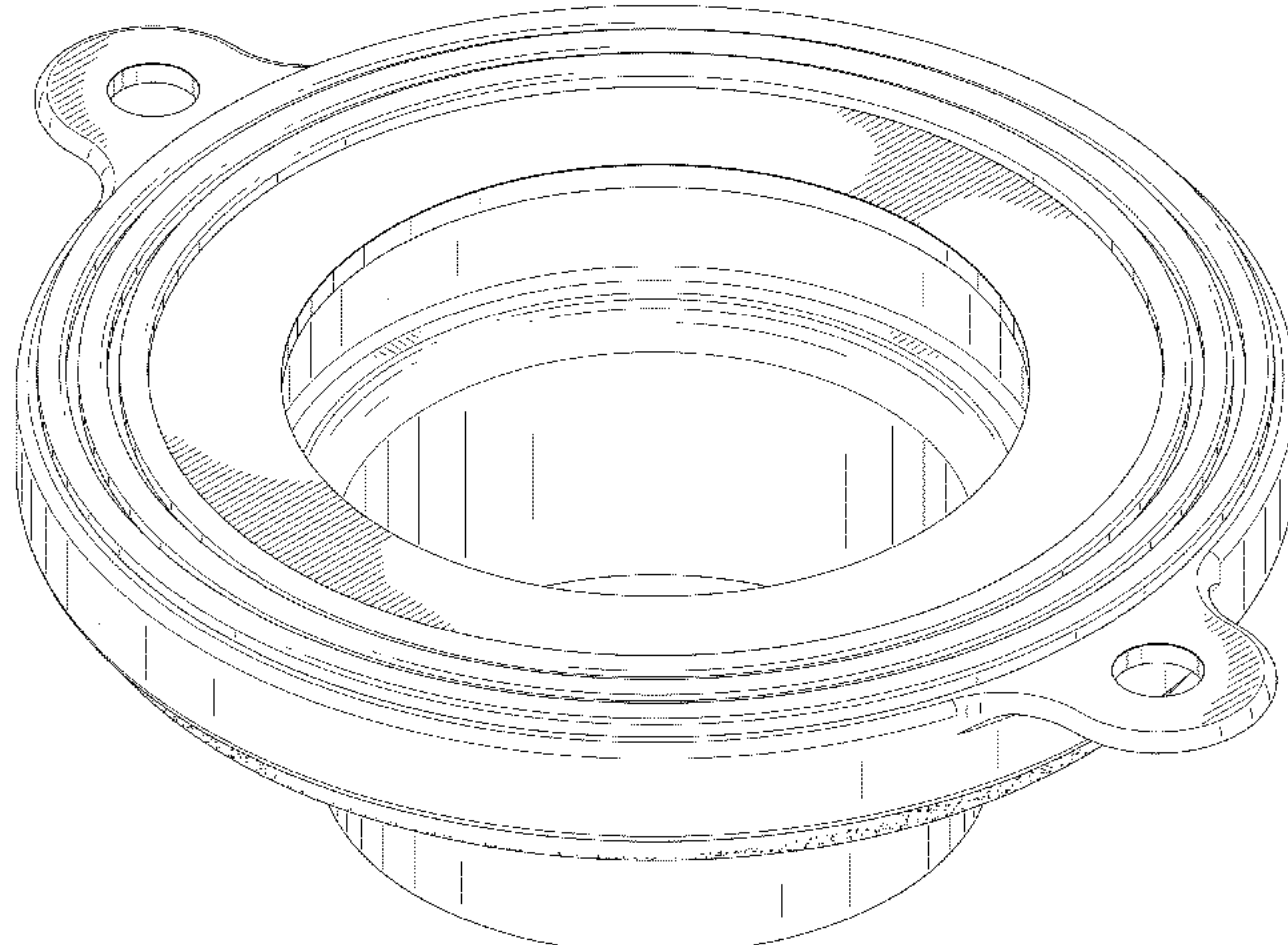
(57) **CLAIM**

The ornamental design for a universal height absorbing toilet seal with sleeve, as shown and described.

DESCRIPTION

FIG. 1 is a top perspective view of a first embodiment of a universal height absorbing toilet seal;
 FIG. 2 is a front view of the universal height absorbing toilet seal shown in FIG. 1;
 FIG. 3 is a back view of the universal height absorbing toilet seal shown in FIG. 1;
 FIG. 4 is a side view of the universal height absorbing toilet seal shown in FIG. 1;
 FIG. 5 is an opposite side view of the universal height absorbing toilet seal shown in FIG. 1;
 FIG. 6 is a top view of the universal height absorbing toilet seal shown in FIG. 1;
 FIG. 7 is a bottom view of the universal height absorbing toilet seal shown in FIG. 1;
 FIG. 8 is a bottom perspective view of the universal height absorbing toilet seal shown in FIG. 1;
 FIG. 9 is a top perspective view of a second embodiment of a universal height absorbing toilet seal;
 FIG. 10 is a front view of the universal height absorbing toilet seal shown in FIG. 9;
 FIG. 11 is a back view of the universal height absorbing toilet seal shown in FIG. 9;
 FIG. 12 is a side view of the universal height absorbing toilet seal shown in FIG. 9;
 FIG. 13 is an opposite side view of the universal height absorbing toilet seal shown in FIG. 9;
 FIG. 14 is a top view of the universal height absorbing toilet seal shown in FIG. 9;
 FIG. 15 is a bottom view of the universal height absorbing toilet seal shown in FIG. 9; and,
 FIG. 16 is a bottom perspective view of the universal height absorbing toilet seal shown in FIG. 9.

1 Claim, 12 Drawing Sheets



(56)

References Cited

U.S. PATENT DOCUMENTS

D605,739 S *	12/2009	Henry et al.	D23/269	D714,917 S *	10/2014	Miller et al.	D23/269
D614,272 S *	4/2010	Henry et al.	D23/269	8,910,321 B2 *	12/2014	Coronado et al.	4/252.4
8,099,801 B2 *	1/2012	Hughes	4/252.5	2004/0245726 A1 *	12/2004	Gravier	277/438
D653,734 S *	2/2012	Sisk	D23/269	2005/0175211 A1 *	8/2005	Suzuki	381/395
D655,796 S *	3/2012	DeWitt et al.	D23/269	2005/0278841 A1 *	12/2005	Coronado et al.	4/252.5
D659,808 S *	5/2012	Zeyfang	D23/260	2006/0253971 A1 *	11/2006	Colin et al.	4/541.6
D681,176 S *	4/2013	Chacko	D23/269	2010/0237569 A1 *	9/2010	Jimenez et al.	277/608
D706,909 S *	6/2014	van de Klippe et al.	D23/269	2011/0181040 A1 *	7/2011	Thompson et al.	285/148.23
				2013/0152291 A1 *	6/2013	Stonecipher et al.	4/252.1
				2014/0014867 A1 *	1/2014	Hung	251/314

* cited by examiner

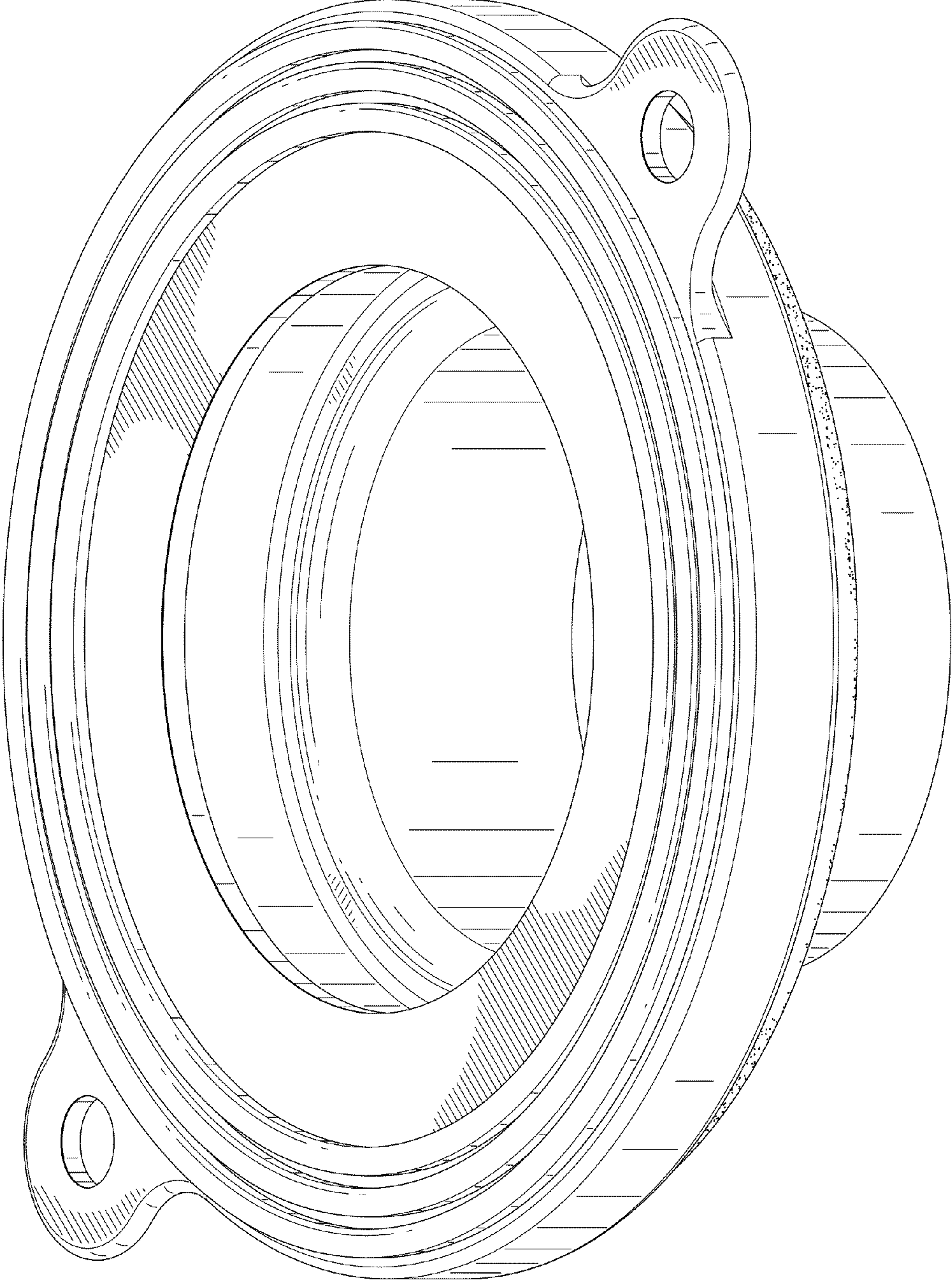


FIG. 1

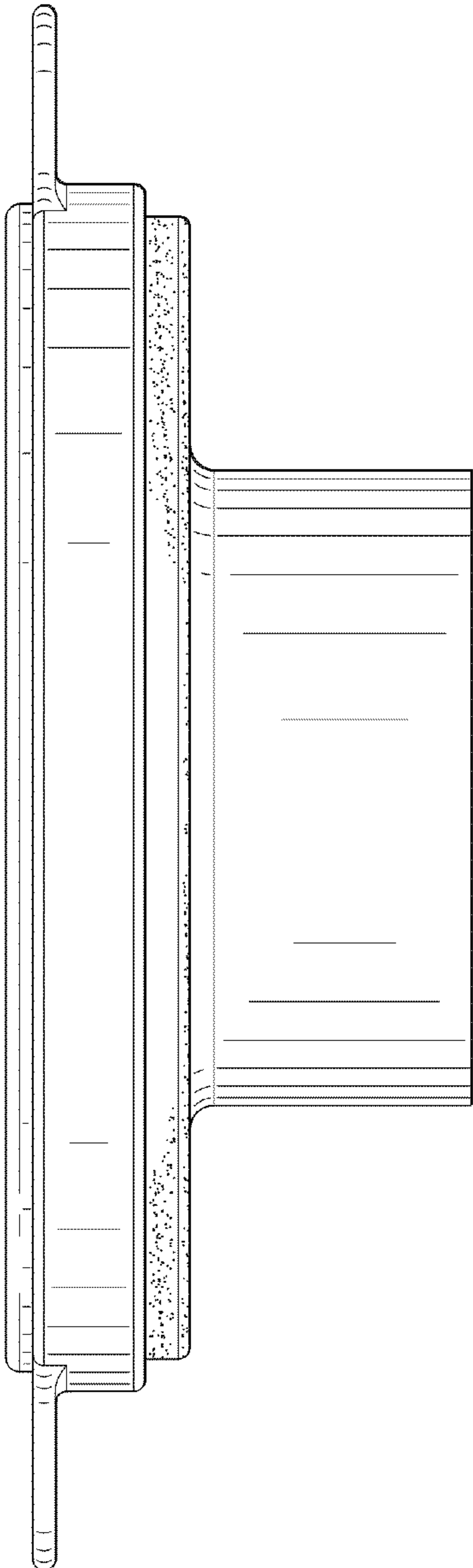


FIG. 2

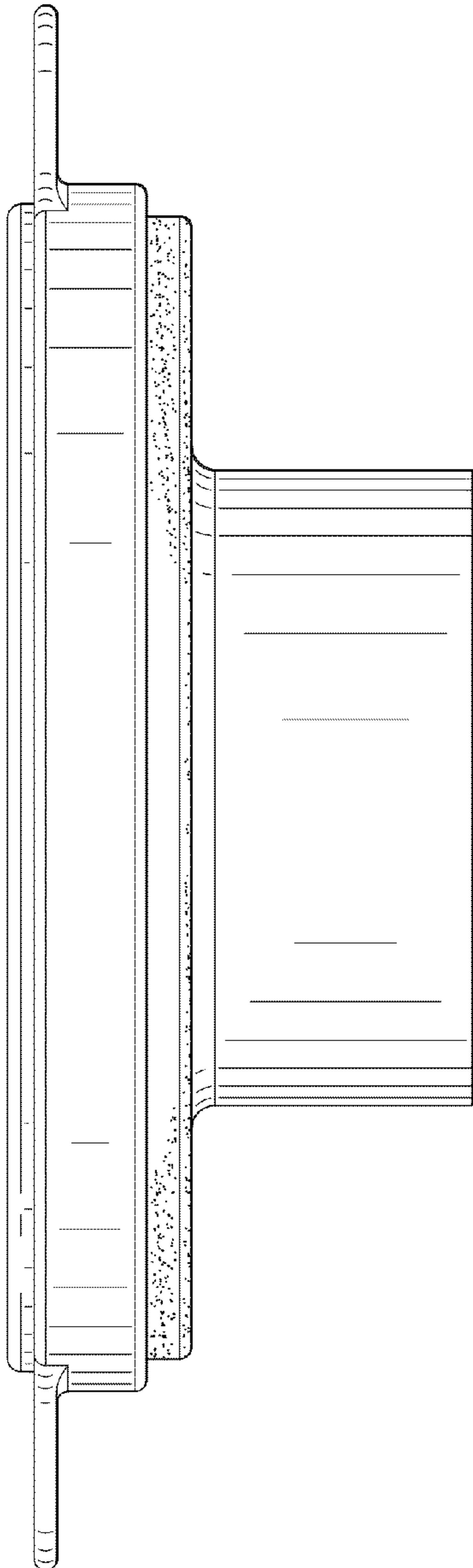


FIG. 3

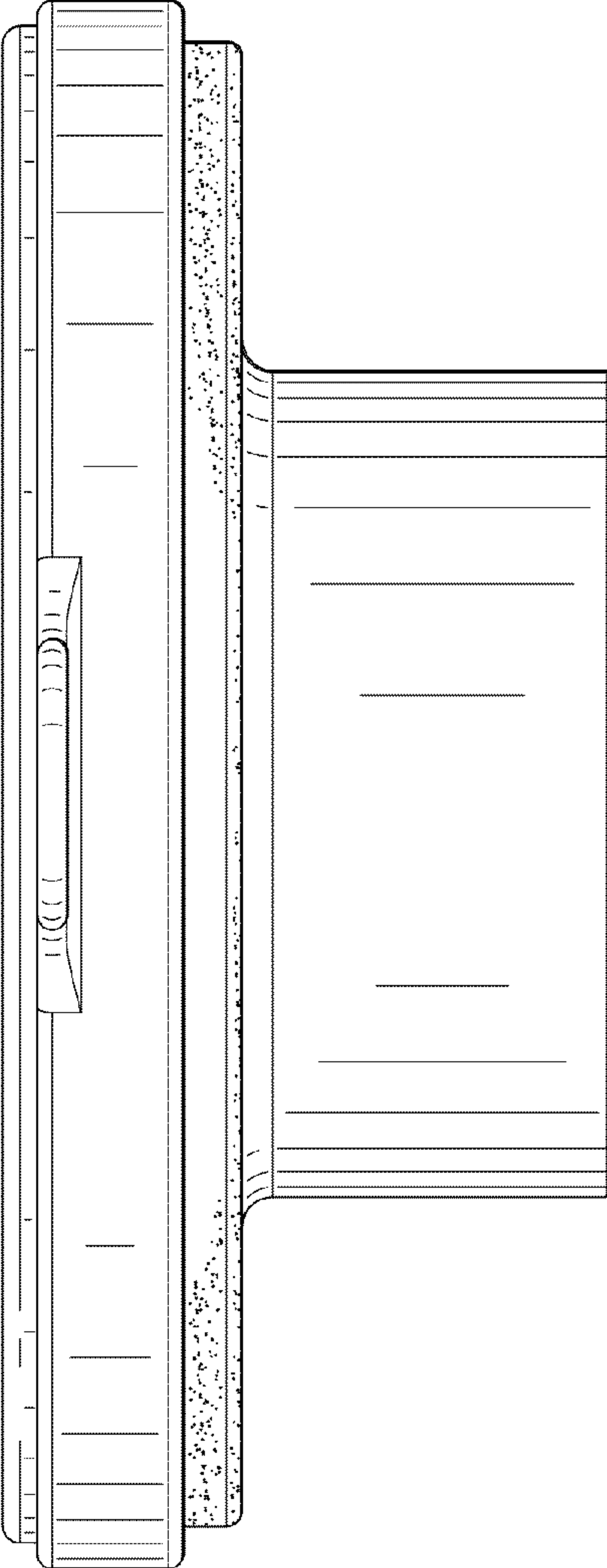


FIG. 4

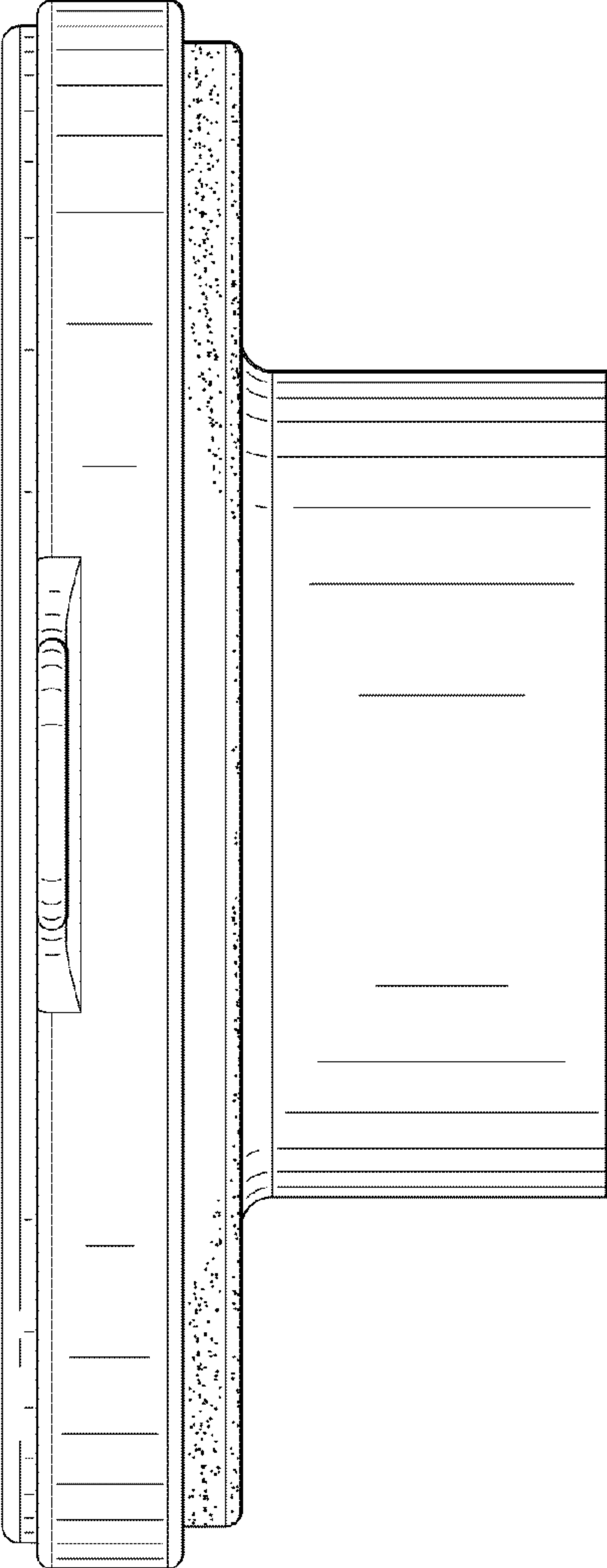


FIG. 5

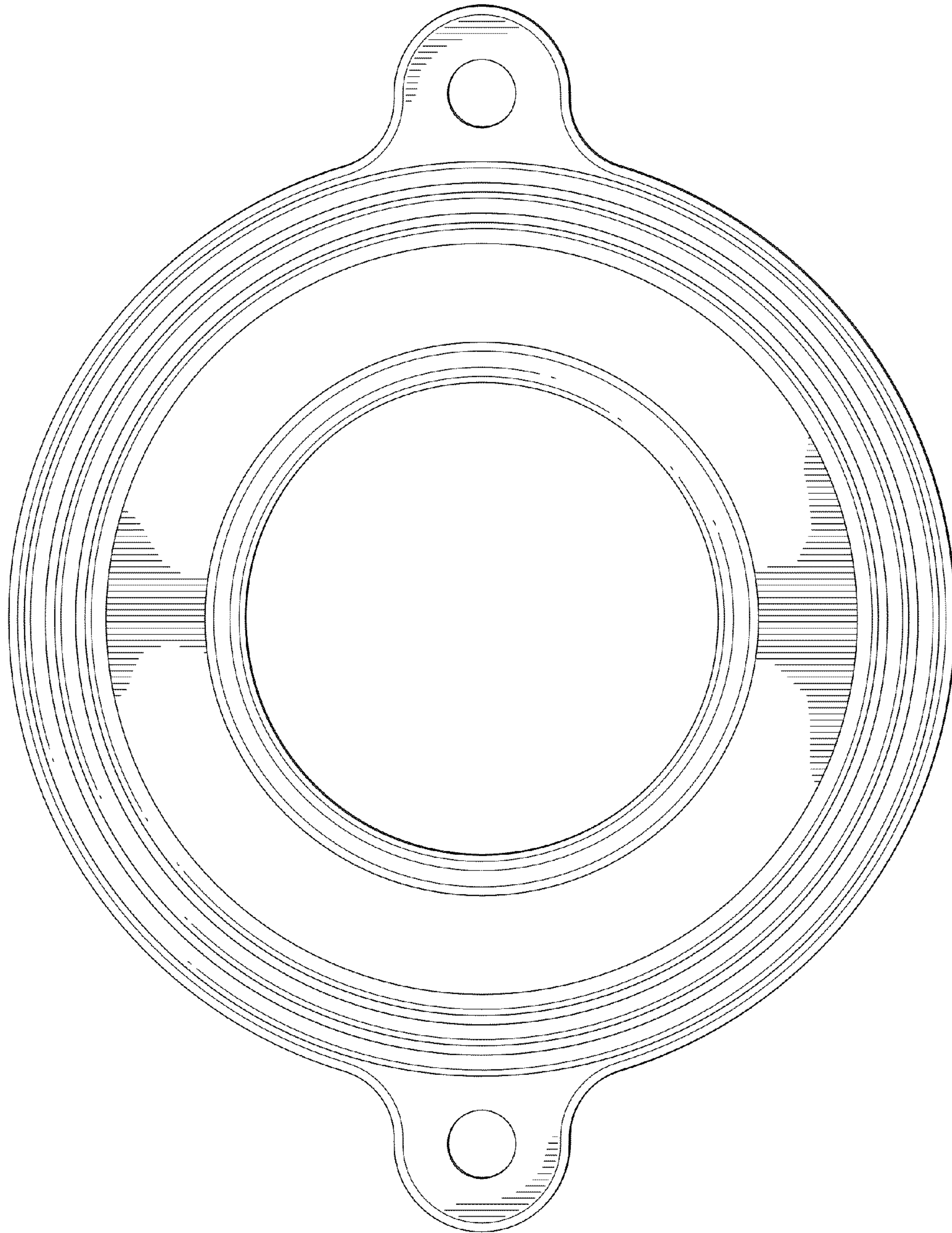


FIG. 6

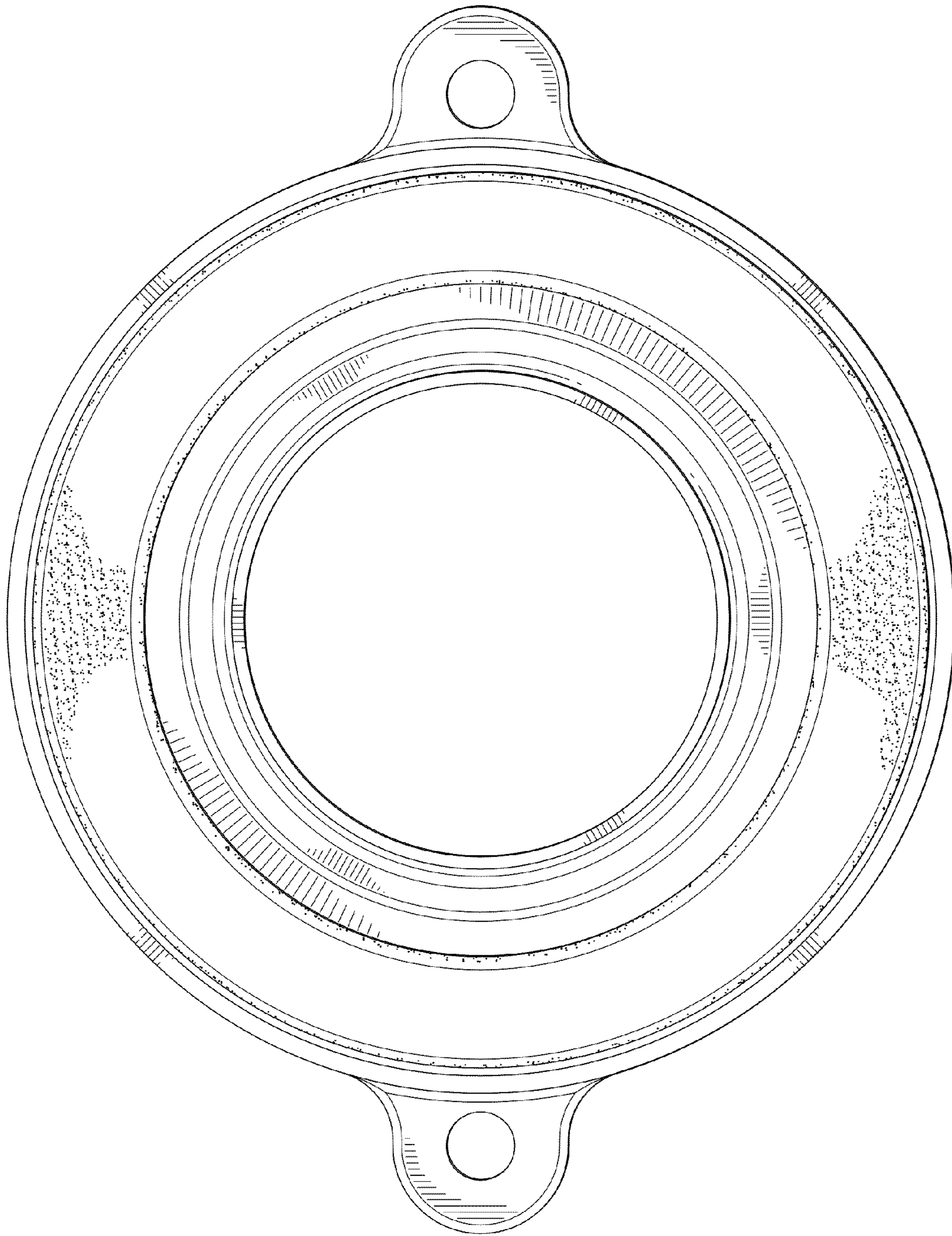


FIG. 7

24167117.000096

6/12

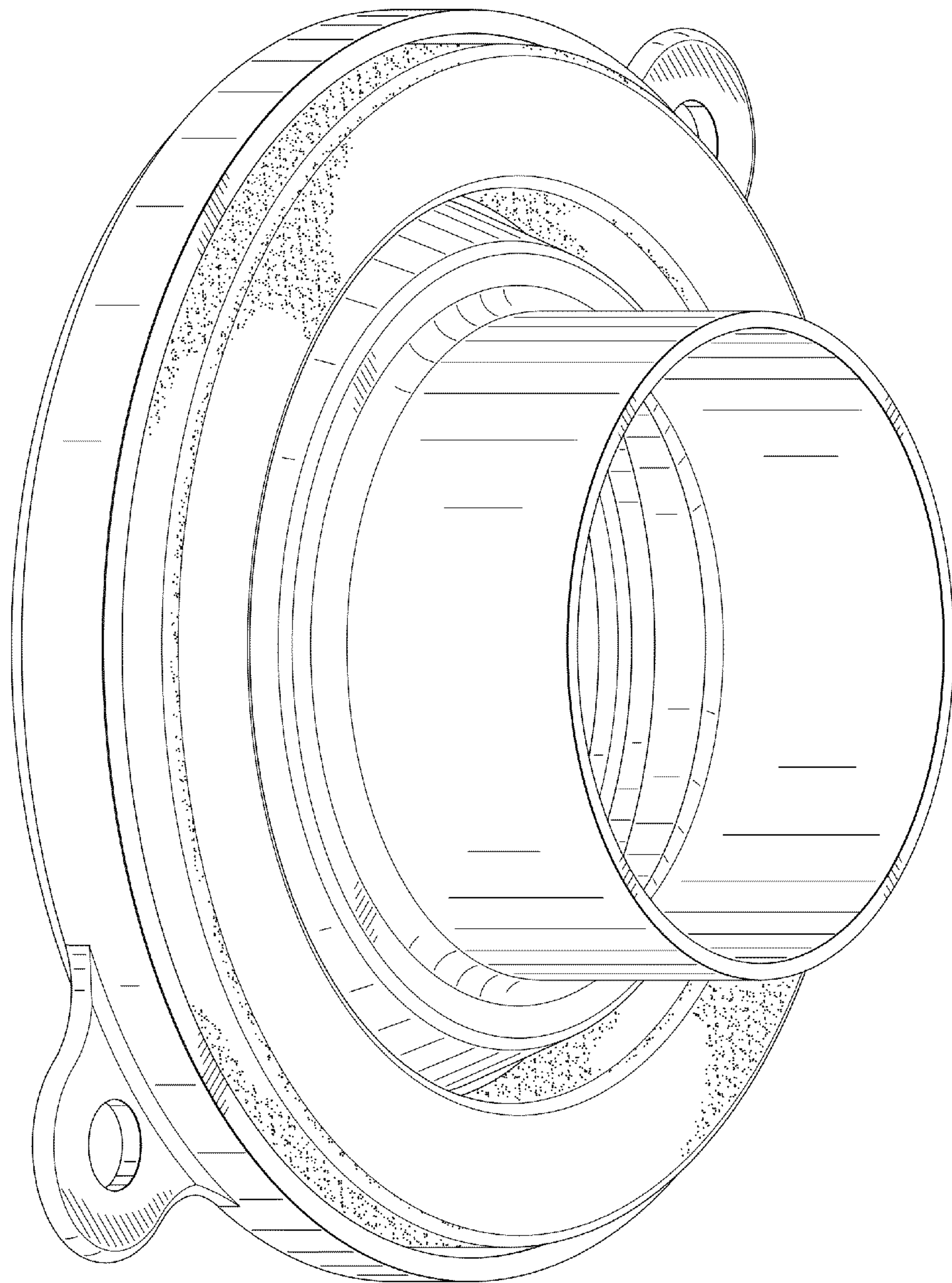


FIG. 8

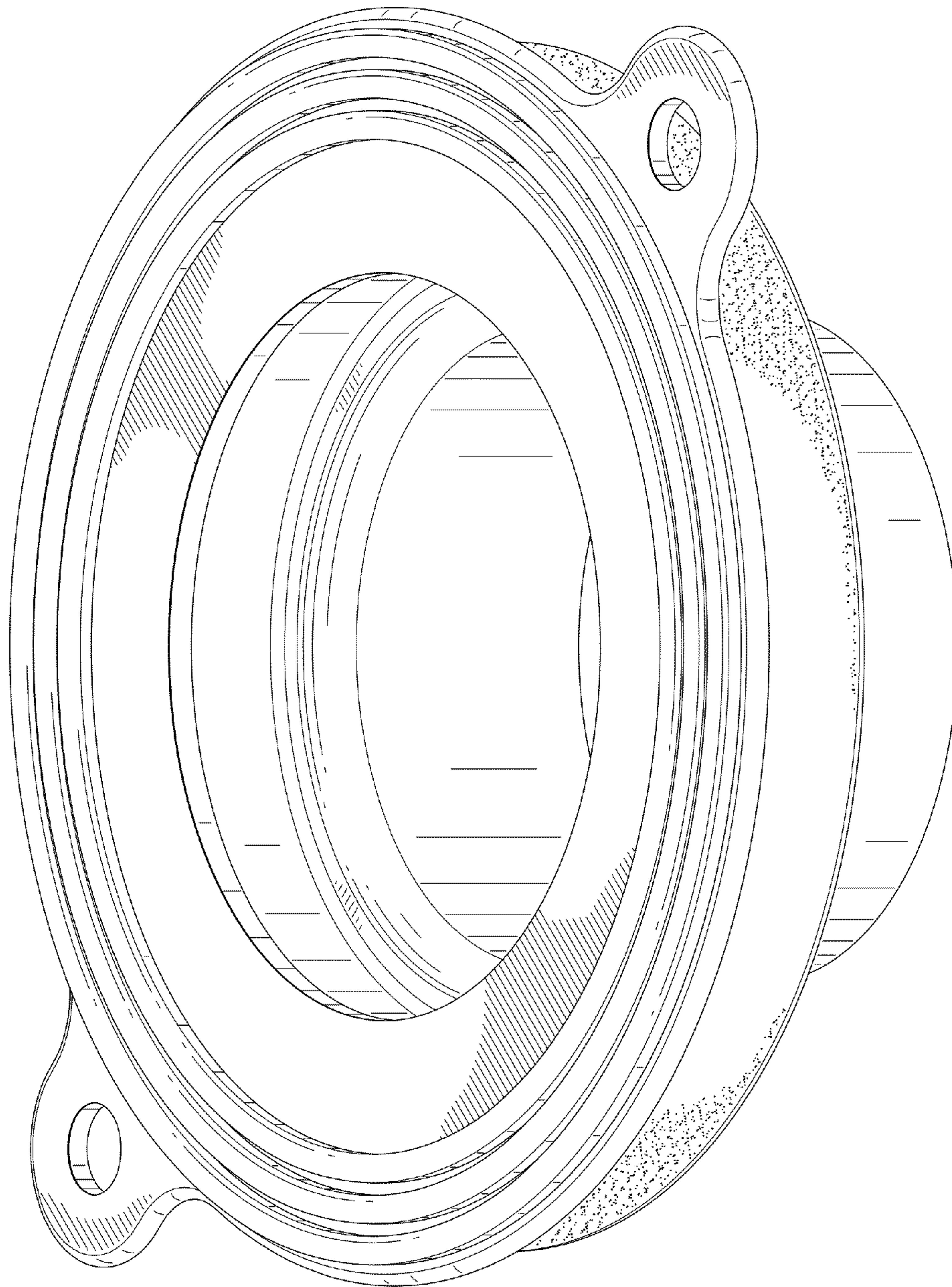


FIG. 9

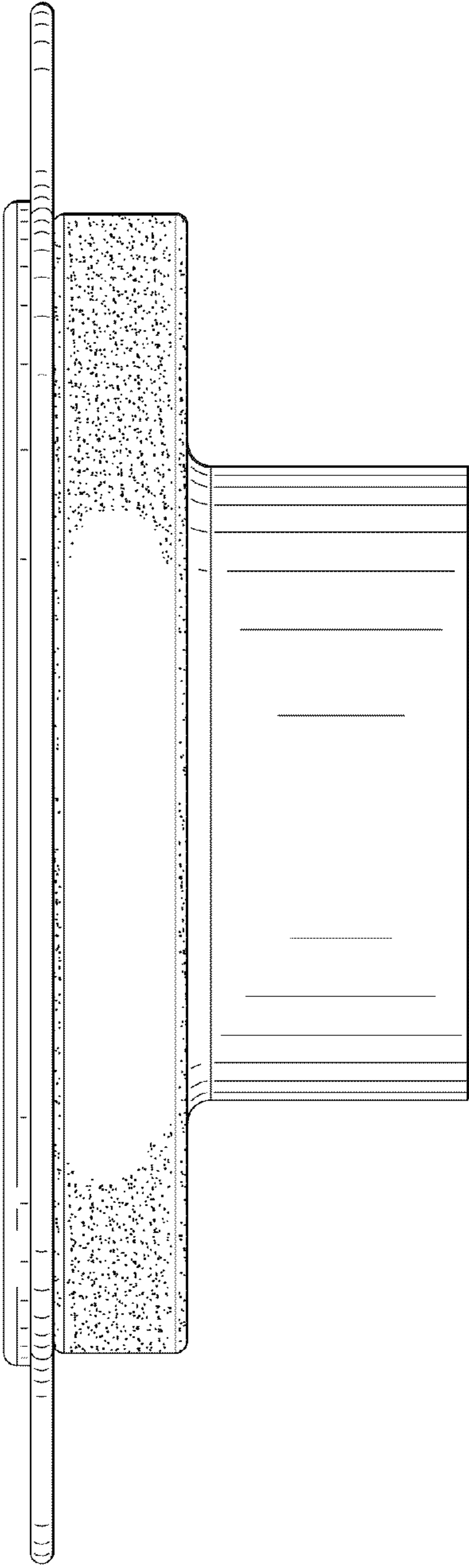


FIG. 10

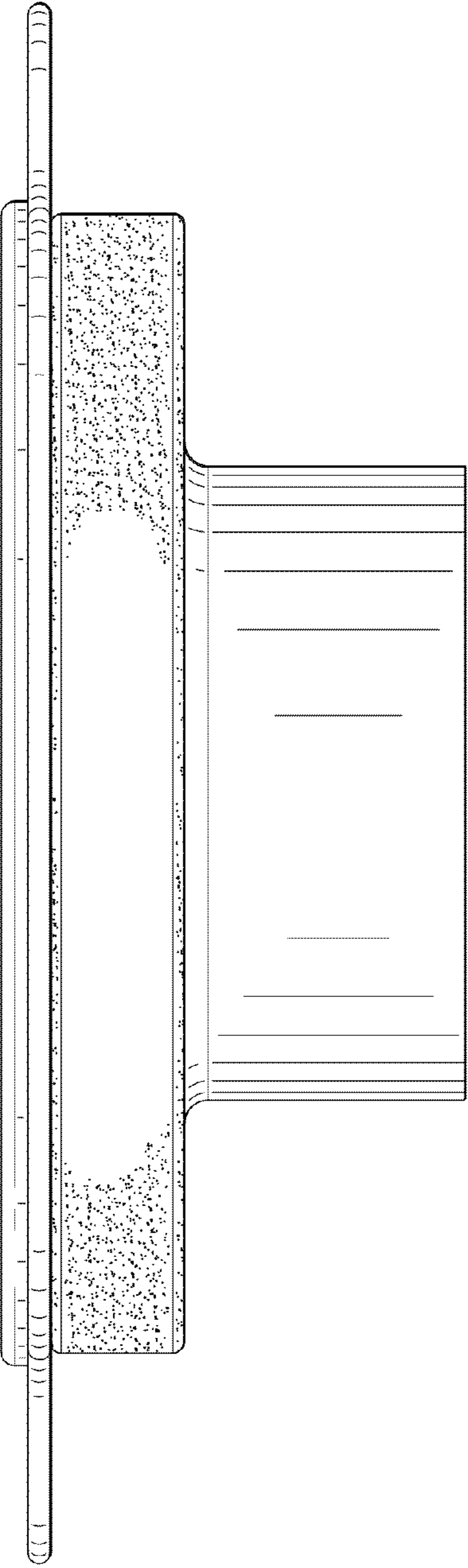


FIG. 11

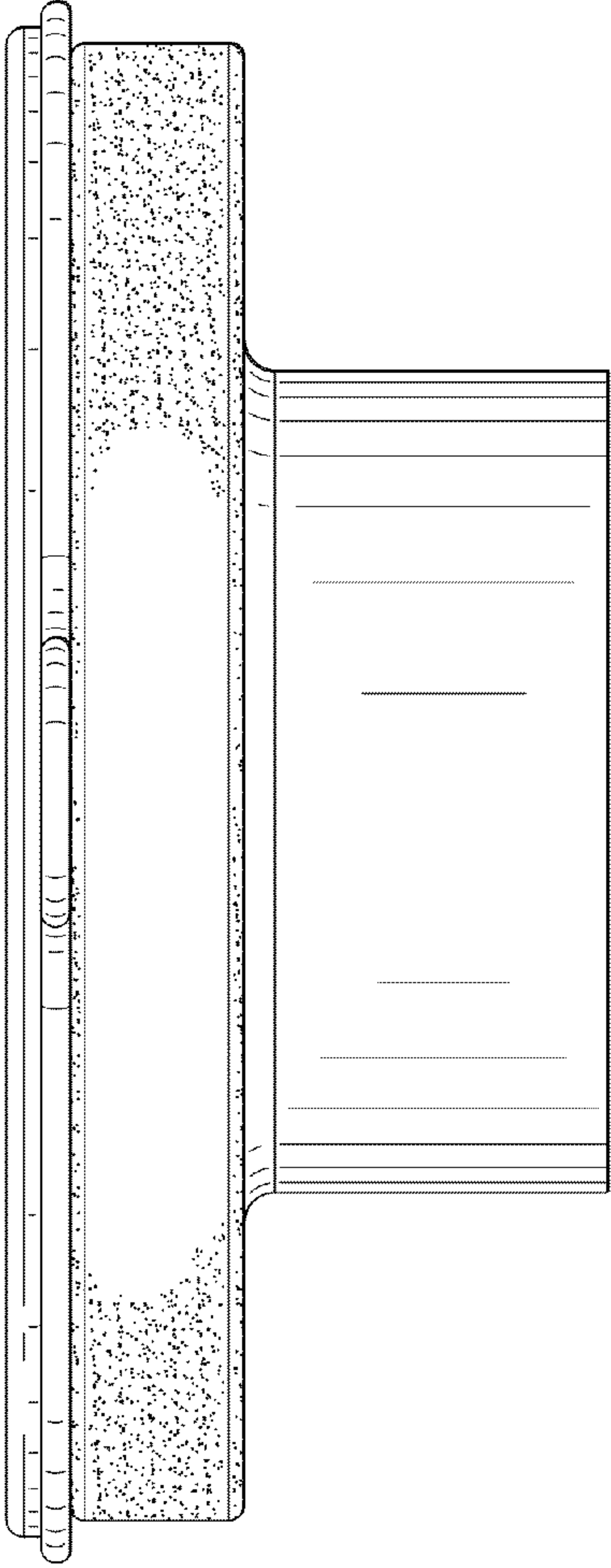


FIG. 12

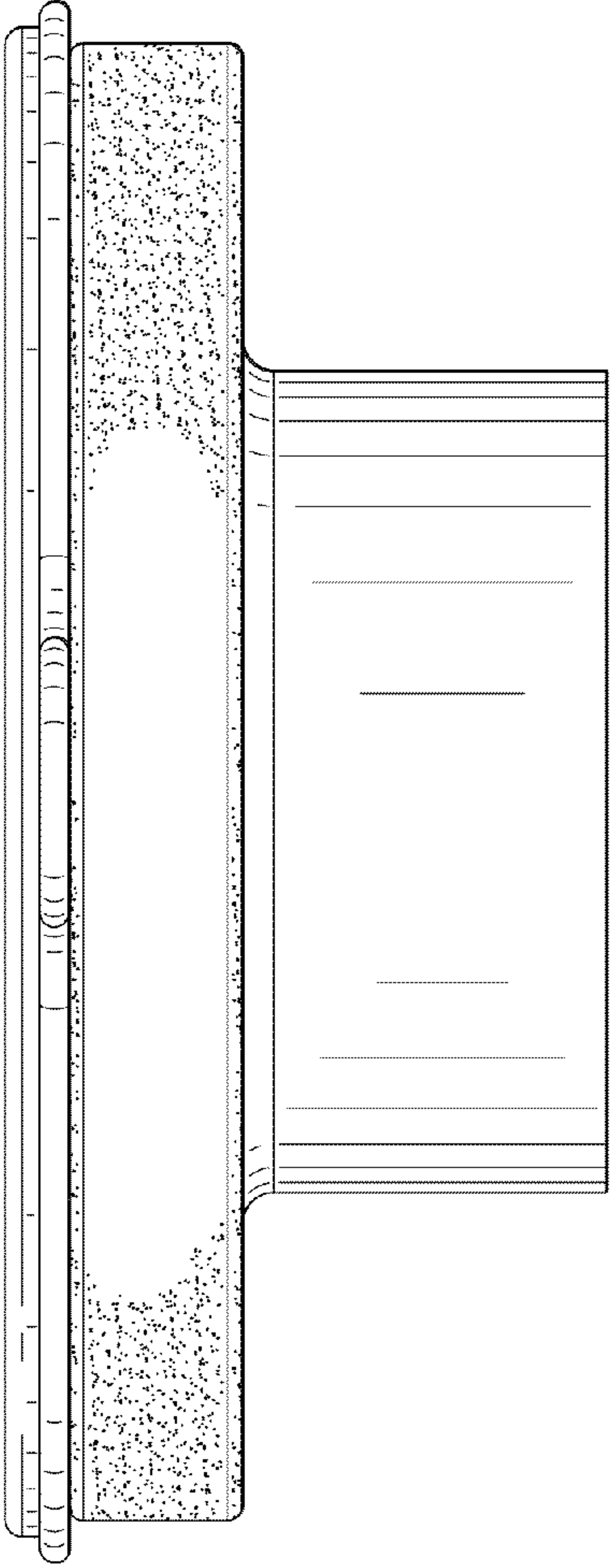


FIG. 13

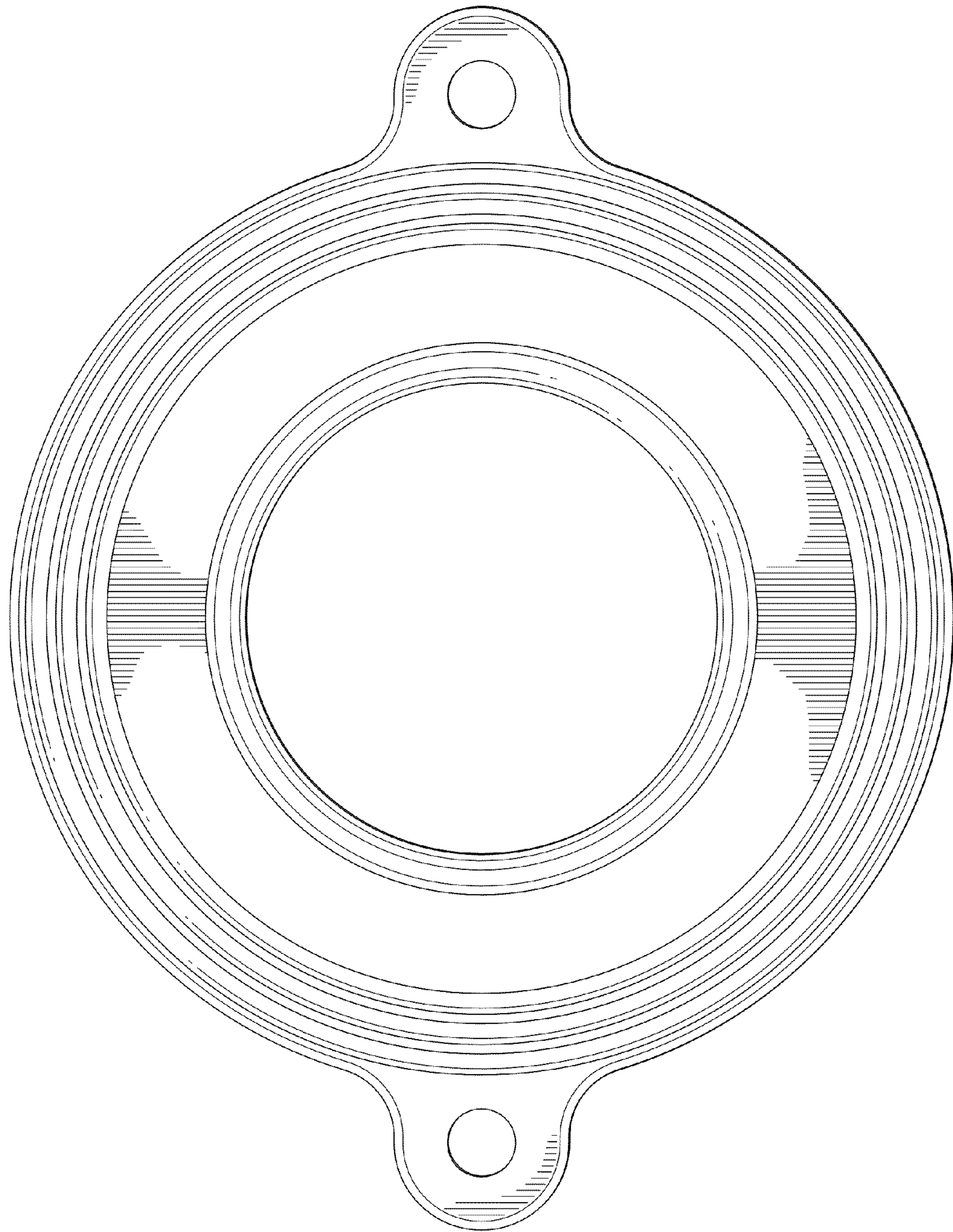


FIG. 14

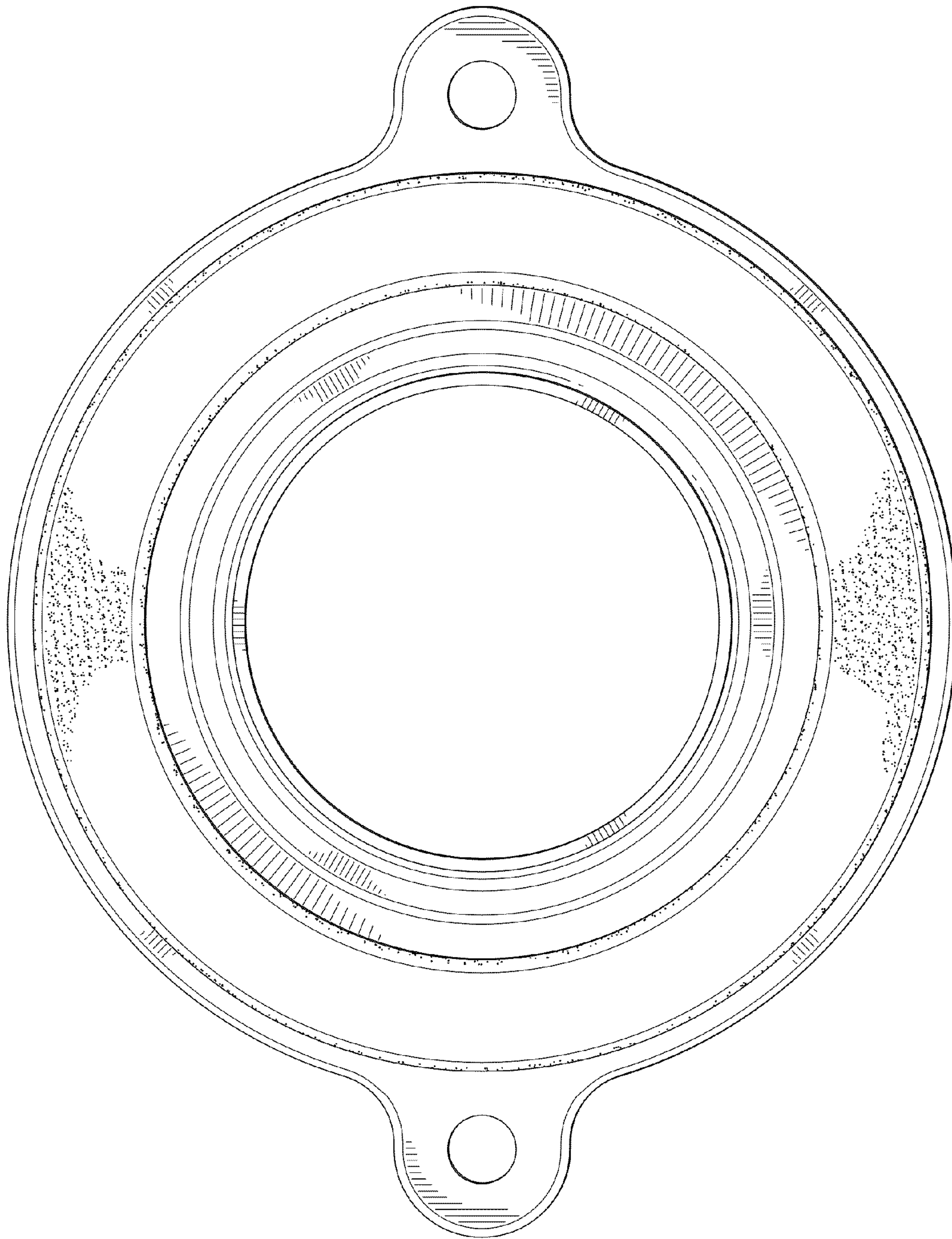


FIG. 15

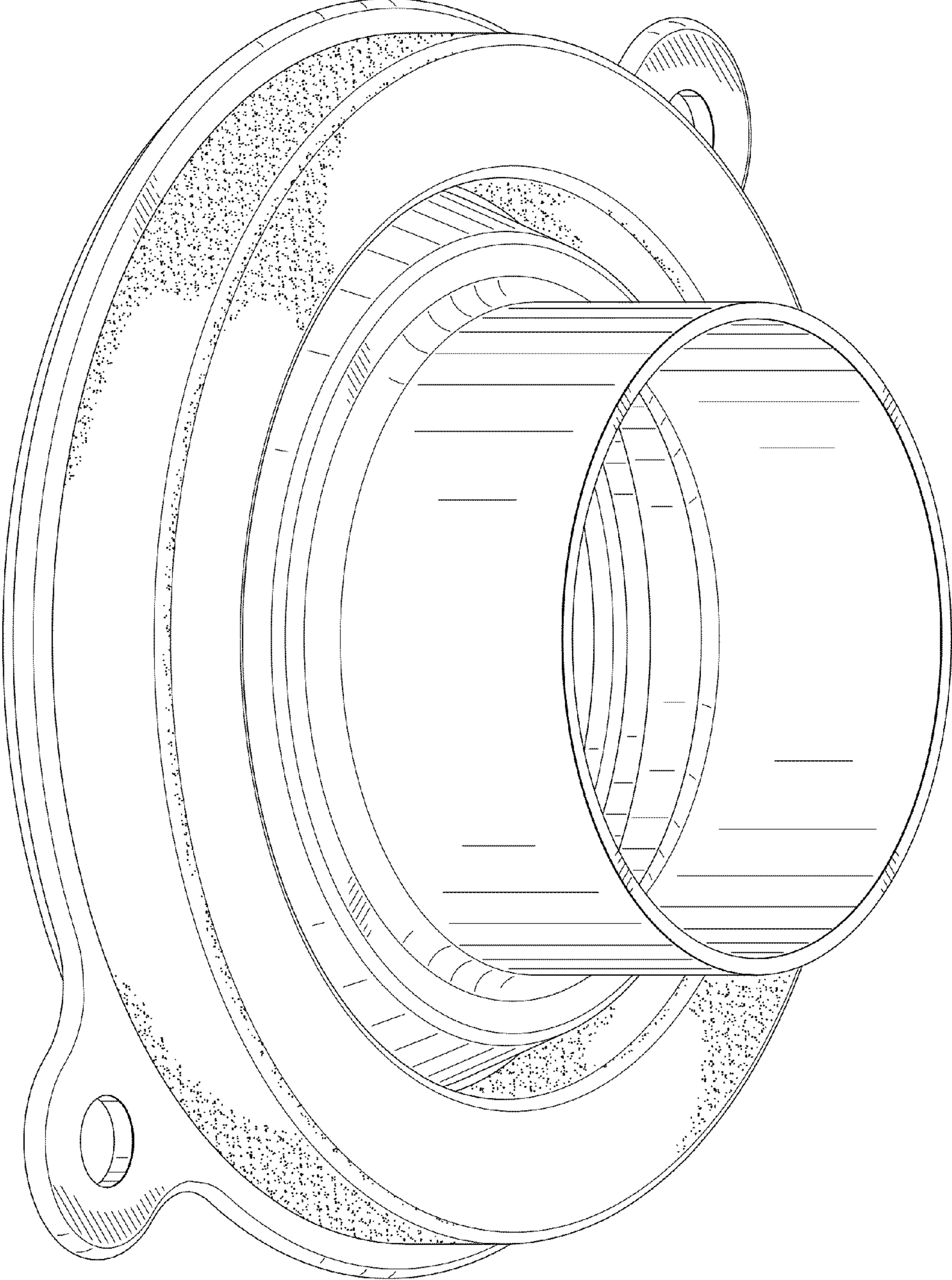


FIG. 16

UNITED STATES PATENT AND TRADEMARK OFFICE
CERTIFICATE OF CORRECTION

PATENT NO. : D730,498 S
APPLICATION NO. : 29/495929
DATED : May 26, 2015
INVENTOR(S) : Gonzalez et al.

Page 1 of 1

It is certified that error appears in the above-identified patent and that said Letters Patent is hereby corrected as shown below:

Title Page, Item (12) delete "Gonzalez" and insert --Gonzalez et al.--.

Title Page, Item (72) Inventor should read

--(72) Inventors: Pedro Gonzalez, San Pedro Garza Garcia (MX); Adam Robert Sampson, Ramona, CA (US); Tuan Van Le, Fountain Valley, CA (US); Krishnaditya Arkalgud, Oceanside, CA (US); Eduardo Coronado, San Pedro Garza Garcia (MX)--.

Signed and Sealed this
Tenth Day of November, 2015



Michelle K. Lee
Director of the United States Patent and Trademark Office

UNITED STATES PATENT AND TRADEMARK OFFICE
CERTIFICATE OF CORRECTION

PATENT NO. : D730,498 S
APPLICATION NO. : 29/495929
DATED : May 26, 2015
INVENTOR(S) : Gonzalez et al.

Page 1 of 1

It is certified that error appears in the above-identified patent and that said Letters Patent is hereby corrected as shown below:

Title Page, Item (12) "Gonzalez" should read -- Gonzalez, et al. --.

Title Page, Item (72) Inventor is corrected to read:
-- Pedro Gonzalez, San Pedro Garza Garcia (MX);
Adam Robert Sampson, Ramona (CA);
Tuan Van Le, Fountain Valley, (CA);
Krishnaditya Arkalgud, Oceanside (CA);
Eduardo Coronado, San Pedro Garza Garcia (MX) --.

Signed and Sealed this
Twenty-ninth Day of December, 2015



Michelle K. Lee
Director of the United States Patent and Trademark Office