



US00D730497S

(12) **United States Design Patent**  
**Vierk**

(10) **Patent No.:** **US D730,497 S**

(45) **Date of Patent:** **\*\* May 26, 2015**

(54) **DRAIN SAFE**

(71) Applicant: **Dan A. Vierk**, Marco Island, FL (US)

(72) Inventor: **Dan A. Vierk**, Marco Island, FL (US)

(\*\*) Term: **14 Years**

(21) Appl. No.: **29/483,605**

(22) Filed: **Feb. 28, 2014**

(51) **LOC (10) Cl.** ..... **23-01**

(52) **U.S. Cl.**

USPC ..... **D23/268**

(58) **Field of Classification Search**

USPC ..... D23/213, 223, 224, 229, 230, 259, 263,  
D23/266, 268; D24/129; D13/155; 138/103,  
138/105, 109, 118, 118.1, 121, 122, 126,  
138/128, 140, 154, 155, 157, 158, 167, 173,  
138/177; 285/58, 83, 124.1, 124.5, 179,  
285/179.1

See application file for complete search history.

(56) **References Cited**

**U.S. PATENT DOCUMENTS**

1,162,595	A *	11/1915	Forgey et al.	285/199
1,570,887	A *	1/1926	Graves	285/197
1,823,028	A *	9/1931	Caldwell	285/189
1,908,821	A *	5/1933	Cornell, Jr.	285/197
4,179,762	A *	12/1979	Barnhardt et al.	4/679
4,926,762	A	5/1990	Paul	
5,267,361	A *	12/1993	Lai	4/679

5,335,946	A *	8/1994	Dent et al.	285/243
D353,654	S *	12/1994	Cox	D23/263
D363,115	S *	10/1995	Lennartsson	D23/263
D373,408	S *	9/1996	Wood	D23/260
D386,569	S *	11/1997	Trueb et al.	D23/268
6,015,170	A *	1/2000	Carpenter	285/223
6,161,686	A	12/2000	Simon et al.	
6,292,960	B1	9/2001	Bowling	
6,371,285	B1	4/2002	Dubois	
D531,285	S *	10/2006	Williams	D23/268
2002/0124779	A1	9/2002	Perkins	
2003/0163869	A1*	9/2003	Bosch	4/679
2014/0014009	A1	1/2014	Crockwell	

\* cited by examiner

*Primary Examiner* — Eric Goodman

*Assistant Examiner* — Daniel J Domino

(74) *Attorney, Agent, or Firm* — Frank D Lachenmaier

(57) **CLAIM**

The ornamental design for a drain safe, as shown and described.

**DESCRIPTION**

FIG. 1 is a perspective view of a drain safe.

FIG. 2 is a top view thereof.

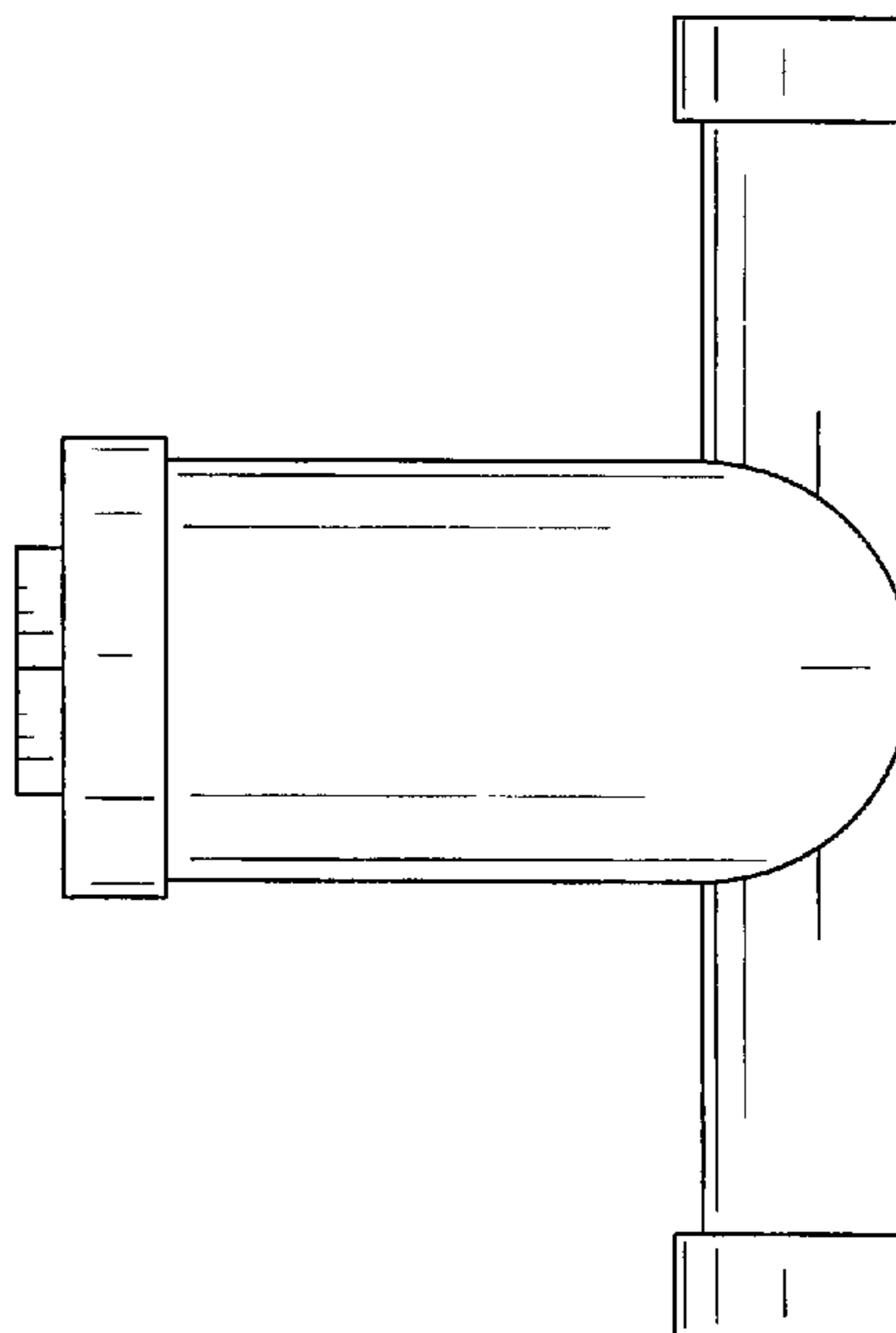
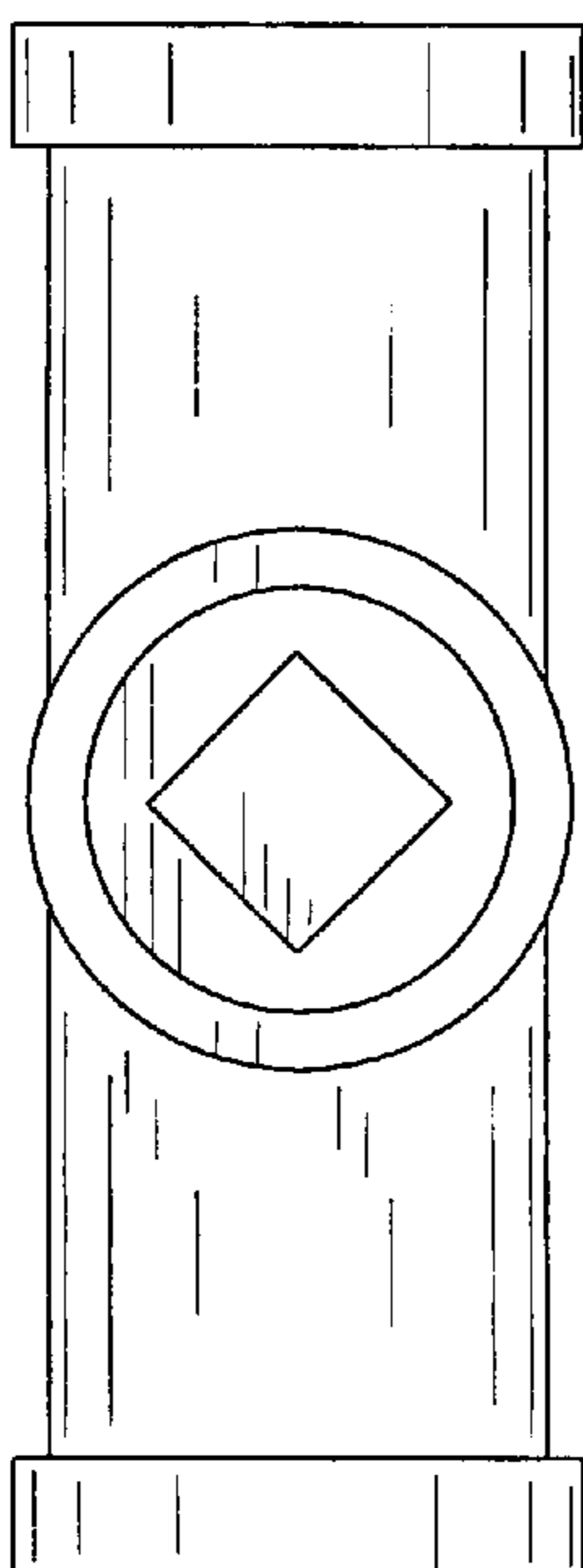
FIG. 3 is an end view thereof.

FIG. 4 is a side view thereof; and,

FIG. 5 is a bottom view thereof.

The broken lines shown in FIG. 1 are for the purpose of illustrating environment only and form no part of the claimed design.

**1 Claim, 2 Drawing Sheets**



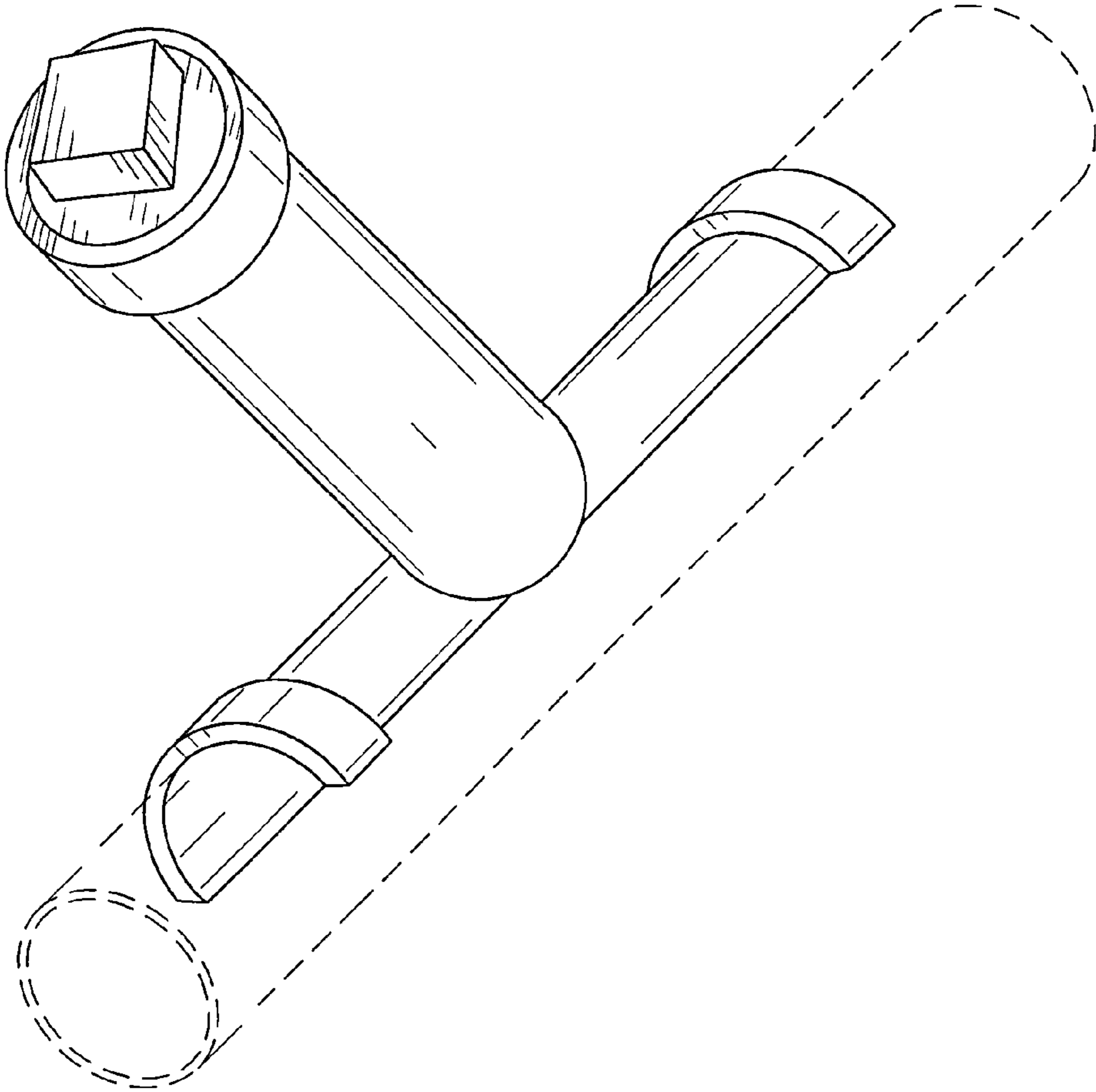


FIG. 1

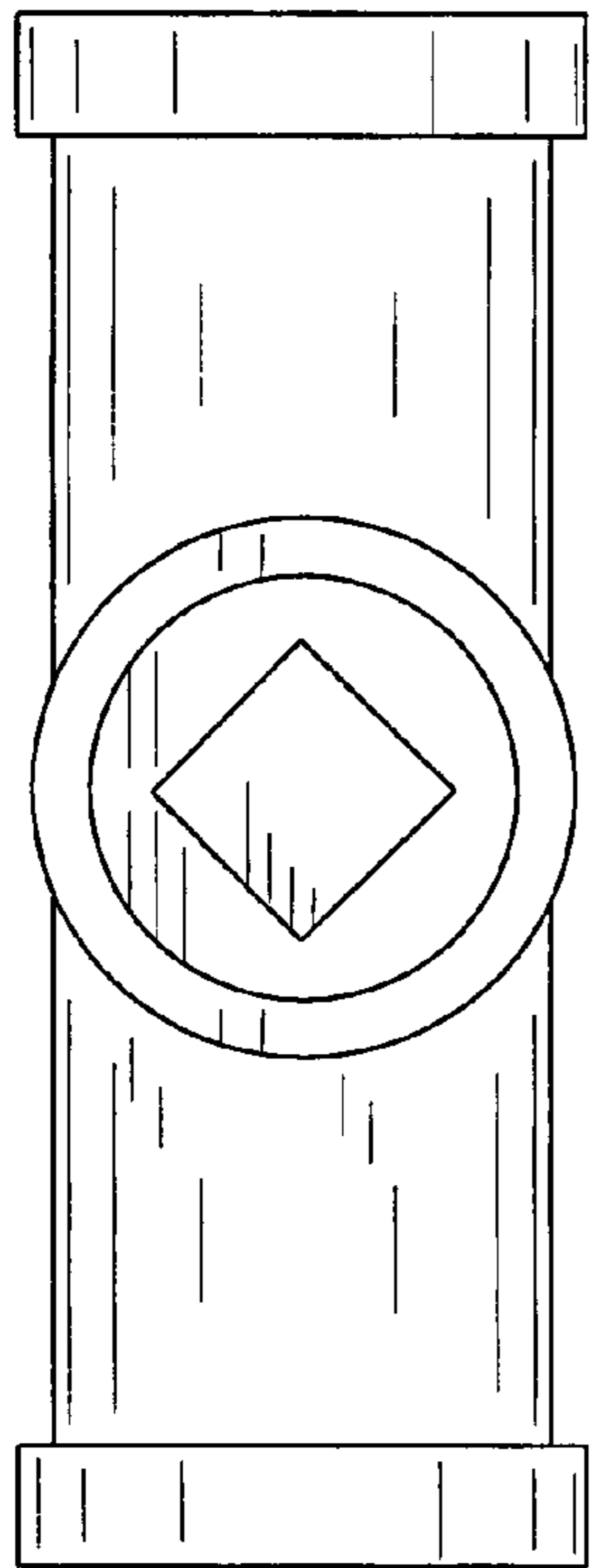


FIG. 2

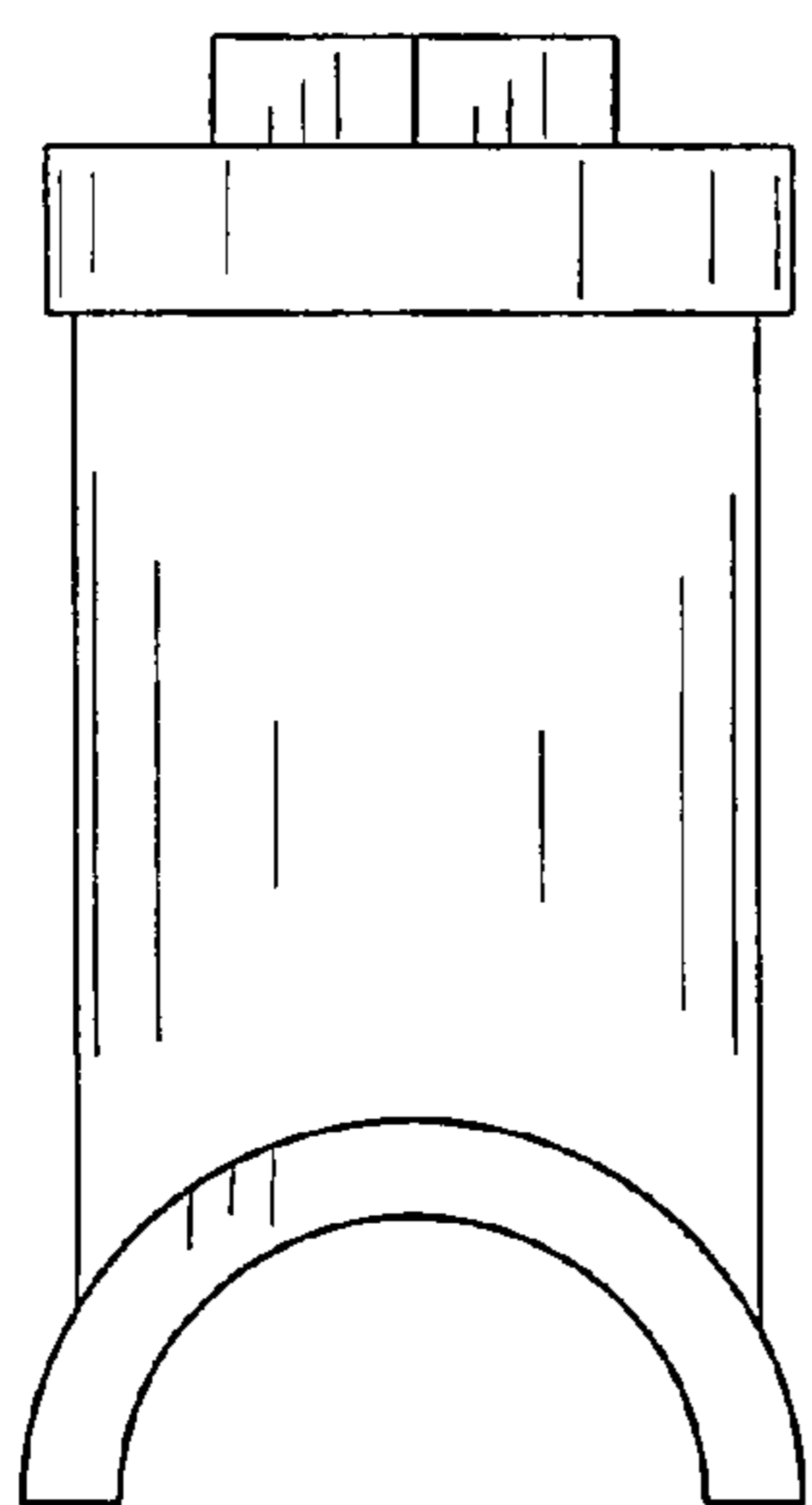


FIG. 3

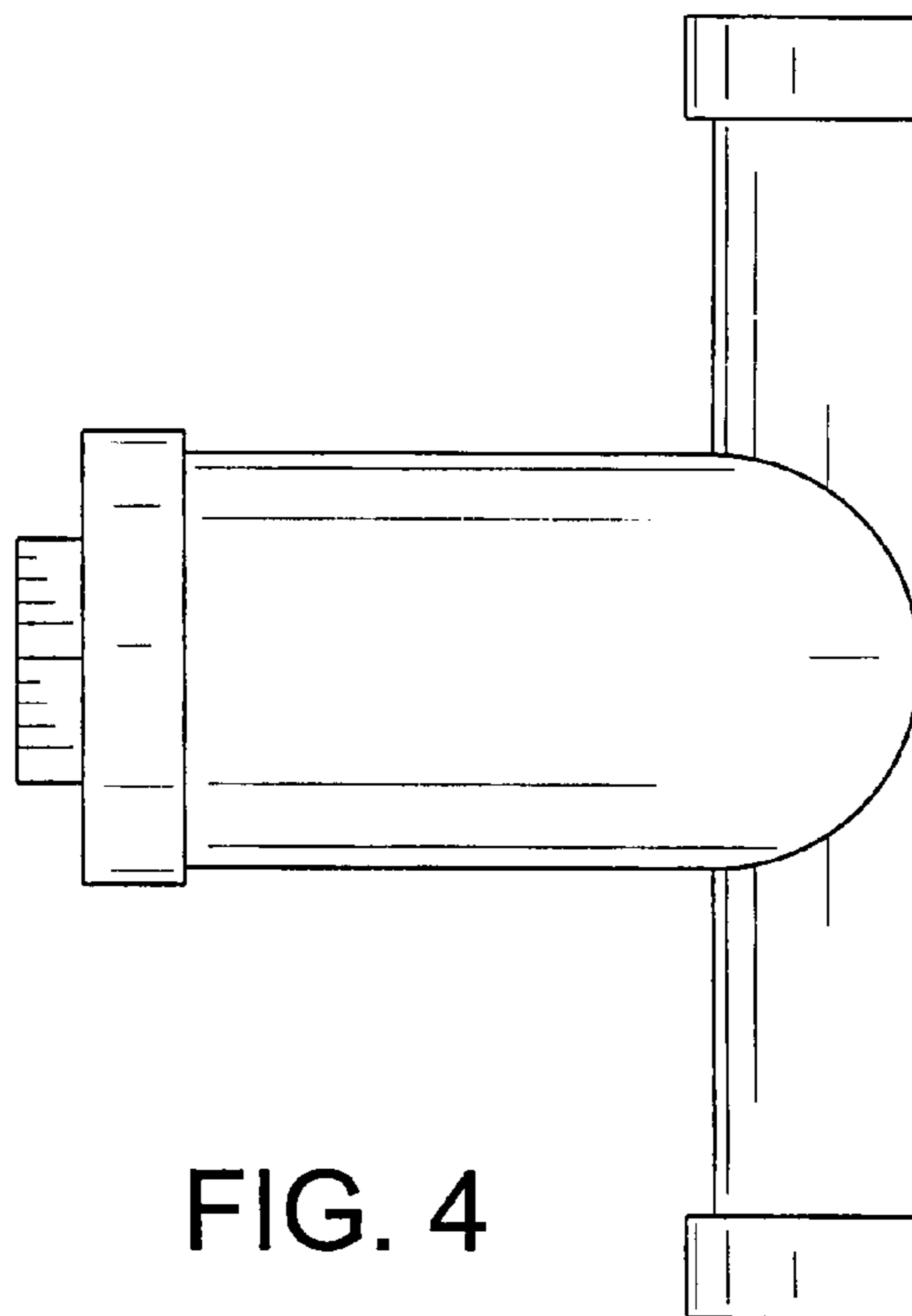


FIG. 4

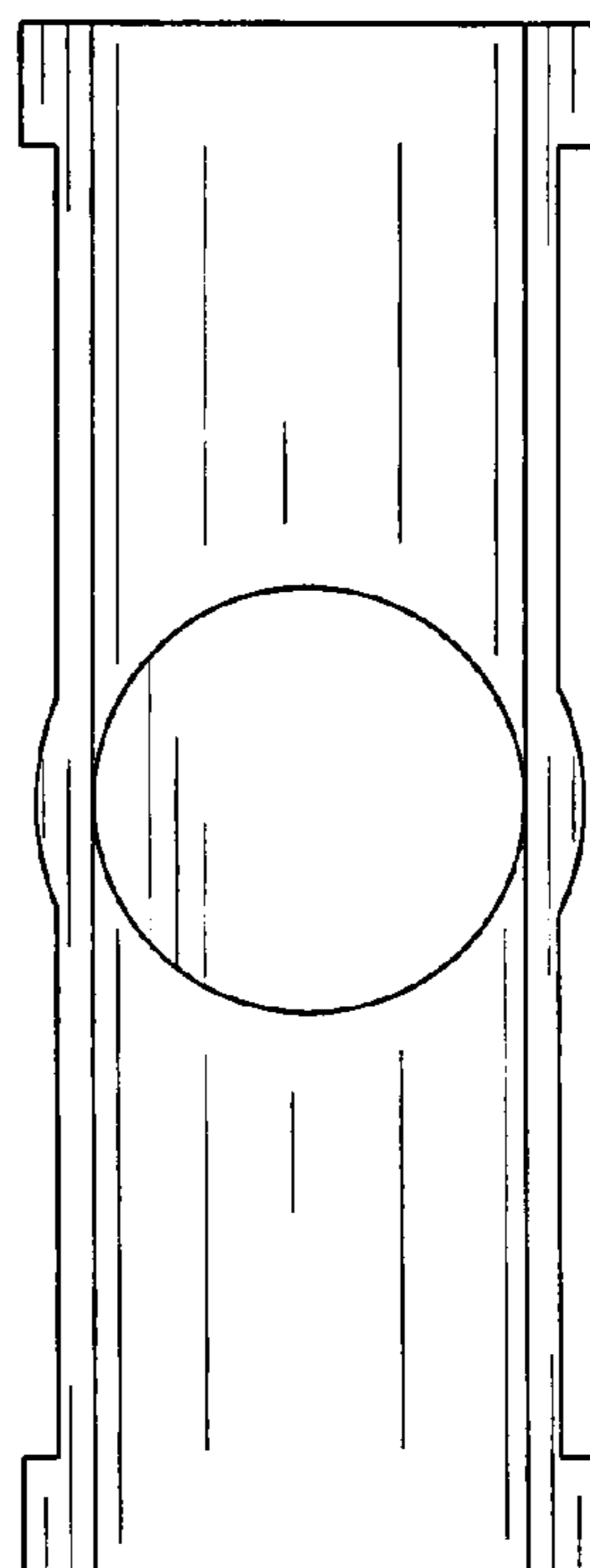


FIG. 5