



US00D730496S

(12) **United States Design Patent**
Schulze

(10) **Patent No.:** **US D730,496 S**

(45) **Date of Patent:** **** May 26, 2015**

(54) **PLUMBING PIPE**

(71) Applicant: **Michael Schulze**, Newport Beach, CA
(US)

(72) Inventor: **Michael Schulze**, Newport Beach, CA
(US)

(**) Term: **14 Years**

(21) Appl. No.: **29/436,419**

(22) Filed: **Nov. 6, 2012**

(51) **LOC (10) Cl.** **23-01**

(52) **U.S. Cl.**

USPC **D23/266**

(58) **Field of Classification Search**

USPC D23/205, 213, 223, 224, 229, 230, 237,
D23/259, 263, 266; D24/129; D13/155;
138/103, 105, 109, 118, 118.1, 121,
138/122, 126, 128, 140, 154, 155, 157, 158,
138/167, 173, 177; 285/58, 83, 124.1,
285/124.5, 179, 179.1

See application file for complete search history.

(56) **References Cited**

U.S. PATENT DOCUMENTS

1,776,385	A	9/1930	Hoelscher	
1,867,725	A	7/1932	Brotz	
1,911,454	A *	5/1933	Luff	285/129.2
1,980,493	A	11/1934	Morisseau	
2,039,542	A *	5/1936	Lindquist	285/133.3
2,059,120	A	10/1936	Kreuzer	
2,063,632	A	12/1936	Schneider	
4,380,834	A	4/1983	Wentz	
4,504,086	A *	3/1985	Carrow	285/133.5
4,831,824	A *	5/1989	Fukazawa	60/322
5,381,831	A	1/1995	Versland	
5,509,150	A	4/1996	Bergmann	
5,543,089	A *	8/1996	Pichardo	261/116
5,632,220	A *	5/1997	Vento	114/255
5,996,245	A *	12/1999	Yamato	34/138
6,138,297	A	10/2000	Harris et al.	
6,217,261	B1 *	4/2001	Santa Cruz et al.	406/145
6,484,330	B2	11/2002	Gray et al.	

6,554,580	B1 *	4/2003	Mayfield et al.	417/56
D545,406	S *	6/2007	Surinak	D23/266
7,513,301	B2 *	4/2009	Victor	166/105
7,846,573	B2 *	12/2010	Kelly	429/120
7,941,878	B1	5/2011	Truong	
D644,305	S *	8/2011	White	D23/266
D654,990	S *	2/2012	Coley	D23/266
2003/0141051	A1 *	7/2003	Abbott et al.	166/53
2004/0034926	A1	2/2004	Ball	

(Continued)

FOREIGN PATENT DOCUMENTS

WO WO2009/126349 10/2009

OTHER PUBLICATIONS

PCT Search Report, Written Opinion, Oct. 12, 2014, Michael Schulze, MPS Technologies, LLC.

Primary Examiner — Eric Goodman

Assistant Examiner — Daniel J Domino

(74) *Attorney, Agent, or Firm* — John J. Connors; Connors & Associates pc

(57) **CLAIM**

The ornamental design for a plumbing pipe, as shown and described.

DESCRIPTION

FIG. 1 is a perspective view of a plumbing pipe viewed from its left side.

FIG. 2 is a perspective view of a plumbing pipe viewed from its bottom.

FIG. 3 is a top plan view thereof.

FIG. 4 is a left side elevation view thereof.

FIG. 5 is a front view thereof.

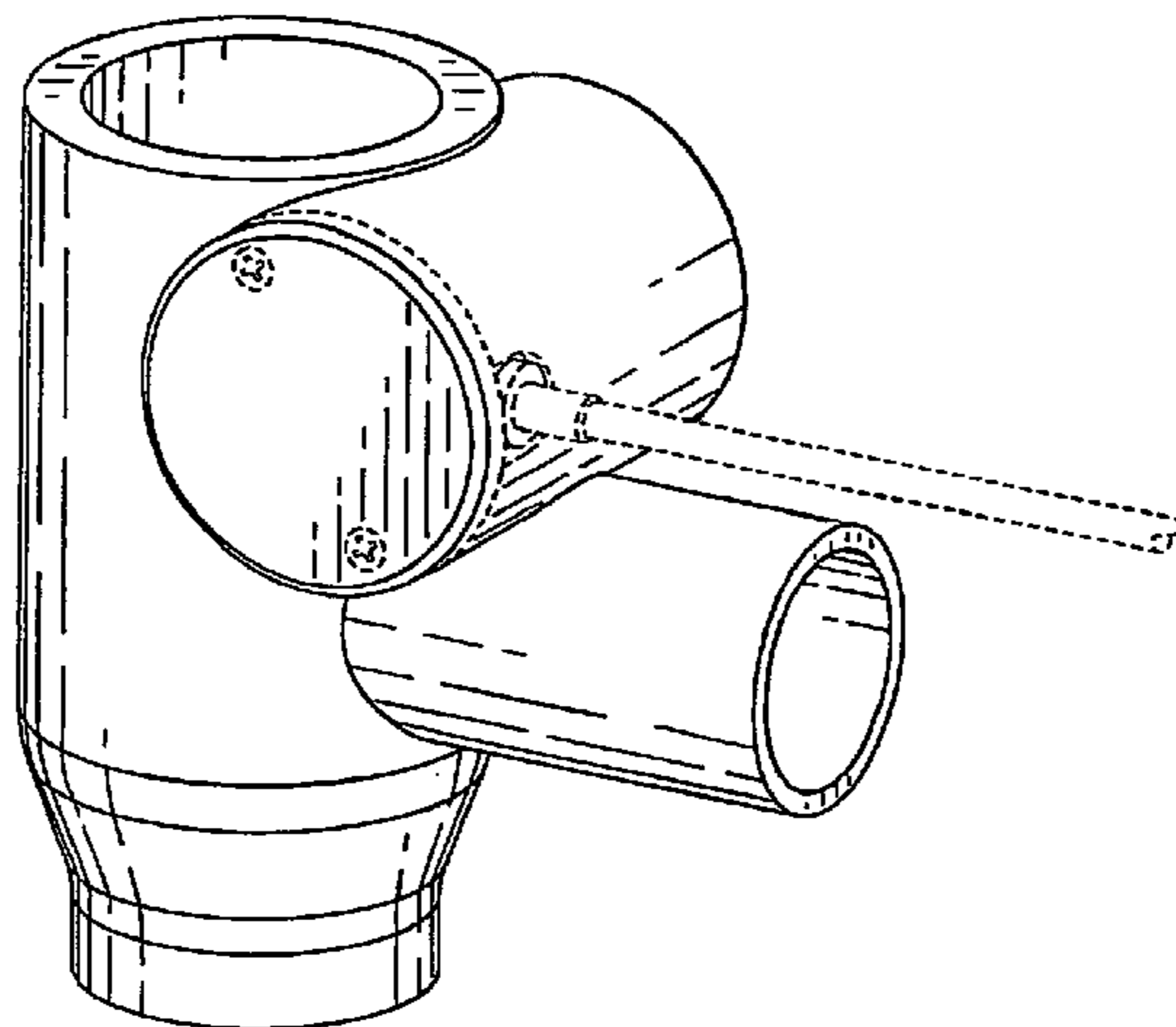
FIG. 6 is a right side elevation view thereof.

FIG. 7 is a rear view thereof; and,

FIG. 8 is a bottom view thereof.

The broken line showing is included for the purpose of illustrating portions of the article and forms no part of the claimed design.

1 Claim, 3 Drawing Sheets



(56)

References Cited

U.S. PATENT DOCUMENTS

2006/0001260 A1* 1/2006 Thompson 285/125.1
2006/0054329 A1* 3/2006 Chisholm 166/372
2007/0039098 A1 2/2007 Ball

2007/0236010 A1* 10/2007 Campau 285/242
2008/0111376 A1* 5/2008 Ferrero 285/376
2013/0180045 A1 7/2013 Ball
2014/0115777 A1* 5/2014 Schulze 4/689

* cited by examiner

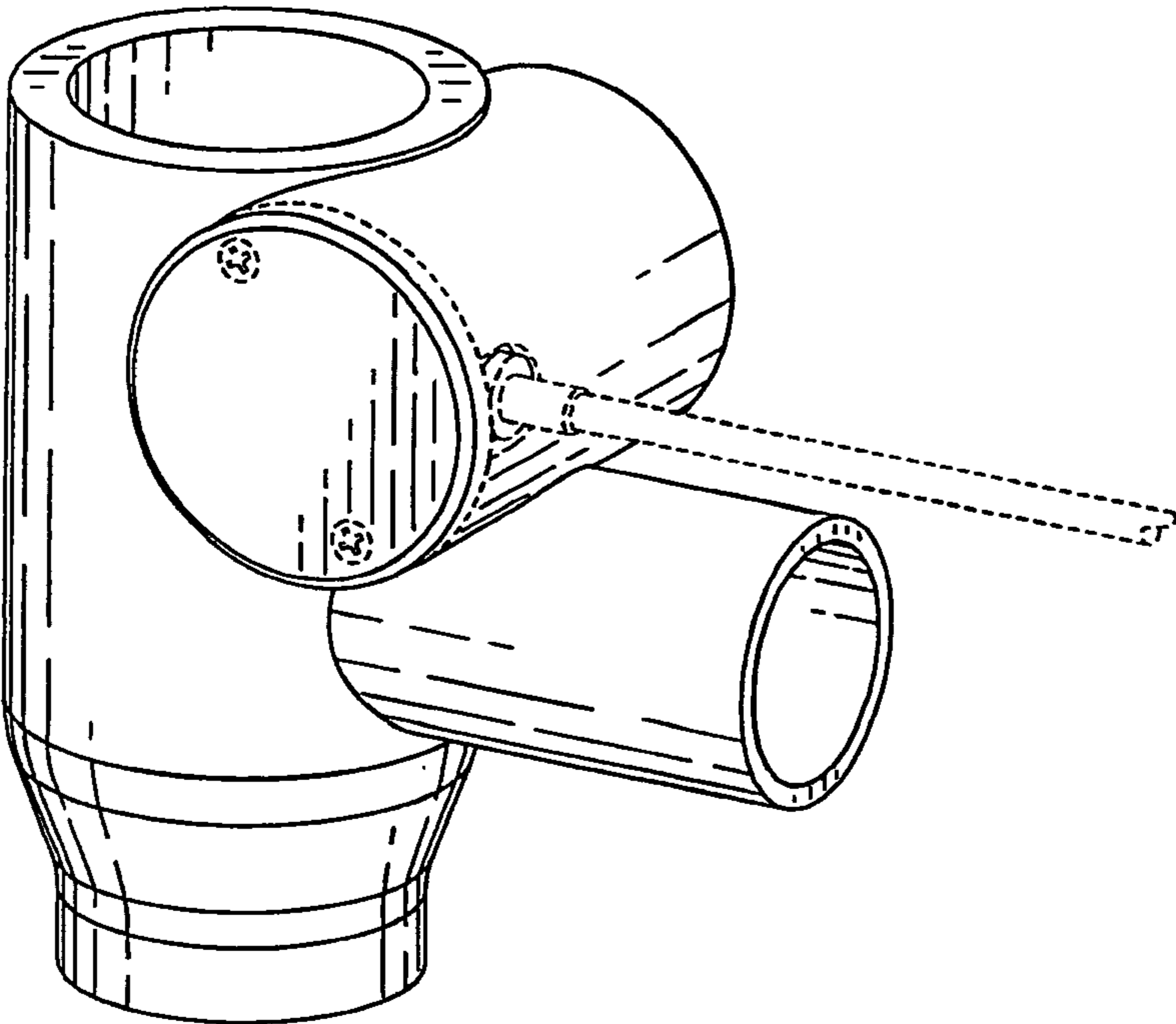


Fig. 1

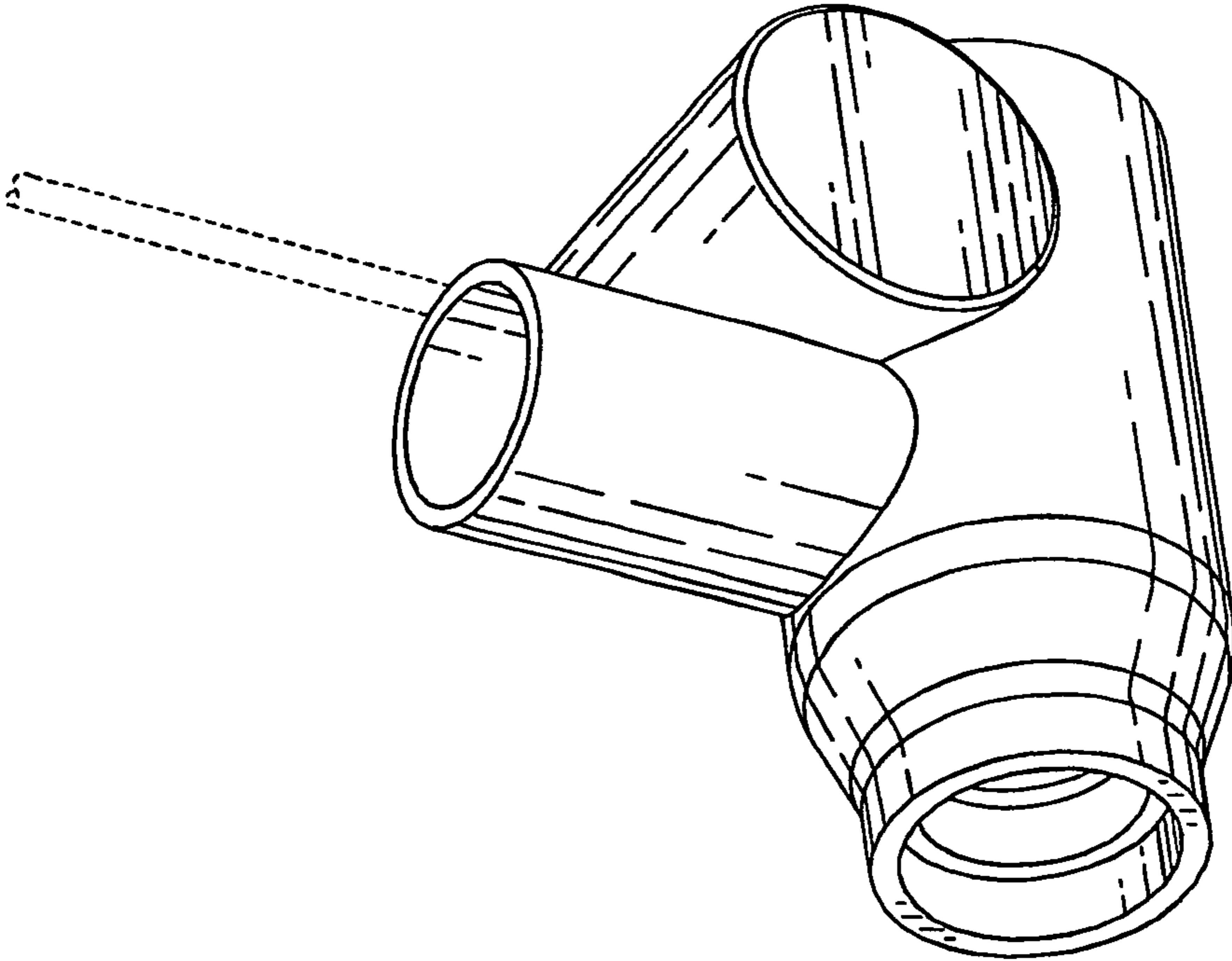


Fig. 2

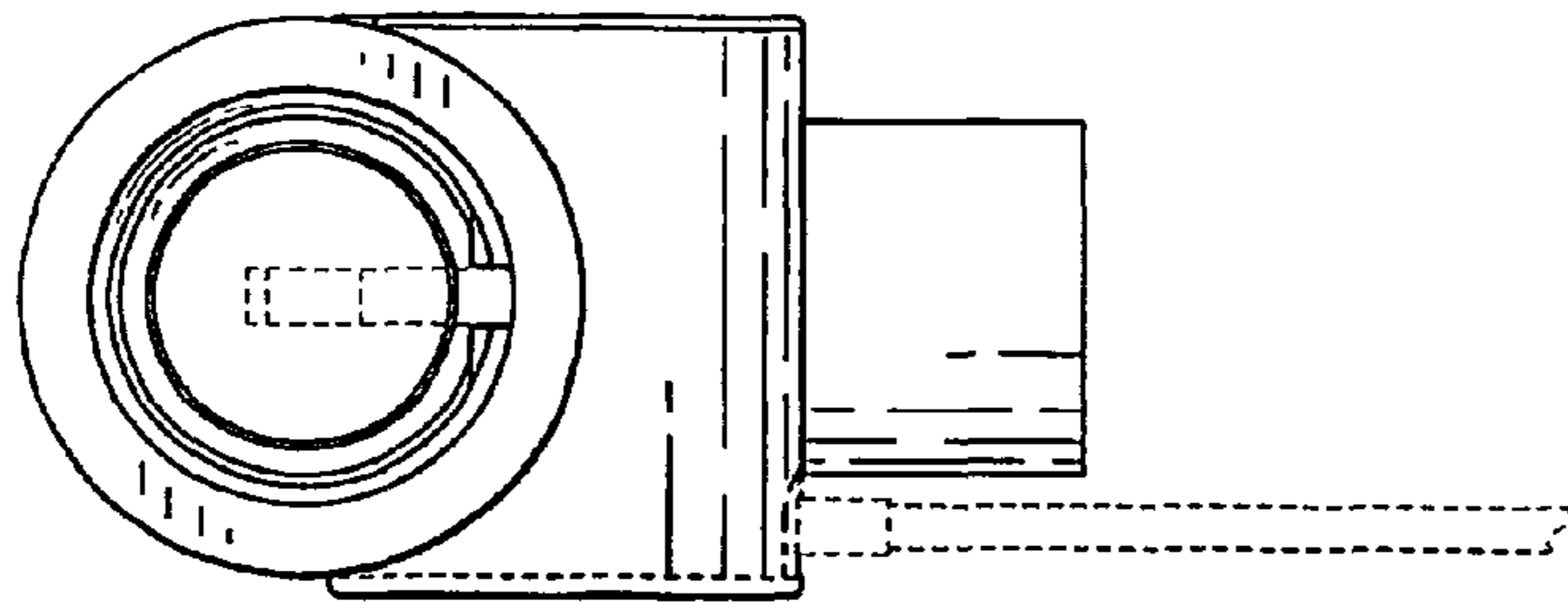


Fig. 3

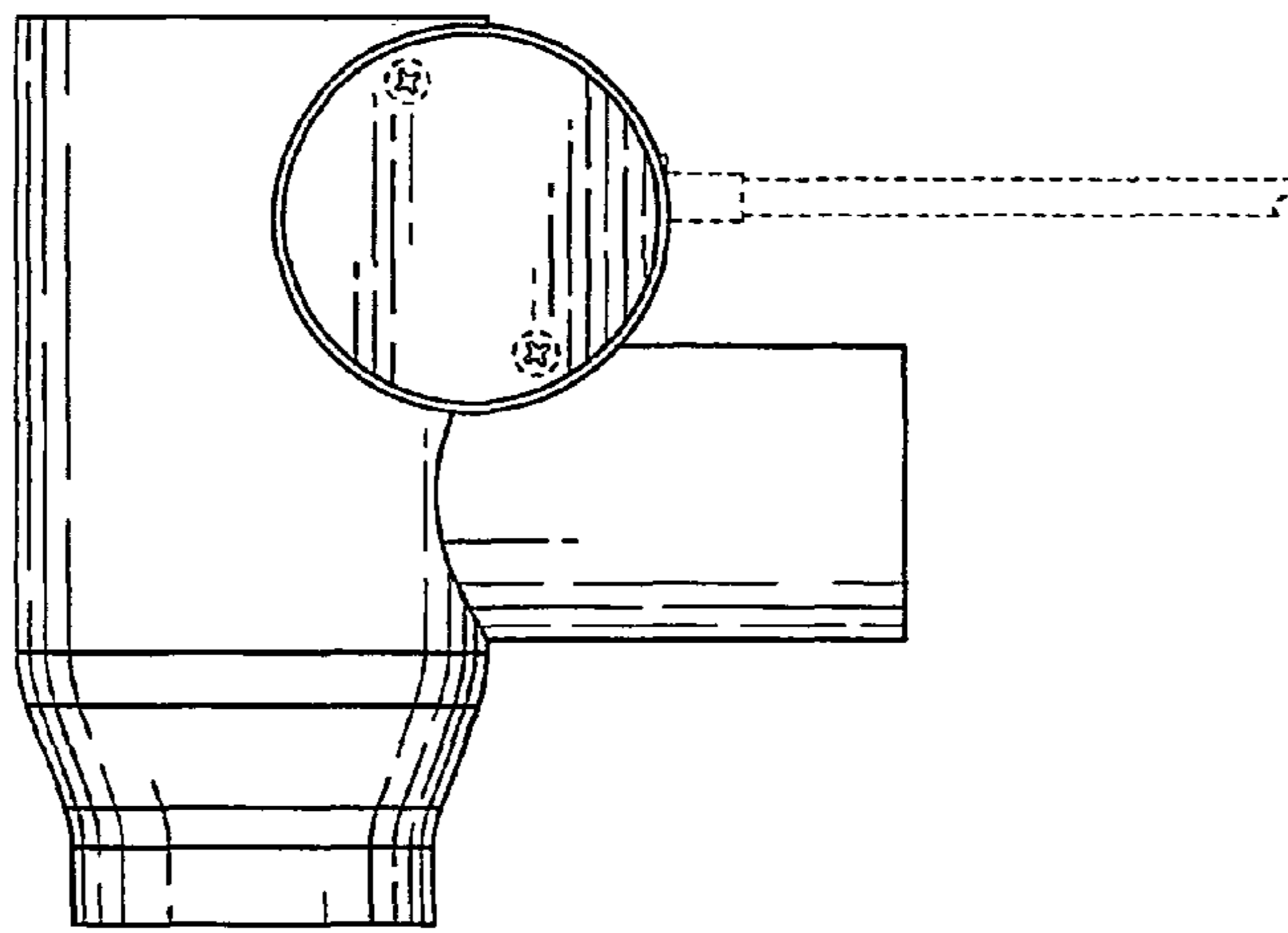


Fig. 4

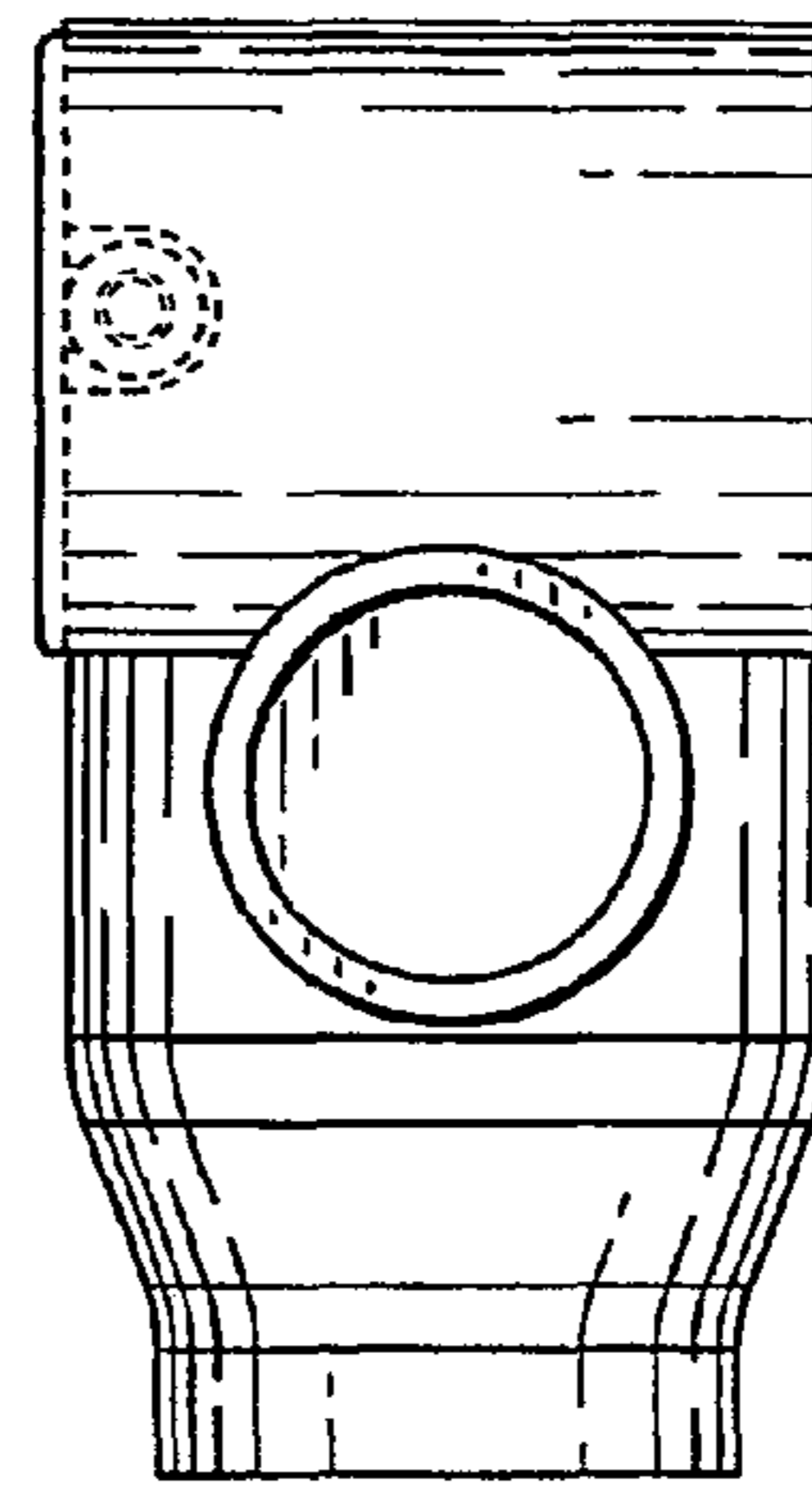


Fig. 5

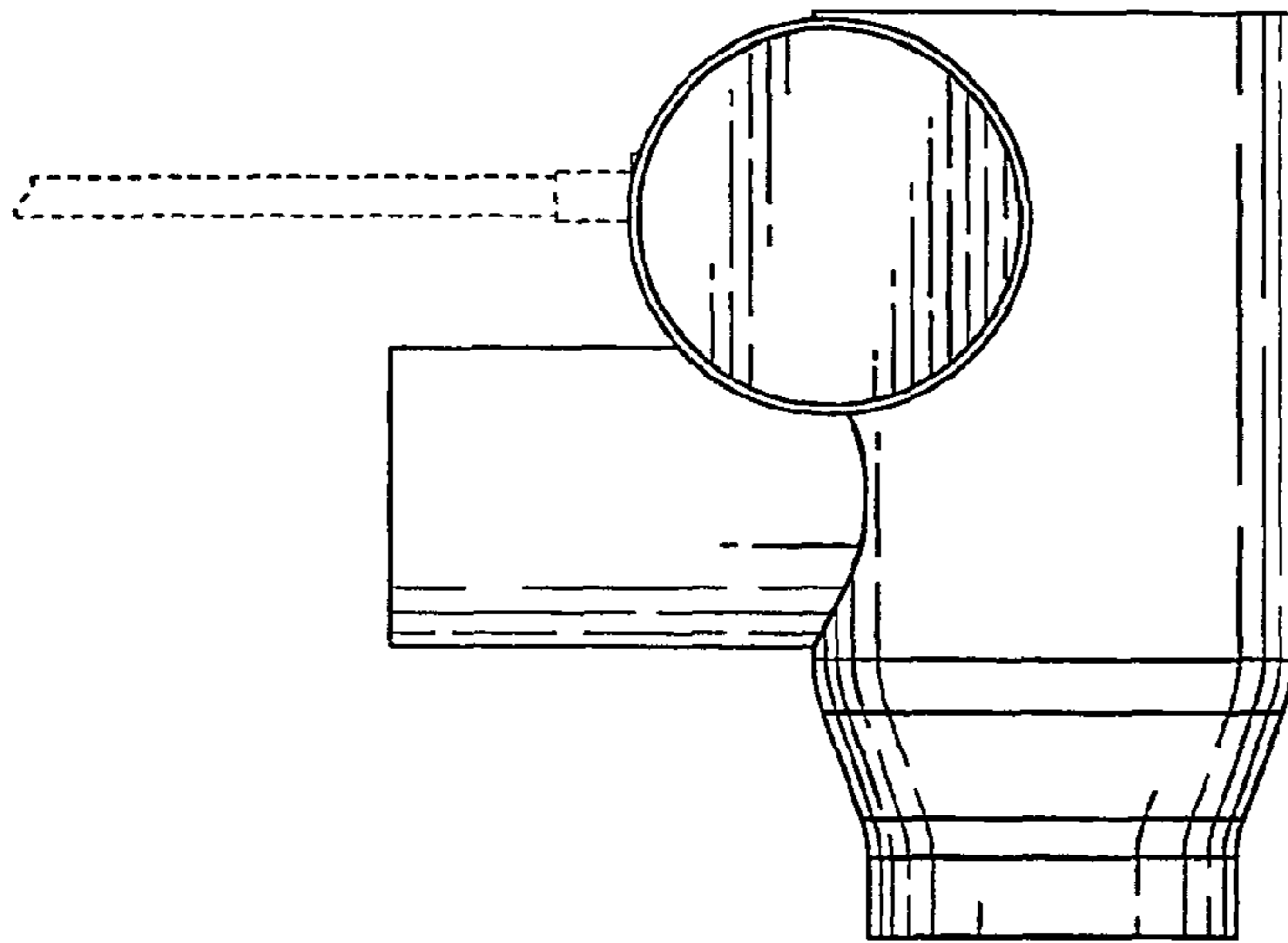


Fig. 6

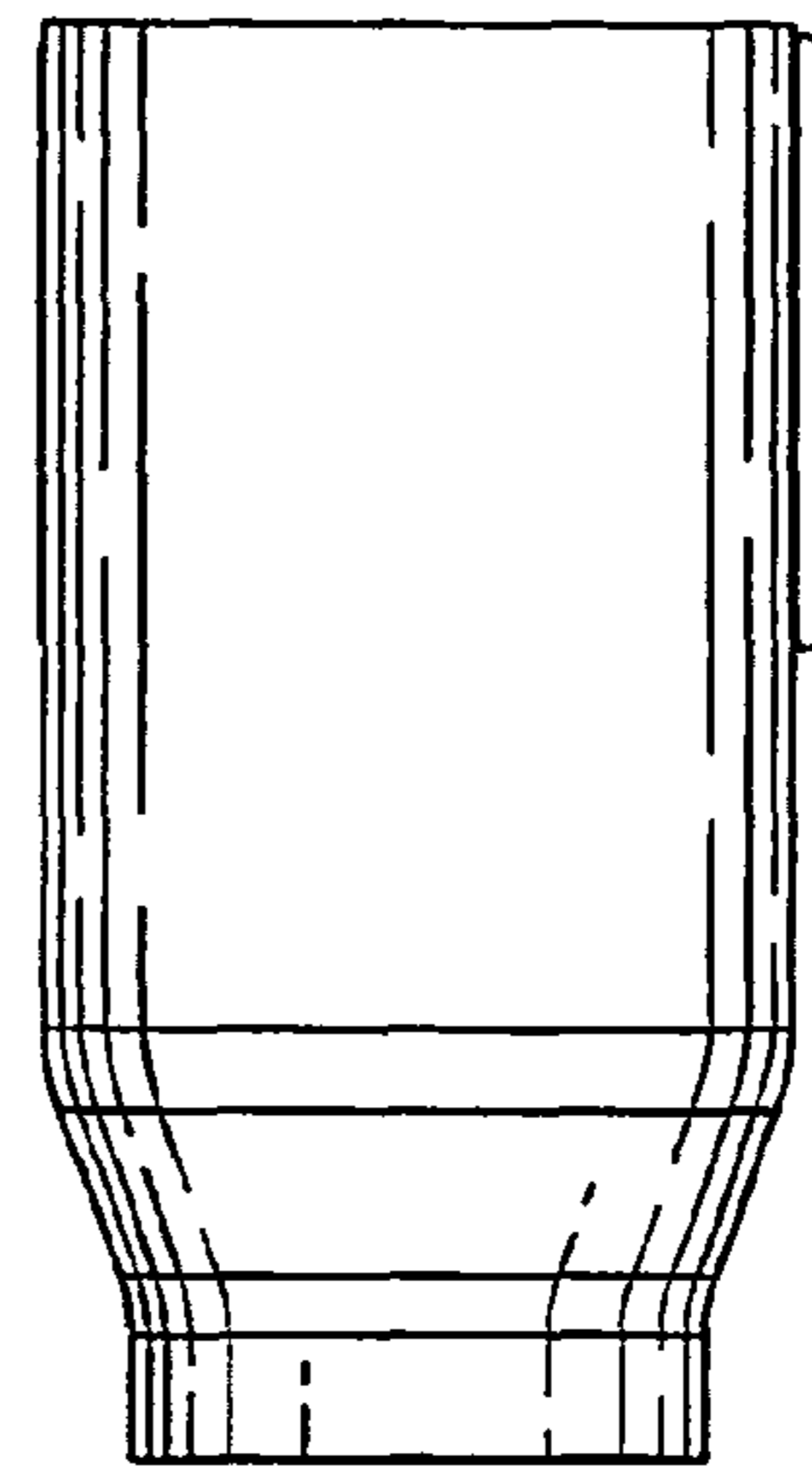


Fig. 7

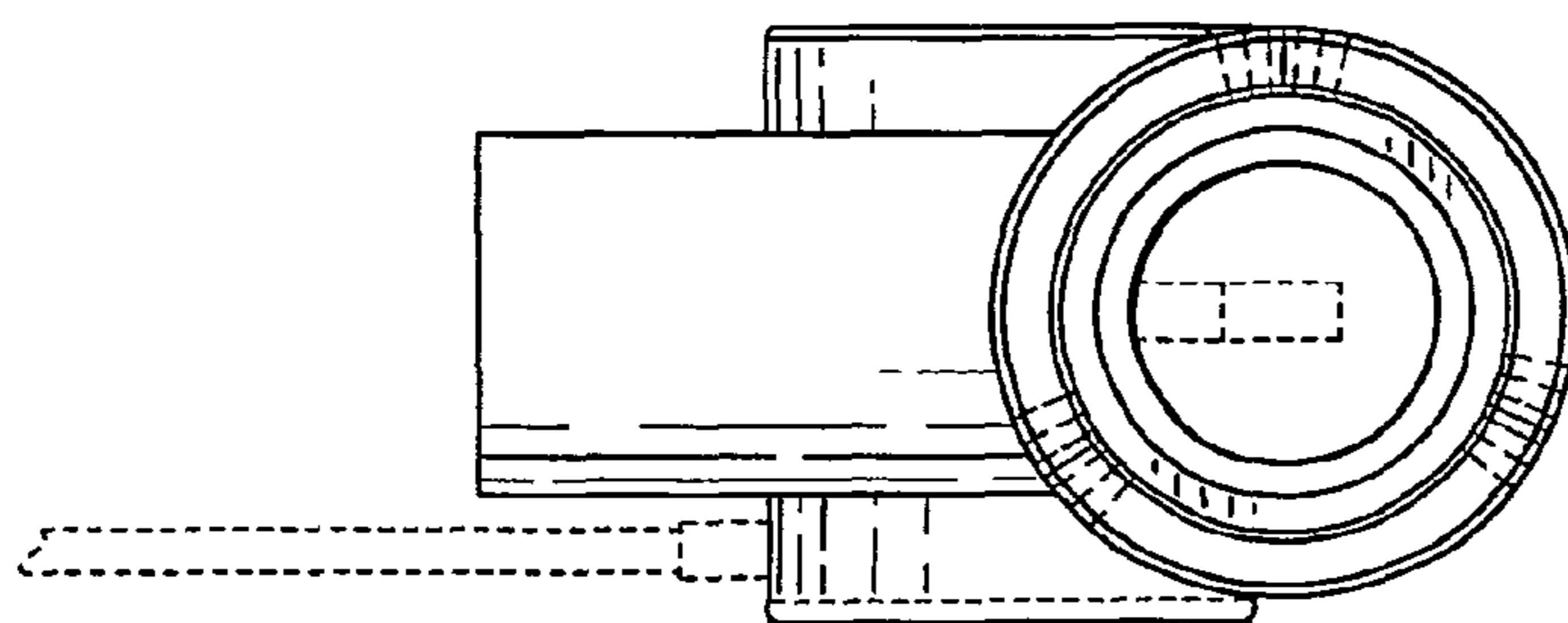


Fig. 8