



US00D730495S

(12) **United States Design Patent**  
**Umehara**

(10) **Patent No.:** **US D730,495 S**

(45) **Date of Patent:** **\*\* May 26, 2015**

(54) **TERMINAL COMPONENT FOR CONNECTING PIPE**

(71) Applicant: **USUI Kokusai Sangyo Kaisha Limited,**  
Shizuoka (JP)

(72) Inventor: **Jun Umehara,** Shizuoka (JP)

(73) Assignee: **USUI KOKUSAI SANGYO KAISHA LIMITED,** Shizuoka (JP)

(\*\*) Term: **14 Years**

(21) Appl. No.: **29/451,716**

(22) Filed: **Apr. 8, 2013**

(30) **Foreign Application Priority Data**

Oct. 23, 2012 (JP) ..... 2012-025710

(51) **LOC (10) Cl.** ..... **23-01**

(52) **U.S. Cl.**  
USPC ..... **D23/262**

(58) **Field of Classification Search**  
USPC ..... D23/259, 260, 261, 262, 263, 264, 265;  
138/177, 103, 110, 140, 143; D8/382;  
285/31, 61, 81, 114, 305, 308, 364;  
D24/129  
See application file for complete search history.

(56) **References Cited**

**U.S. PATENT DOCUMENTS**

2,170,557 A \* 8/1939 Guarnaschelli ..... 285/61  
2,175,662 A \* 10/1939 Guarnaschelli ..... 285/61  
D235,342 S \* 6/1975 Otto et al. .... D23/260  
D235,343 S \* 6/1975 Otto et al. .... D23/262  
D255,145 S \* 5/1980 Nederman ..... D23/262  
D287,501 S \* 12/1986 Davis ..... D15/150  
4,743,480 A \* 5/1988 Campbell et al. .... 428/36.5  
4,744,695 A \* 5/1988 Lindsey et al. .... 405/183.5

5,328,742 A \* 7/1994 Tukahara ..... 428/105  
6,548,760 B1 \* 4/2003 Stout, Jr. .... 174/650  
D482,761 S \* 11/2003 Gotoh et al. .... D23/262  
D522,109 S \* 5/2006 White et al. .... D23/262  
D576,477 S \* 9/2008 Levy ..... D8/382  
D600,322 S \* 9/2009 Forsythe ..... D23/260  
D600,323 S \* 9/2009 Forsythe ..... D23/260  
D602,128 S \* 10/2009 Williams et al. .... D23/262  
D648,007 S \* 11/2011 Morishita ..... D23/259  
D716,915 S \* 11/2014 Seino et al. .... D23/259  
2003/0084948 A1 \* 5/2003 Tanaka et al. .... 138/109  
2009/0107558 A1 \* 4/2009 Quigley et al. .... 137/15.01  
2011/0297266 A1 \* 12/2011 Railsback et al. .... 138/110

\* cited by examiner

*Primary Examiner* — Eric Goodman

*Assistant Examiner* — Steven Czyn

(74) *Attorney, Agent, or Firm* — Sutherland Asbill & Brennan LLP

(57) **CLAIM**

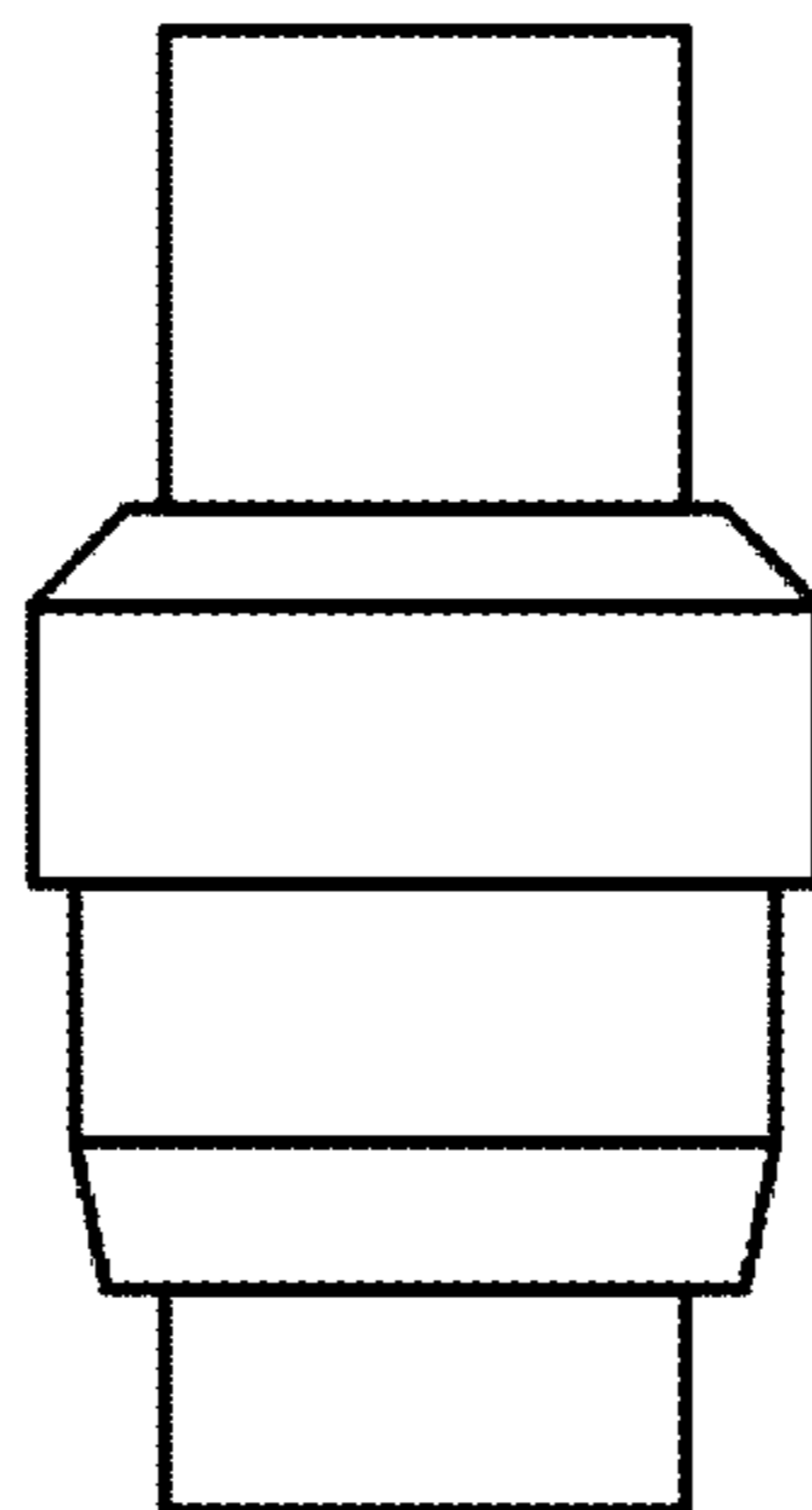
The ornamental design for a terminal component for connecting pipe, as shown and described.

**DESCRIPTION**

FIG. 1 is a front view of the article showing my new design; FIG. 2 is a top view thereof; FIG. 3 is a bottom view thereof; FIG. 4 is a perspective view thereof; FIG. 5 is a further perspective view showing the article in use; FIG. 6 is a sectional view thereof taken along the line 6-6 of FIG. 2, showing the article in use; and, FIG. 7 is a further section view thereof taken along the line 7-7 of FIG. 3, showing the article in use.

A back view, a left side view, and a right side view appear identical to the front view. The broken line showings of connectors and pipe in FIGS. 5-7 are for the purpose of illustrating the usage environment of the terminal component and form no part of the claimed design.

**1 Claim, 4 Drawing Sheets**



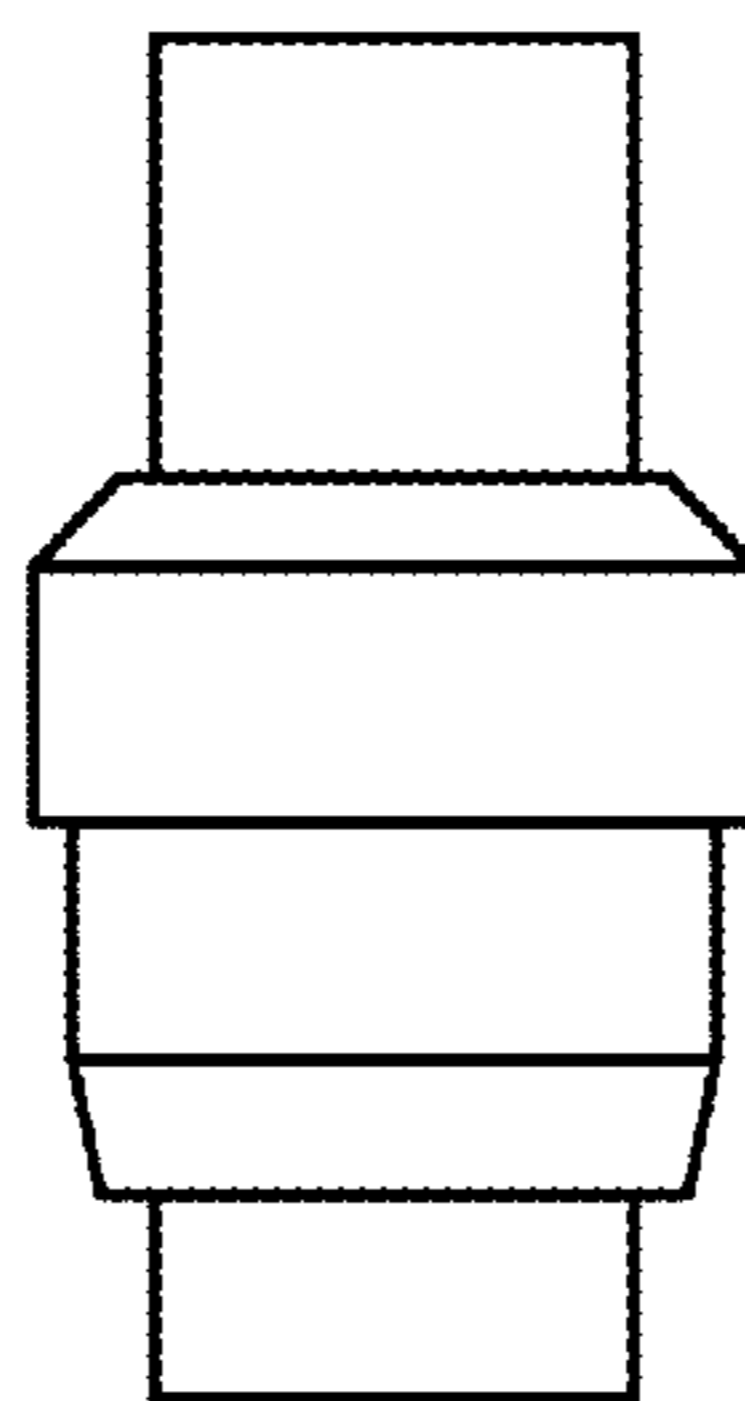


Fig. 1

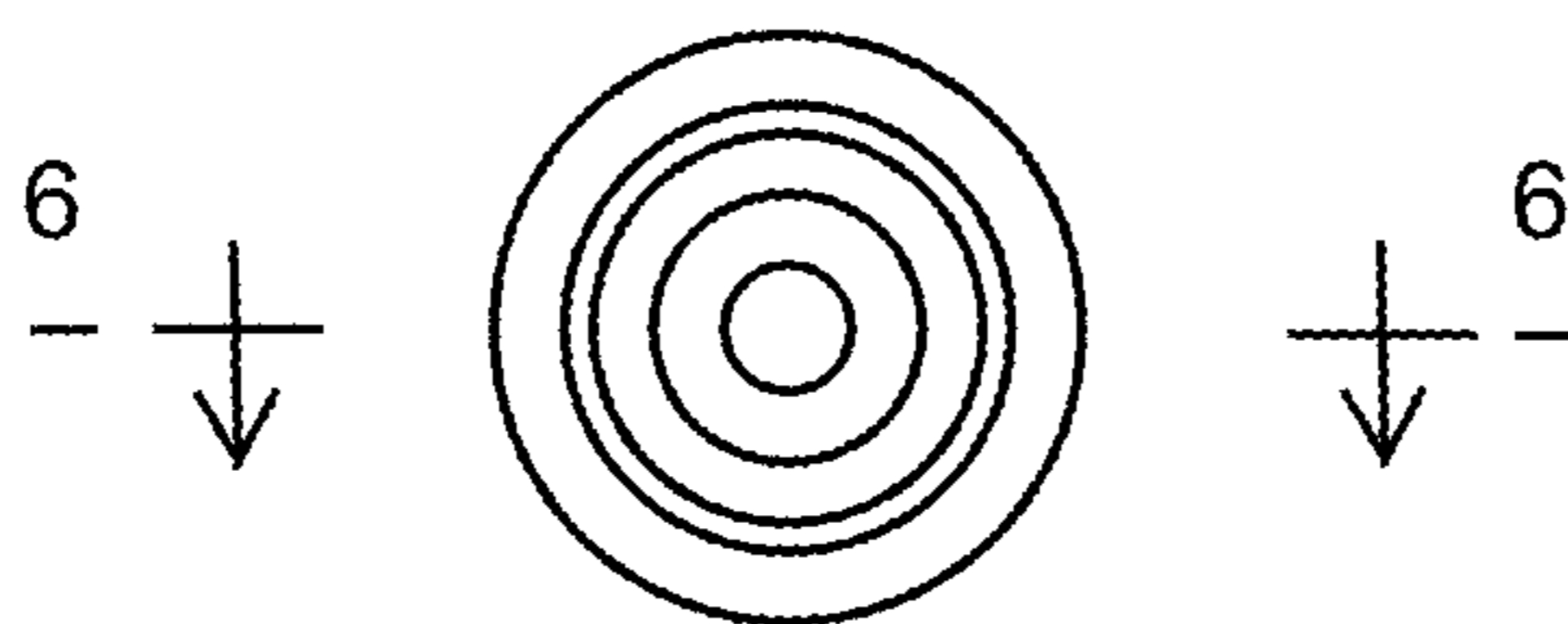


Fig. 2

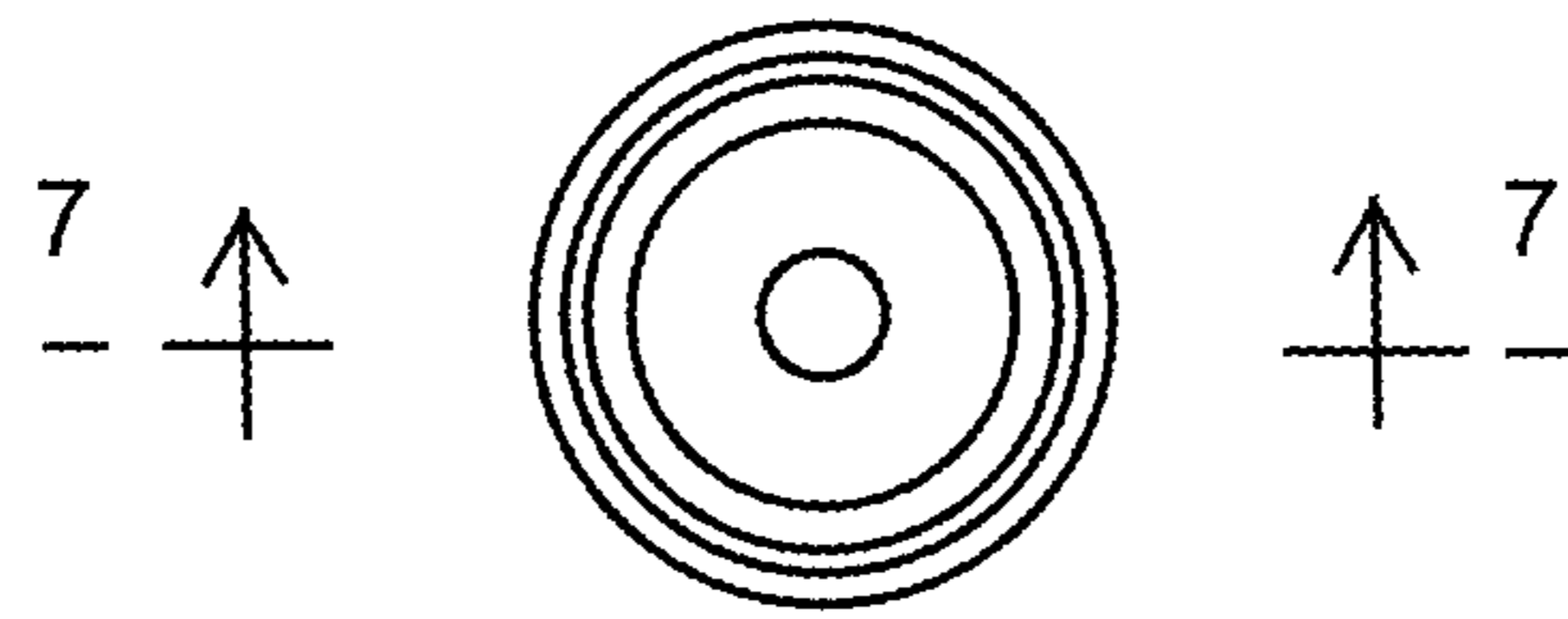


Fig. 3

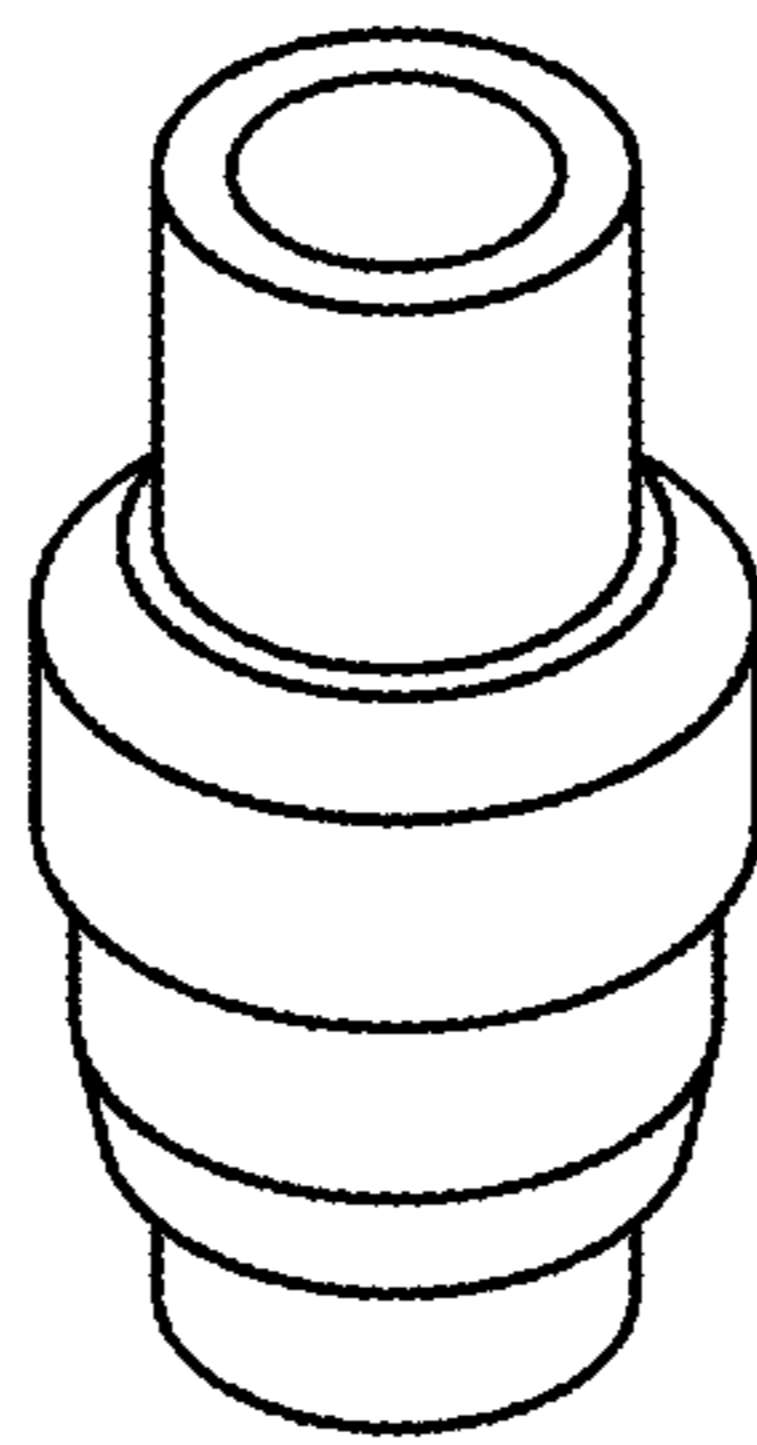


Fig. 4

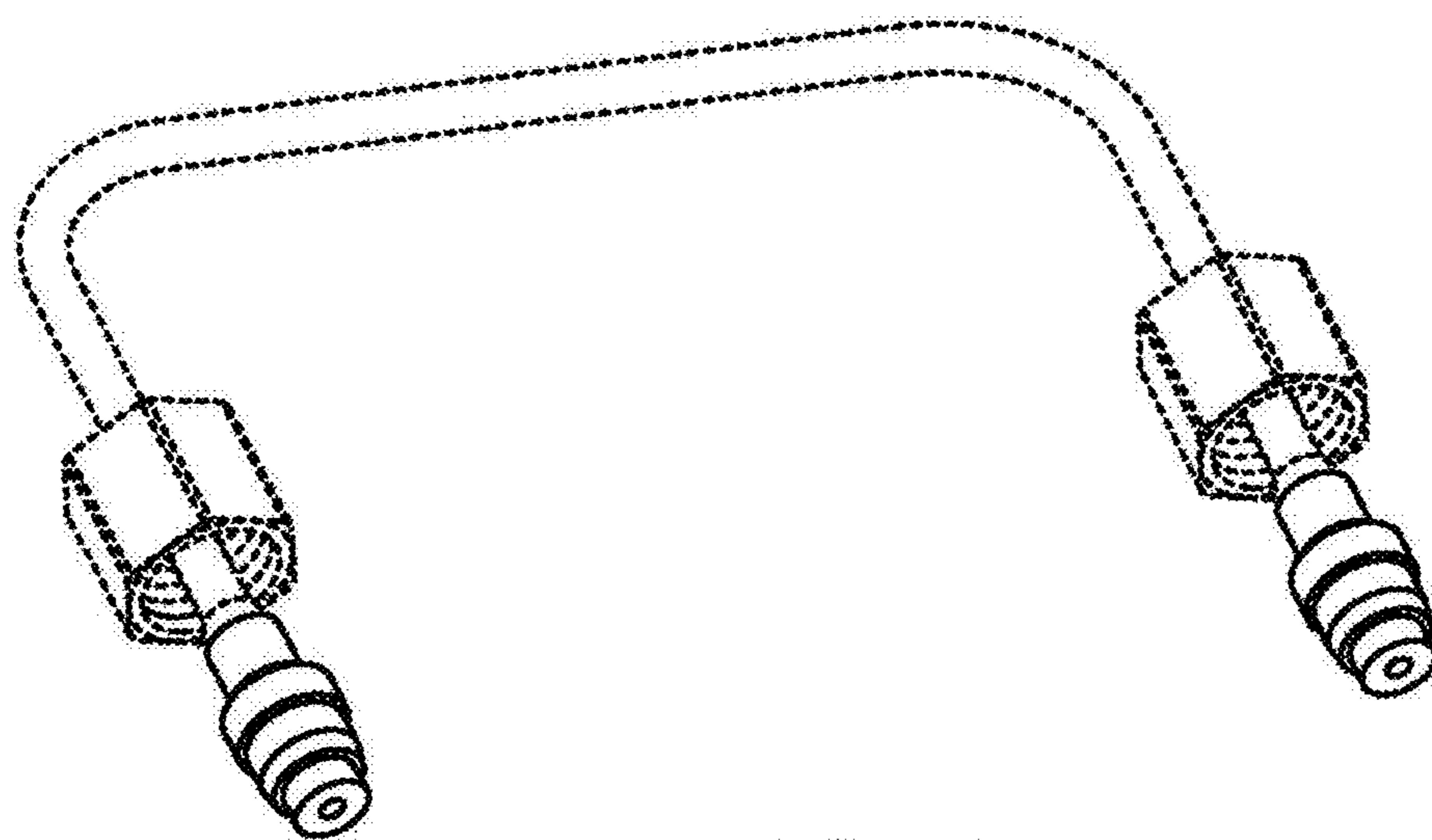


Fig. 5

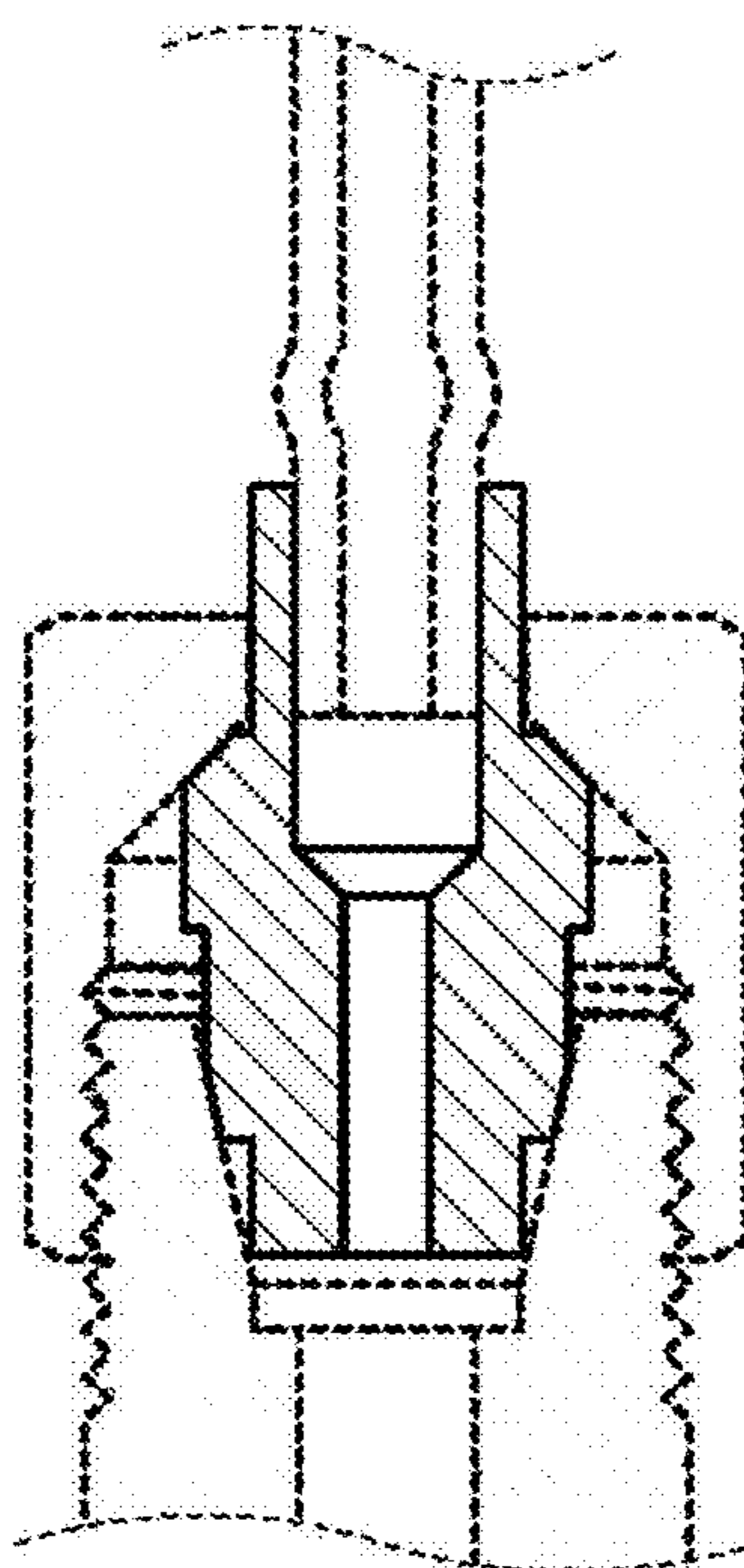


Fig. 6

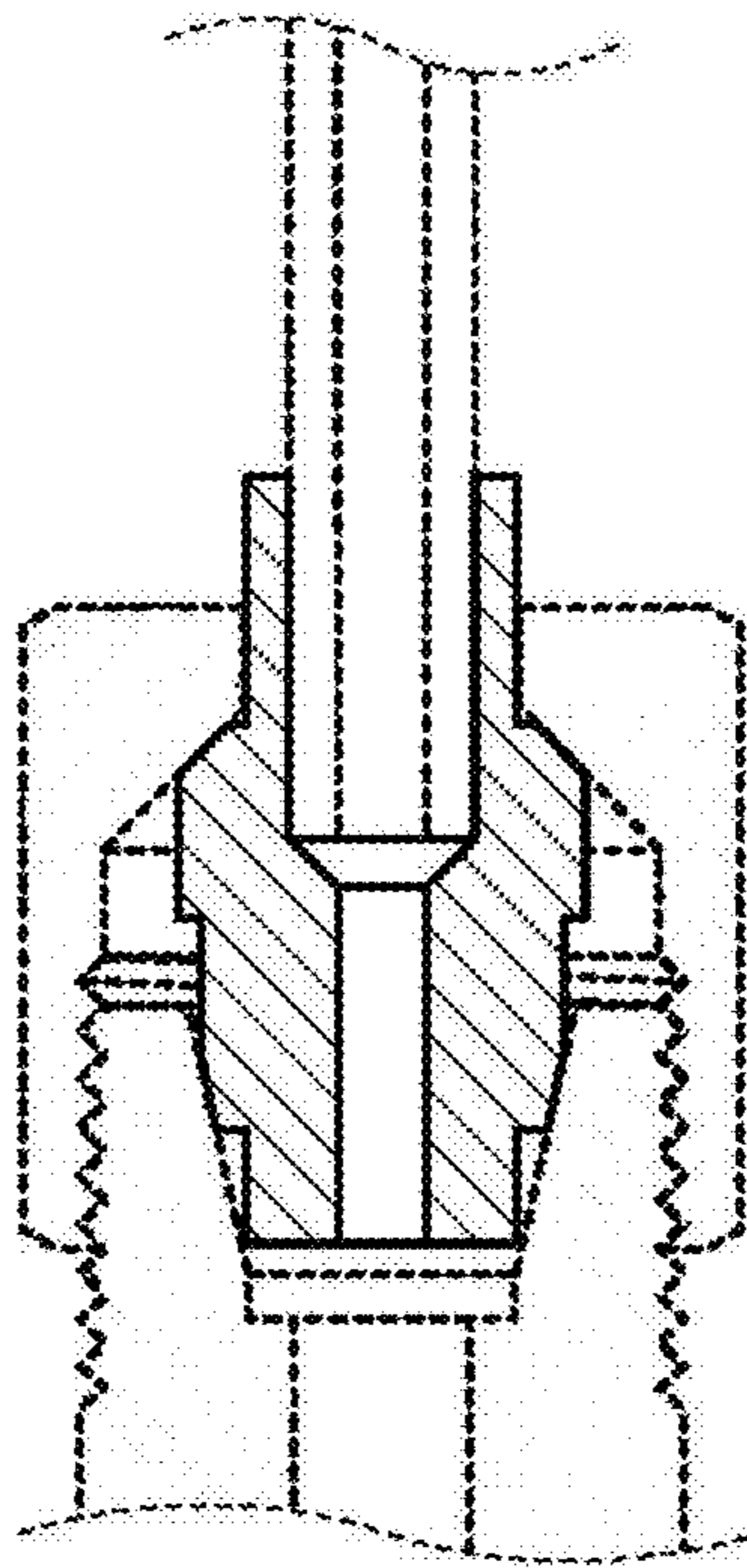


Fig. 7