



US00D730494S

(12) **United States Design Patent**
Arment et al.

(10) **Patent No.:** **US D730,494 S**
(45) **Date of Patent:** **** May 26, 2015**

(54) **CRIMP FITTING FOR JOINING TUBING**

(71) Applicant: **Cerro Flow Products LLC**, Sauget, IL (US)

(72) Inventors: **Bradley Arment**, Shelbyville, MO (US); **Michael Joseph Duggan**, St. Louis, MO (US); **Forrest Nixon**, Columbia, IL (US); **Michael J. Wilson**, Eureka, MO (US)

(73) Assignee: **Cerro Flow Products LLC**, Sauget, IL (US)

(**) Term: **14 Years**

(21) Appl. No.: **29/439,681**

(22) Filed: **Dec. 13, 2012**

(51) **LOC (10) Cl.** **23-01**

(52) **U.S. Cl.**
USPC **D23/262**

(58) **Field of Classification Search**
USPC D23/233, 245, 259-269; 285/86-93
See application file for complete search history.

(56) **References Cited**

U.S. PATENT DOCUMENTS

D26,562	S	*	1/1897	Pike	D23/266
772,975	A	*	10/1904	Stuefee	285/87
834,362	A	*	10/1906	Cram	285/93
1,243,438	A	*	10/1917	Morris	285/328
1,269,335	A	*	6/1918	Tadini	285/88
1,365,884	A	*	1/1921	Bayne	285/92
2,192,914	A	*	3/1940	Ice	29/505
2,872,218	A	*	2/1959	Killian et al.	285/369
3,087,745	A	*	4/1963	Rumbell	285/222.1
3,149,861	A	*	9/1964	Gunnar	285/349
3,189,372	A	*	6/1965	Johnson	285/91
3,244,441	A	*	4/1966	Caudle	285/374
3,266,821	A	*	8/1966	Safford	285/40
3,343,252	A	*	9/1967	Reesor	29/458

3,429,587	A		2/1969	Kish		
D221,078	S	*	7/1971	Seckel et al.	D23/266
3,596,939	A		8/1971	Gibson		
3,603,619	A		9/1971	Bengesser		
3,638,970	A		2/1972	Sandquist et al.		
3,689,206	A	*	9/1972	Meripol	417/547
3,822,464	A		7/1974	Hester et al.		
D234,462	S	*	3/1975	Ahlrot	D23/262
4,130,302	A		12/1978	Mitchell et al.		
4,277,091	A		7/1981	Hunter		
4,330,924	A	*	5/1982	Kushner et al.	29/458
4,357,990	A	*	11/1982	Melnyk	165/76
4,371,199	A		2/1983	Kushner et al.		
4,541,655	A		9/1985	Hunter		
4,541,659	A		9/1985	Nakamura		

(Continued)

OTHER PUBLICATIONS

Electrical Enterprise, Solder 16-14 Butt Connector, <http://electricalenterprise.com/connectors/solder-terminals/solder-16-14/>.*

Primary Examiner — Celia Murphy

Assistant Examiner — John Reickel

(74) *Attorney, Agent, or Firm* — Thompson Coburn LLP

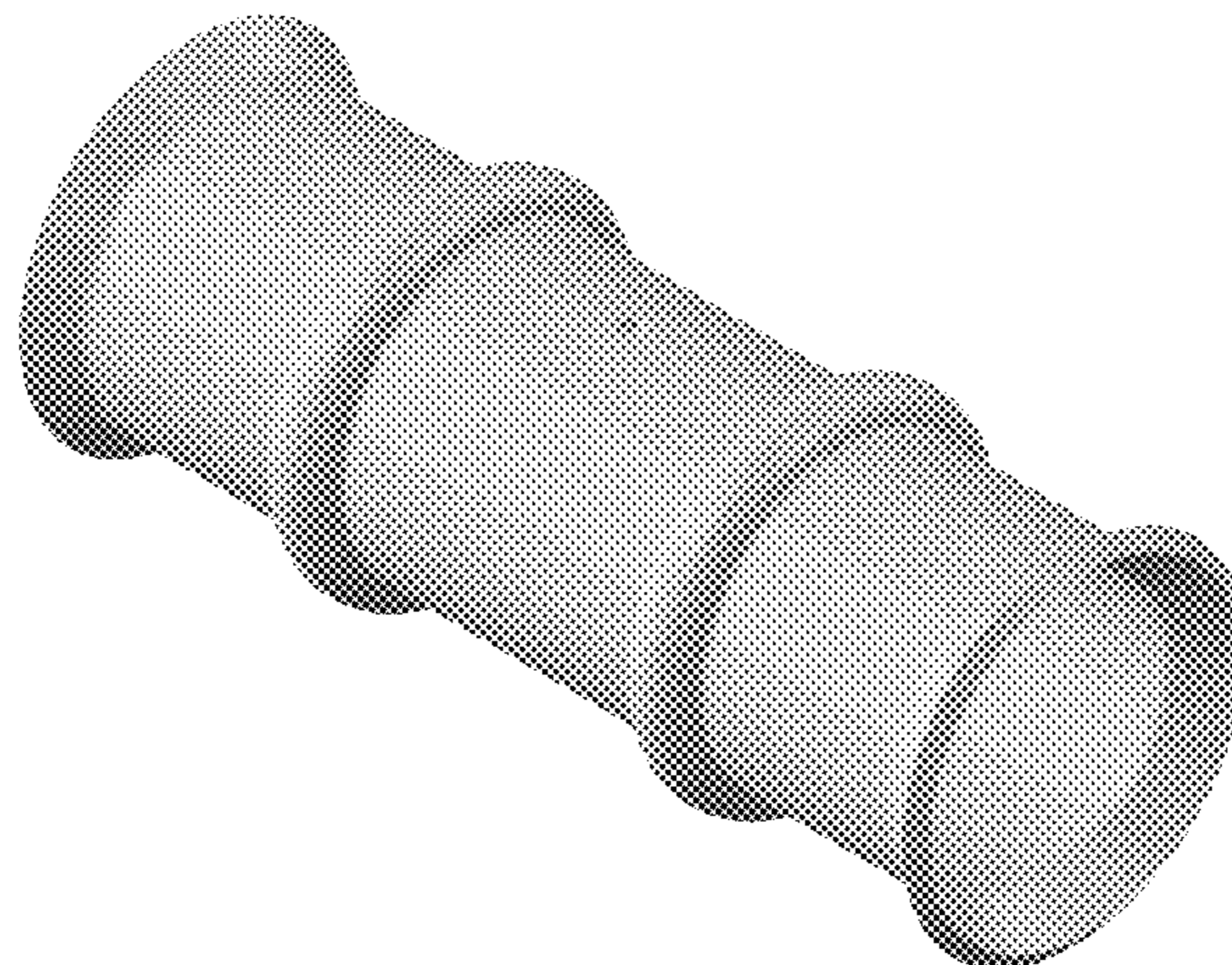
(57) **CLAIM**

The ornamental design for a crimp fitting for joining tubing, as shown and described.

DESCRIPTION

FIG. 1 is a front view of our design for a crimp fitting for joining tubing, the rear view being identical thereto; FIG. 2 is a top view of our design, the bottom view being identical thereto; FIG. 3 is a cross-sectional view of our design taken on line 3-3 shown in FIG. 2; FIG. 4 is a right side view of our design, the left side view being identical thereto; and, FIG. 5 is a perspective view showing the front, right, and top of our design.

1 Claim, 3 Drawing Sheets



(56)

References Cited

U.S. PATENT DOCUMENTS

4,664,423	A	5/1987	Rowley				
D291,482	S *	8/1987	Vassallo et al.	D23/262			
D296,530	S *	7/1988	Nowacki et al.	D10/96			
5,007,667	A	4/1991	Unewisse et al.				
5,228,721	A	7/1993	Whittle et al.				
5,484,174	A	1/1996	Gotoh et al.				
D376,193	S *	12/1996	Lennartsson	D23/266			
					5,918,914	A	7/1999 Morris
					6,202,284	B1	3/2001 Joblin
					6,481,764	B1	11/2002 Kwok
					D603,941	S *	11/2009 Leelaprachakul D23/266
					D623,277	S *	9/2010 Guzzoni et al. D23/262
					8,020,272	B2 *	9/2011 Ghiran et al. 29/421.1
					8,584,503	B1 *	11/2013 Steiner et al. 72/416
					2008/0048448	A1	2/2008 Jamison et al.
					2010/0133808	A1	6/2010 Castiglioni et al.
					2010/0156097	A1	6/2010 Steiner

* cited by examiner

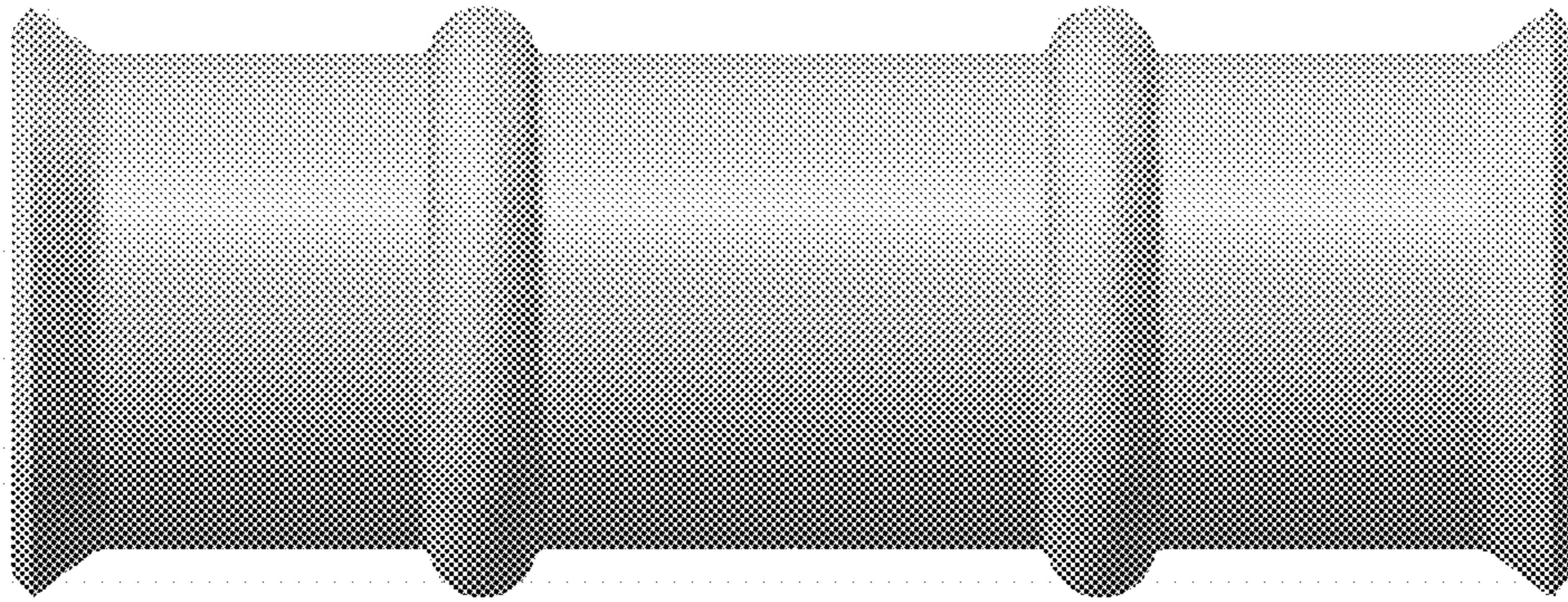


FIG. 1

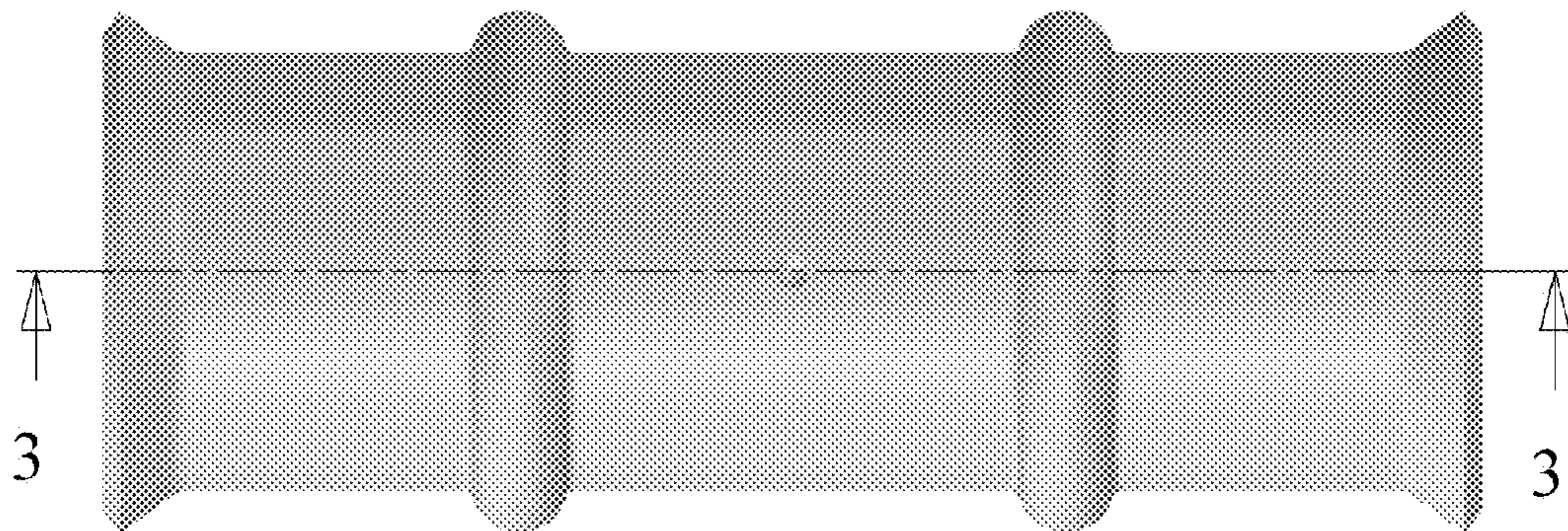


FIG. 2

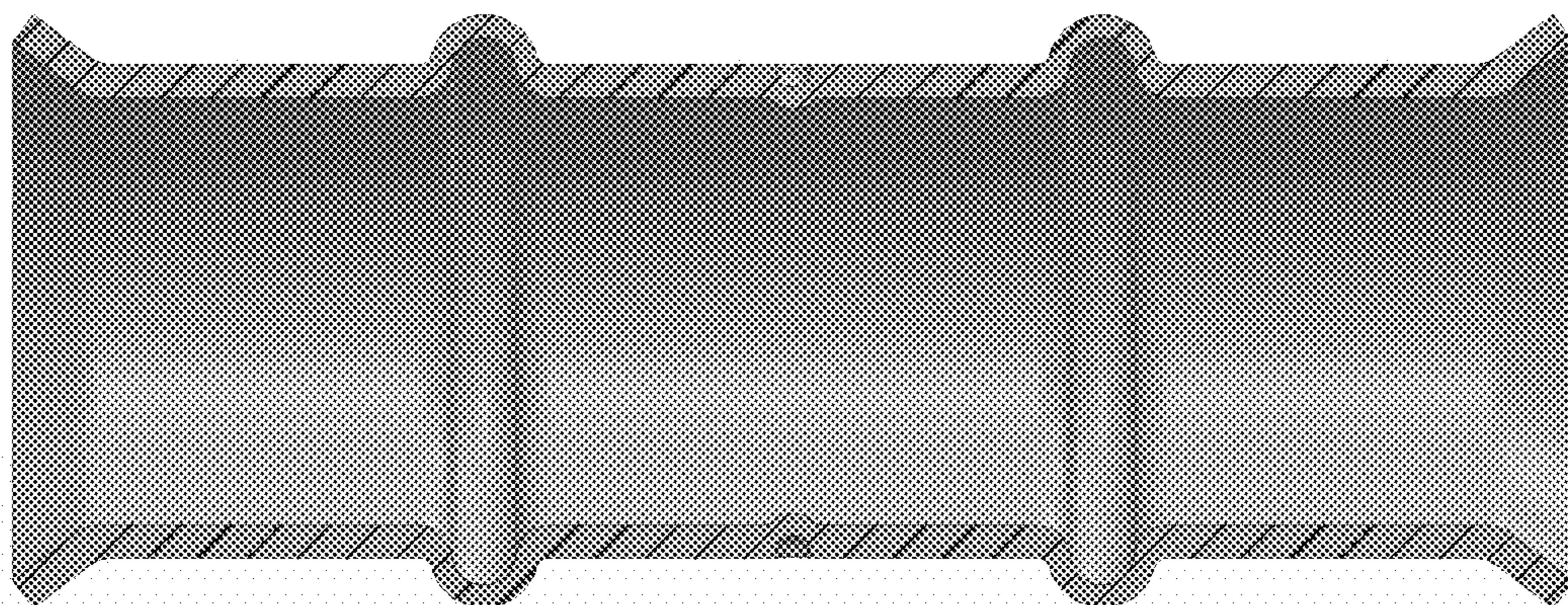


FIG. 3

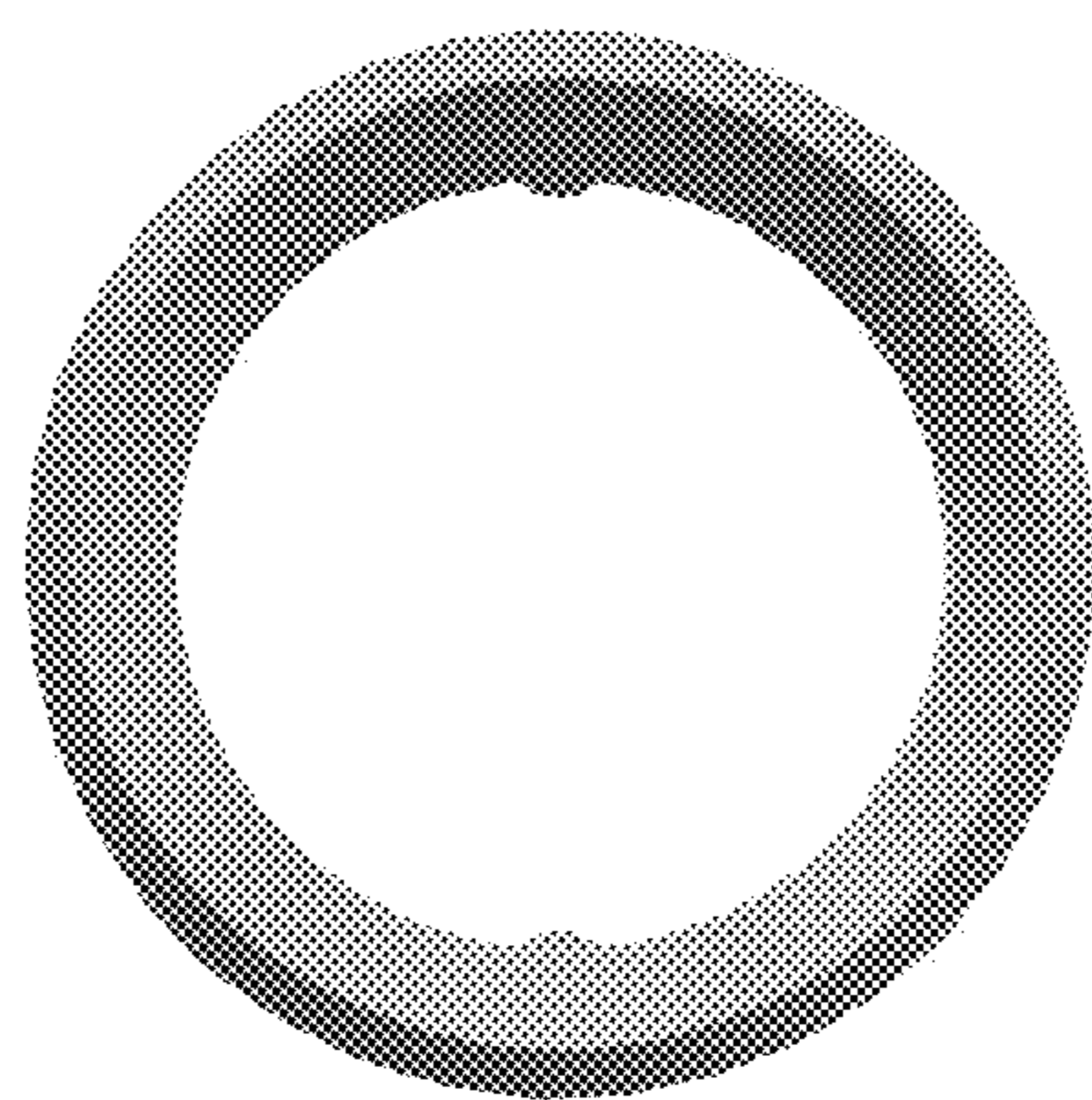


FIG. 4

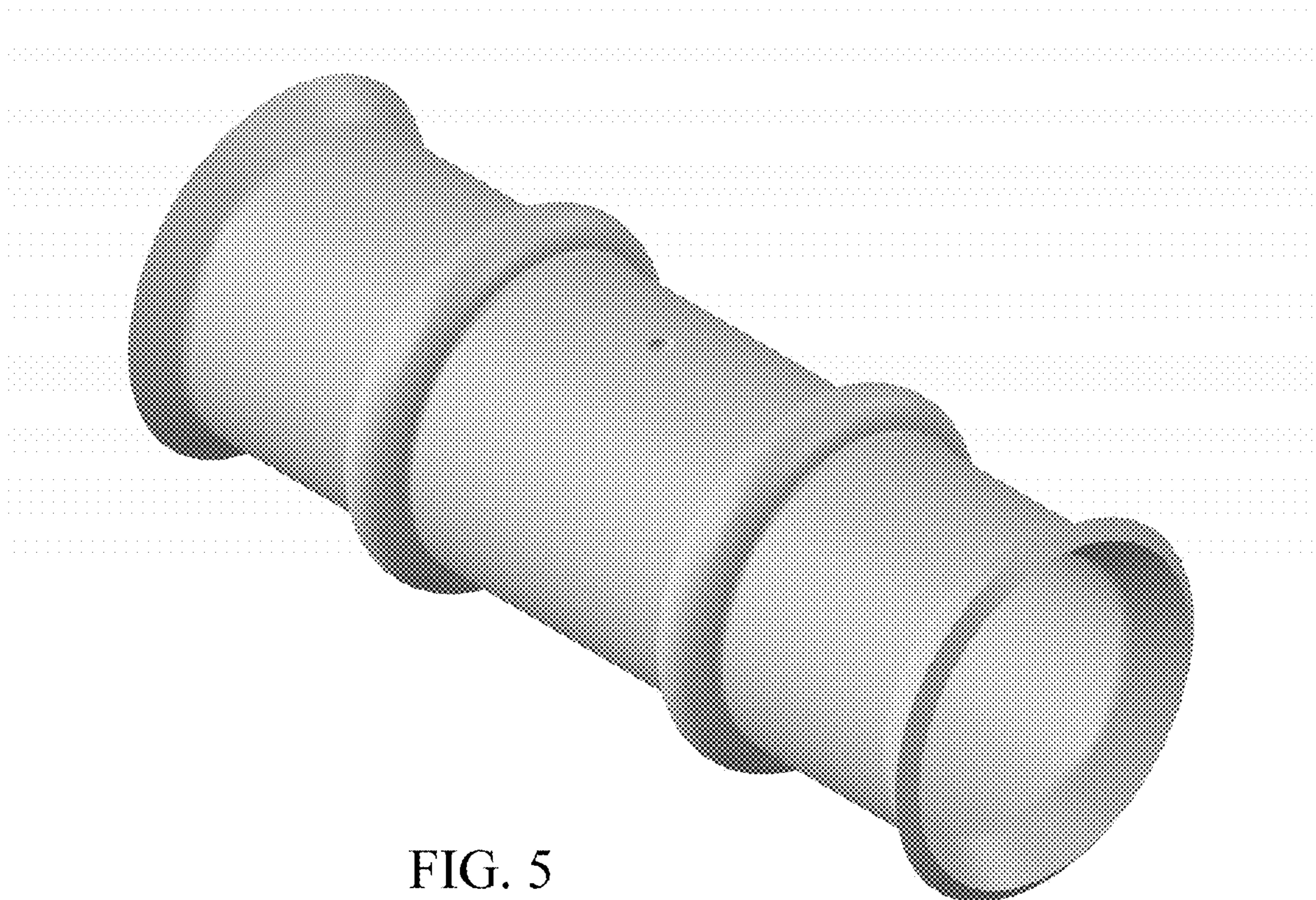


FIG. 5