

US00D730492S

(12) **United States Design Patent**
Flowers et al.

(10) **Patent No.:** **US D730,492 S**
(45) **Date of Patent:** **** May 26, 2015**

(54) **BATH SHOWER HANDLE**

(71) Applicant: **Grohe AG**, Hemer (DE)

(72) Inventors: **Paul Flowers**, Duesseldorf (DE); **Jochen Allard**, Menden (DE)

(73) Assignee: **Grohe AG**, Hemer (DE)

(**) Term: **14 Years**

(21) Appl. No.: **29/510,813**

(22) Filed: **Dec. 3, 2014**

(30) **Foreign Application Priority Data**

Jun. 3, 2014 (EM) 002475368-0033
Jun. 3, 2014 (EM) 002475368-0037

(51) **LOC (10) Cl.** **23-01**

(52) **U.S. Cl.**
USPC **D23/254**

(58) **Field of Classification Search**
CPC E03C 1/04; E03C 1/0401; E03C 1/0402;
E03C 1/0404
USPC D23/238, 241–243, 249–250, 253–254;
D8/350–358; 137/359; 16/402
See application file for complete search history.

(56) **References Cited**

U.S. PATENT DOCUMENTS

D441,059 S * 4/2001 Fleischmann D23/254
D441,845 S * 5/2001 Fleischmann D23/254

D494,661 S * 8/2004 Zieger et al. D23/254
D534,622 S * 1/2007 Chu et al. D23/238
D568,447 S * 5/2008 Lai D23/250
D589,594 S * 3/2009 Lammel et al. D23/238
D591,398 S * 4/2009 Lammel et al. D23/238
D645,120 S * 9/2011 Lammel et al. D23/238
D679,781 S * 4/2013 Flowers et al. D23/250
D700,297 S * 2/2014 Flowers et al. D23/254

* cited by examiner

Primary Examiner — Robert Delehanty

(74) *Attorney, Agent, or Firm* — Muncy, Geissler, Olds & Lowe, P.C.

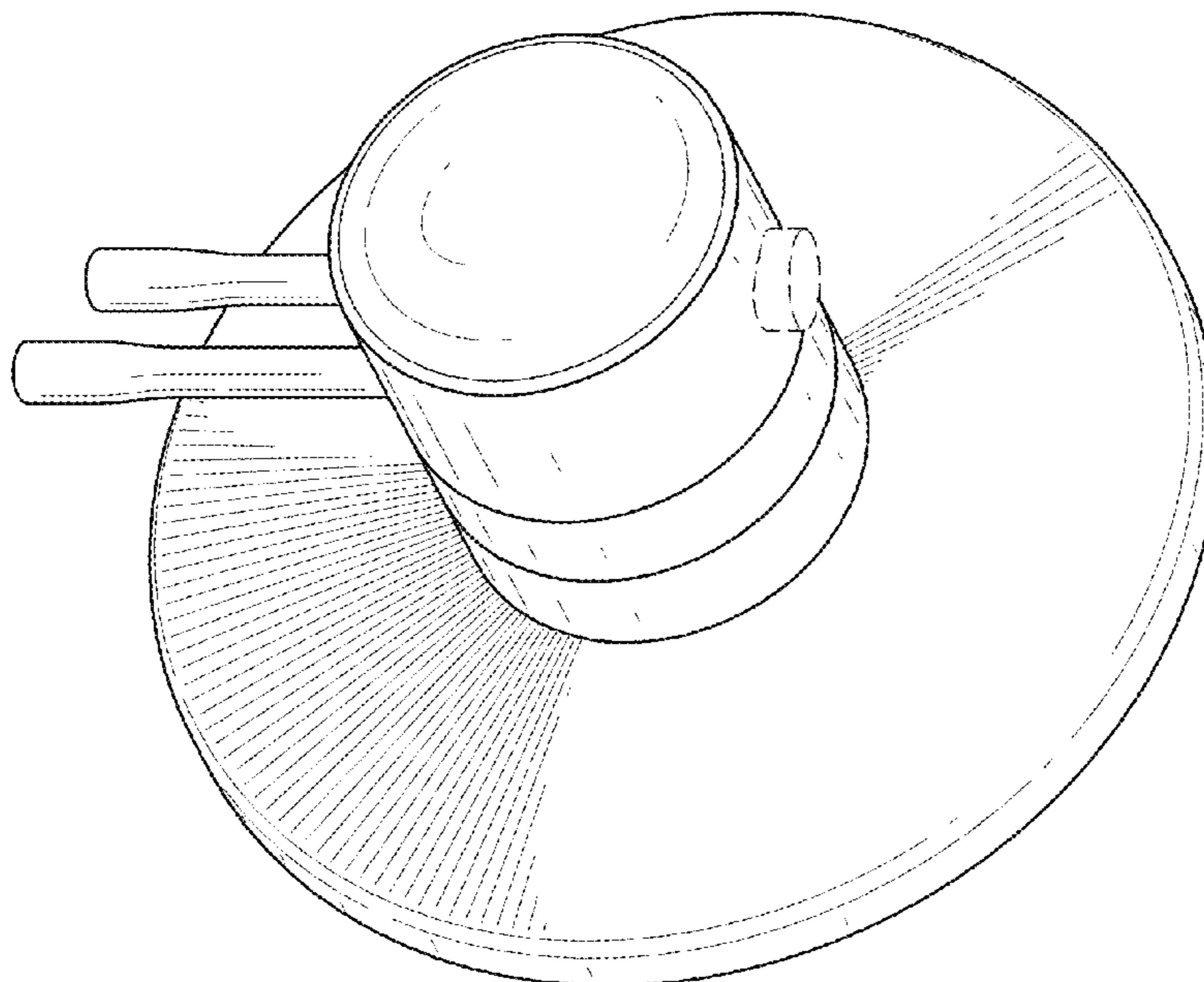
(57) **CLAIM**

The ornamental design for a bath shower handle, as shown and described.

DESCRIPTION

FIG. 1 is a front perspective view of a bath shower handle according to the present invention.
FIG. 2 is a left side view of the bath shower handle of FIG. 1.
FIG. 3 is a right side view of the bath shower handle of FIG. 1.
FIG. 4 is a top view of the bath shower handle of FIG. 1.
FIG. 5 is a bottom view of the bath shower handle of FIG. 1.
FIG. 6 is a front view of the bath shower handle of FIG. 1; and, FIG. 7 is a rear view of the bath shower handle of FIG. 1.
The dashed lines illustrate environment that does not form a part of the present invention, and no claim is made to the material illustrated with dashed lines.

1 Claim, 7 Drawing Sheets



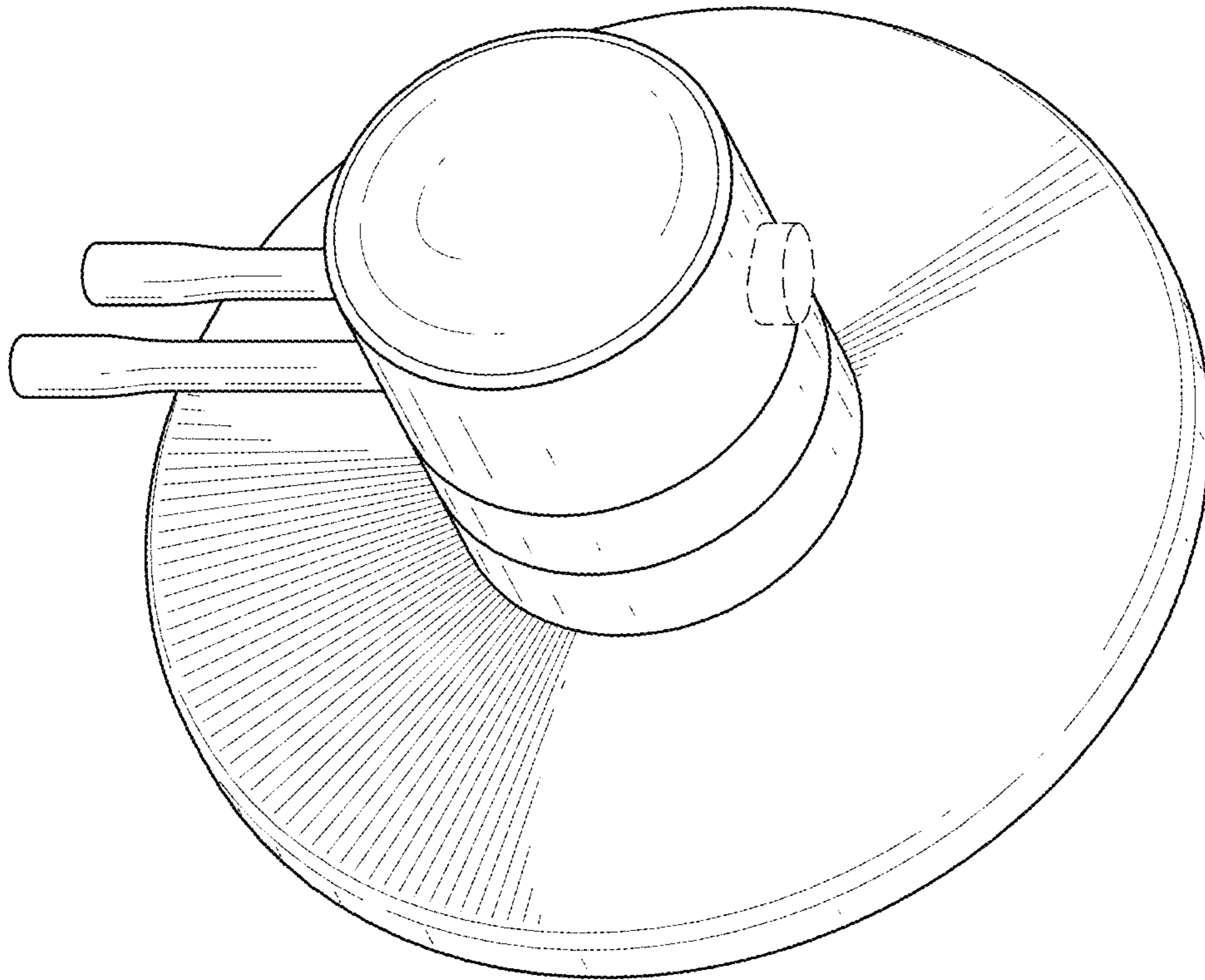


FIG.1

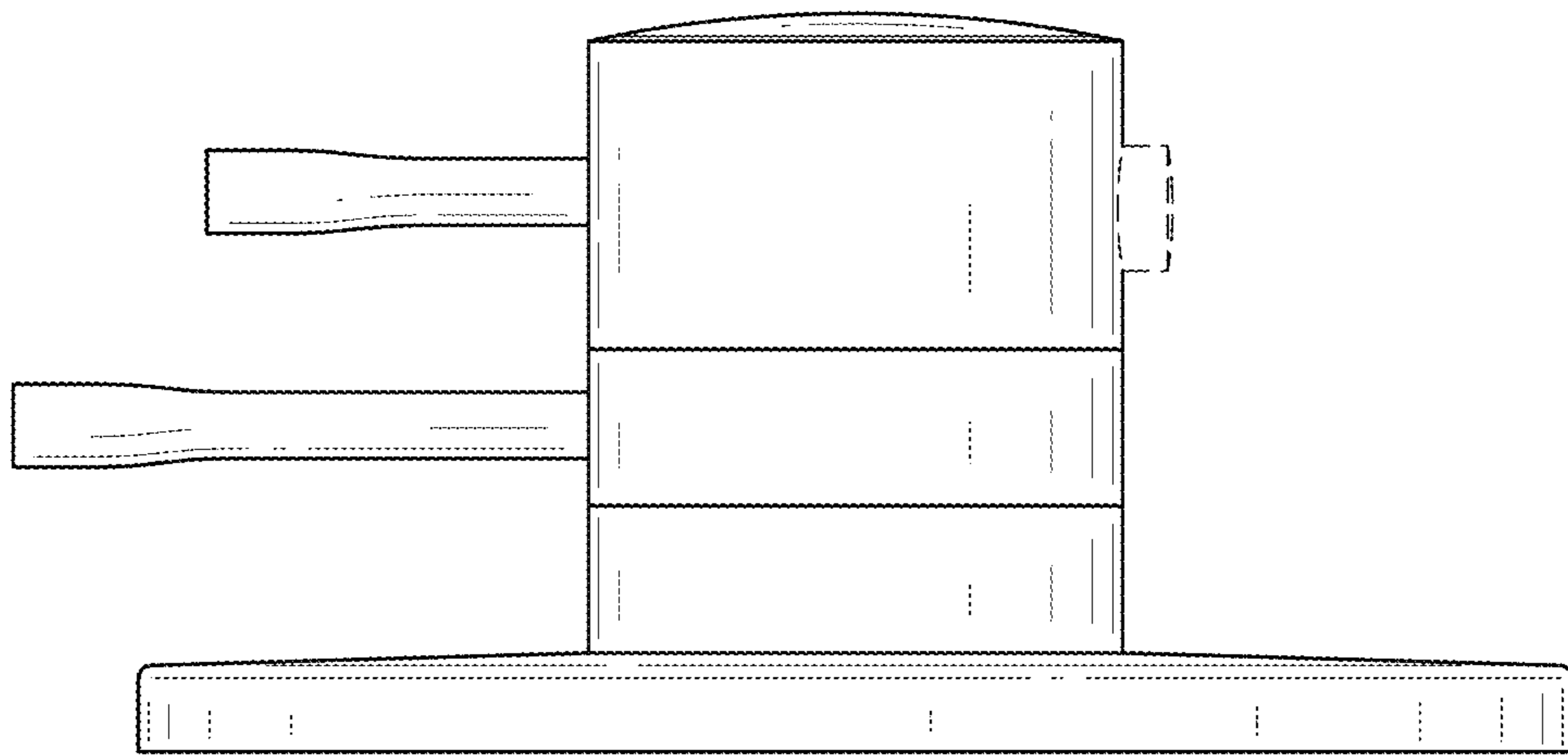


FIG.2

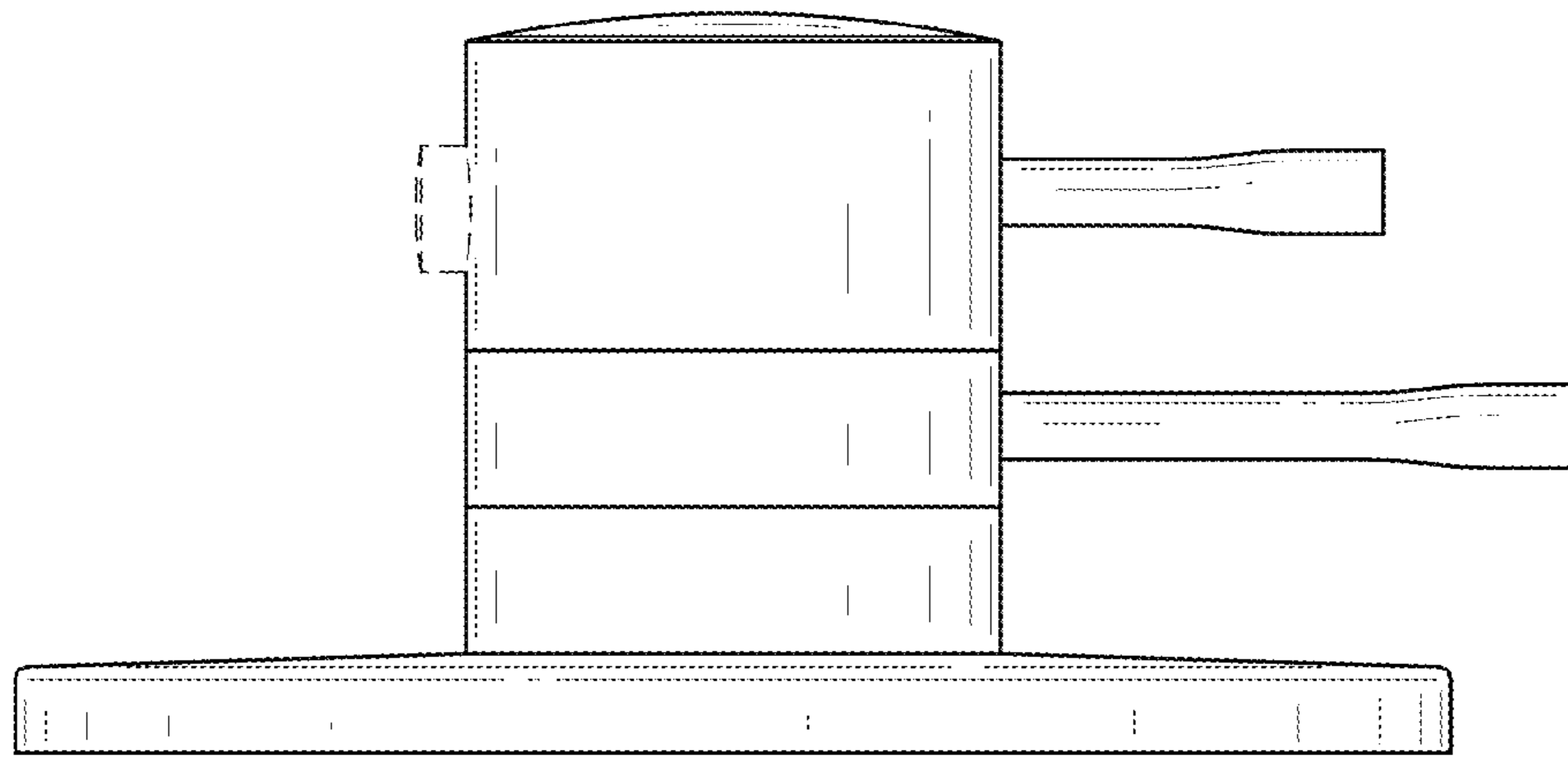


FIG.3

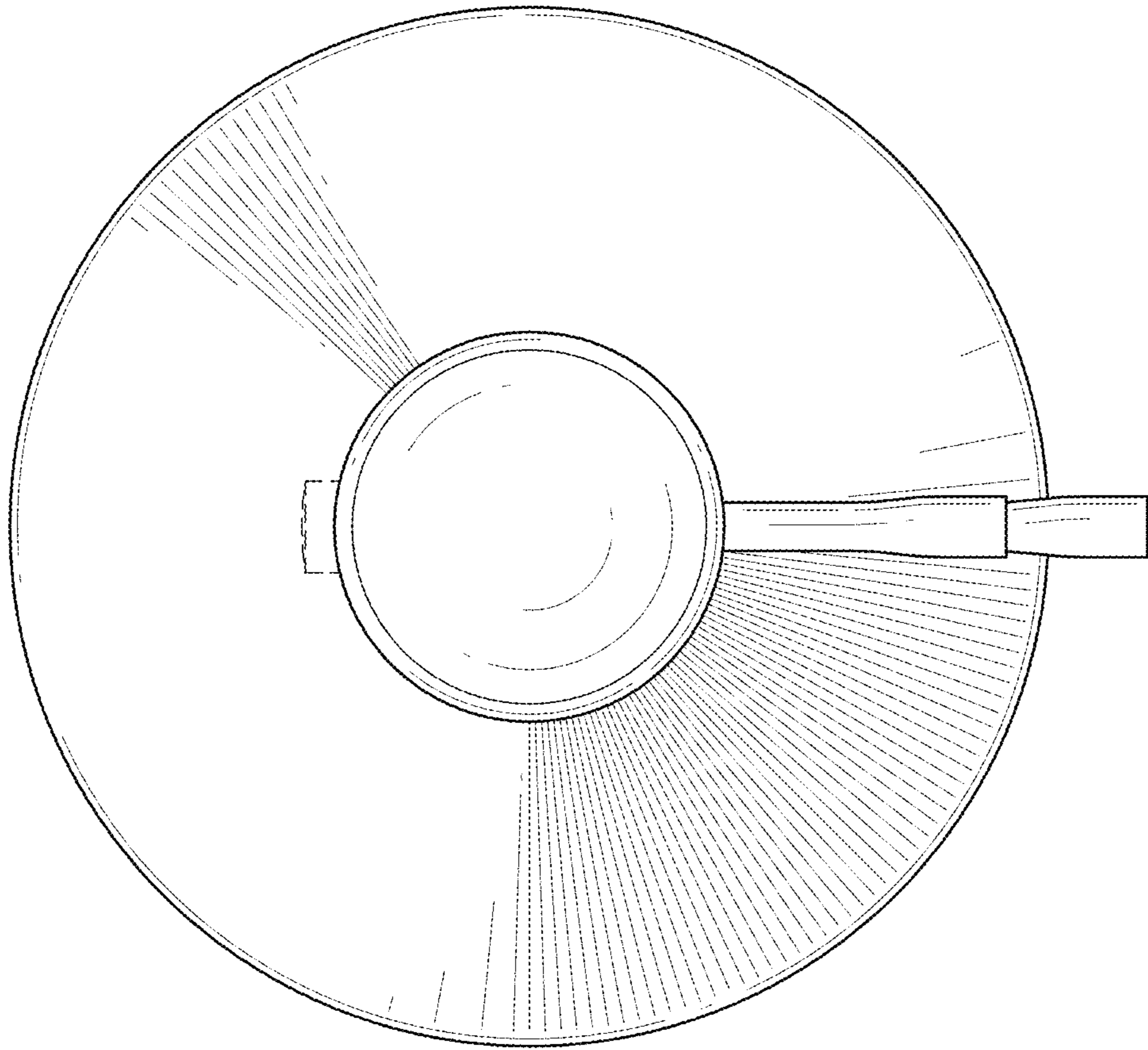


FIG.4

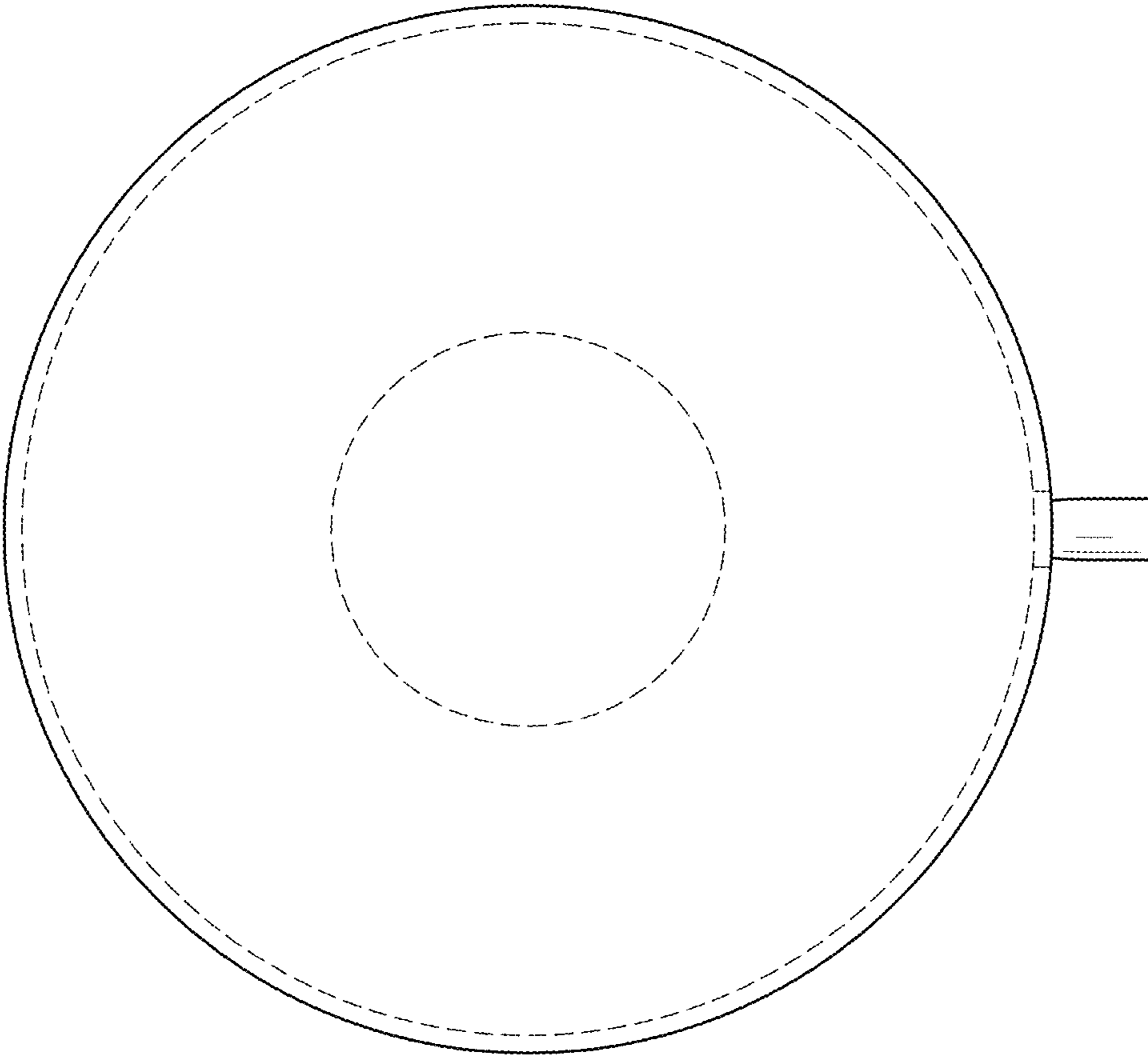


FIG.5

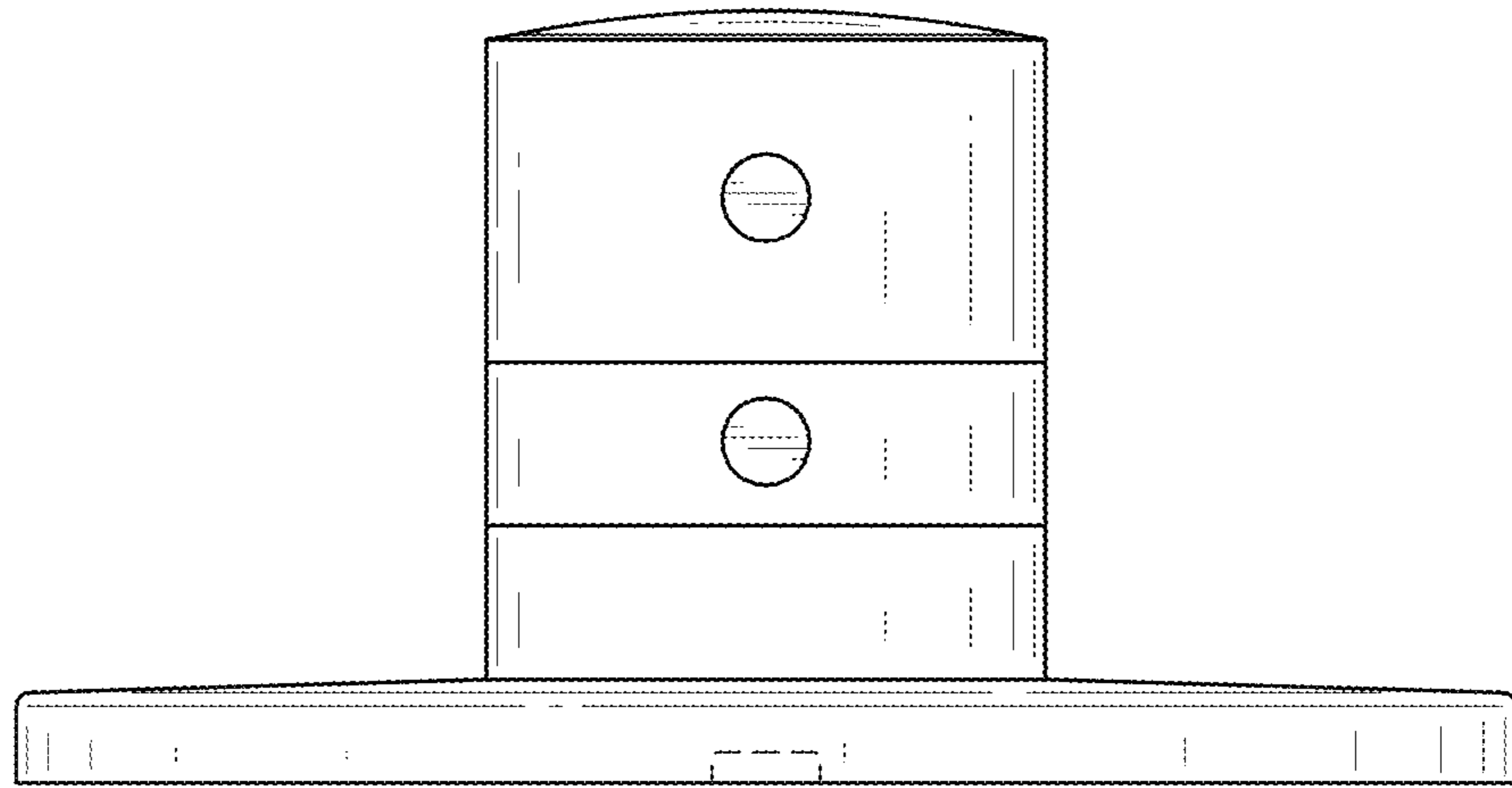


FIG.6

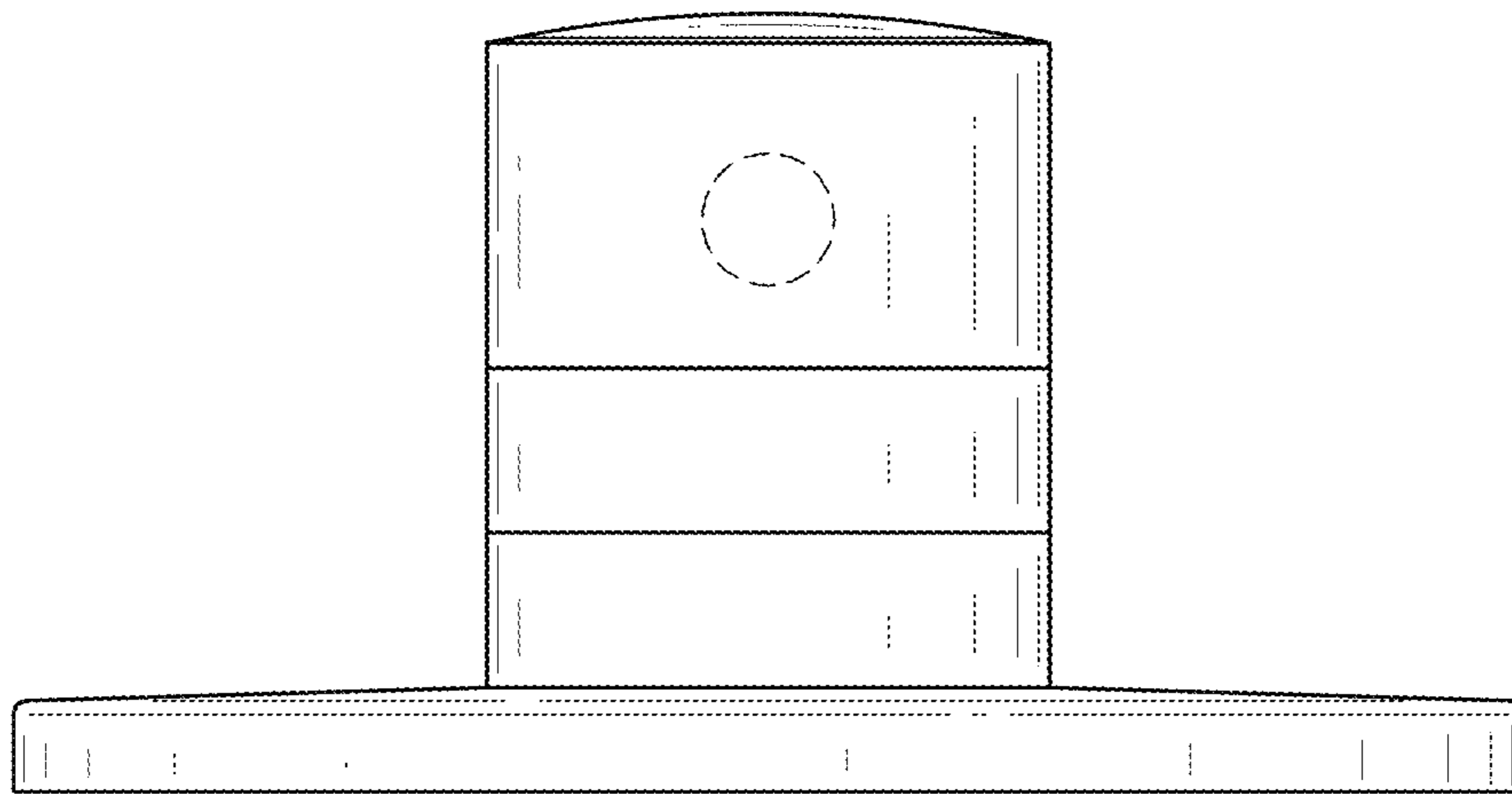


FIG.7