



US00D730491S

(12) **United States Design Patent**  
**Yamamoto et al.**

(10) **Patent No.:** **US D730,491 S**  
(45) **Date of Patent:** **\*\* May 26, 2015**

(54) **POSITIONING TOOL FOR VALVE**

FOREIGN PATENT DOCUMENTS

- (71) Applicant: **Fumoto Giken Co., Ltd.**, Miura-gun, Kanagawa (JP)
- (72) Inventors: **Ryohei Yamamoto**, Kanagawa (JP); **Yuho Yamamoto**, Kanagawa (JP); **Naoyuki Yamamoto**, Kanagawa (JP)
- (73) Assignee: **FUMOTO GIKEN CO., LTD.**, Hayama-Machi (JP)

JP 2546566 Y2 5/1997  
*Primary Examiner* — Cynthia Ramirez  
 (74) *Attorney, Agent, or Firm* — Masuvalley and Partners

- (\*\*) Term: **14 Years**
- (21) Appl. No.: **29/487,941**
- (22) Filed: **Apr. 14, 2014**

(57) **CLAIM**  
 The ornamental design for a positioning tool for valve, as shown and described.

(30) **Foreign Application Priority Data**

**DESCRIPTION**

- Feb. 26, 2014 (JP) ..... 2014-035485
- (51) **LOC (10) Cl.** ..... **23-01**
- (52) **U.S. Cl.**  
USPC ..... **D23/233**
- (58) **Field of Classification Search**  
CPC ..... F16K 27/08; F02M 25/0715  
USPC ..... D23/233-237, 244-249; 137/377, 382, 137/315; 251/99, 288, 286, 315, 148  
See application file for complete search history.

FIG. 1 is a perspective view of the positioning tool for valve according to the invention;  
 FIG. 2 is a top plan view of the positioning tool for valve of FIG. 1;  
 FIG. 3 is a bottom plan view of the positioning tool for valve of FIG. 1;  
 FIG. 4 is a front view of the positioning tool for valve of FIG. 1;  
 FIG. 5 is a rear view of the positioning tool for valve of FIG. 1;  
 FIG. 6 is a left elevation view of the positioning tool for valve of FIG. 1;  
 FIG. 7 is a right elevation view of the positioning tool for valve of FIG. 1;  
 FIG. 8 is a cross-sectional view of the positioning tool for valve through line 8-8 shown in FIG. 2;  
 FIG. 9 is a cross-sectional view of the positioning tool for valve through line 9-9 shown in FIG. 2;  
 FIG. 10 is a cross-sectional view of the positioning tool for valve through line 10-10 shown in FIG. 9;  
 FIG. 11 is a perspective view of the positioning tool for valve of FIG. 1, and also showing a valve to which the positioning tool for valve is to be attached in broken lines; and,  
 FIG. 12 is a perspective view of the positioning tool for valve of FIG. 1, and also showing a valve to which the positioning tool for valve is attached in broken lines.  
 The broken lines showing a valve are for the purpose of illustrating environment and form no part of the claimed design.

(56) **References Cited**

U.S. PATENT DOCUMENTS

- 4,380,247 A \* 4/1983 Douglas ..... 137/382
- 5,072,913 A \* 12/1991 Carroll et al. .... 251/99
- 5,275,200 A \* 1/1994 Yamamoto ..... 137/377
- 6,325,355 B1 \* 12/2001 Johnson ..... 251/99
- 6,371,155 B1 \* 4/2002 Balocca ..... 137/377
- 7,226,285 B2 \* 6/2007 Tsai ..... 431/153
- 7,849,877 B2 \* 12/2010 Tan et al. .... 137/625.46
- 2007/0163654 A1 \* 7/2007 Elliott ..... 137/312
- 2014/0124056 A1 \* 5/2014 Zeyfang ..... 137/382

\* cited by examiner

**1 Claim, 12 Drawing Sheets**

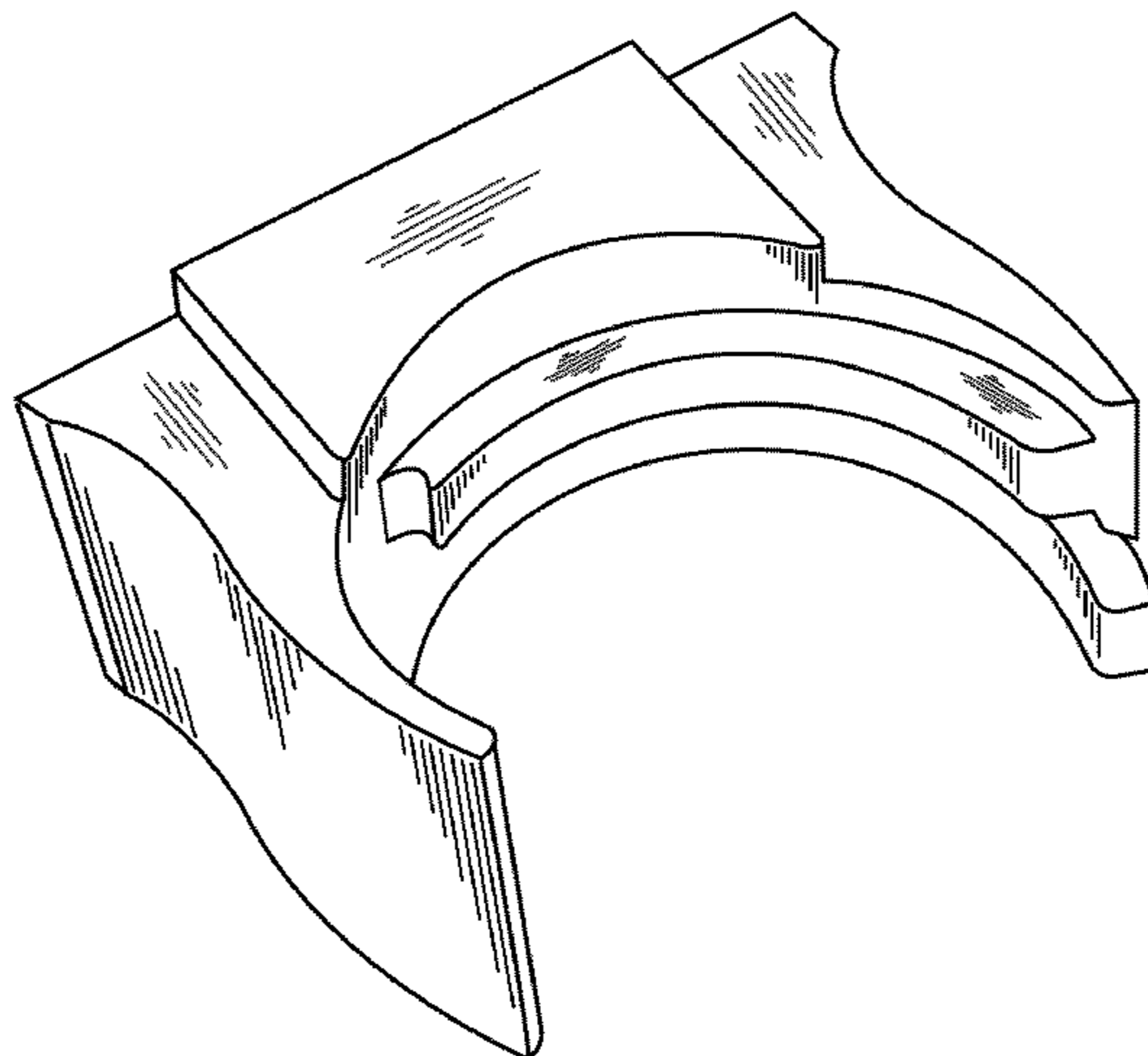


FIG. 1

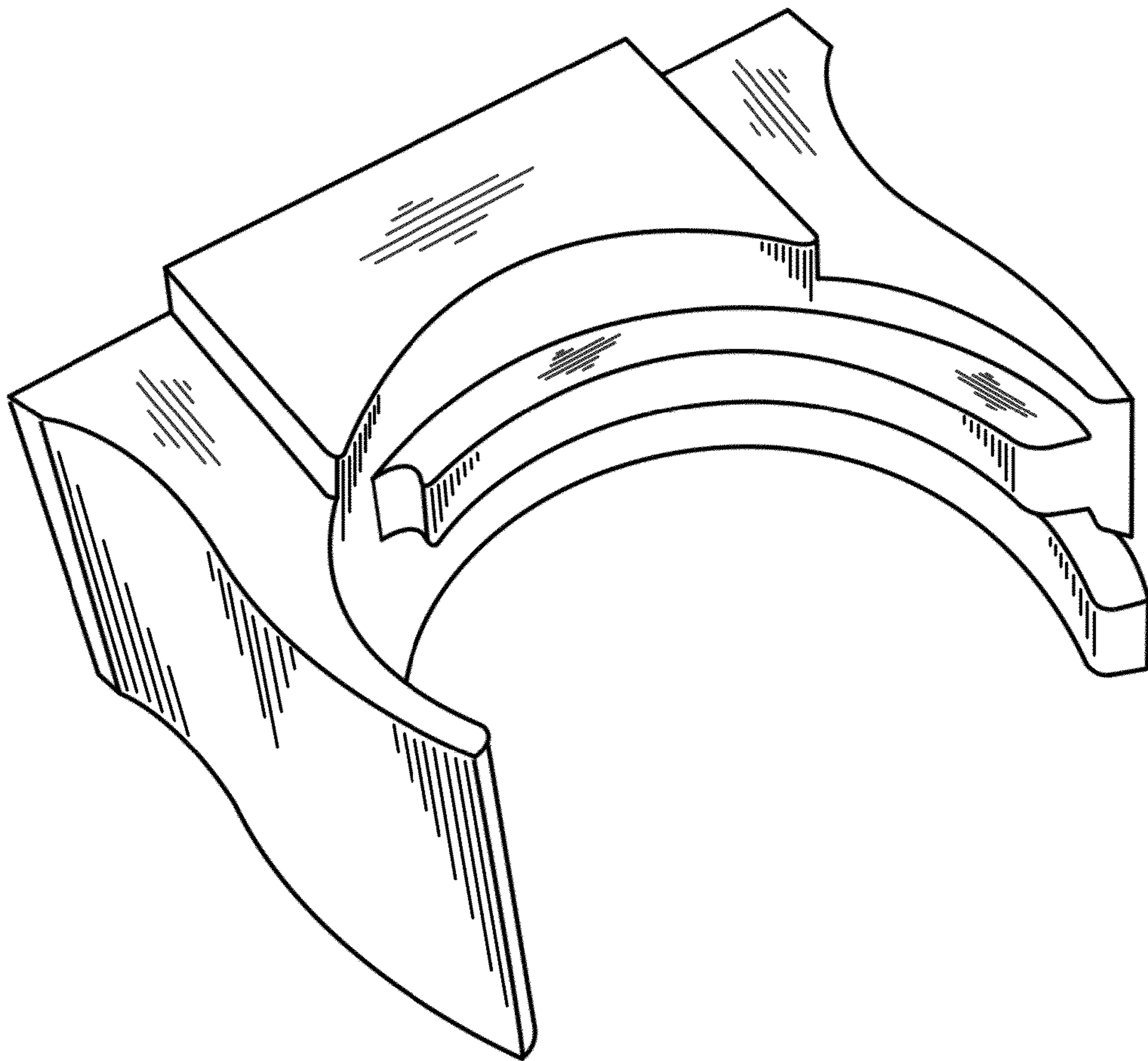


FIG. 2

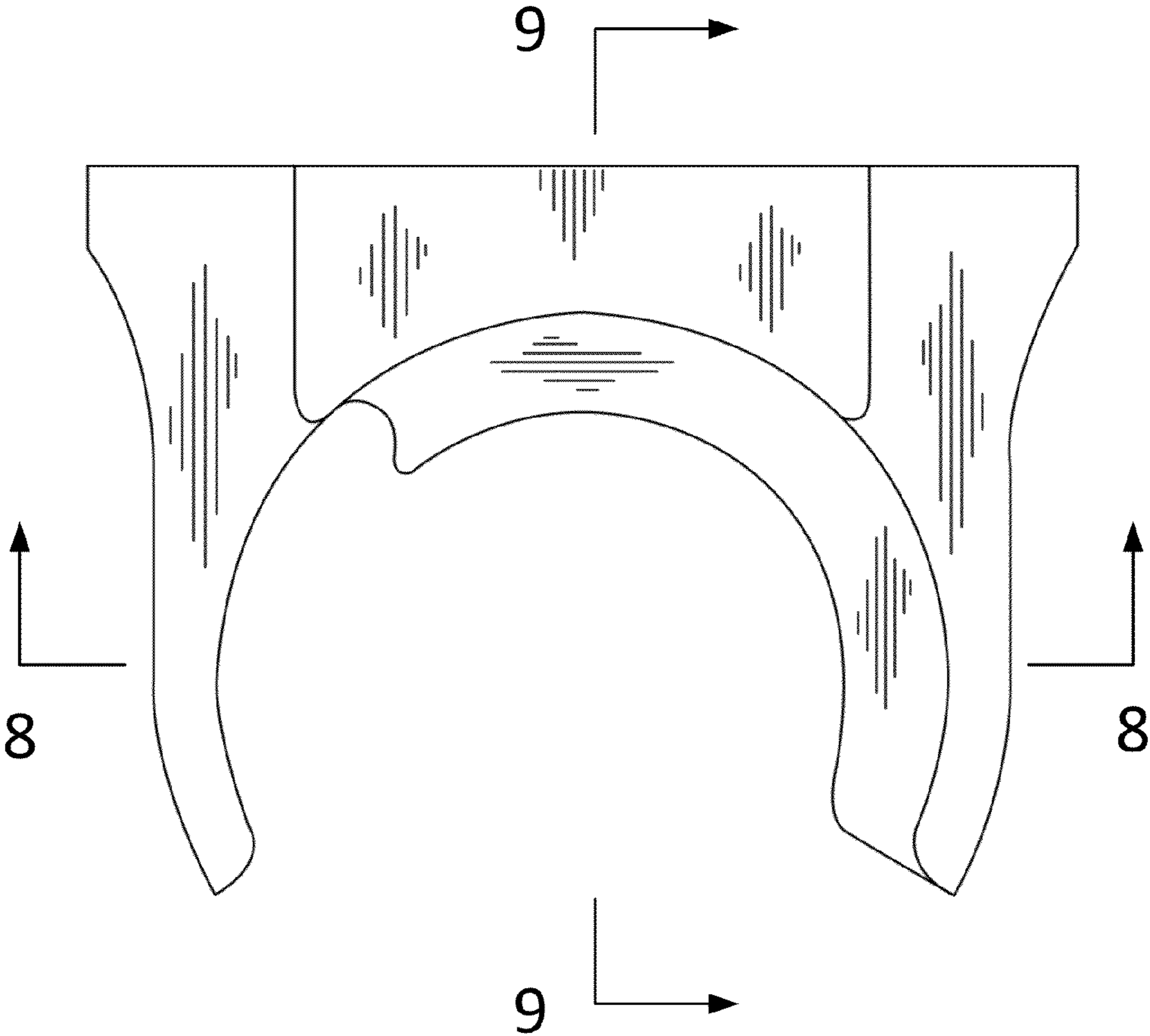


FIG. 3

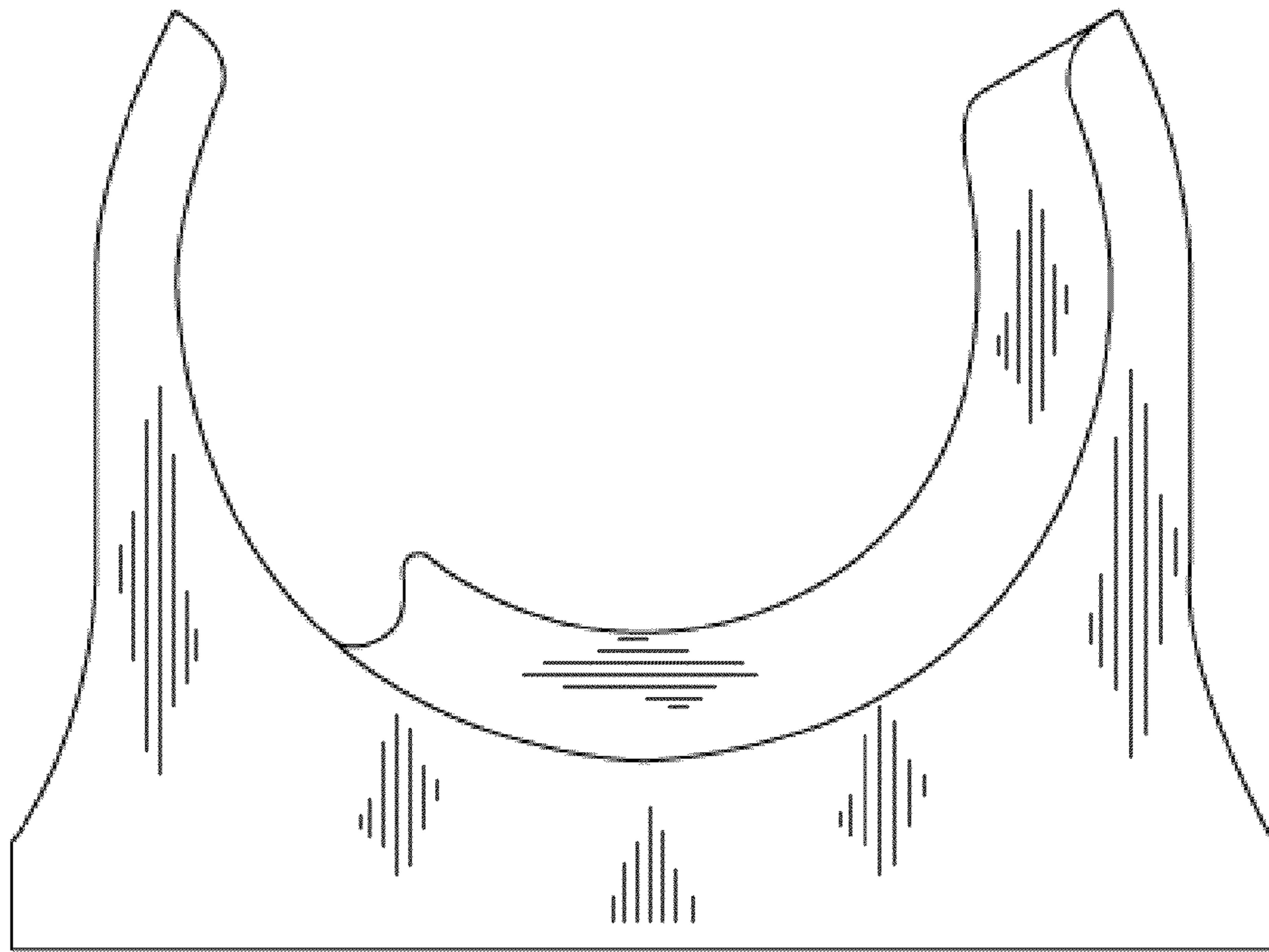


FIG. 4

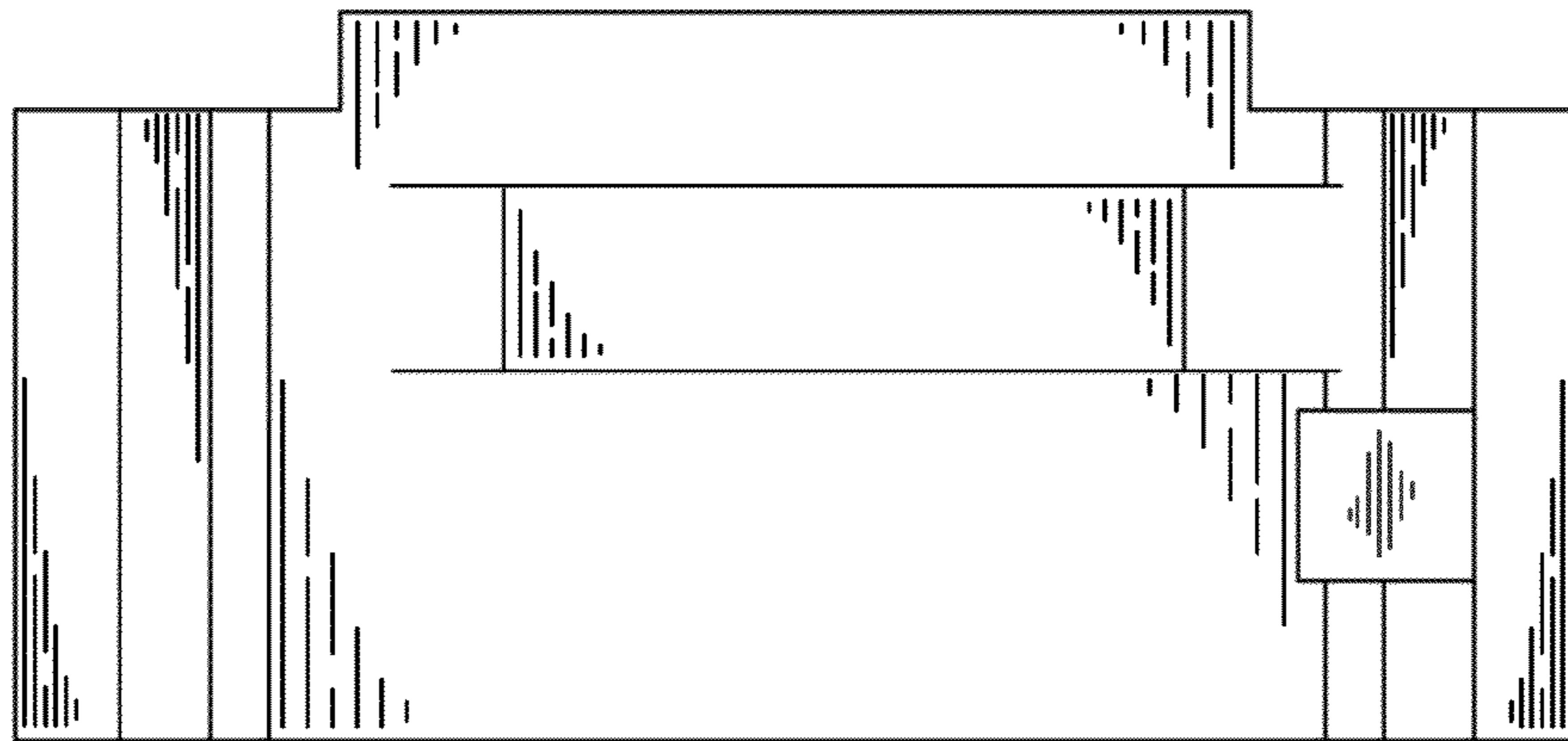




FIG. 5

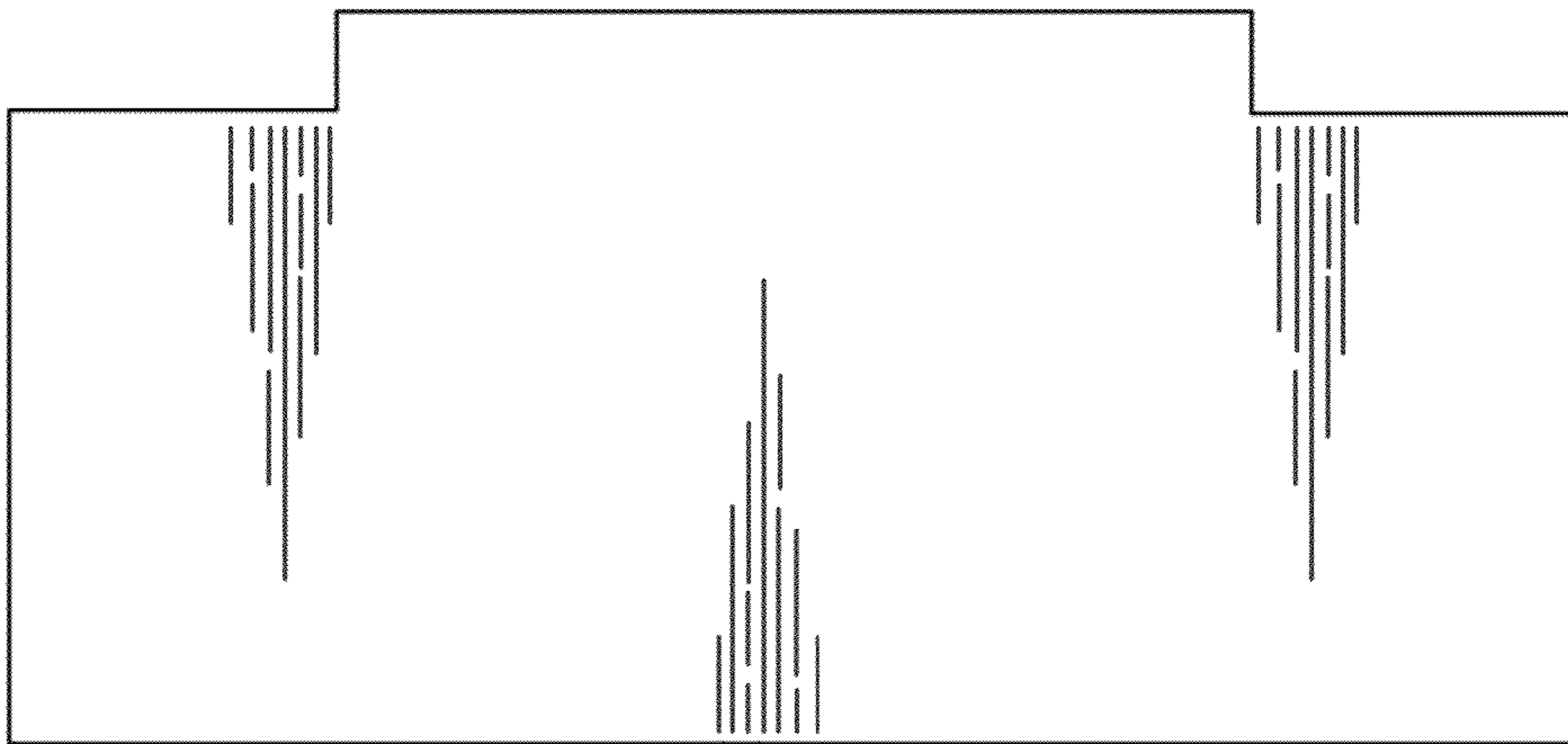


FIG. 6

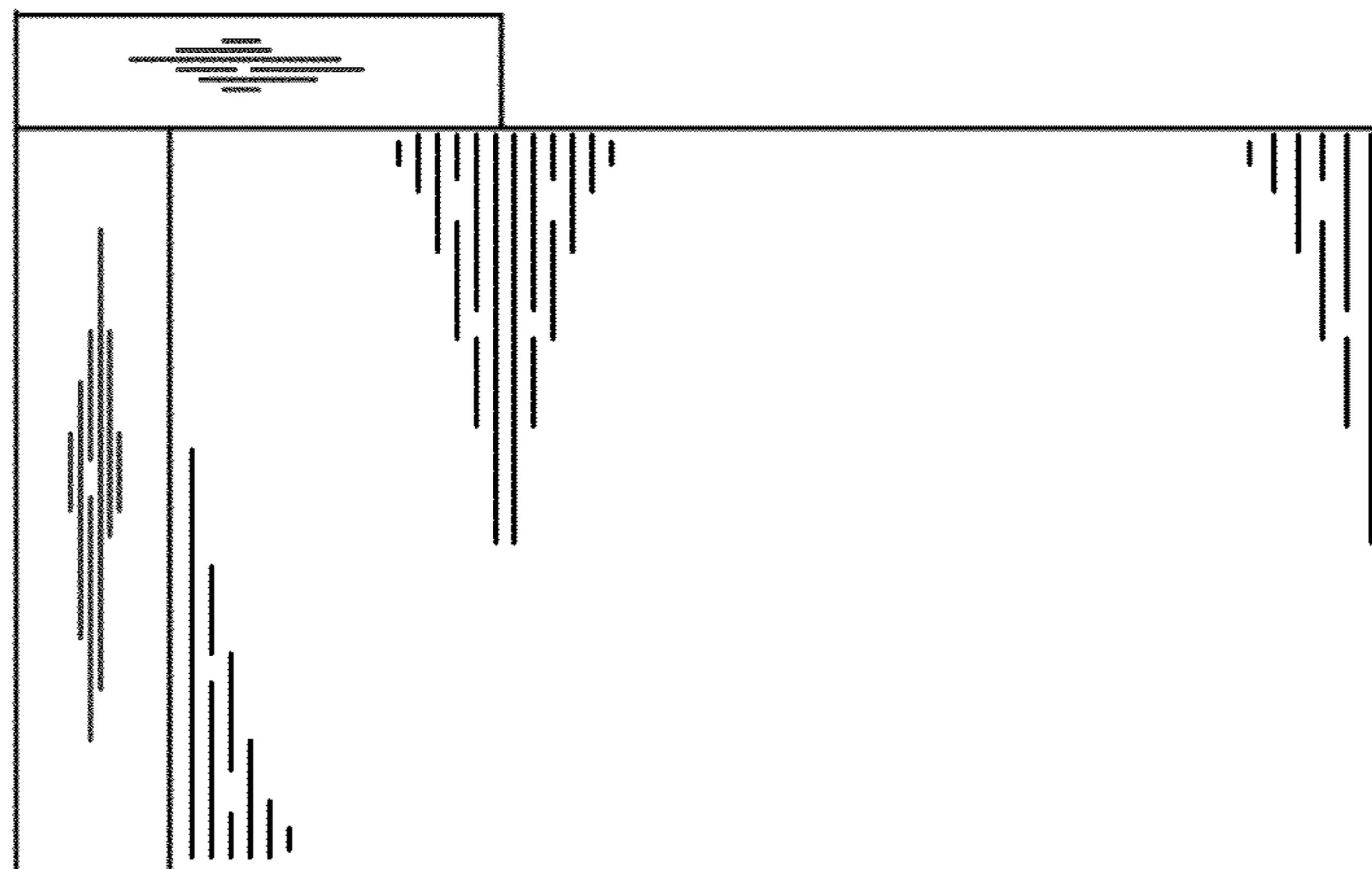


FIG. 7

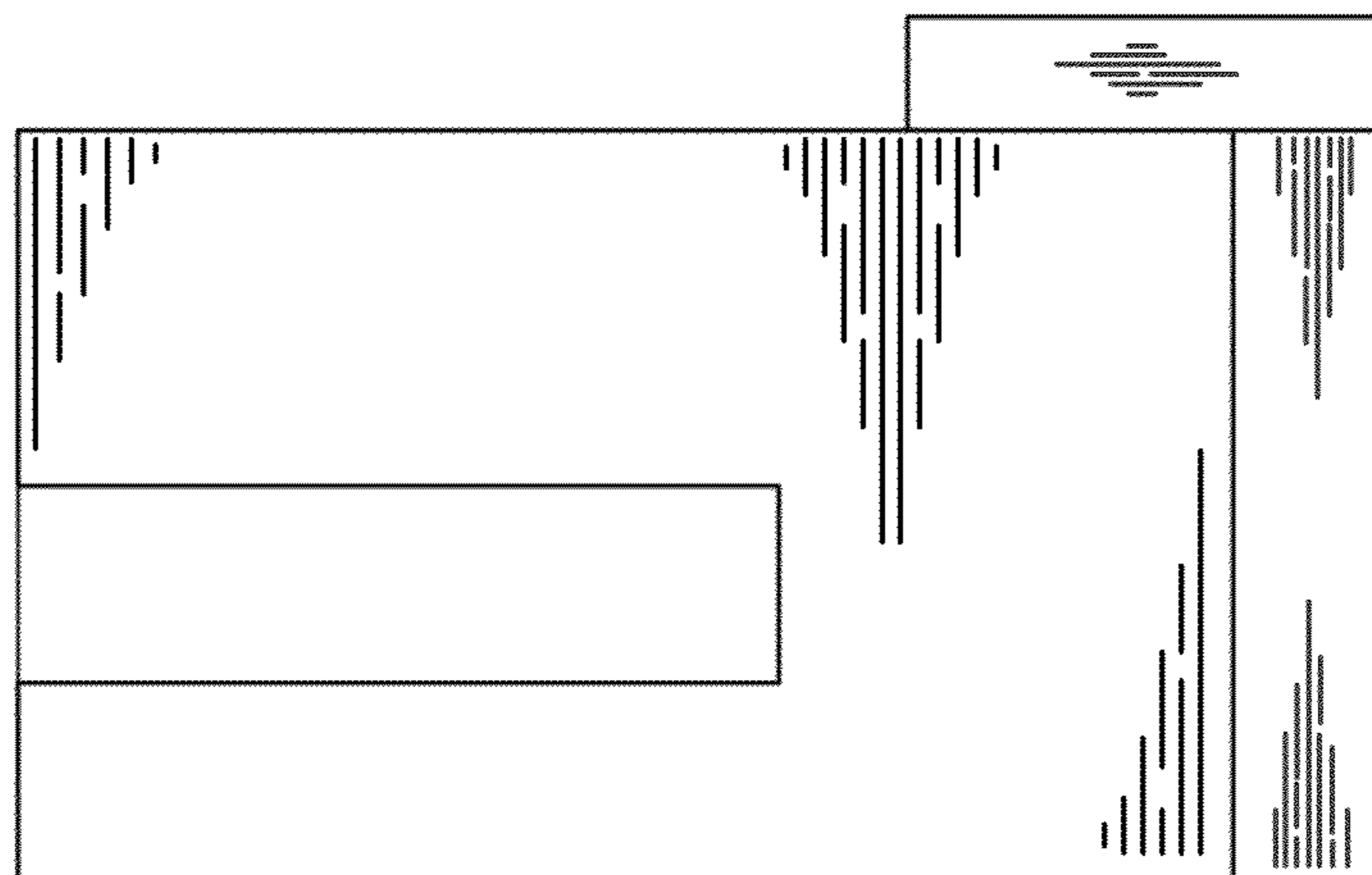




FIG. 8

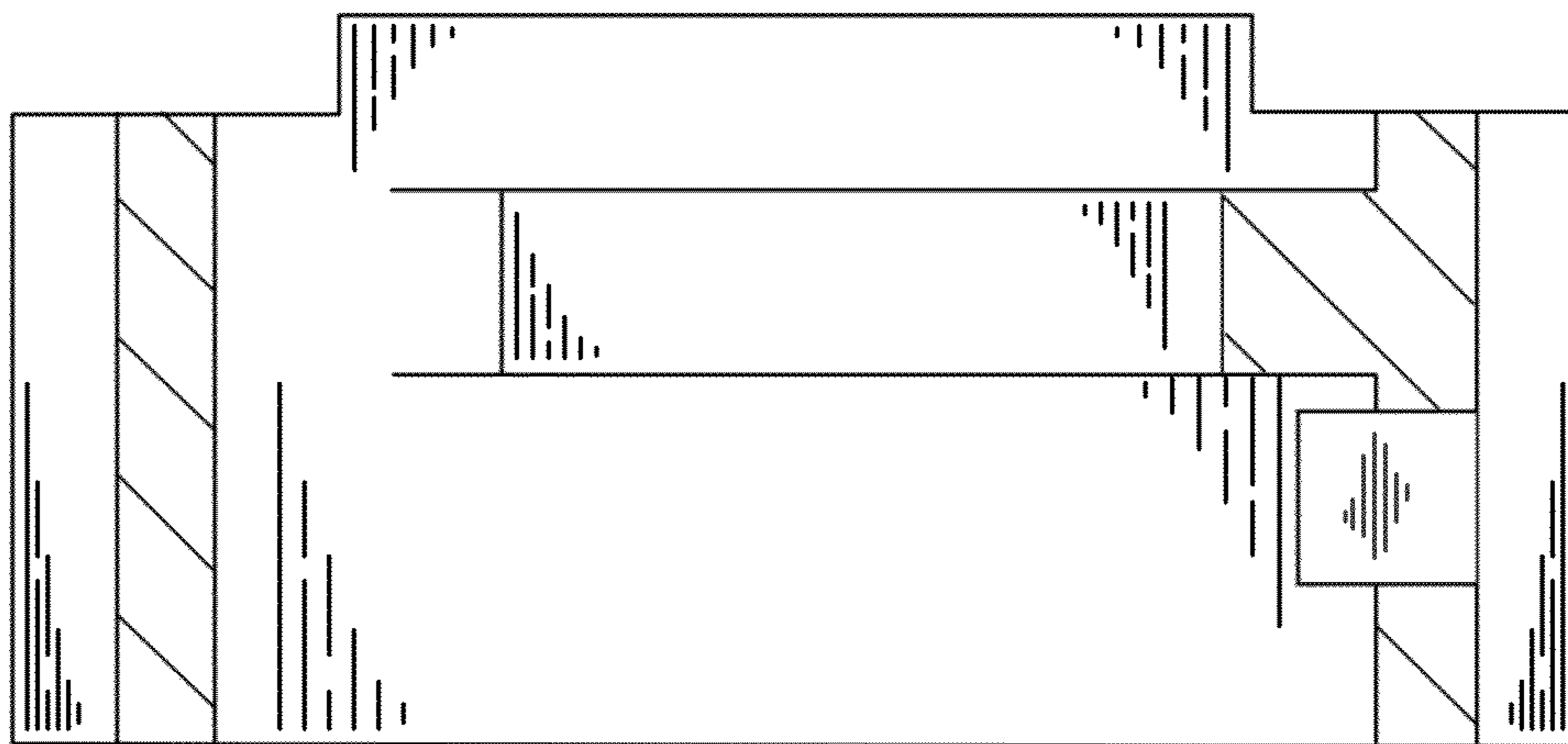


FIG. 9

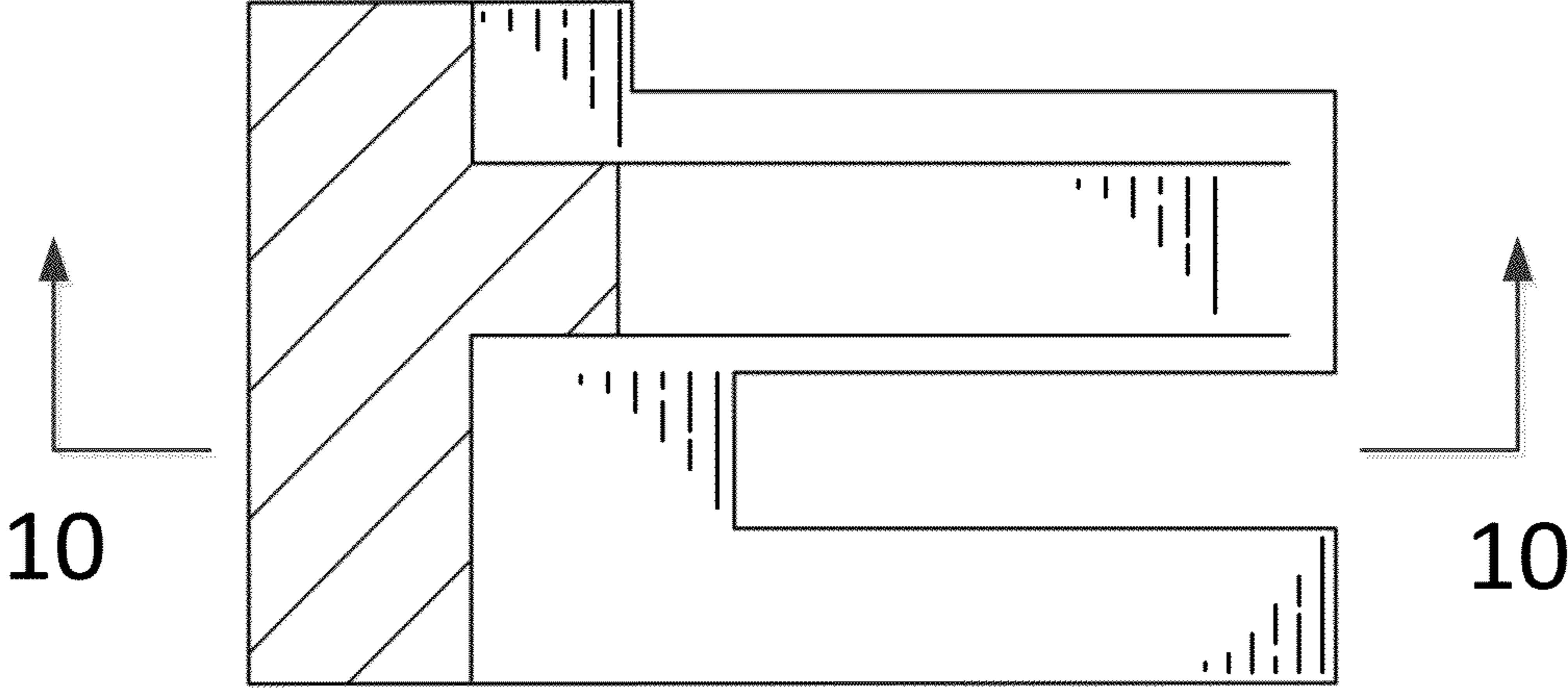


FIG. 10

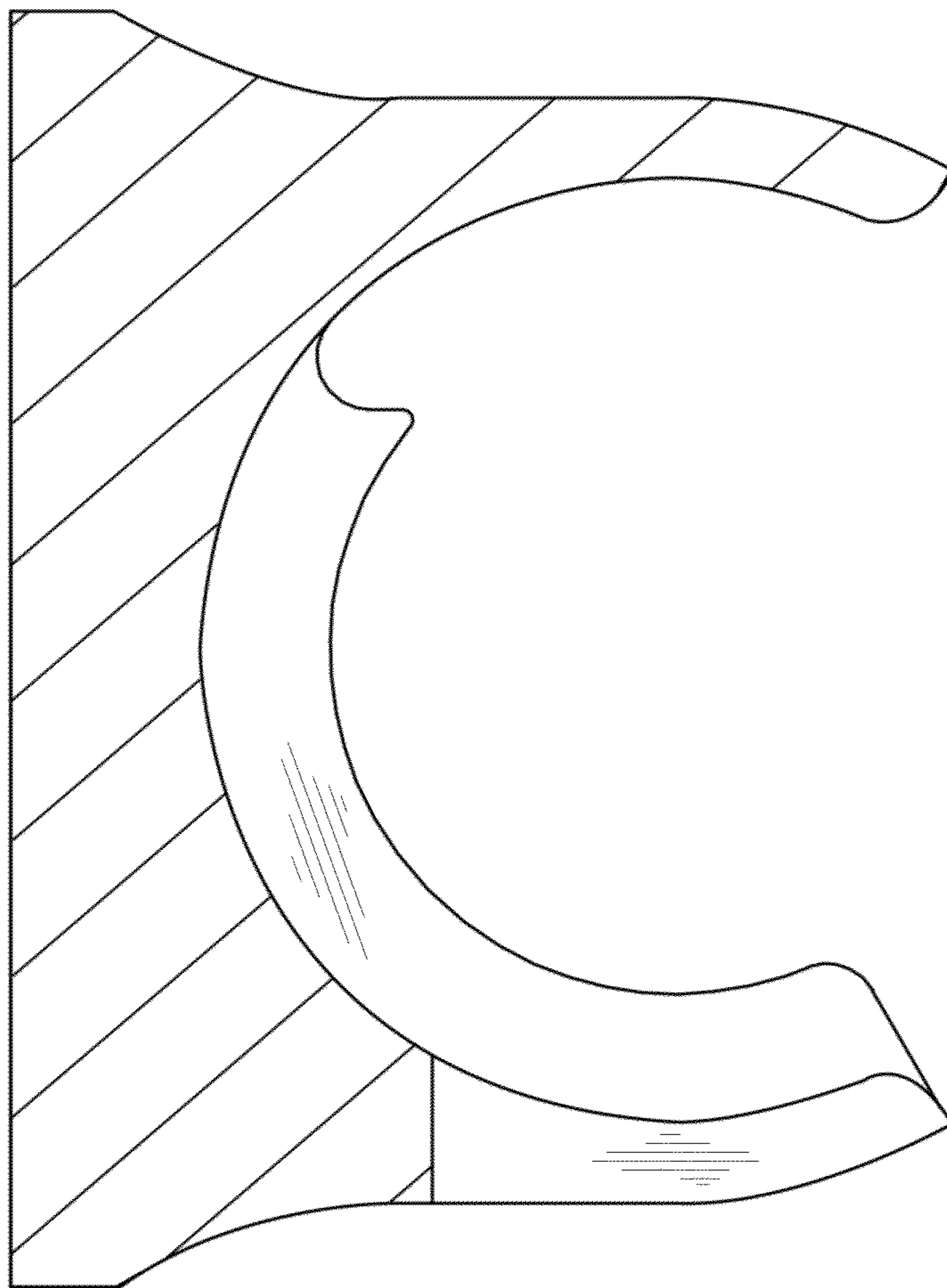


FIG. 11

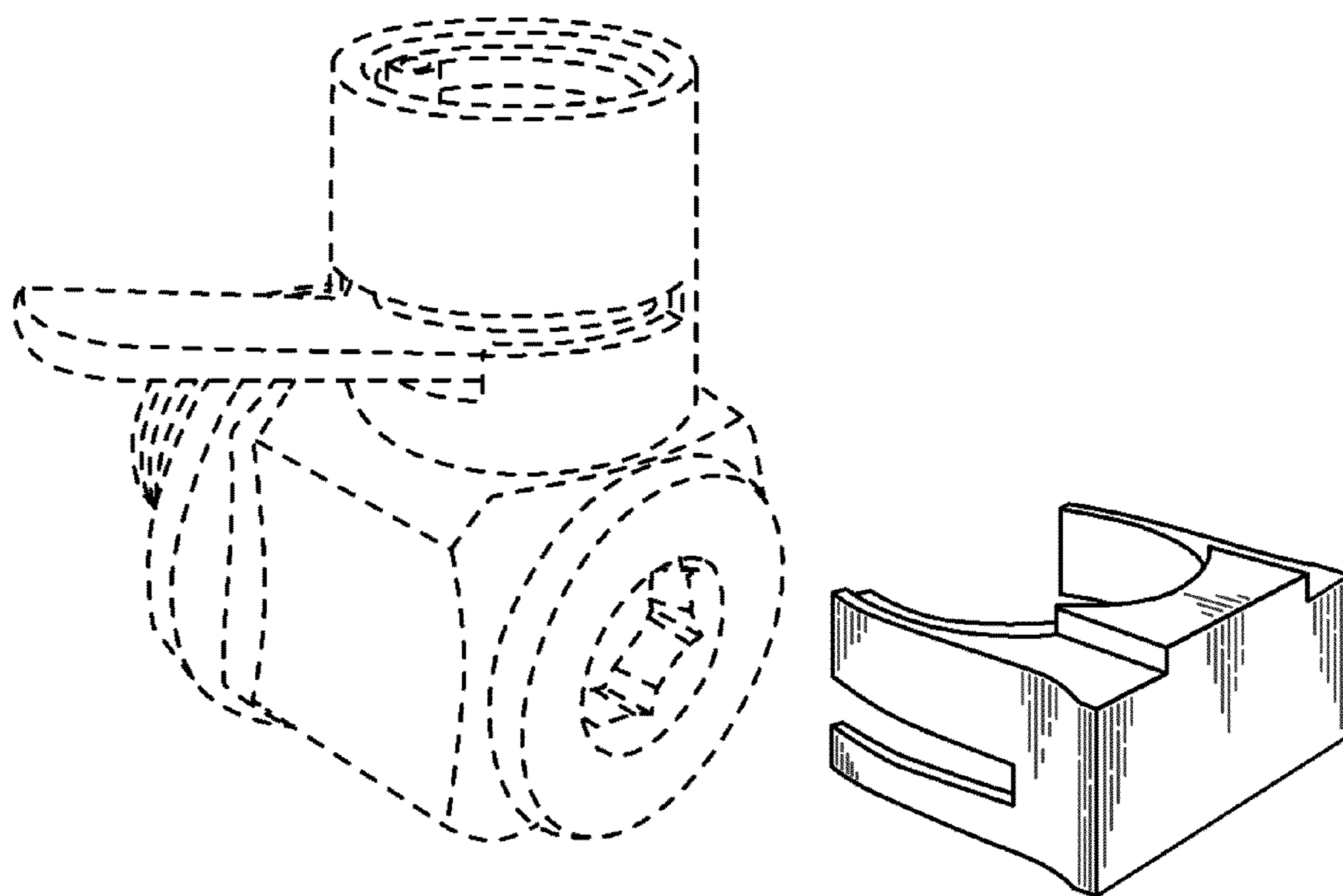


FIG. 12

