



US00D730488S

(12) **United States Design Patent**  
**Harwanko**

(10) **Patent No.:** **US D730,488 S**

(45) **Date of Patent:** **\*\* \*May 26, 2015**

(54) **SHOWERHEAD**

(71) Applicant: **Speakman Company**, New Castle, DE (US)

(72) Inventor: **Jeffrey B. Harwanko**, Wilmington, DE (US)

(73) Assignee: **Speakman Company**, New Castle, DE (US)

(\* ) Notice: This patent is subject to a terminal disclaimer.

(\*\*) Term: **14 Years**

(21) Appl. No.: **29/498,546**

(22) Filed: **Aug. 5, 2014**

**Related U.S. Application Data**

(62) Division of application No. 29/454,948, filed on May 15, 2013, now abandoned.

(51) **LOC (10) Cl.** ..... **23-01**

(52) **U.S. Cl.**  
USPC ..... **D23/229**

(58) **Field of Classification Search**  
USPC ..... D23/213, 223, 229, 230; 4/601, 615; 239/444, 282, 283, 553.5  
See application file for complete search history.

(56) **References Cited**

**U.S. PATENT DOCUMENTS**

D241,642 S 9/1976 Arpin et al.  
4,588,130 A 5/1986 Trenary et al.

D487,498 S 3/2004 Blomstrom  
8,020,788 B2 9/2011 Luetgen et al.  
D681,779 S 5/2013 Cutler et al.  
D681,781 S 5/2013 Cutler et al.

*Primary Examiner* — Robin V Webster

(74) *Attorney, Agent, or Firm* — Novak Druce Connolly Bove + Quigg LLP

(57) **CLAIM**

The ornamental design for a showerhead, as shown and described.

**DESCRIPTION**

FIG. 1 is a perspective view of a showerhead showing the invention including an opaque outer ring and an opaque faceplate, having a clockwise and arcuate swirl element.

FIG. 2 is a front elevational view of the showerhead of FIG. 1. FIG. 3 is a right side elevational view of the showerhead of FIG. 1.

FIG. 4 is a left side elevational view of the showerhead of FIG. 1.

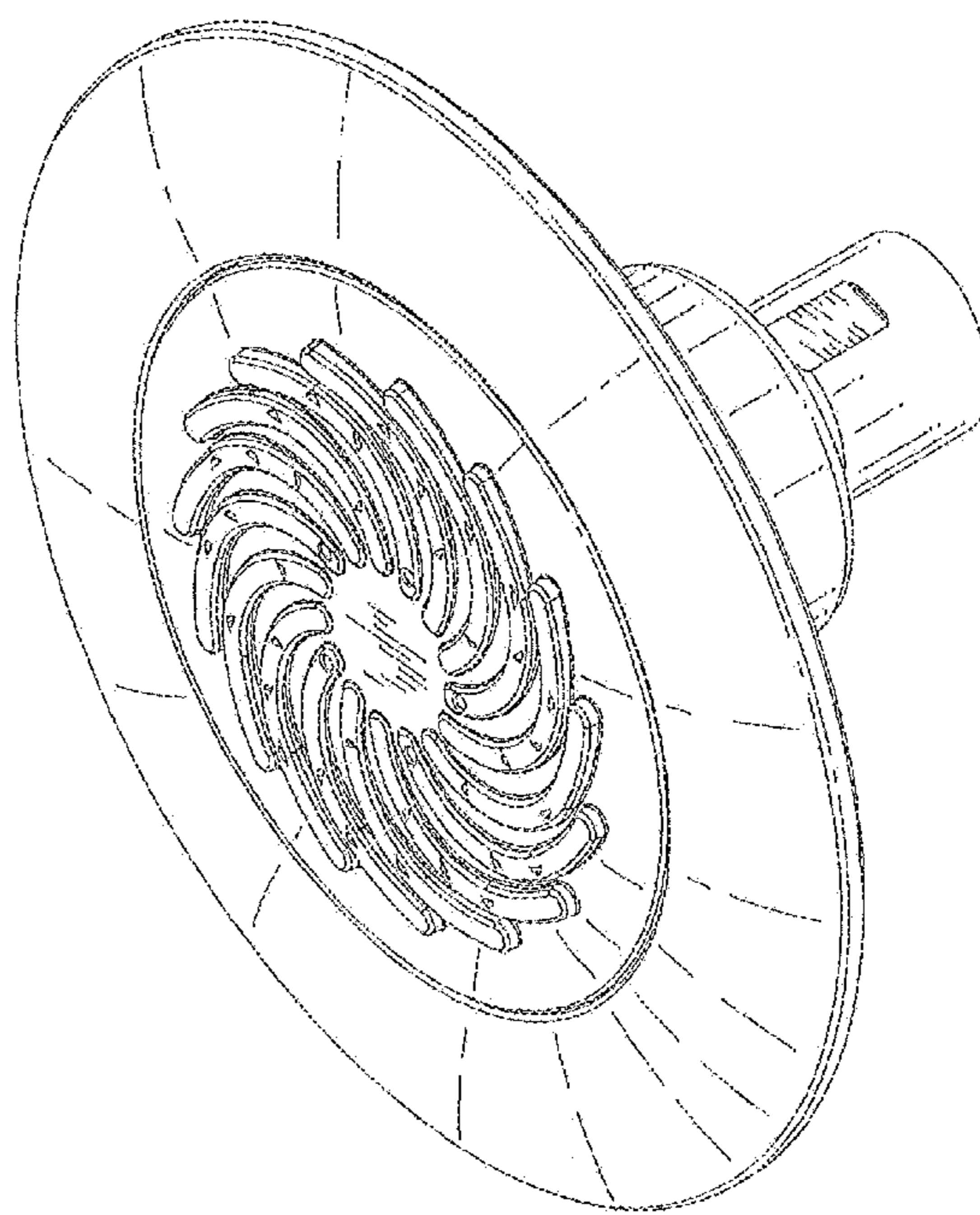
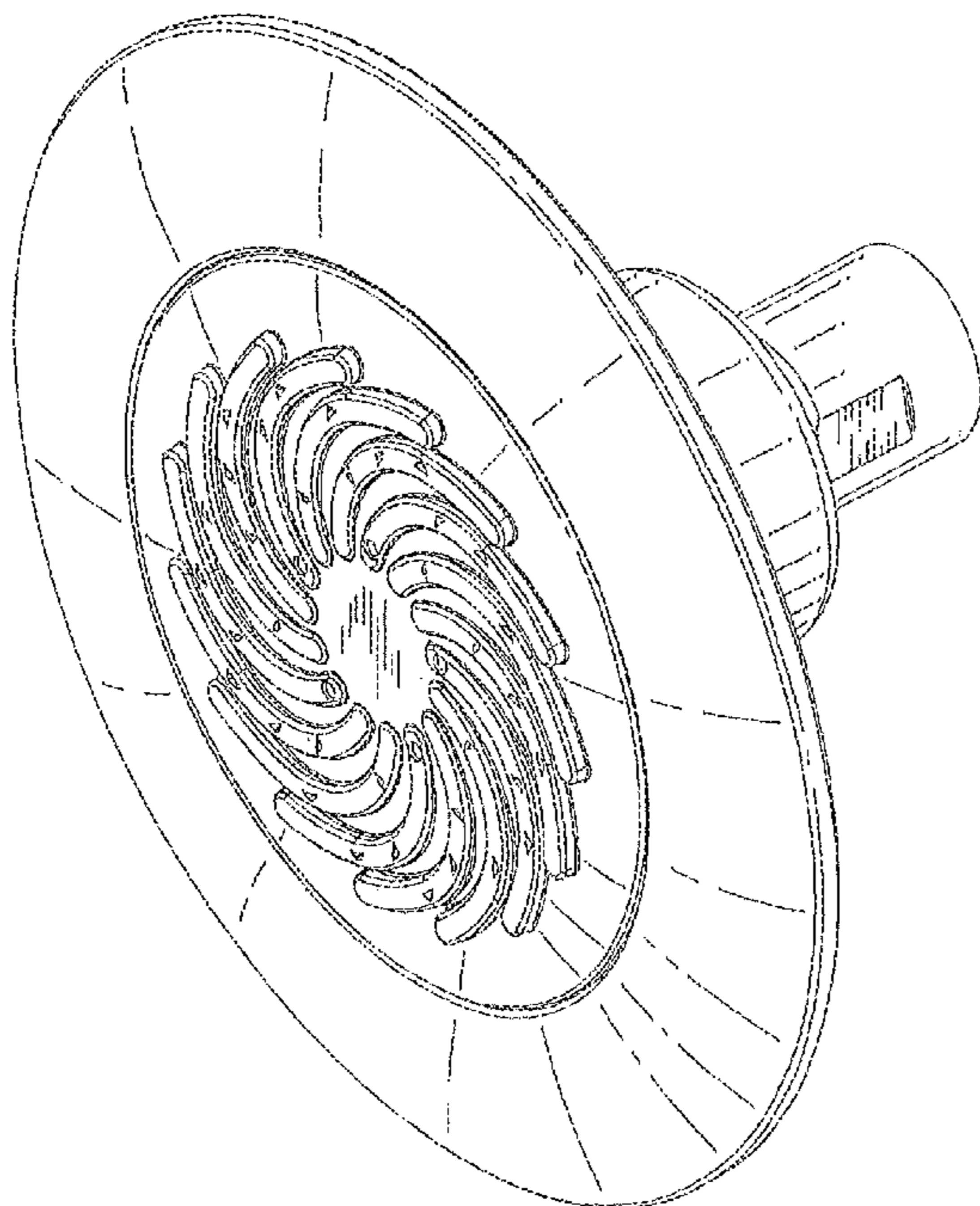
FIG. 5 is another elevational view of the showerhead of FIG. 1.

FIG. 6 is another elevational view of the showerhead of FIG. 1.

FIG. 7 is a rear elevational view of the showerhead of FIG. 1; and,

FIG. 8 is a perspective view of another embodiment of the showerhead, including an opaque outer ring and an opaque faceplate with a counterclockwise and arcuate swirl element. The triangular shaped spray apertures and the circular shaped impressions on the arcuate swirl elements of the faceplates are hereby disclaimed.

**1 Claim, 8 Drawing Sheets**



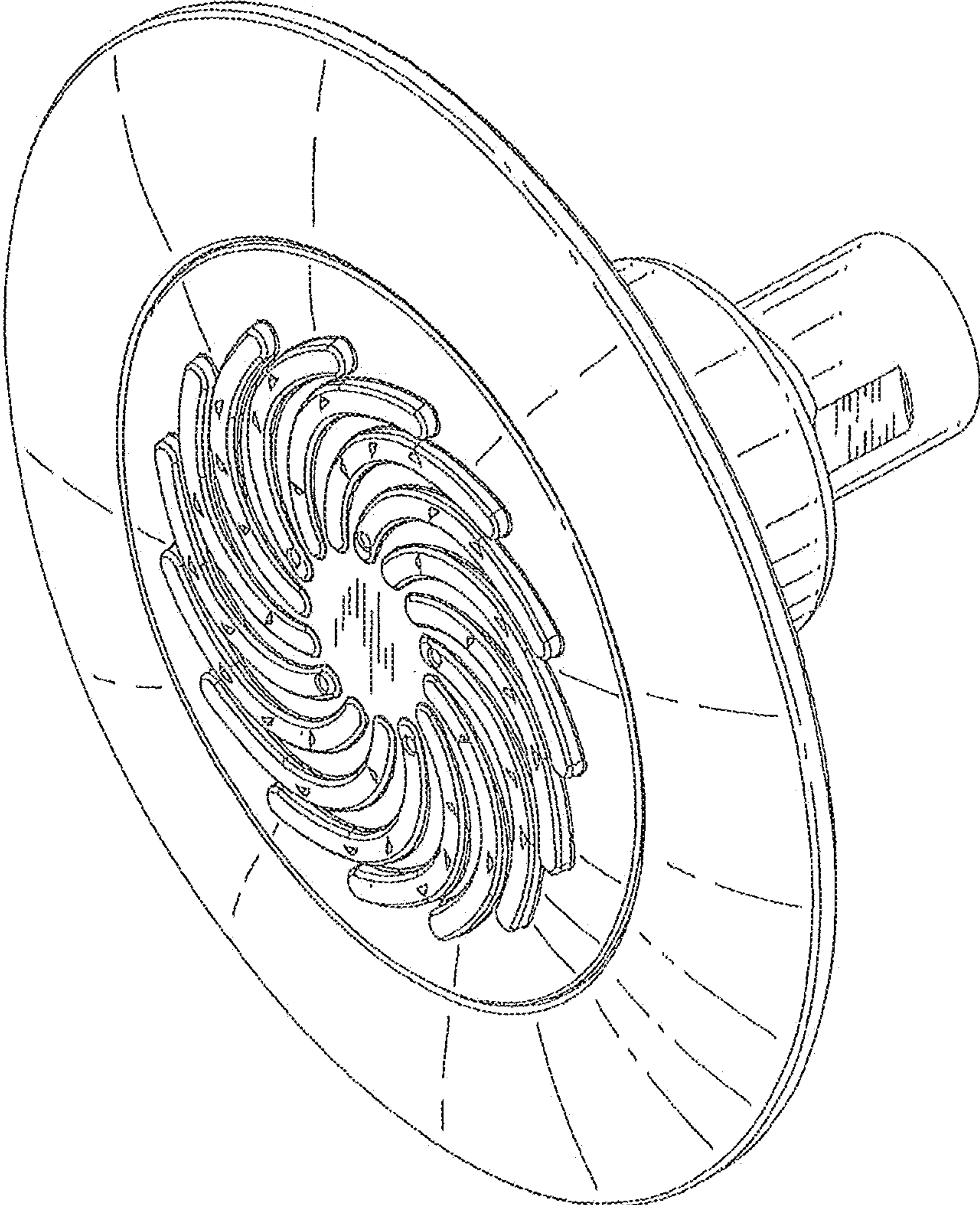


FIG. 1

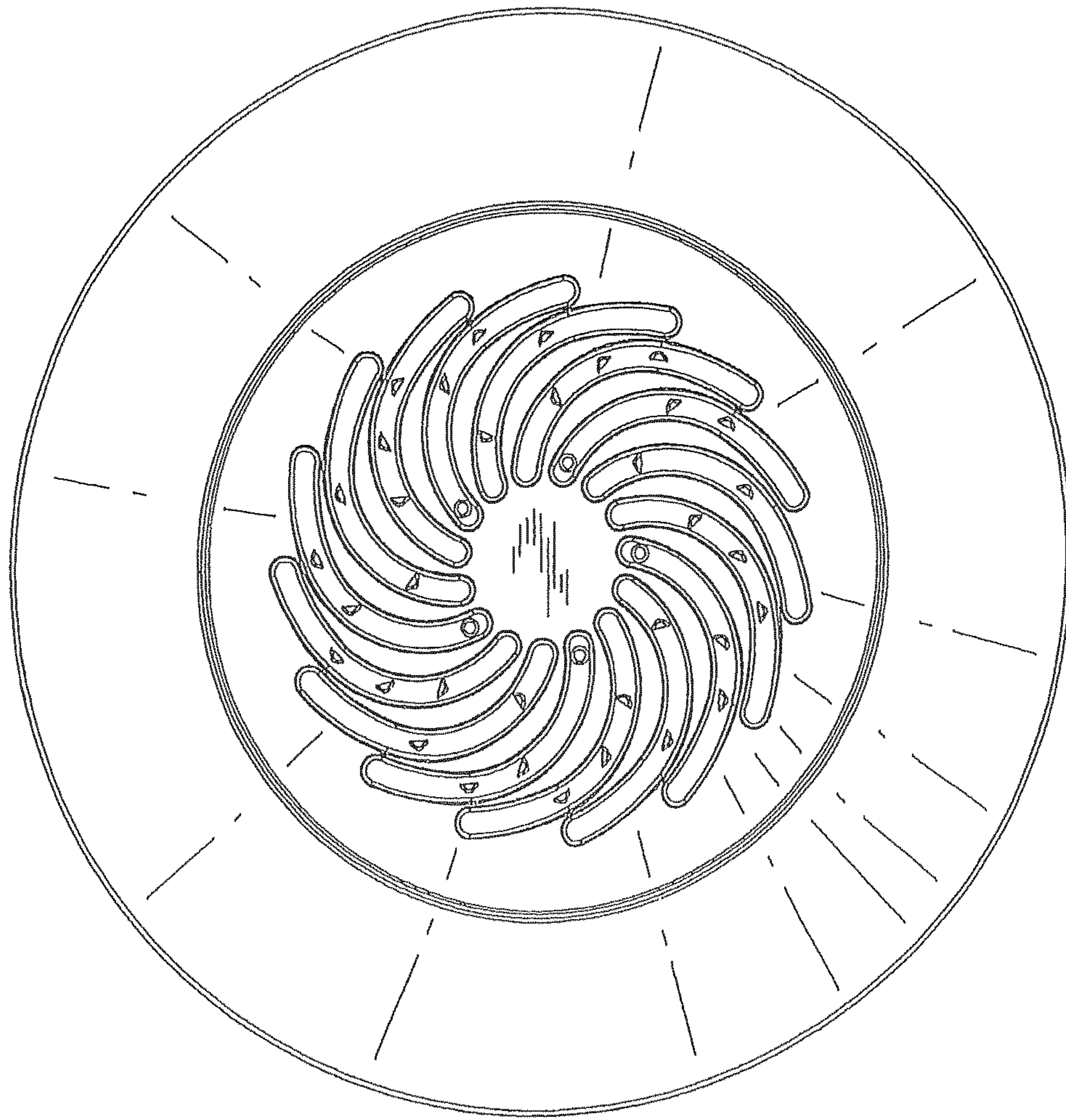


FIG. 2

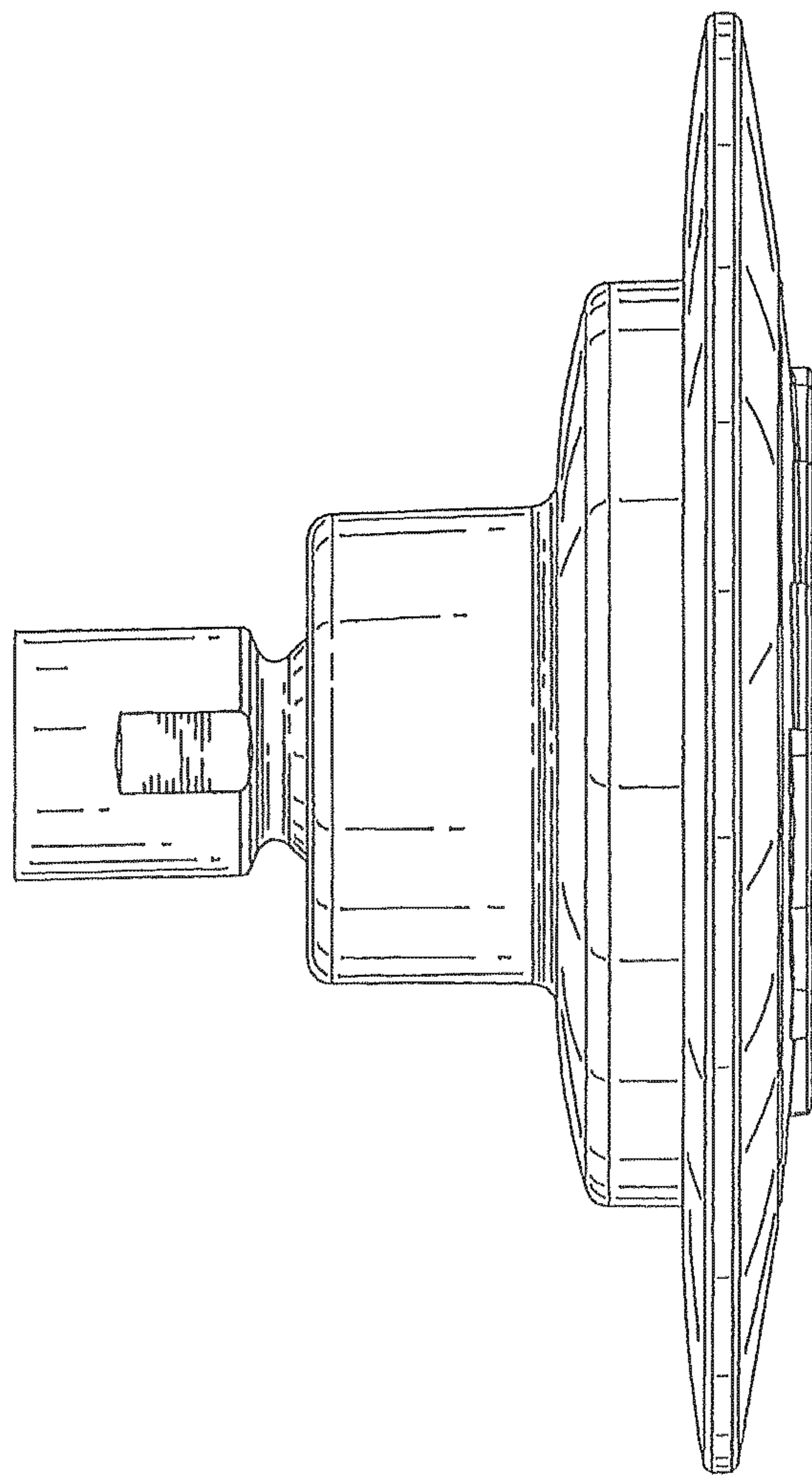


FIG. 3

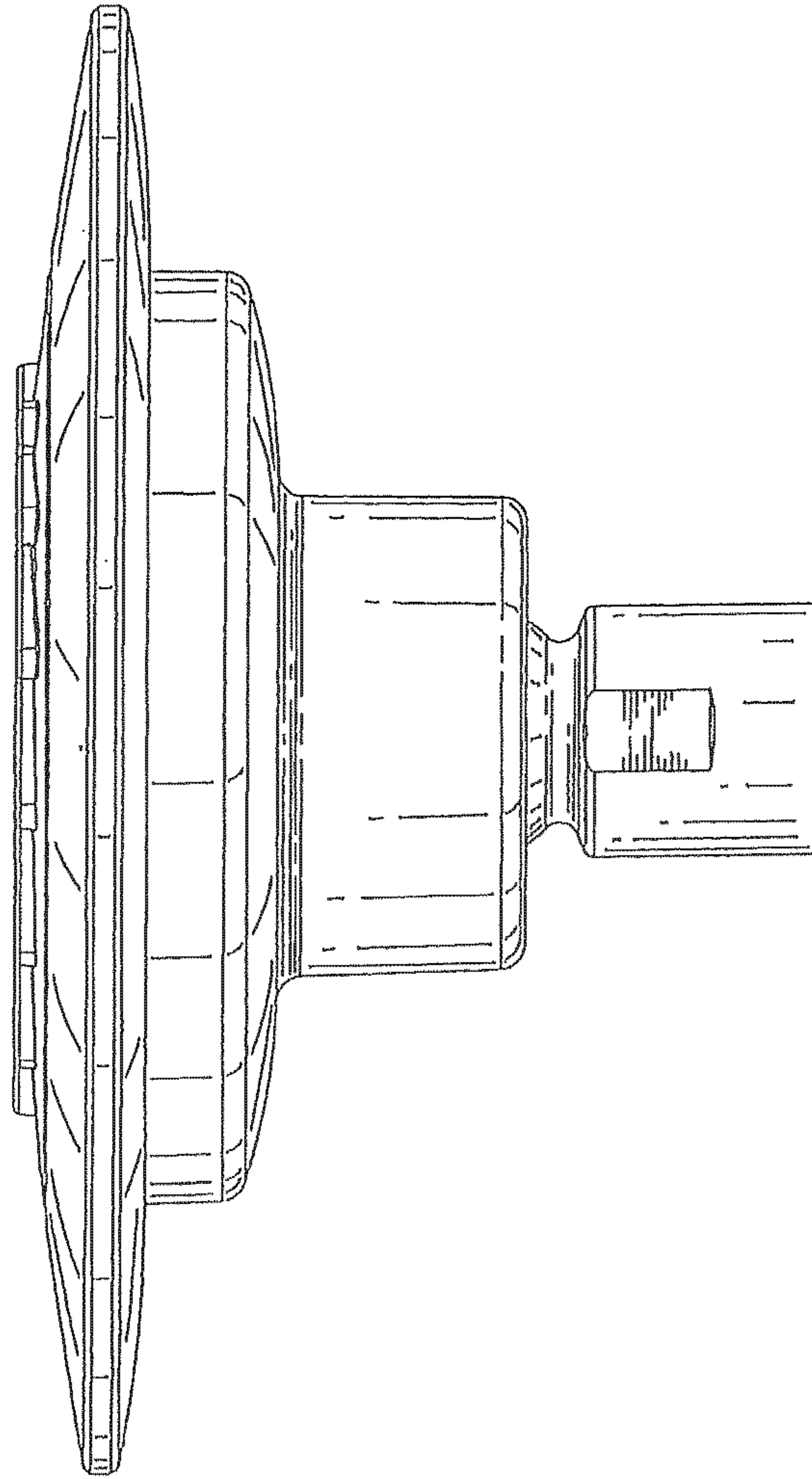


FIG. 4

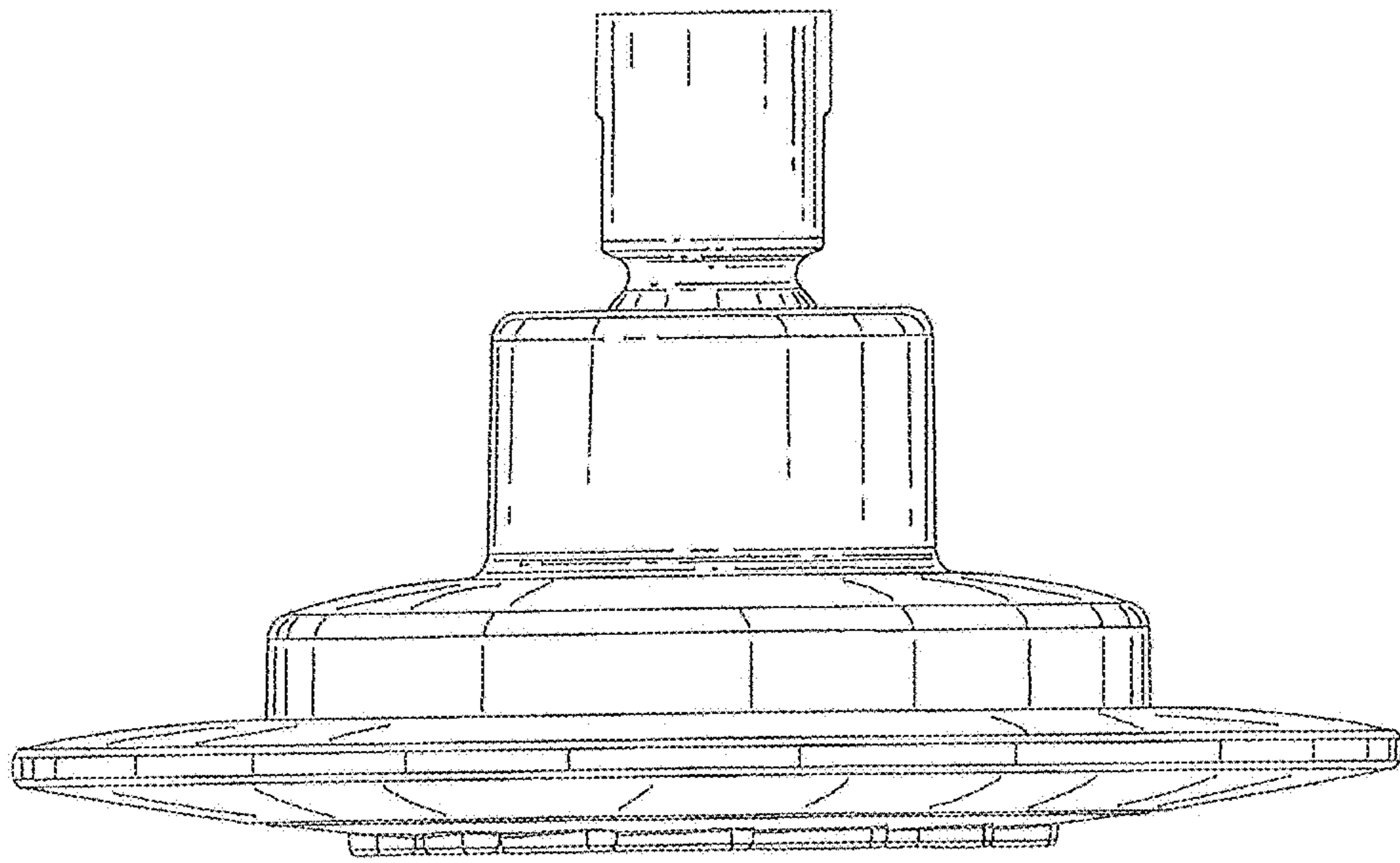


FIG. 5

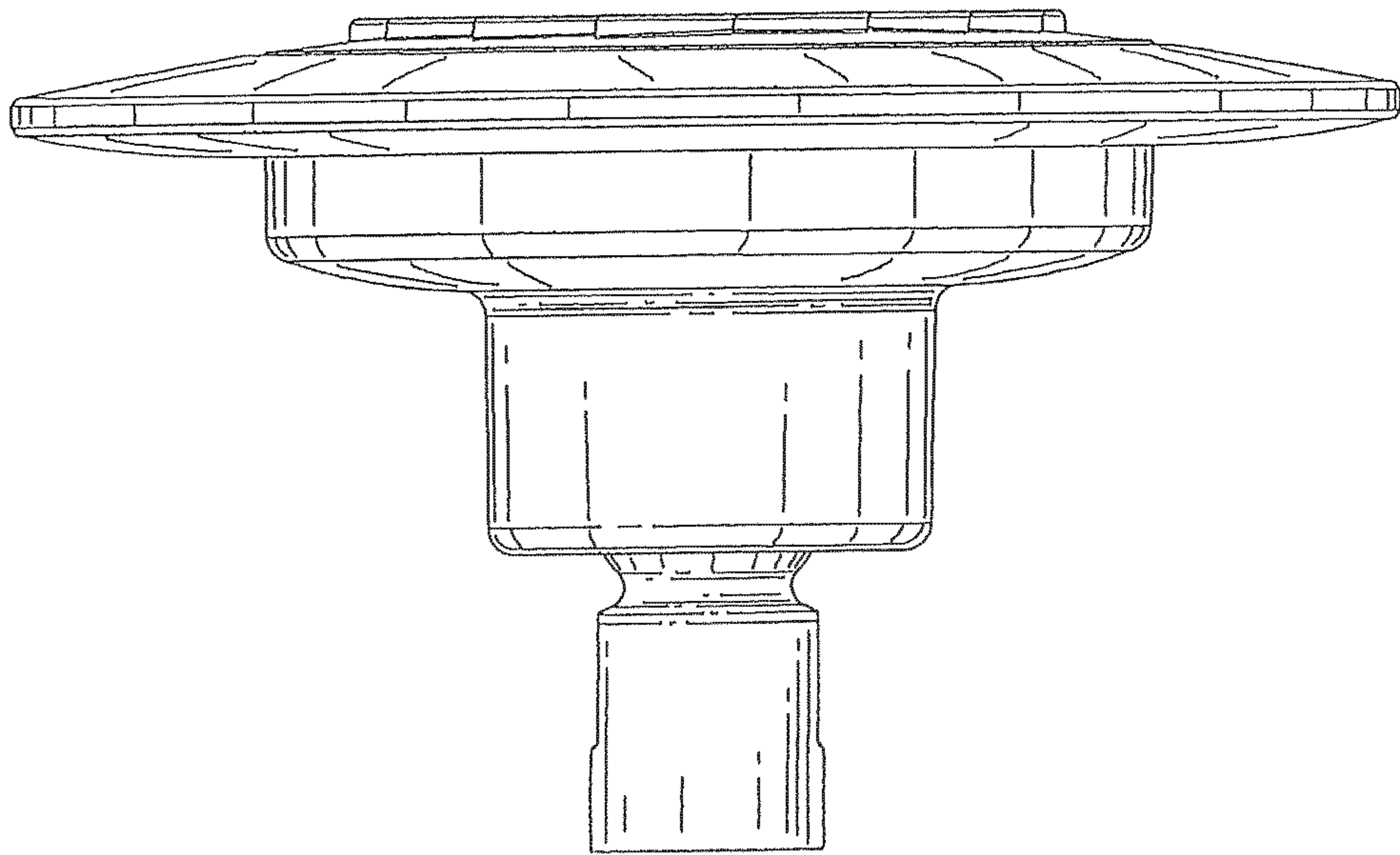


FIG. 6

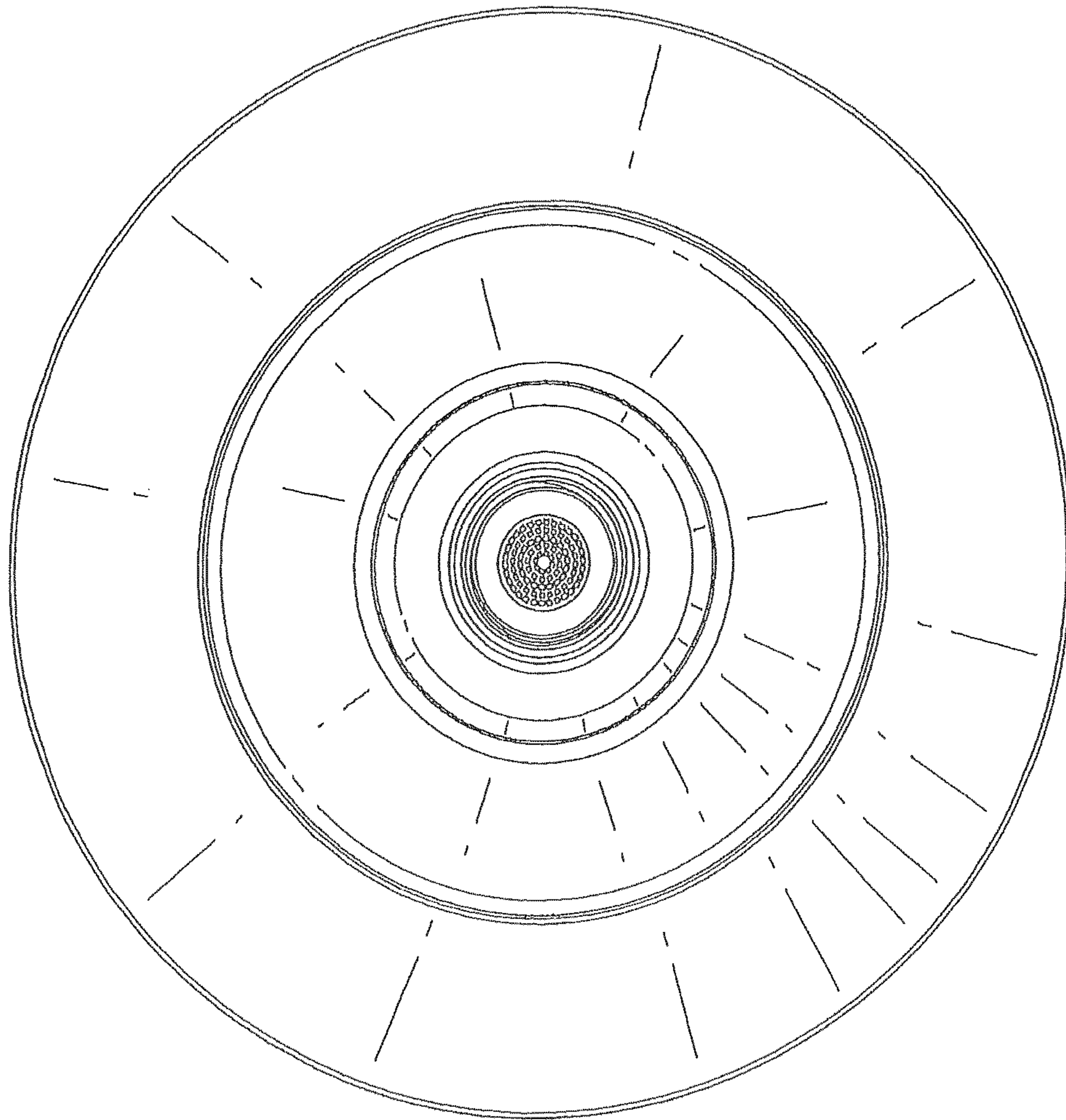


FIG. 7



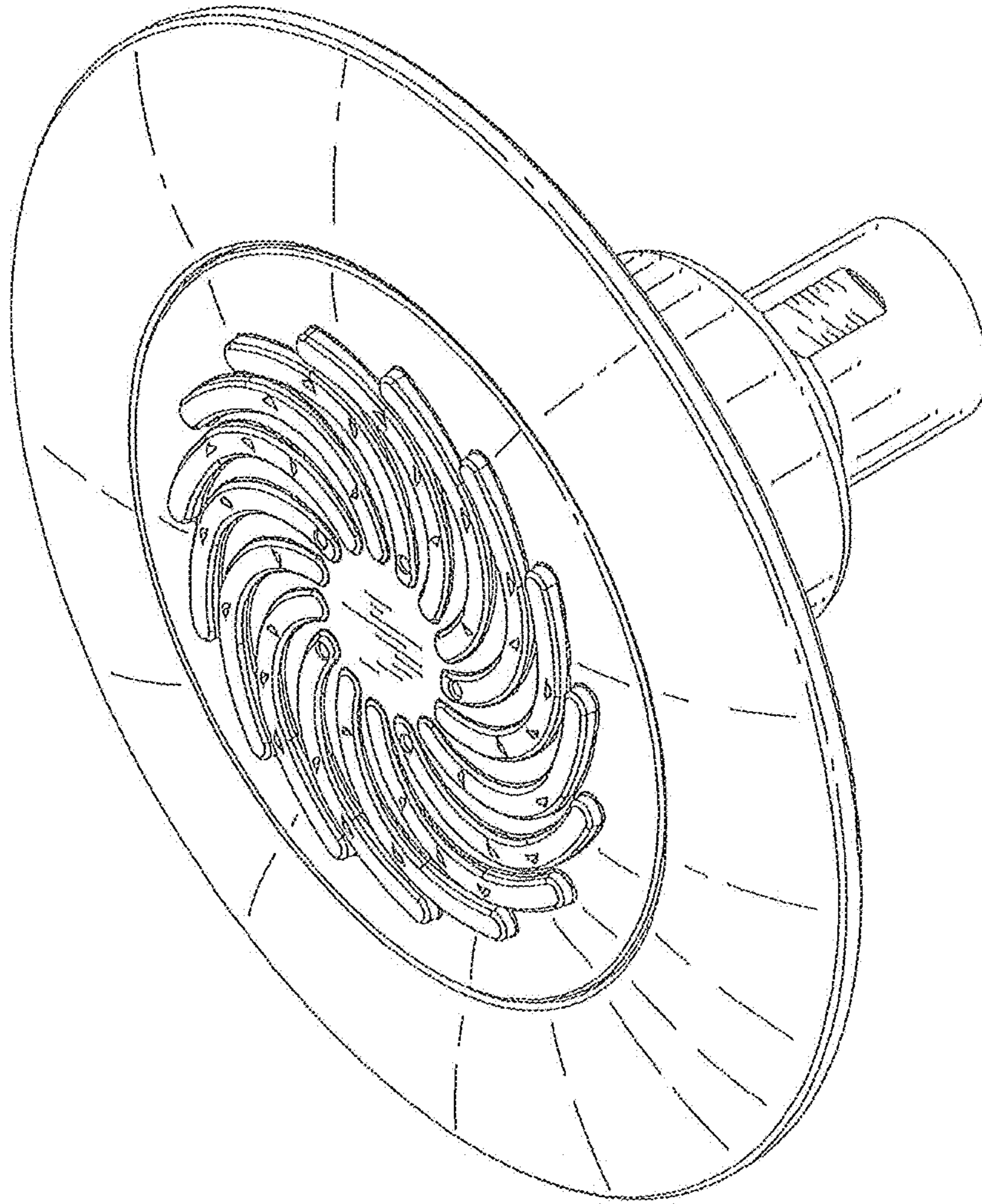


FIG. 8