



US00D730487S

(12) **United States Design Patent**
Bergstrom

(10) **Patent No.:** **US D730,487 S**

(45) **Date of Patent:** **** May 26, 2015**

(54) **TELESCOPIC FIXTURE WITH ATTACHMENT**

(71) Applicant: **CERLIC CONTROLS AB**, Kungens Kurva (SE)

(72) Inventor: **Per Hakan Bergstrom**, Kungens Kurva (SE)

(73) Assignee: **Cerlic Controls AB**, Kungens Kurva (SE)

(**) Term: **14 Years**

(21) Appl. No.: **29/468,219**

(22) Filed: **Sep. 27, 2013**

(30) **Foreign Application Priority Data**

Apr. 15, 2013 (EM) 2220095-0001
Apr. 15, 2013 (EM) 2220095-0002

(51) **LOC (10) Cl.** **23-01**

(52) **U.S. Cl.**
USPC **D23/213**

(58) **Field of Classification Search**
USPC D23/213, 223, 226, 209; 239/525, 526, 239/280.5, 281
See application file for complete search history.

(56) **References Cited**

U.S. PATENT DOCUMENTS

3,536,263 A * 10/1970 Parker 239/556
D310,405 S * 9/1990 Proctor et al. D23/226
D322,341 S * 12/1991 Zito D32/32
D357,097 S * 4/1995 Lee D32/45
D362,935 S * 10/1995 Lee D32/35
D463,843 S * 10/2002 Howell D23/213
6,832,734 B2 * 12/2004 Rafferty et al. 239/280

D514,662 S * 2/2006 Zielke et al. D23/213
D617,416 S * 6/2010 Chen D23/223
D638,911 S * 5/2011 Laski D23/213
D684,662 S * 6/2013 Cordani D23/223

* cited by examiner

Primary Examiner — Robin V Webster

(74) *Attorney, Agent, or Firm* — Davis & Bujold, P.L.L.C.;
Michael J. Bujold

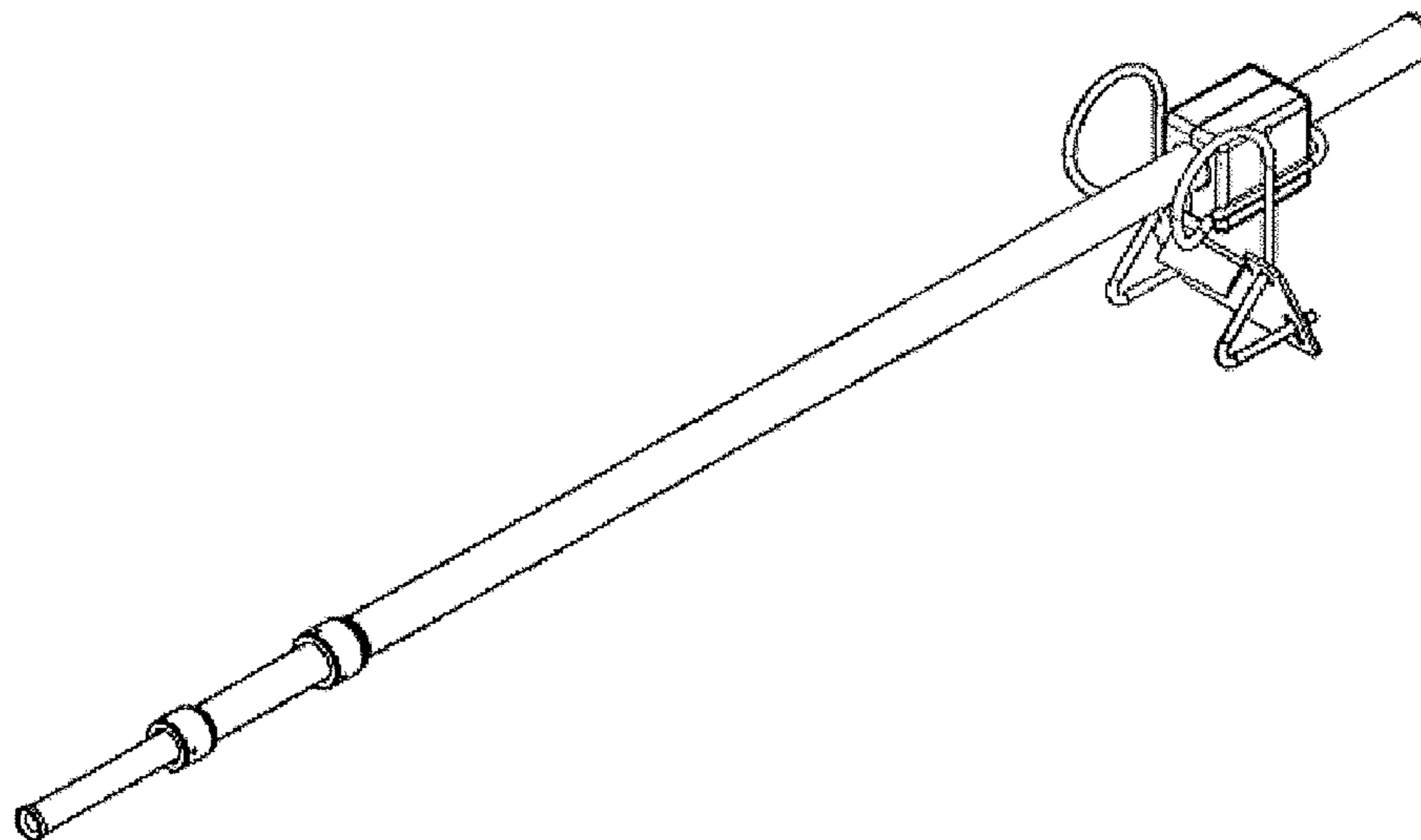
(57) **CLAIM**

I claim the ornamental design for a telescopic fixture with attachment, as shown.

DESCRIPTION

FIG. 1 is a top plan view showing my new design;
FIG. 2 is a bottom plan view of the telescopic fixture with attachment shown in FIG. 1;
FIG. 3 is a bottom, perspective view from below and the right side of the telescopic fixture with attachment shown in FIG. 1;
FIG. 4 is a side view from the left side of the telescopic fixture with attachment shown in FIG. 1;
FIG. 5 is a perspective view from above and the right side of the telescopic fixture with attachment shown in FIG. 1;
FIG. 6 is a perspective view from below and the left side of the telescopic fixture with attachment shown in FIG. 1;
FIG. 7 is a side view from above and the right side of the telescopic fixture with attachment shown in FIG. 1;
FIG. 8 is a perspective view from above and the left side of the telescopic fixture with attachment shown in FIG. 1;
FIG. 9 is a front view of only the attachment shown in FIG. 1; and,
FIG. 10 is a rear elevational view of only the attachment shown in FIG. 1.

1 Claim, 6 Drawing Sheets



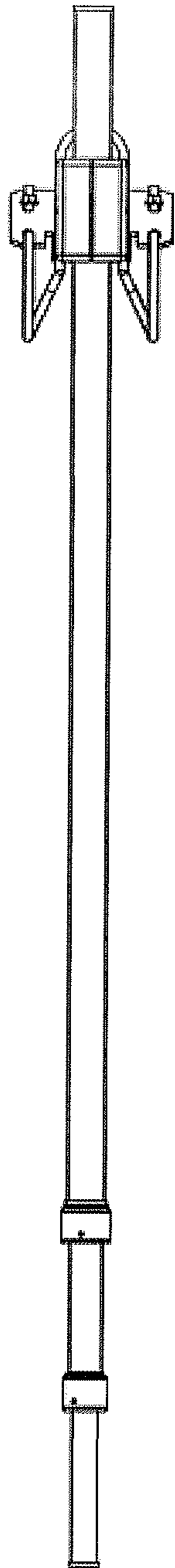


FIG 1

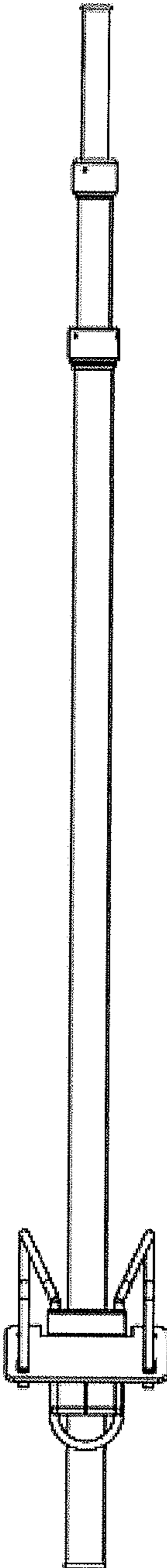


FIG 2

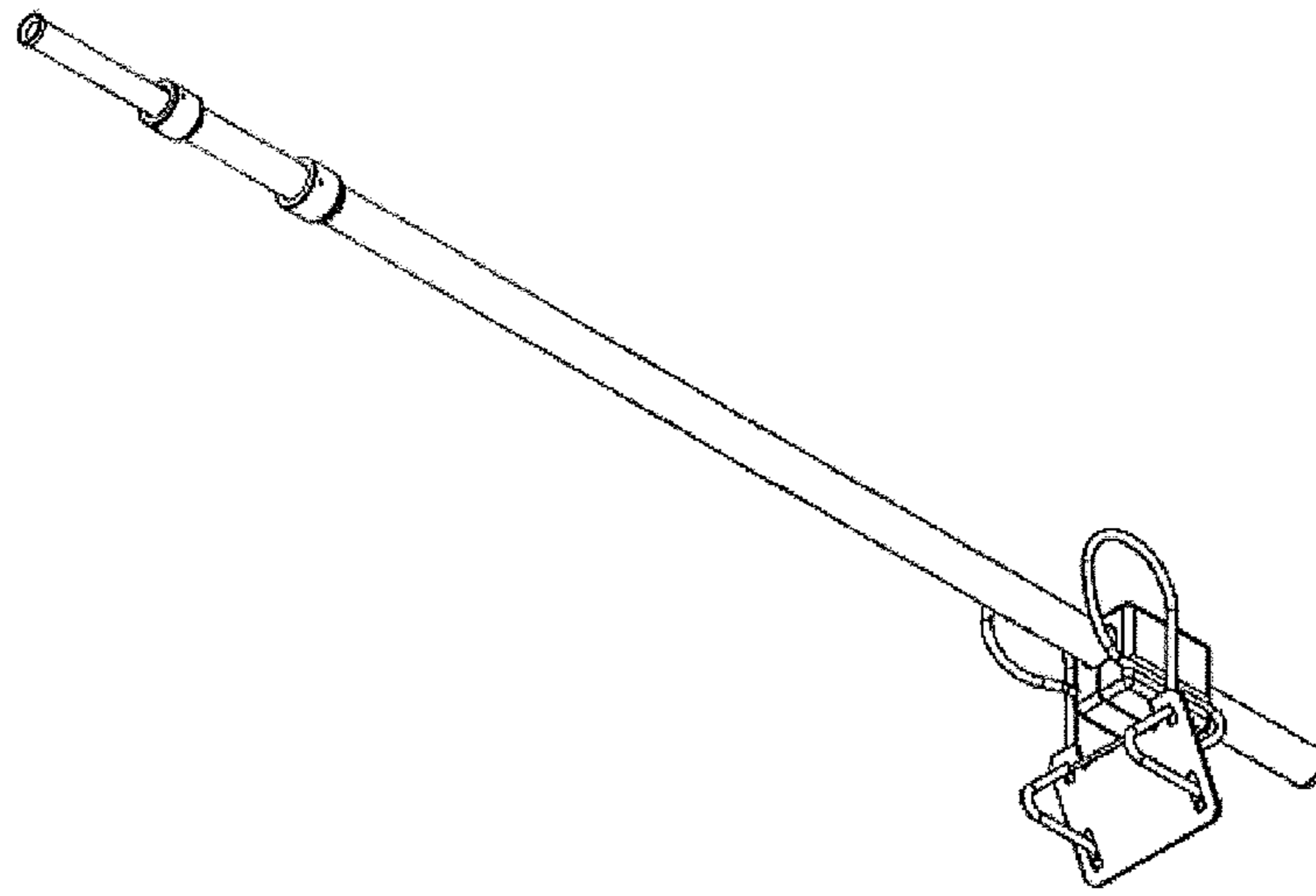


FIG 3

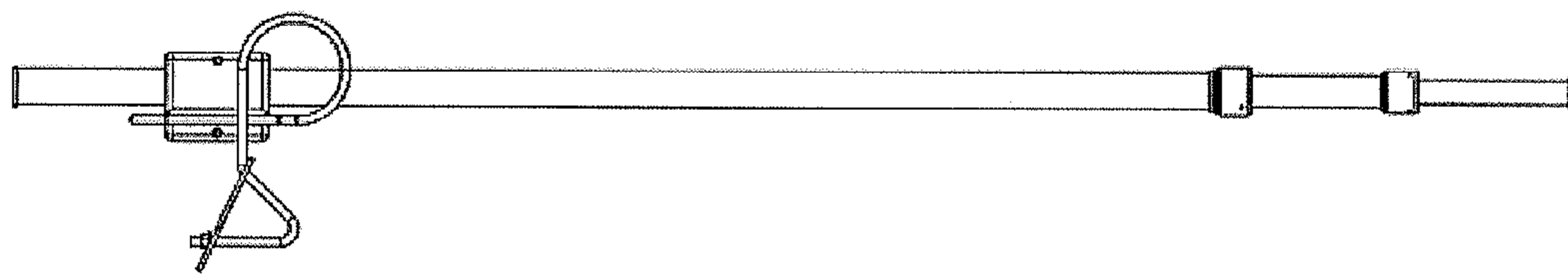


FIG 4

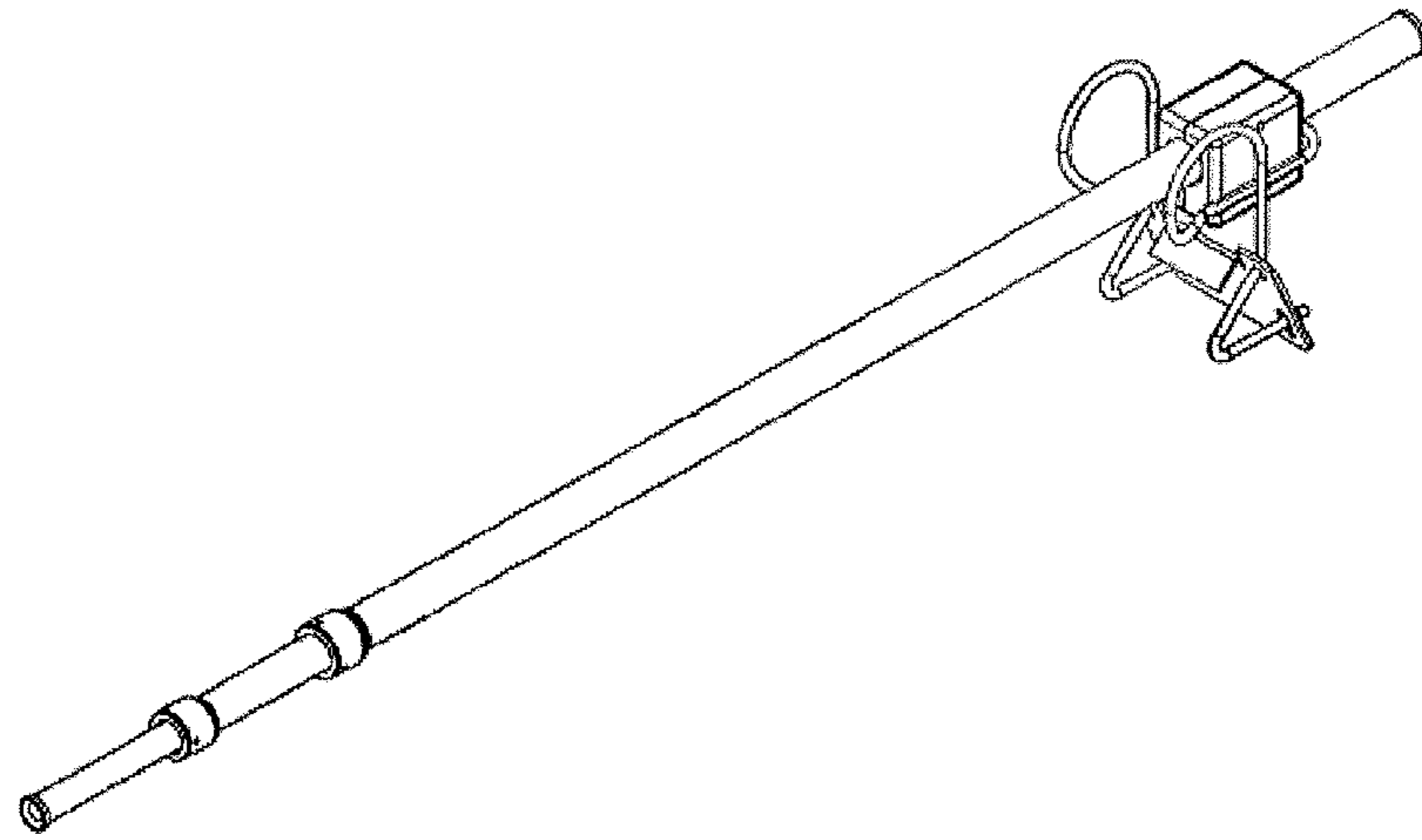


FIG 5

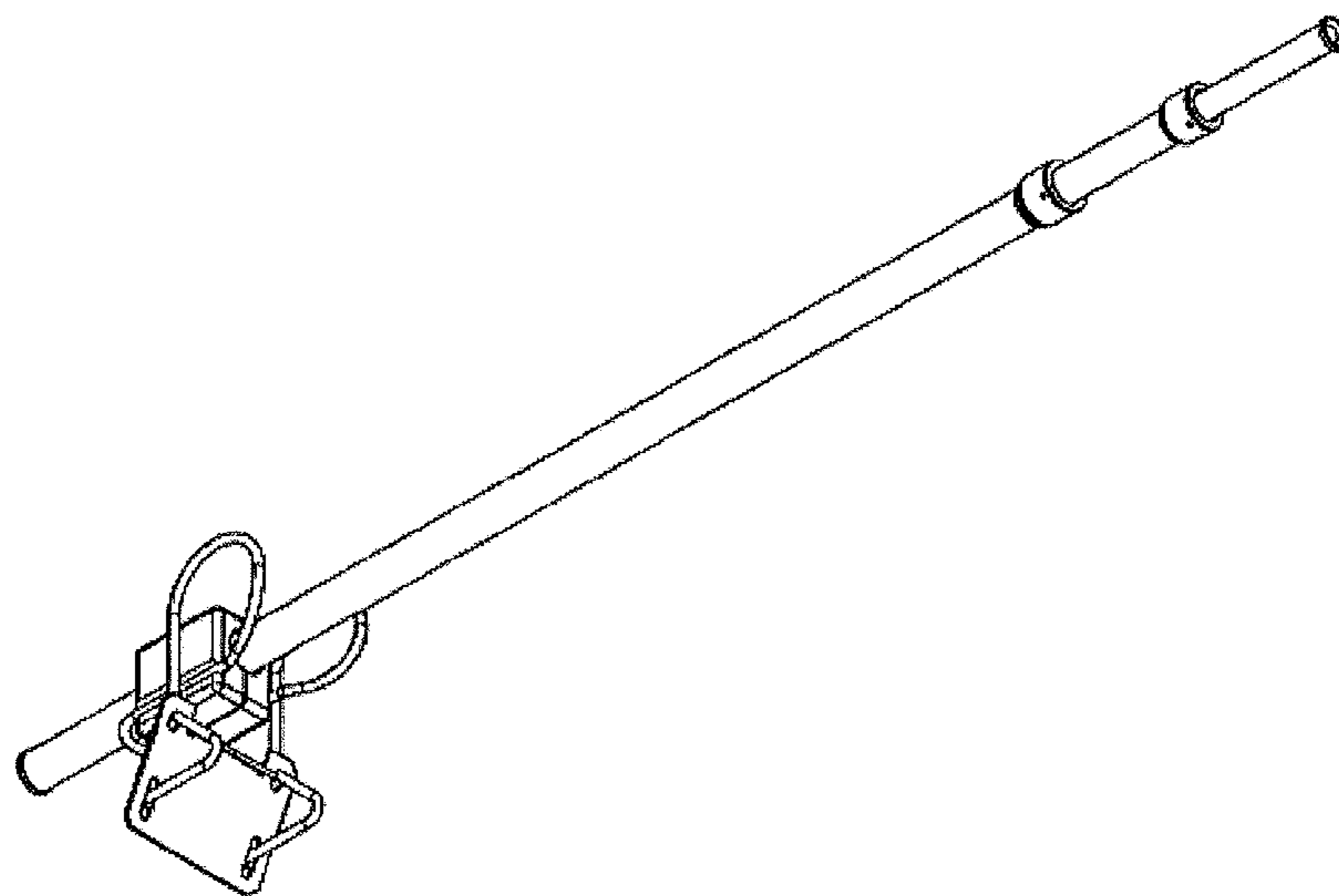


FIG 6

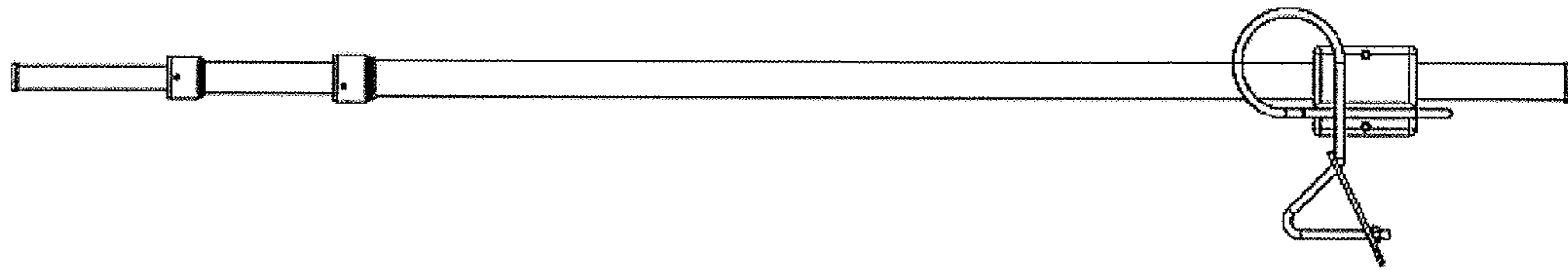


FIG 7

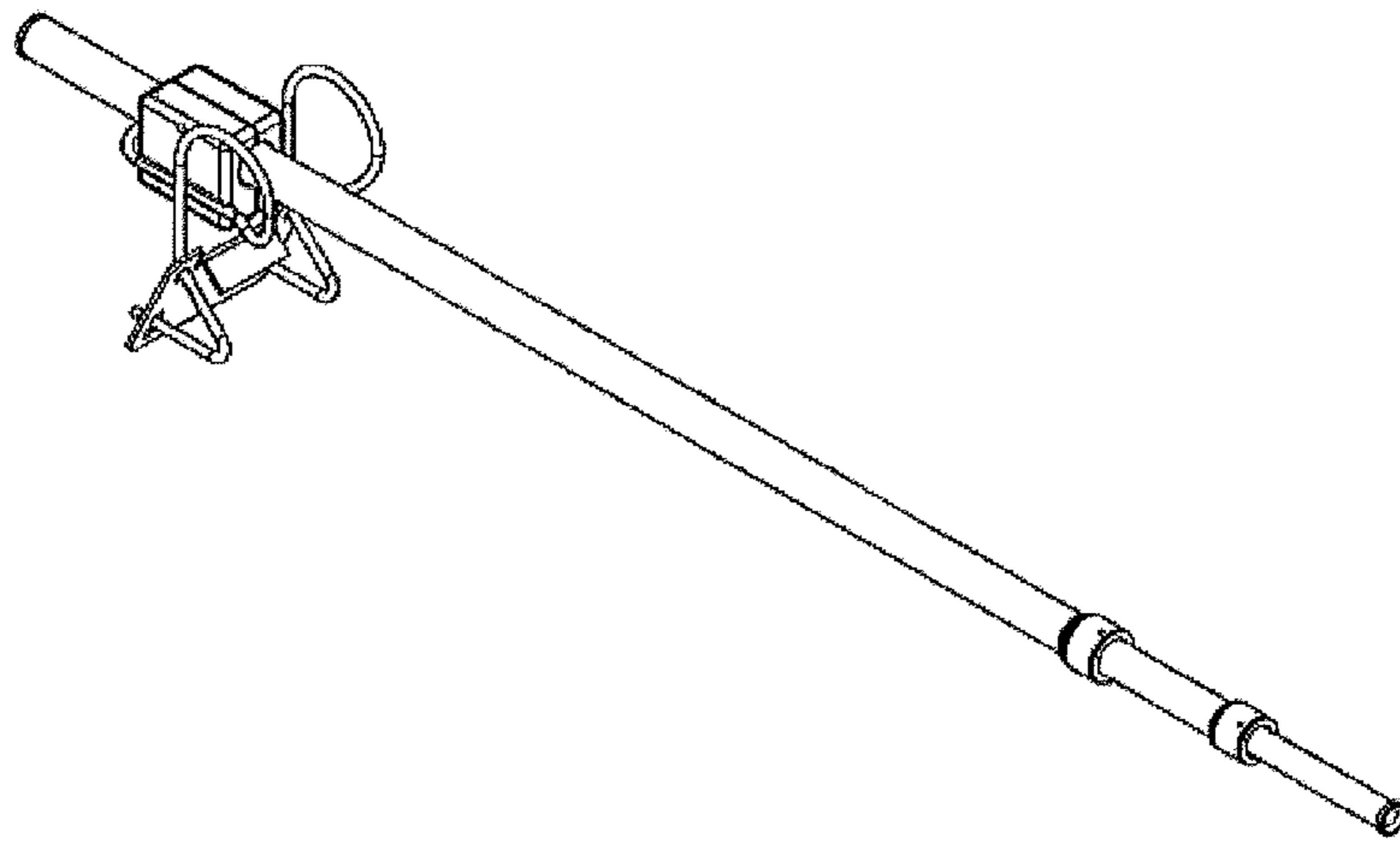


FIG 8

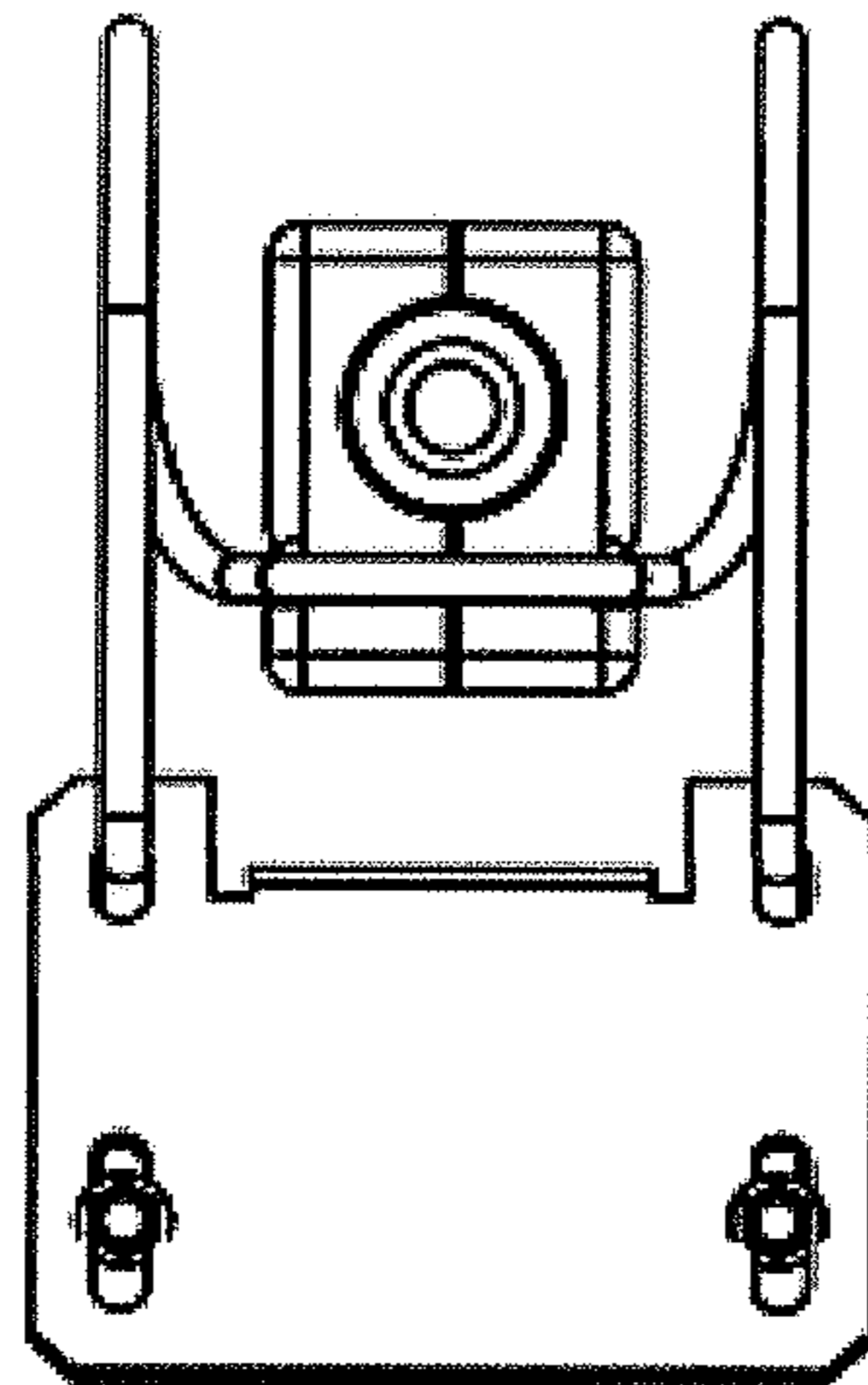


FIG 9

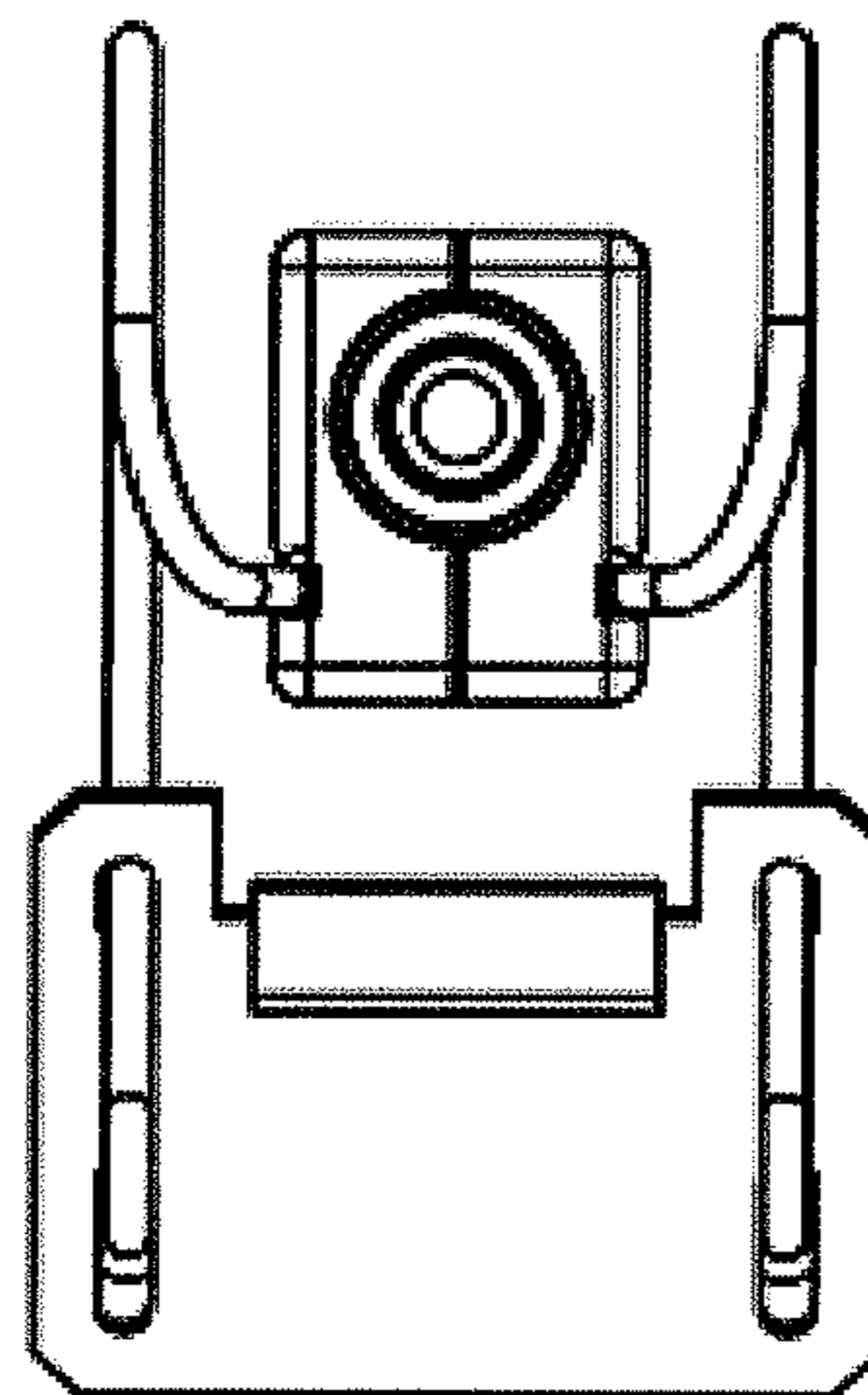


FIG 10