



US00D730486S

(12) **United States Design Patent**
Ikeda

(10) **Patent No.:** **US D730,486 S**
(45) **Date of Patent:** **** May 26, 2015**

(54) **AERATION NOZZLE**

(71) Applicant: **Akinori Ikeda**, Yamaguchi (JP)

(72) Inventor: **Akinori Ikeda**, Yamaguchi (JP)

(73) Assignees: **Akinori Ikeda**, Yamaguchi (JP); **Kiyoshi Tsuji**, Fukuoka (JP)

(**) Term: **14 Years**

(21) Appl. No.: **29/455,880**

(22) Filed: **May 24, 2013**

(51) **LOC (10) Cl.** **23-01**

(52) **U.S. Cl.**
USPC **D23/213**

(58) **Field of Classification Search**
USPC D23/213, 249; 239/428.5, 437;
261/DIG. 22; 138/39; 210/620
See application file for complete search history.

(56) **References Cited**

U.S. PATENT DOCUMENTS

5,495,627	A *	3/1996	Leaverton et al.	4/541.6
6,029,912	A *	2/2000	Woolley	239/428.5
D637,267	S *	5/2011	Suzuki et al.	D23/213
D674,878	S *	1/2013	Jones et al.	D23/213

D676,525	S *	2/2013	Jones et al.	D23/213
8,549,991	B2 *	10/2013	Stieger et al.	99/293
D693,427	S *	11/2013	Jones et al.	D23/213

* cited by examiner

Primary Examiner — Robin V Webster

(74) *Attorney, Agent, or Firm* — Konomi Takeshita

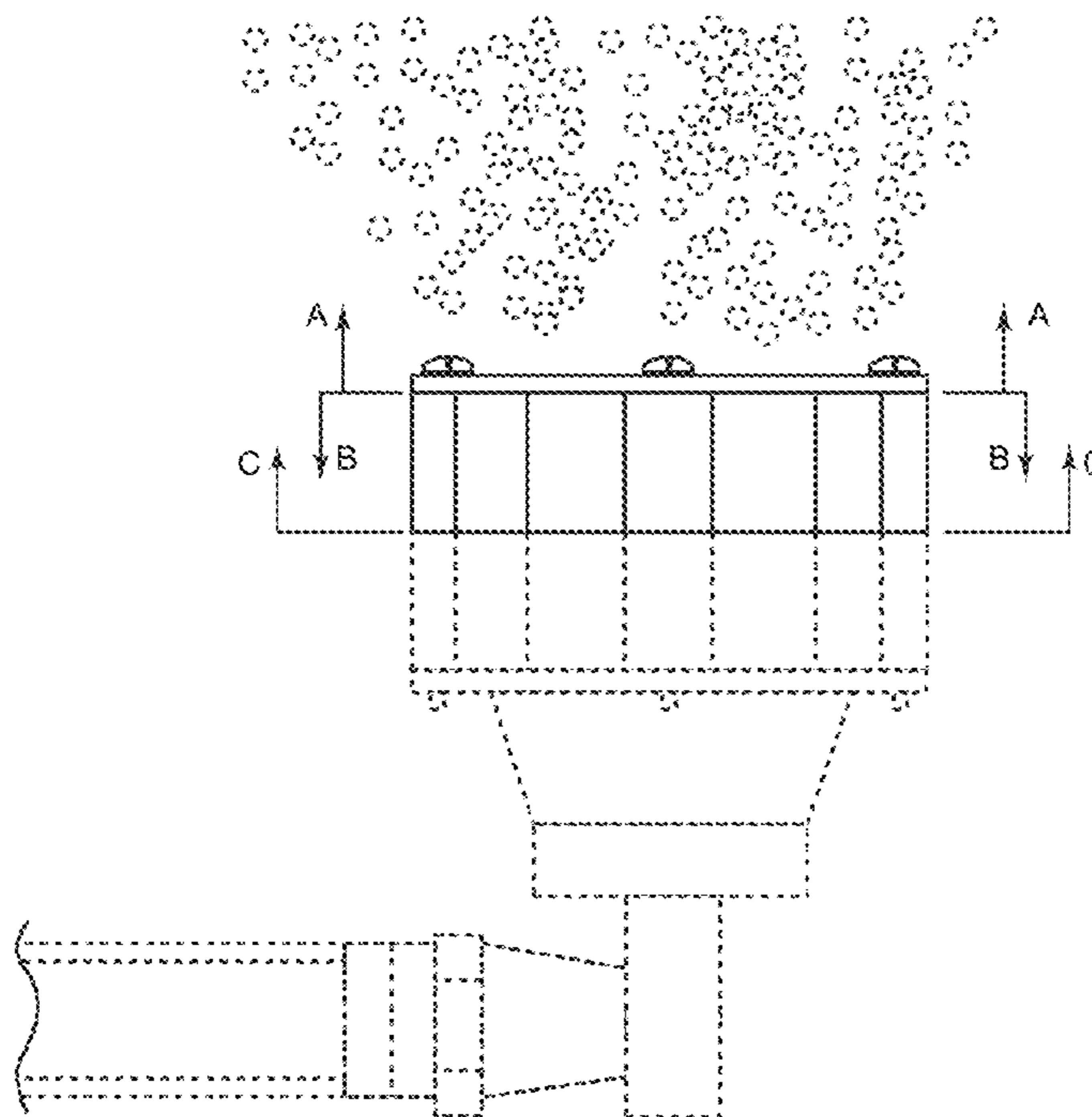
(57) **CLAIM**

The ornamental design for an aeration nozzle, as shown and described.

DESCRIPTION

FIG. 1 is a reference front elevational view of an aeration nozzle, showing the aeration nozzle when being used;
 FIG. 2 is a elevational view, showing my design in solid lines;
 FIG. 3 is a back elevational view, showing my design in solid lines;
 FIG. 4 is a right side view, showing my design in solid lines;
 FIG. 5 is a left side view, showing my design in solid lines;
 FIG. 6 is top plan view, showing my design in solid lines;
 FIG. 7 is a bottom plan view, showing my design in solid lines
 FIG. 8 is a perspective view of A-A line in the direction of the arrow, showing my design in solid lines;
 FIG. 9 is a perspective view of B-B line in the direction of the arrow, showing my design in solid lines; and,
 FIG. 10 is a cross sectional view along C-C line in the direction of the arrow, showing my design in solid lines.
 The broken line showing is included for the purpose of illustrating and forms no part of the claimed design.

1 Claim, 10 Drawing Sheets



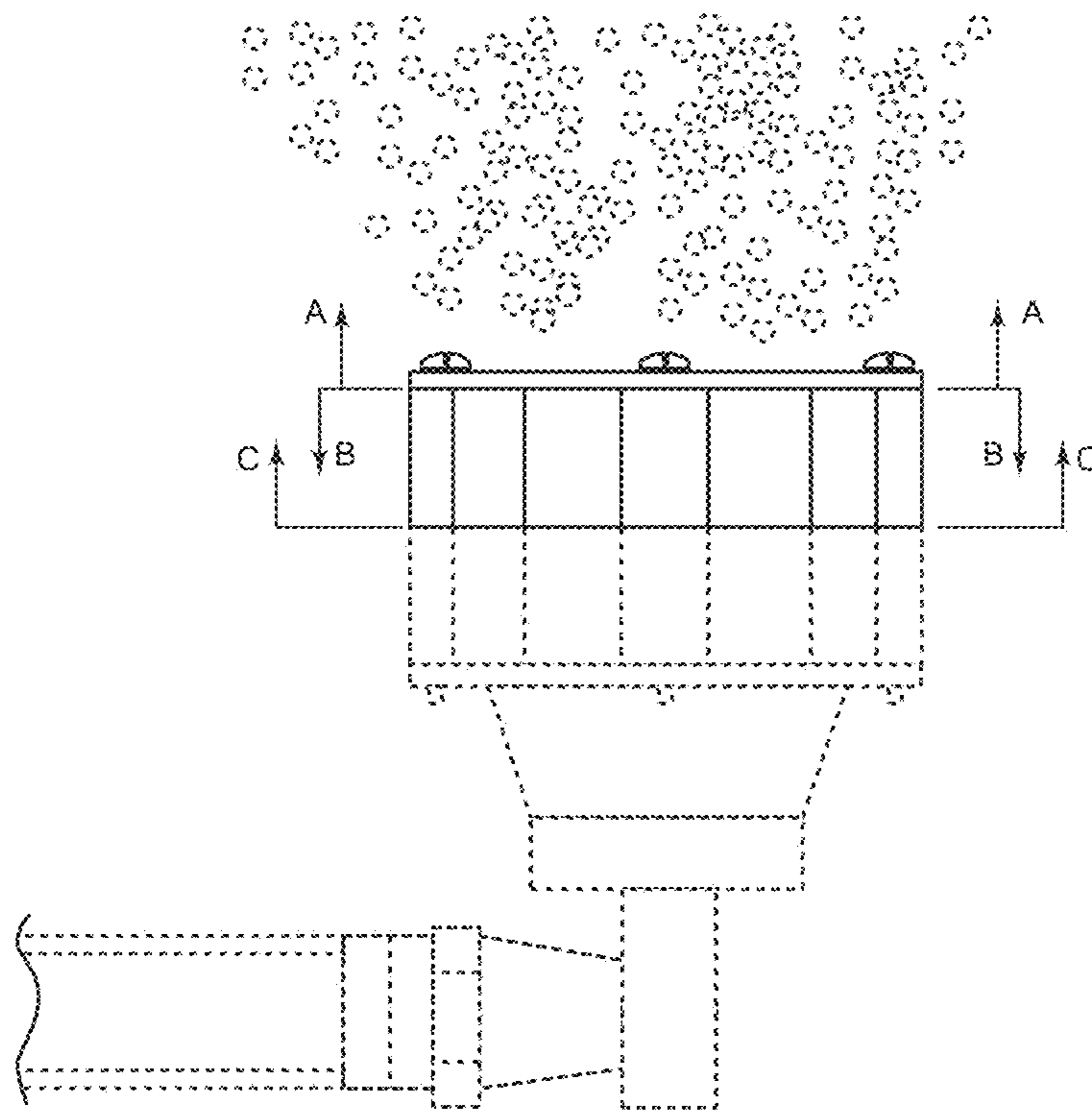


FIG.1

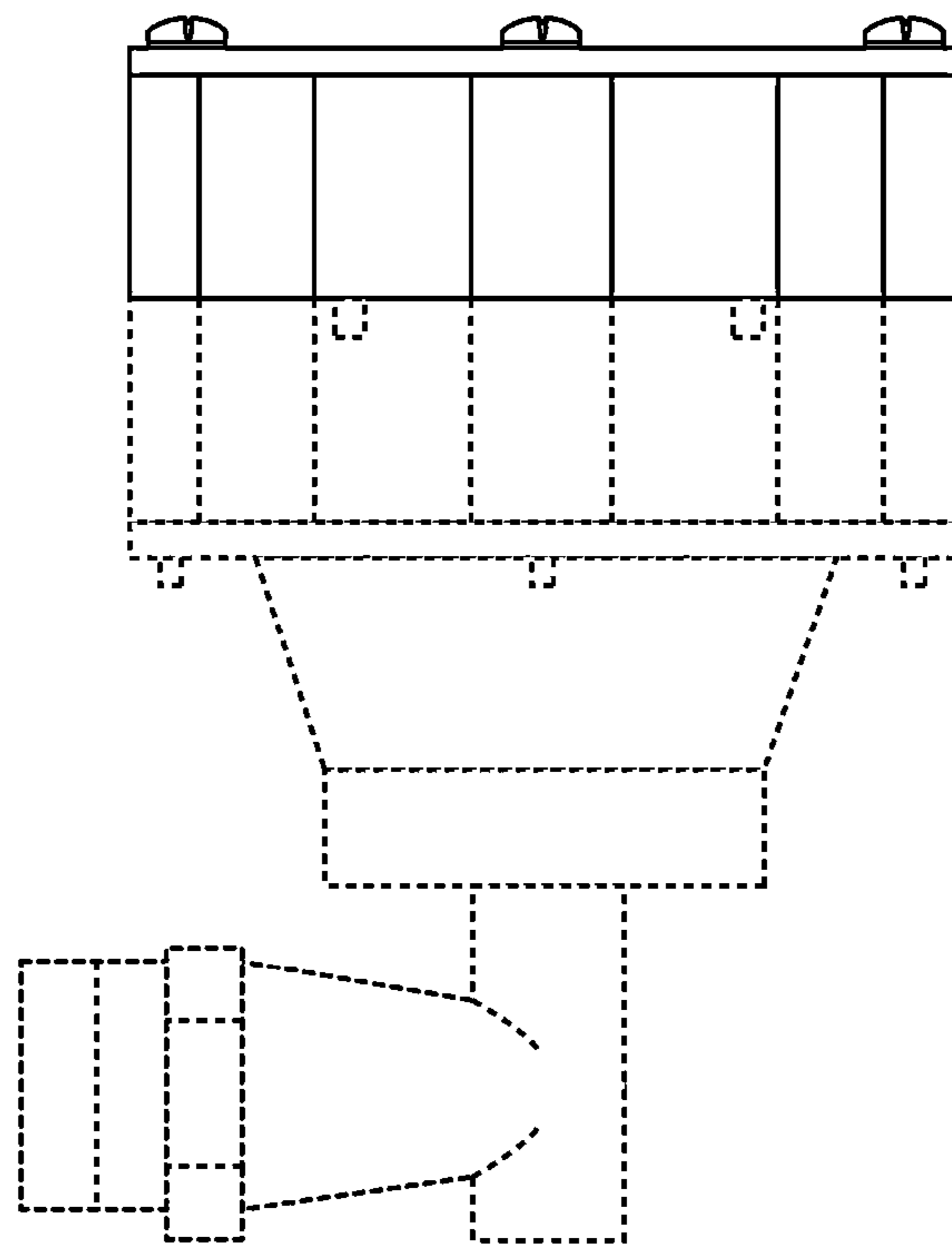


FIG.2

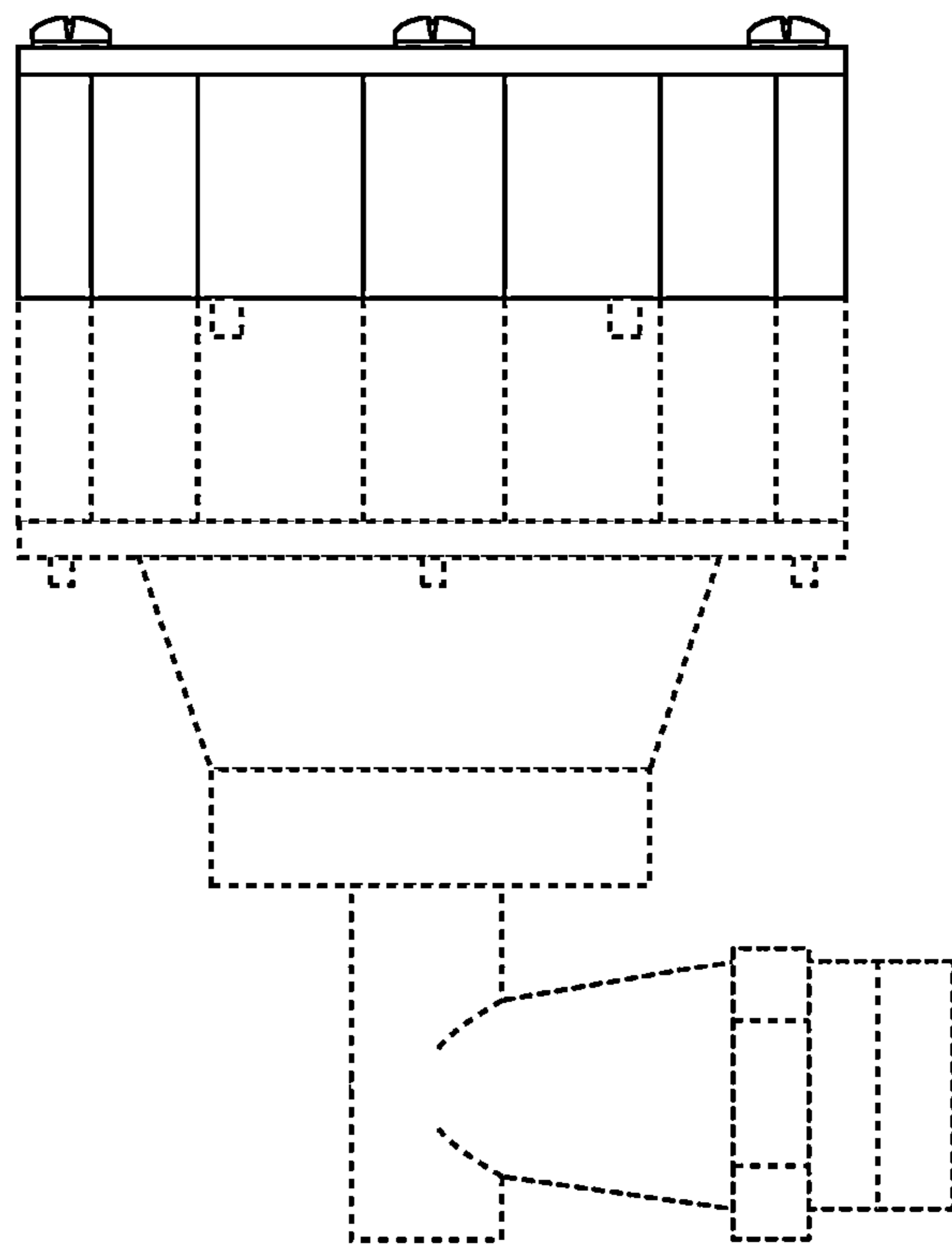


FIG.3

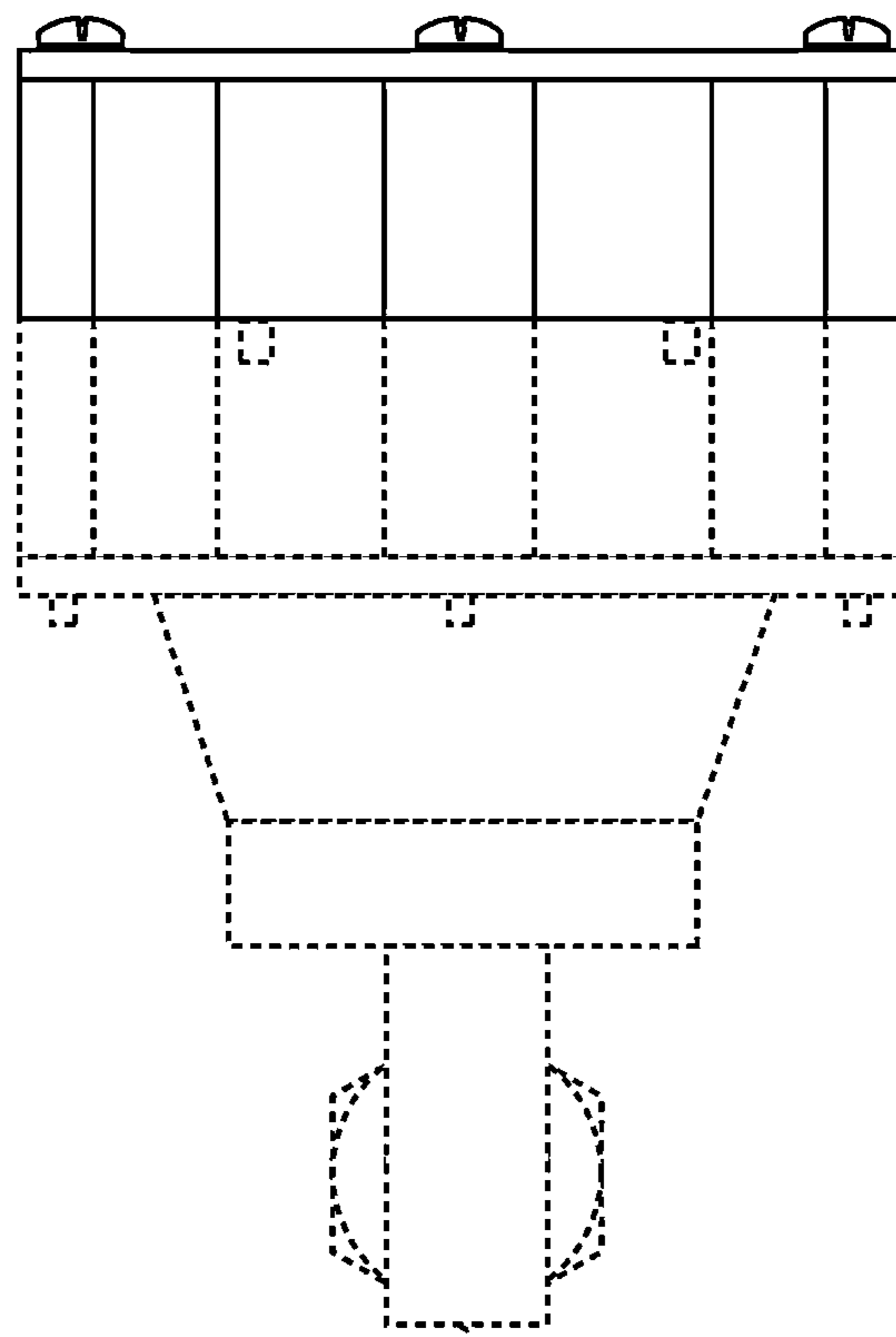


FIG. 4

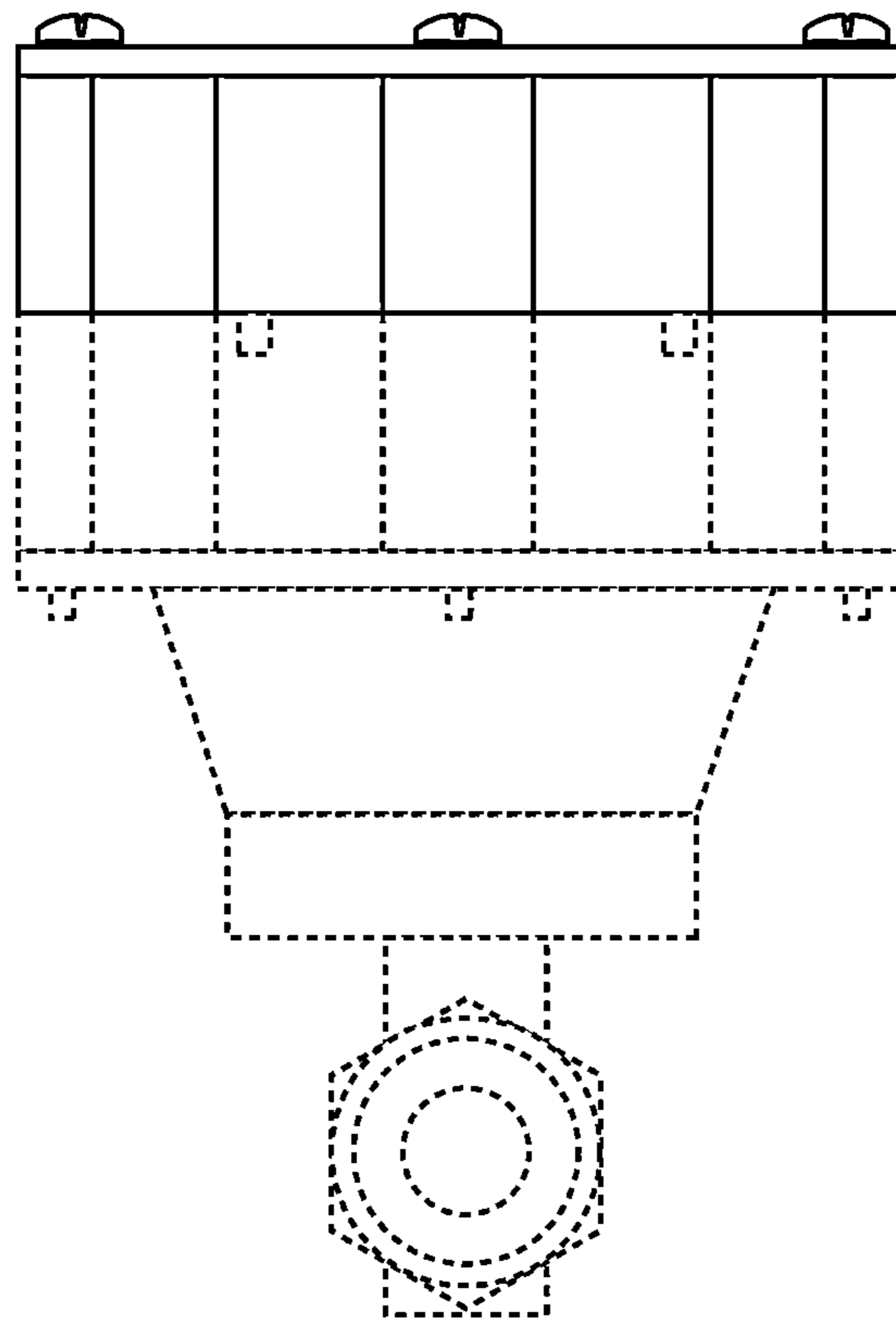


FIG. 5

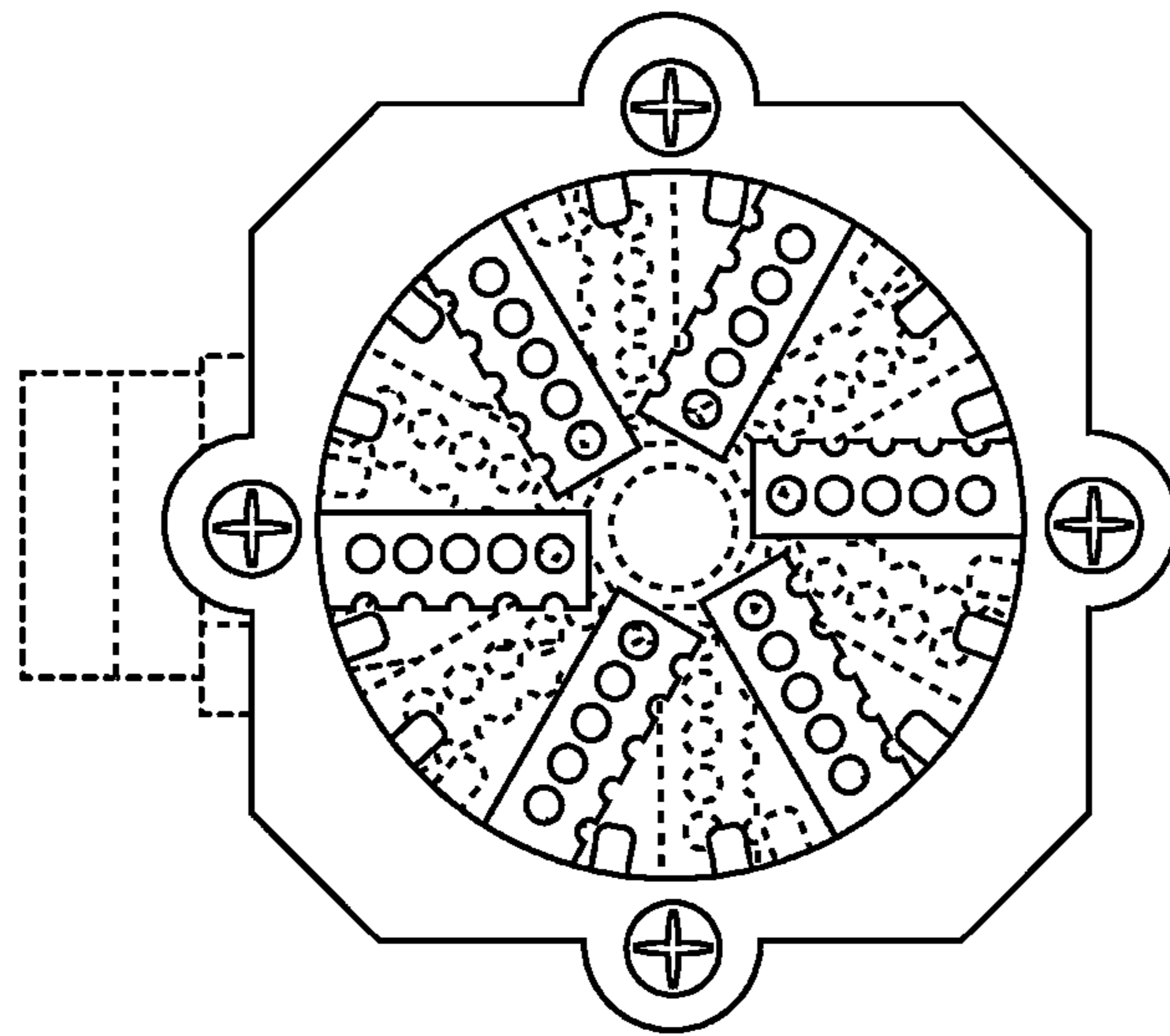


FIG. 6

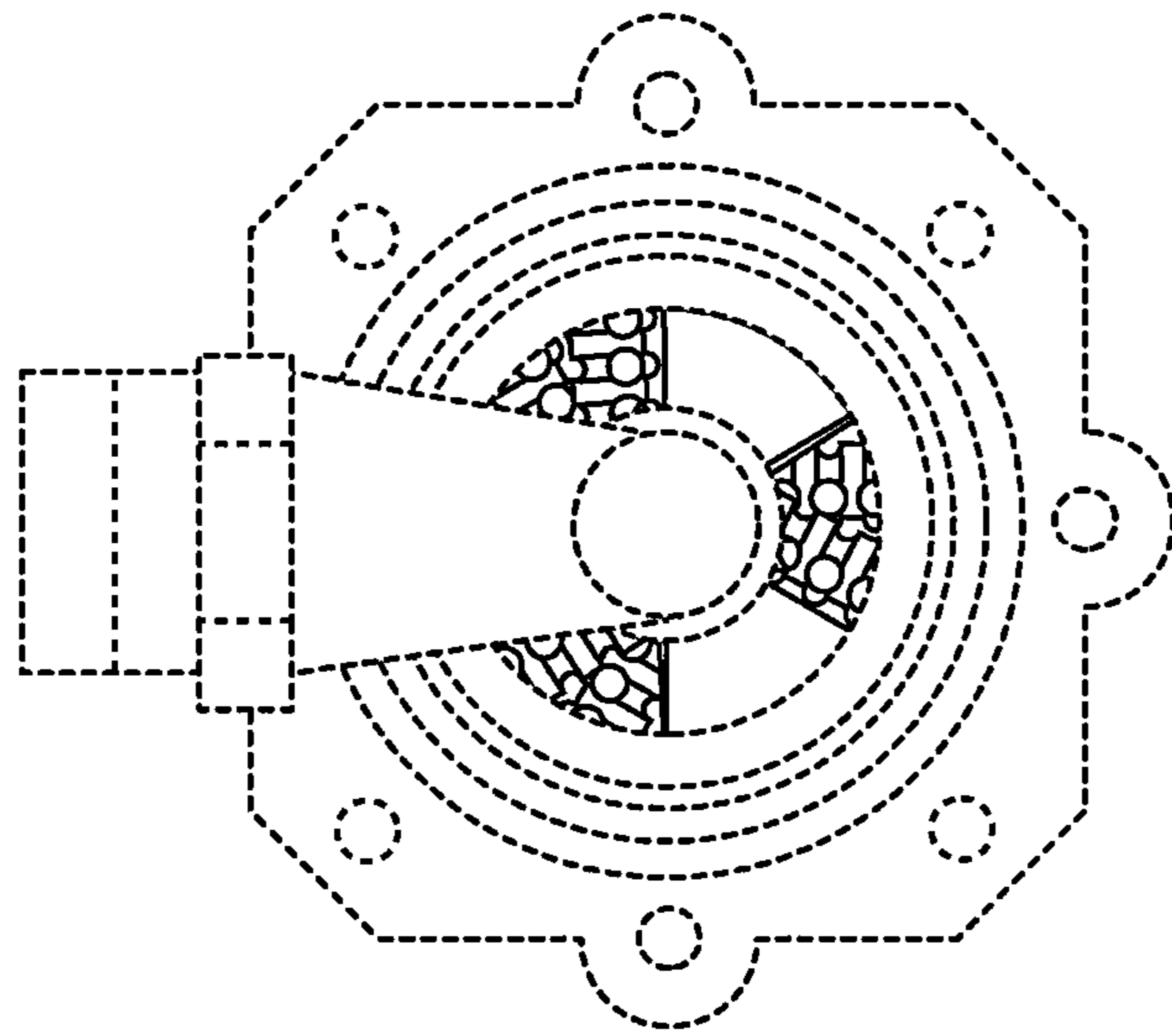


FIG. 7

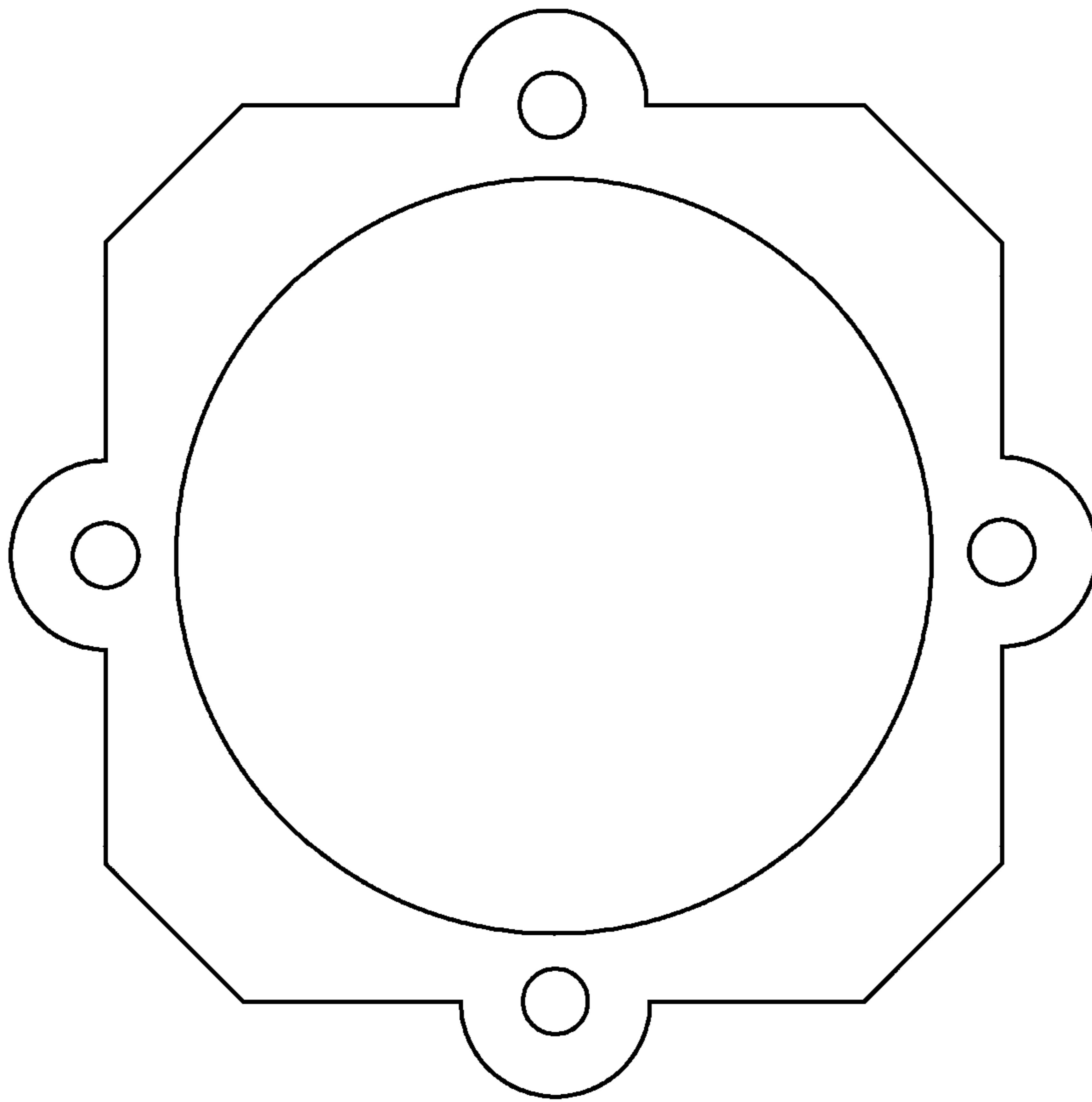


FIG. 8

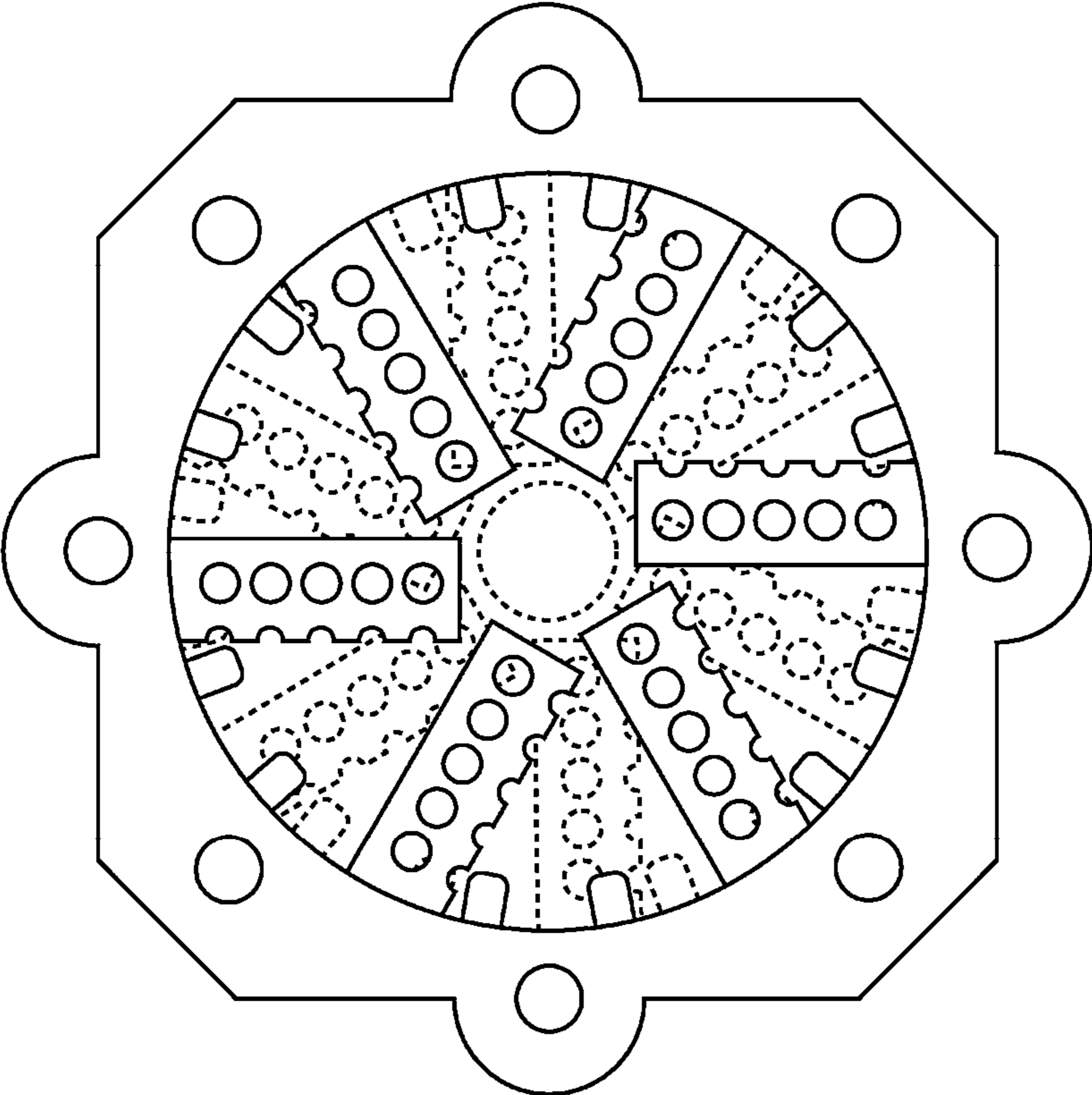


FIG. 9

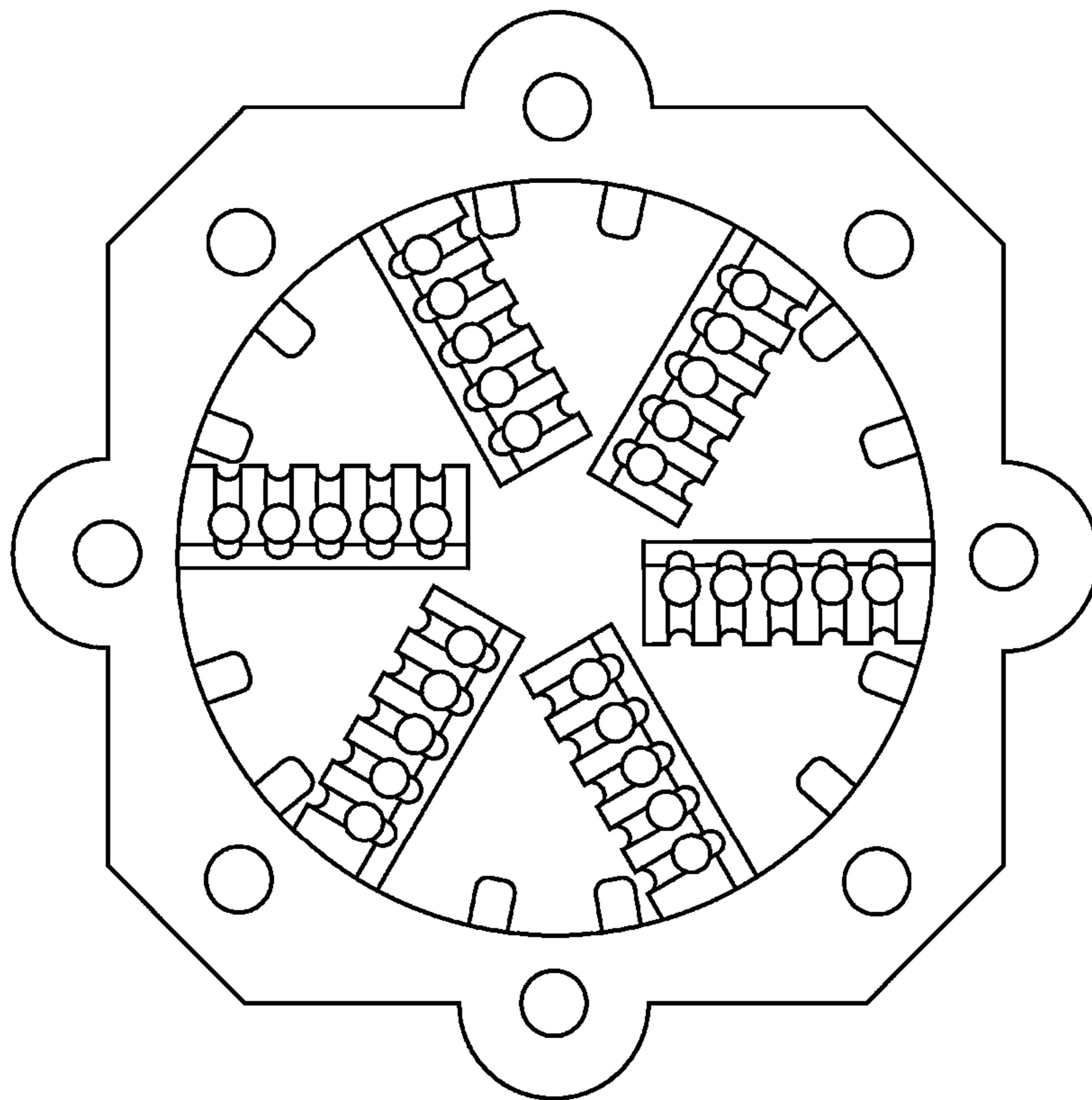


FIG. 10

UNITED STATES PATENT AND TRADEMARK OFFICE
CERTIFICATE OF CORRECTION

PATENT NO. : D730,486 S
APPLICATION NO. : 29/455880
DATED : May 26, 2015
INVENTOR(S) : Ikeda

Page 1 of 1

It is certified that error appears in the above-identified patent and that said Letters Patent is hereby corrected as shown below:

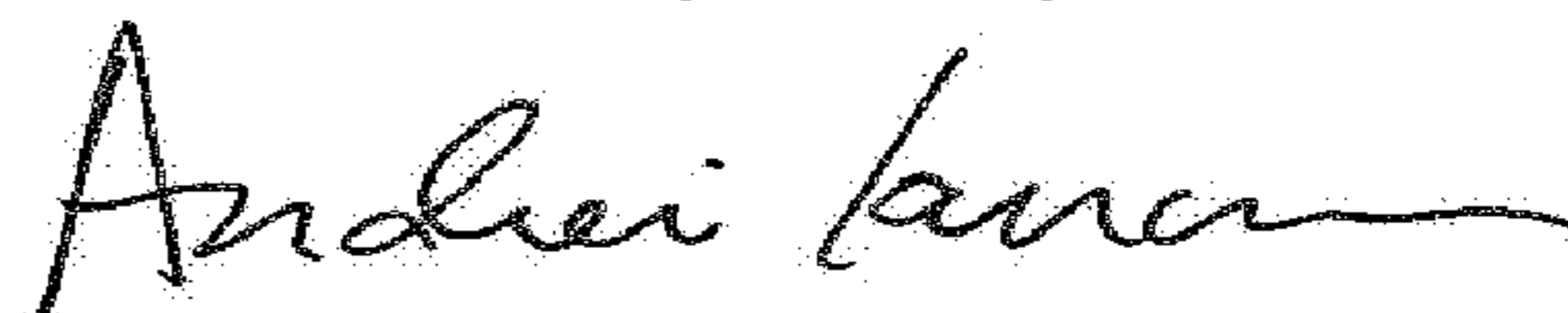
On the Title Page

Please add, item (30) "Foreign Application Priority Data":

-- (30) Foreign Application Priority Data

November 28, 2012 (JP)-----2012-028990 --

Signed and Sealed this
Tenth Day of July, 2018



Andrei Iancu

Director of the United States Patent and Trademark Office