



US00D730483S

(12) **United States Design Patent**  
**Rein, Jr.**

(10) **Patent No.:** **US D730,483 S**

(45) **Date of Patent:** **\*\* May 26, 2015**

(54) **VEHICLE CONSOLE GUN MOUNT**

(56) **References Cited**

(71) Applicant: **Robert H. Rein, Jr.**, Larned, KS (US)

U.S. PATENT DOCUMENTS

(72) Inventor: **Robert H. Rein, Jr.**, Larned, KS (US)

5,706,990	A *	1/1998	Lahrson	224/410
5,779,120	A *	7/1998	Morford	224/571
D397,403	S *	8/1998	Zebbedies	D22/108
D428,962	S *	8/2000	Morford	D22/108
6,129,252	A *	10/2000	Jackson et al.	224/406
6,986,446	B2 *	1/2006	Murray et al.	224/275
D568,437	S *	5/2008	McBurney et al.	D22/108
D619,672	S *	7/2010	Schneider	D22/108
D622,992	S *	9/2010	Dodd	D6/552

(\*\*) Term: **14 Years**

(21) Appl. No.: **29/477,770**

(22) Filed: **Dec. 26, 2013**

\* cited by examiner

(51) **LOC (10) Cl.** ..... **22-99**

*Primary Examiner* — Michael A Pratt

(52) **U.S. Cl.**

(74) *Attorney, Agent, or Firm* — Dale J. Ream

USPC ..... **D22/199**

(58) **Field of Classification Search**

(57) **CLAIM**

The ornamental design for a vehicle console gun mount, as shown and described.

CPC ..... F41A 23/02; F41A 23/04; F41A 23/12;  
F41A 23/14; F41A 23/16; F41A 23/18;  
F41B 5/12

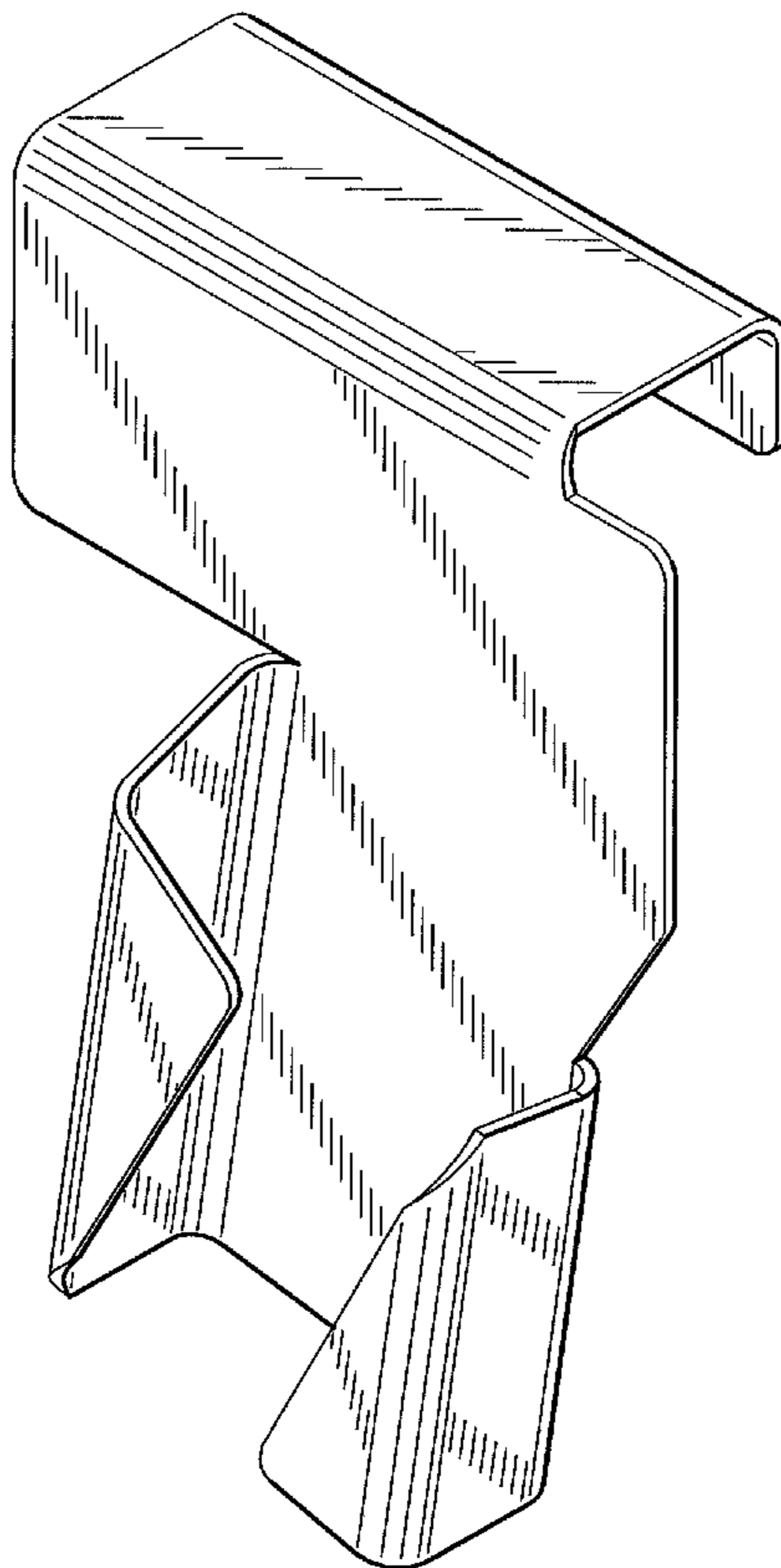
**DESCRIPTION**

USPC ..... D22/108, 199; D8/1, 380, 381; 42/94;  
89/37.04; 211/64, 13.1, 49.1, 60.1,  
211/70.5, 86.01, 87.01, 88.01, 89.01, 181.1,  
211/560; 248/156, 530, 121, 175, 200, 302,  
248/304, 309.1, 310, 312; D6/329, 396,  
D6/417, 552, 553, 567; D21/385, 662, 698

FIG. 1 is a perspective view of a vehicle console gun mount showing my new design;  
FIG. 2 is a front view thereof;  
FIG. 3 is a back view thereof;  
FIG. 4 is a left side view thereof;  
FIG. 5 is a right side view thereof;  
FIG. 6 is a top view thereof; and,  
FIG. 7 is a bottom view thereof.

See application file for complete search history.

**1 Claim, 7 Drawing Sheets**



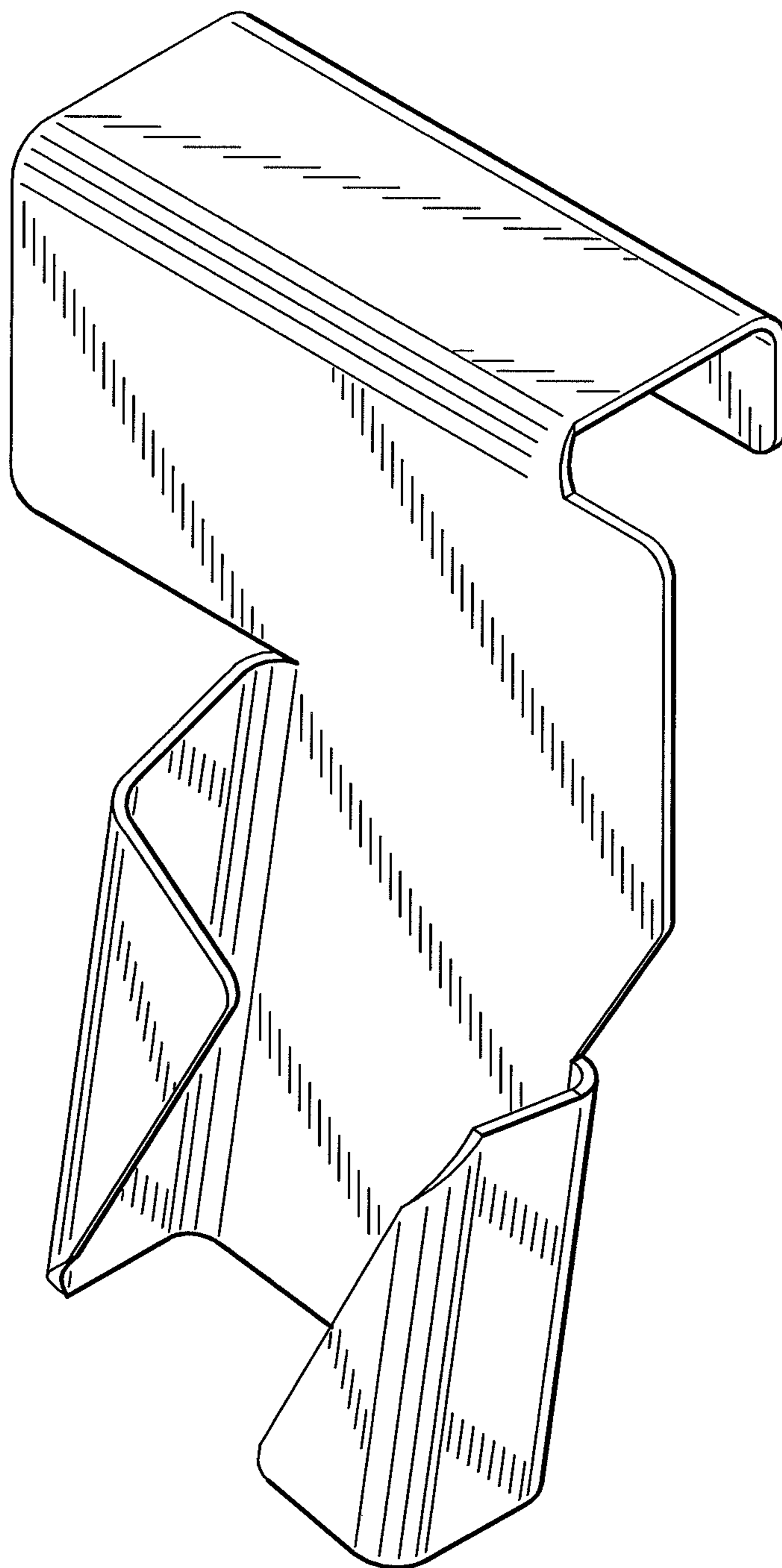


Fig. 1

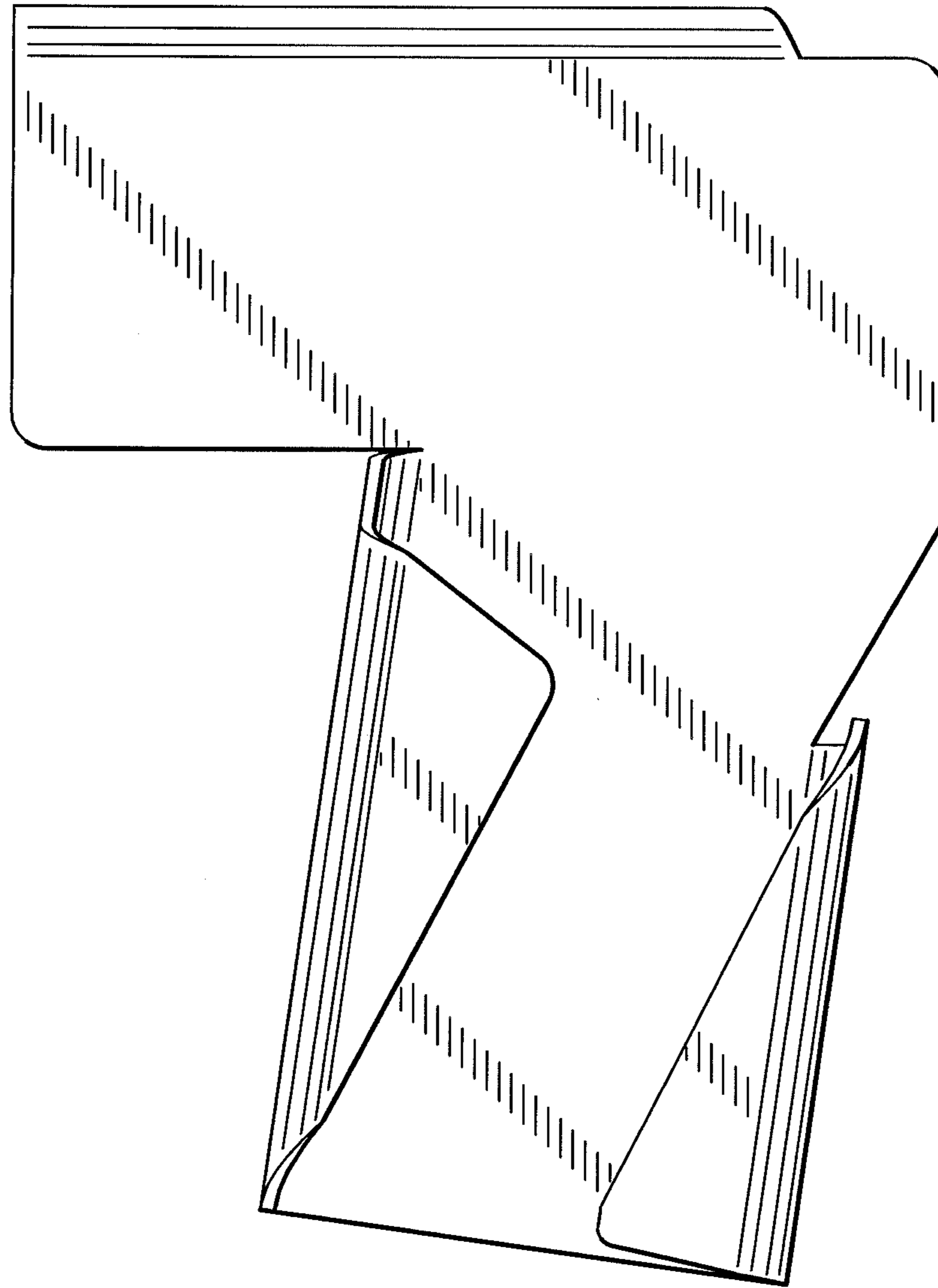


Fig. 2

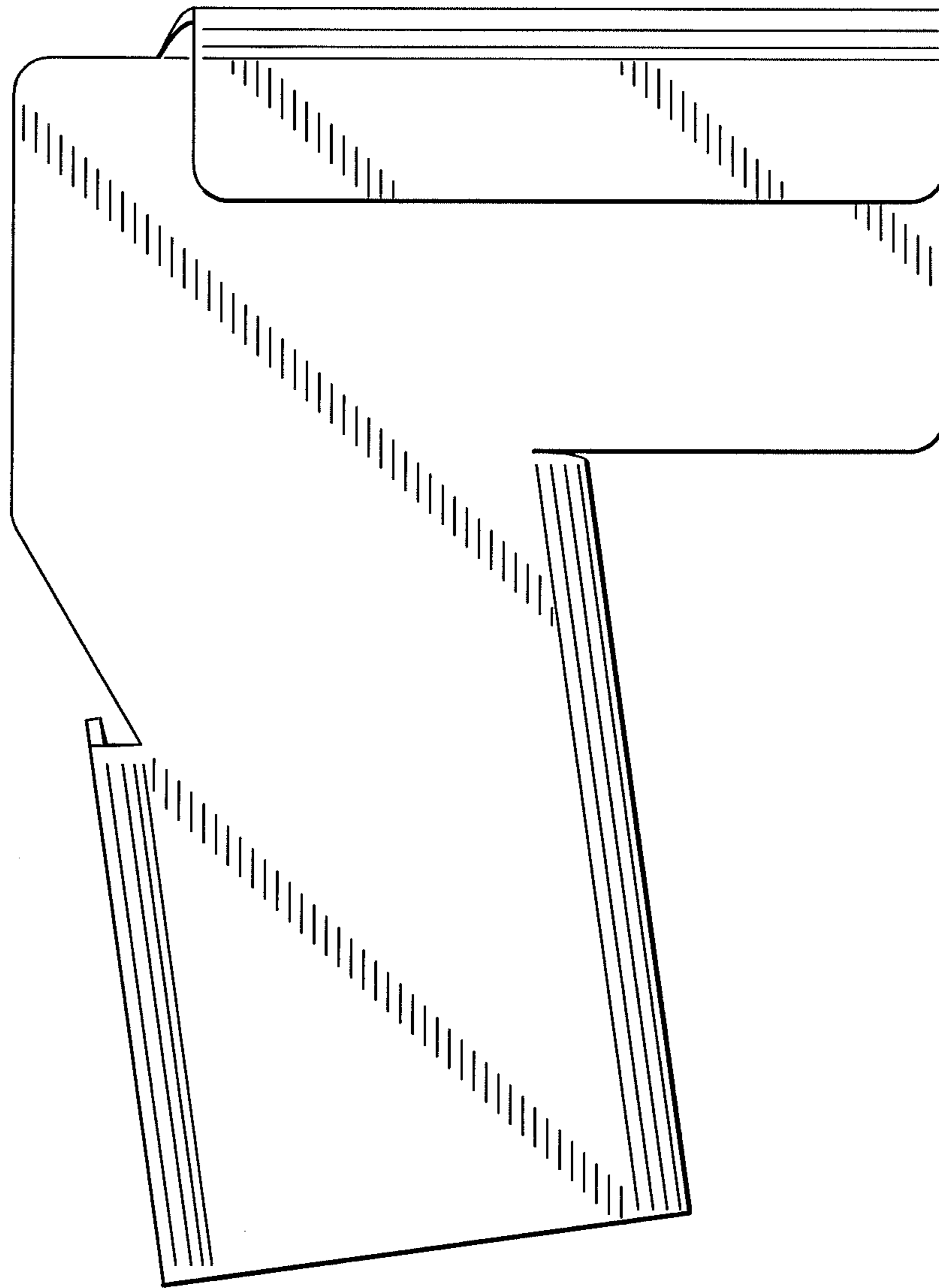


Fig. 3

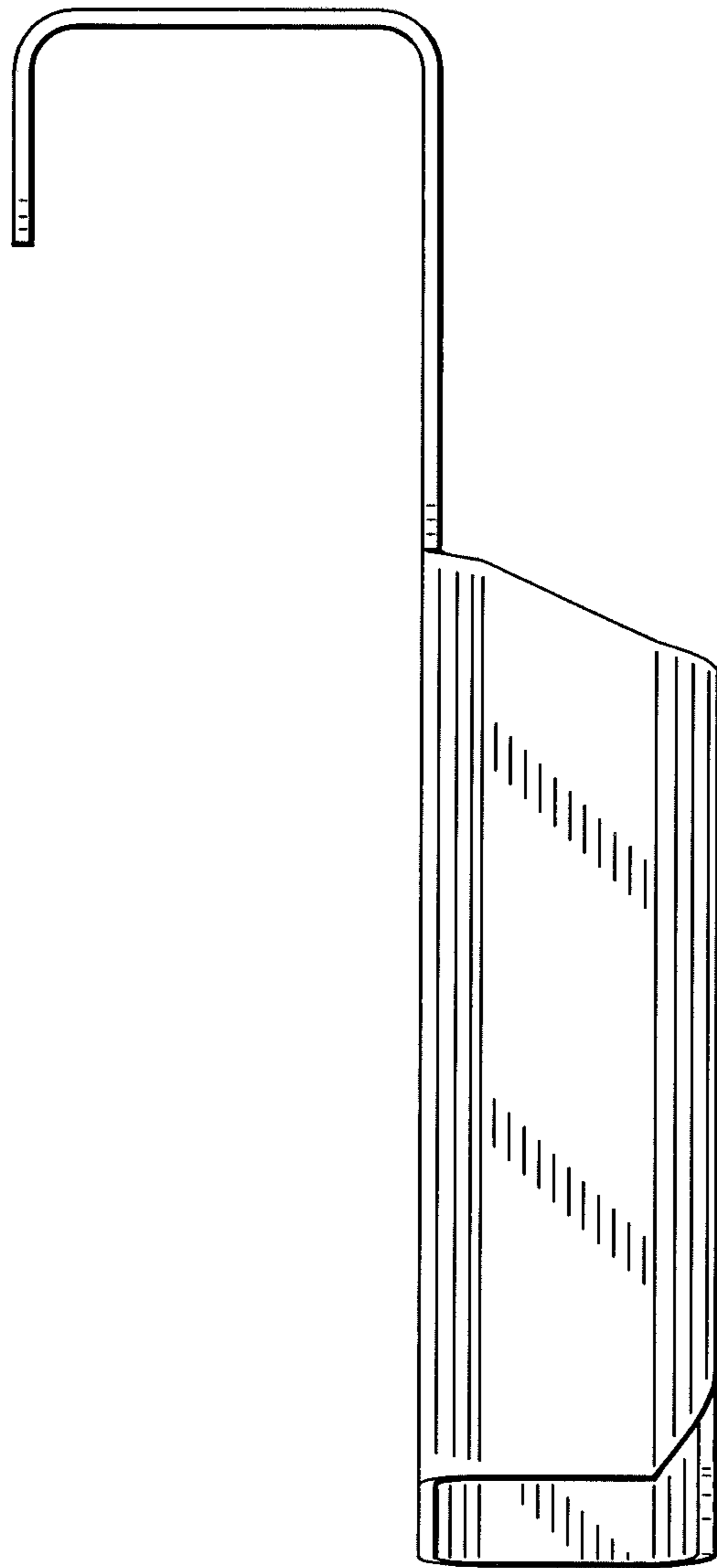


Fig. 4

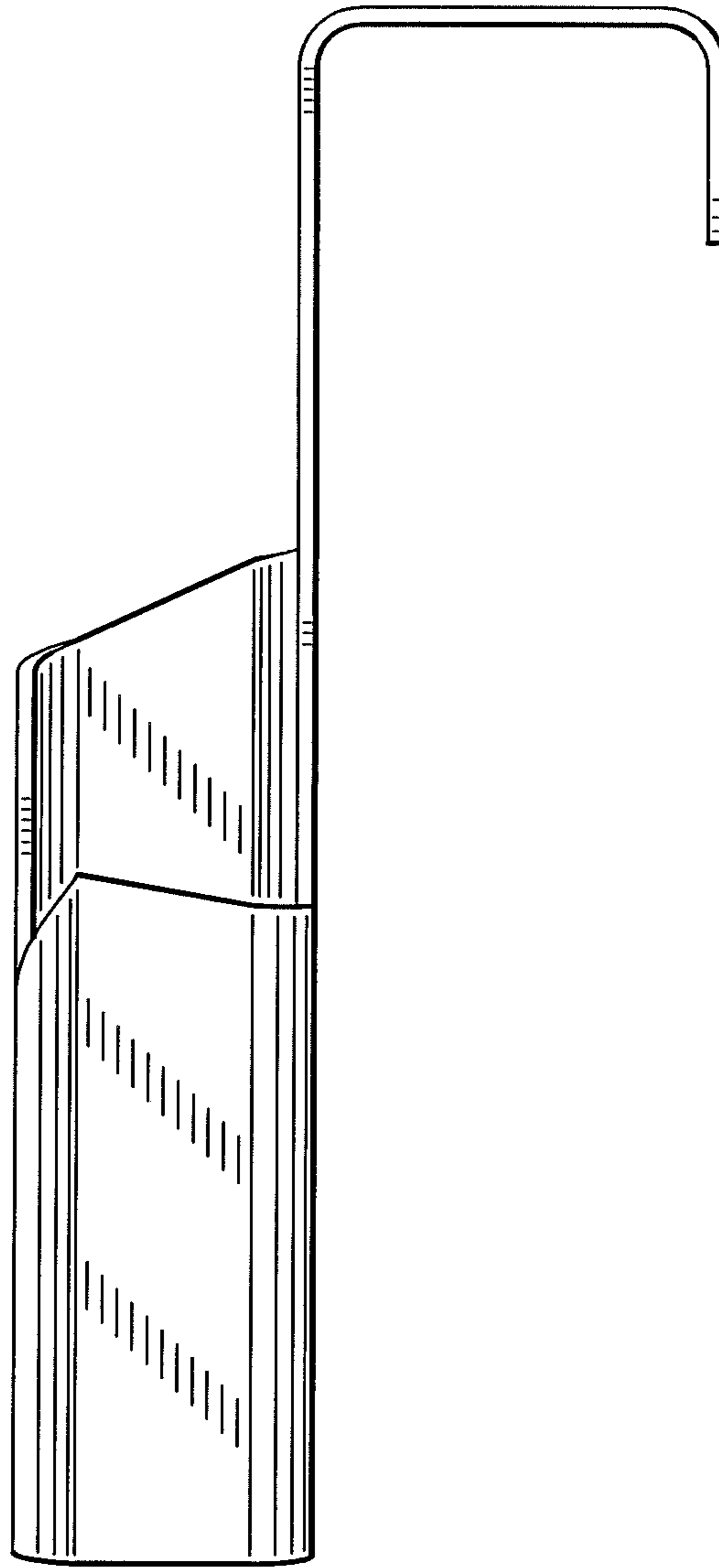


Fig. 5

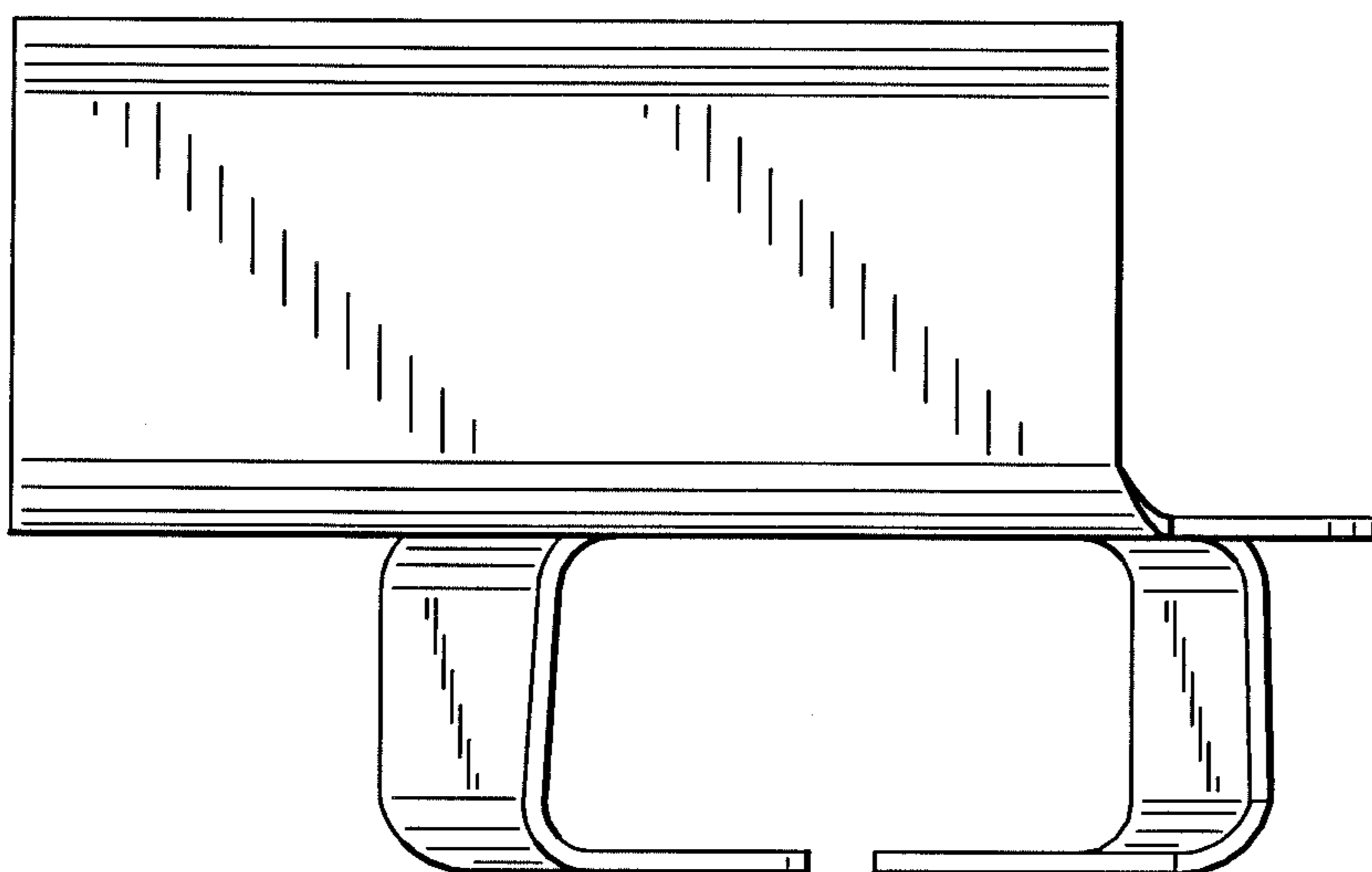


Fig. 6

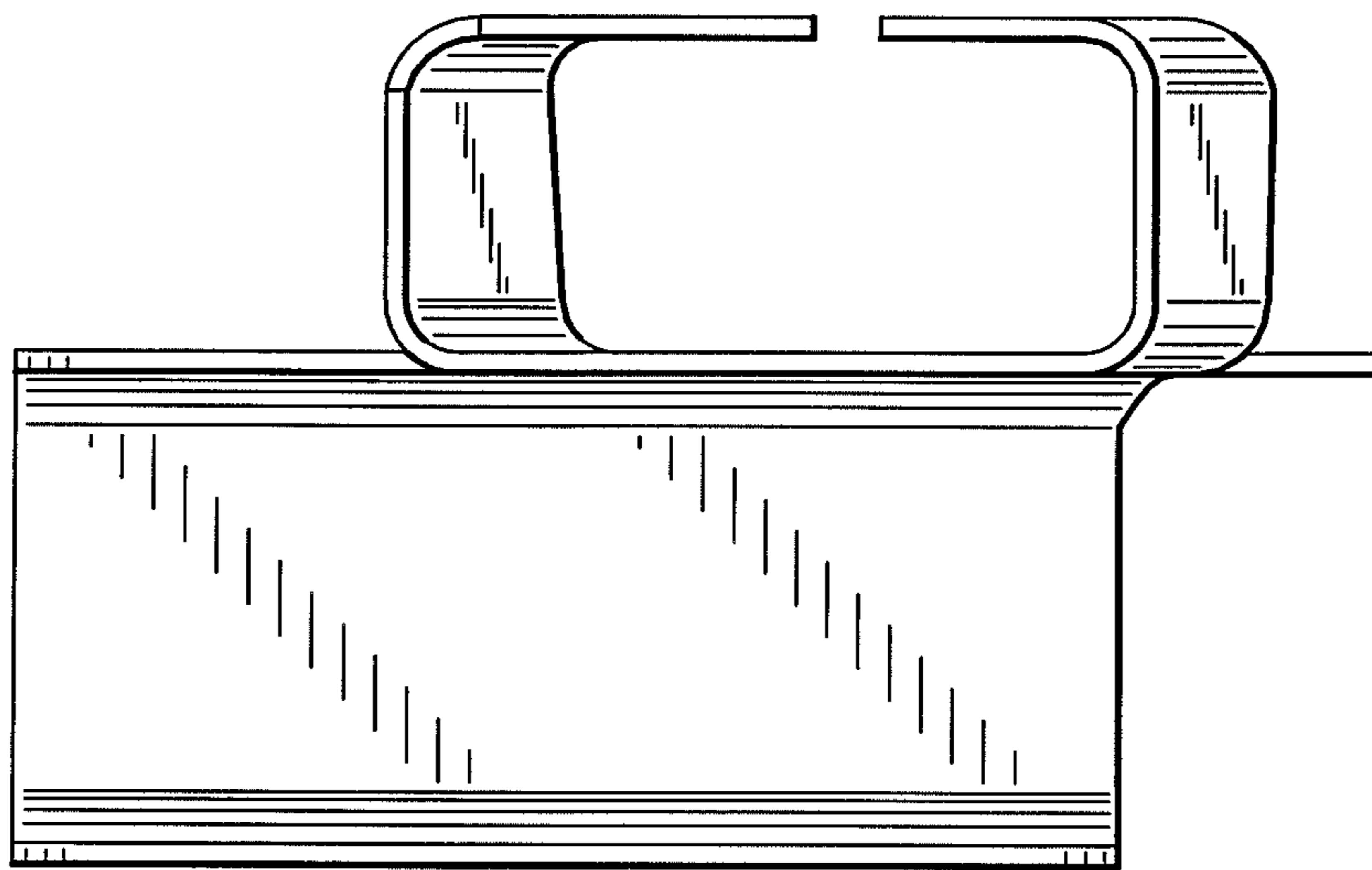


Fig. 7