



US00D730482S

(12) **United States Design Patent**
Kano

(10) **Patent No.:** **US D730,482 S**

(45) **Date of Patent:** **** May 26, 2015**

(54) **LINE GUIDE FOR FISHING REEL**

(56) **References Cited**

(71) Applicant: **Globeride, Inc.**, Higashikurume-shi,
Tokyo (JP)

(72) Inventor: **Shuta Kano**, Higashikurume (JP)

(73) Assignee: **Globeride, Inc.**, Tokyo (JP)

(**) Term: **14 Years**

(21) Appl. No.: **29/466,208**

(22) Filed: **Sep. 5, 2013**

(30) **Foreign Application Priority Data**

Mar. 6, 2013 (JP) 2013-004870

(51) **LOC (10) Cl.** **22-05**

(52) **U.S. Cl.**
USPC **D22/143**

(58) **Field of Classification Search**
USPC D22/143; 43/24; 72/325; 29/33 F, 34 D,
29/557

See application file for complete search history.

U.S. PATENT DOCUMENTS

3,080,638 A *	3/1963	Dayton	29/33 F
3,417,501 A *	12/1968	Fulop	43/24
3,780,684 A *	12/1973	Ohmura	29/557
D501,531 S *	2/2005	Lee	D22/143
D503,453 S *	3/2005	Lin	D22/143
D661,776 S *	6/2012	Toma et al.	D22/143

* cited by examiner

Primary Examiner — Catheri Oliver-Garcia

(74) *Attorney, Agent, or Firm* — Sughrue Mion, PLLC

(57) **CLAIM**

The ornamental design for a line guide for fishing reel, as shown and described.

DESCRIPTION

FIG. 1 is a perspective view of a line guide for fishing reel showing my new design;

FIG. 2 is a front view thereof;

FIG. 3 is a rear view thereof;

FIG. 4 is a left side view thereof;

FIG. 5 is a right side view thereof;

FIG. 6 is a top plan view thereof; and,

FIG. 7 is a bottom view thereof.

The broken lines shown are included for the purpose of illustrating the unclaimed portions of the line guide for fishing reel and form no part of the claimed design.

1 Claim, 7 Drawing Sheets

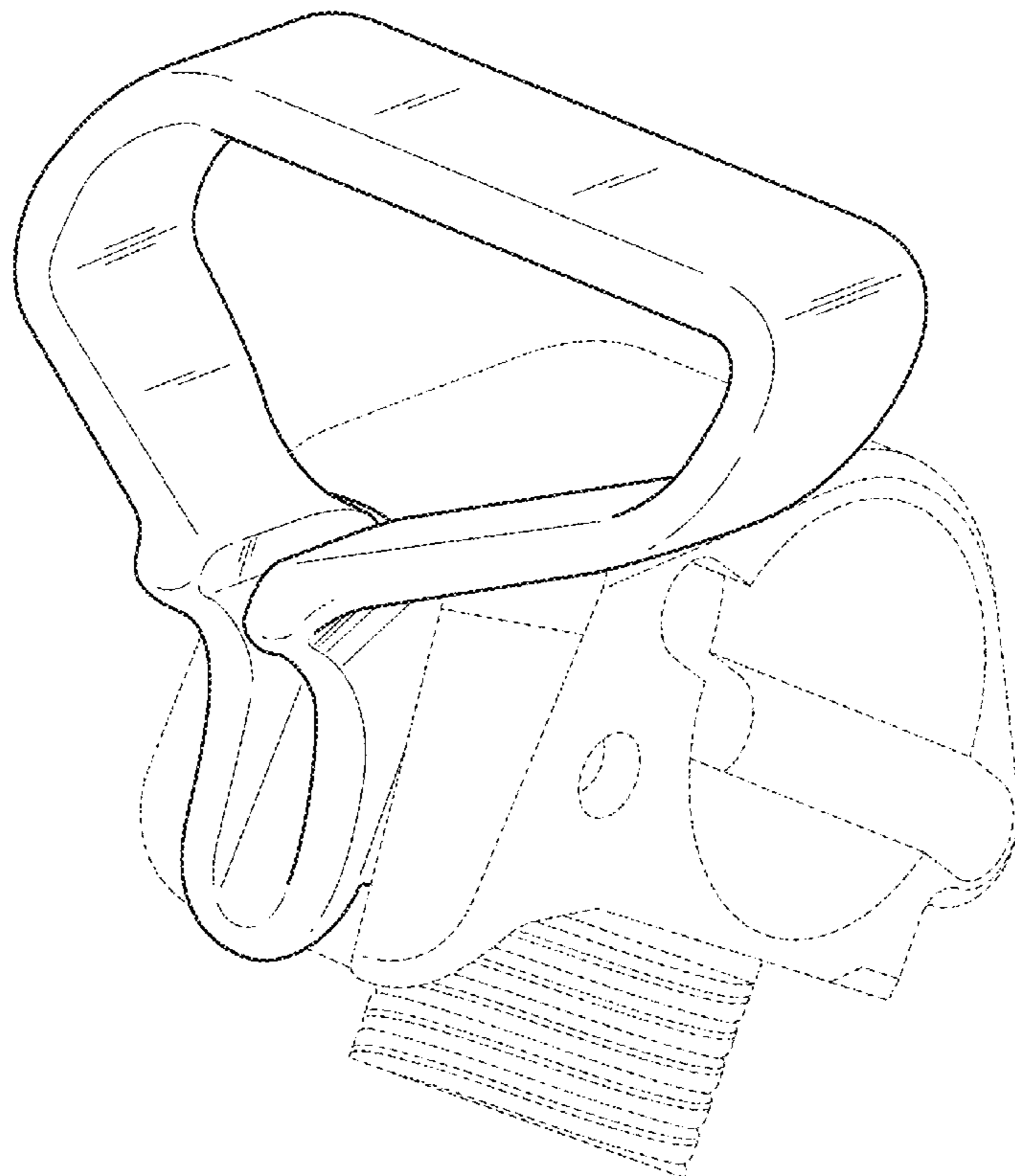


FIG. 1

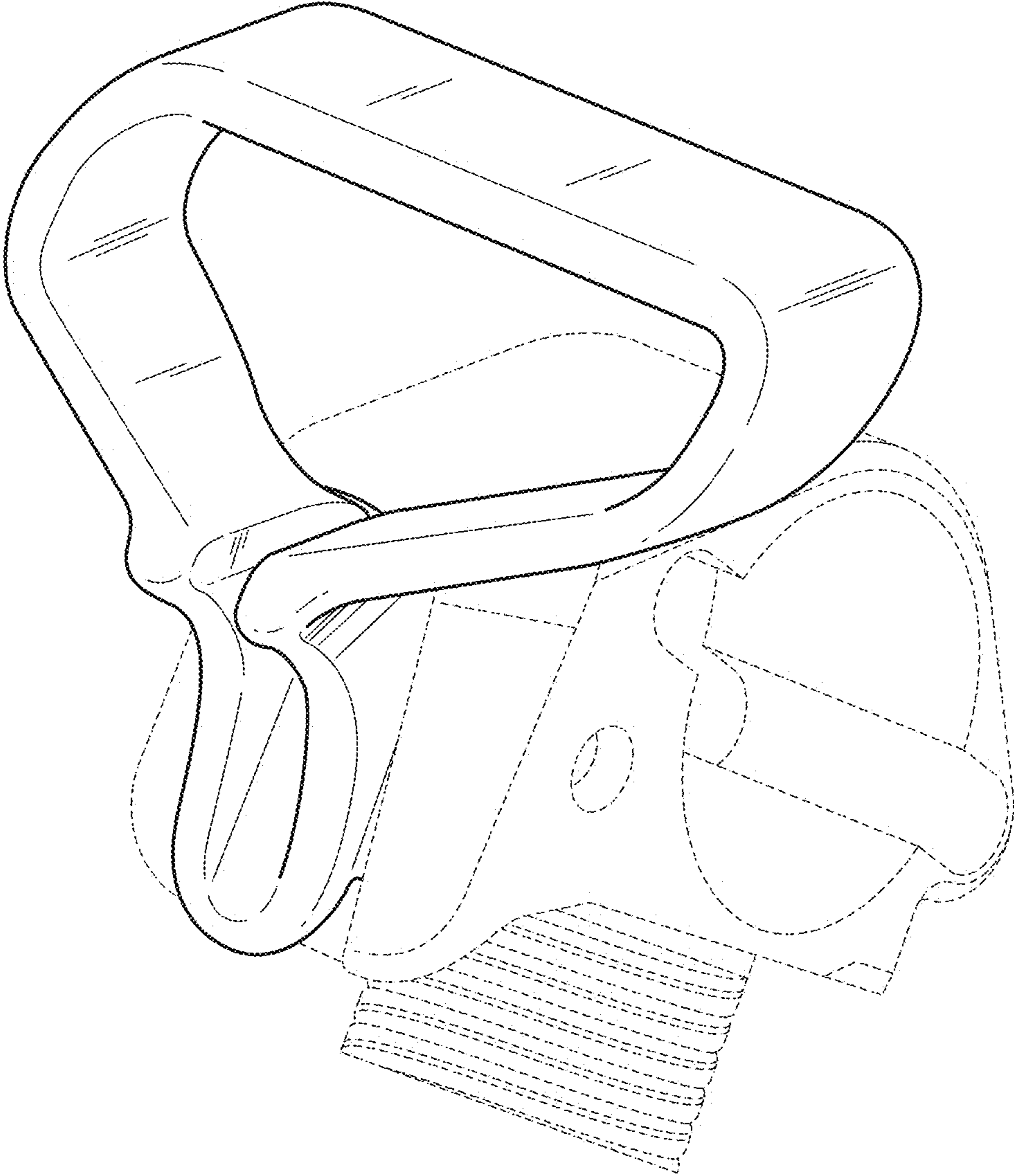


FIG. 2

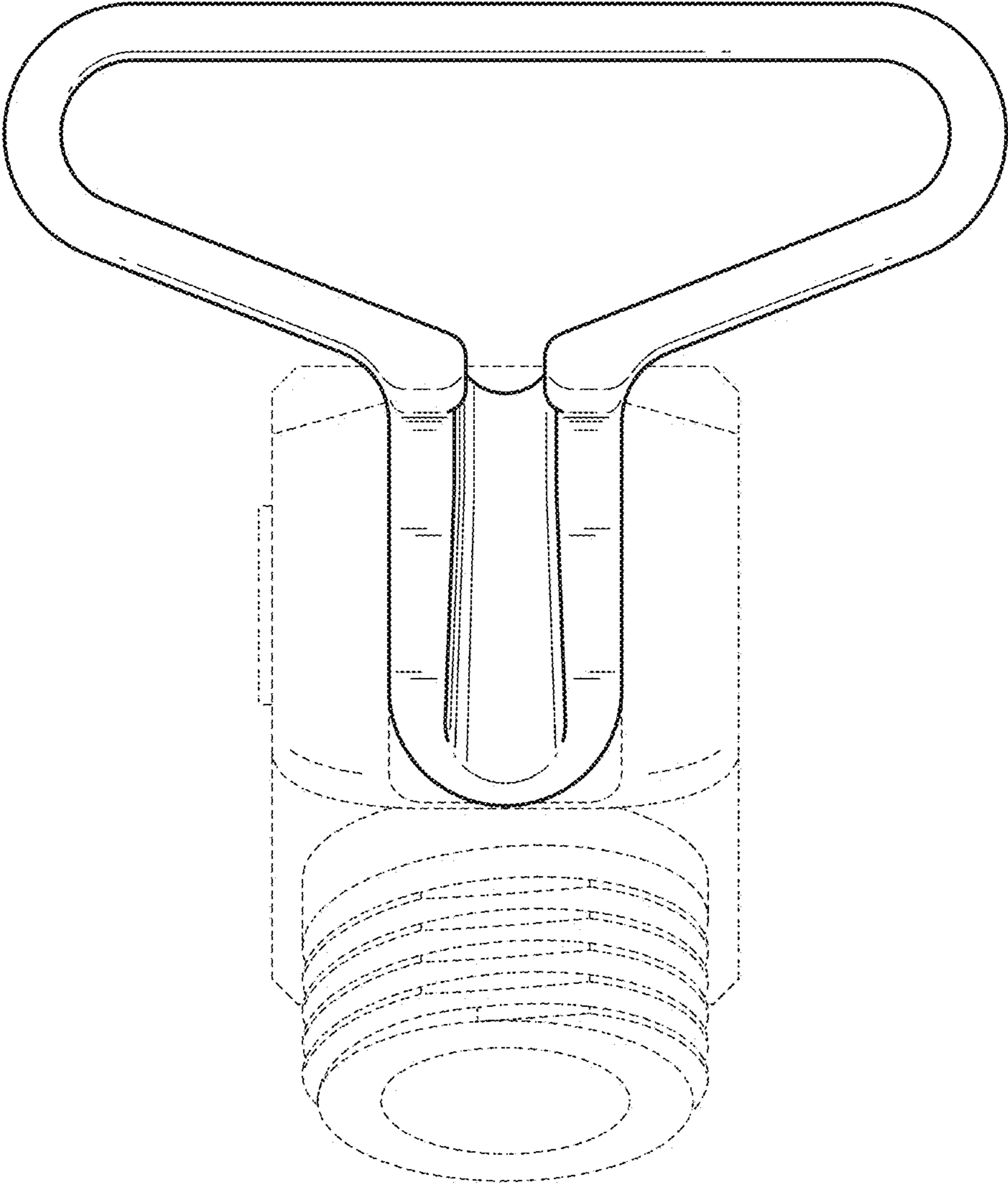


FIG. 3

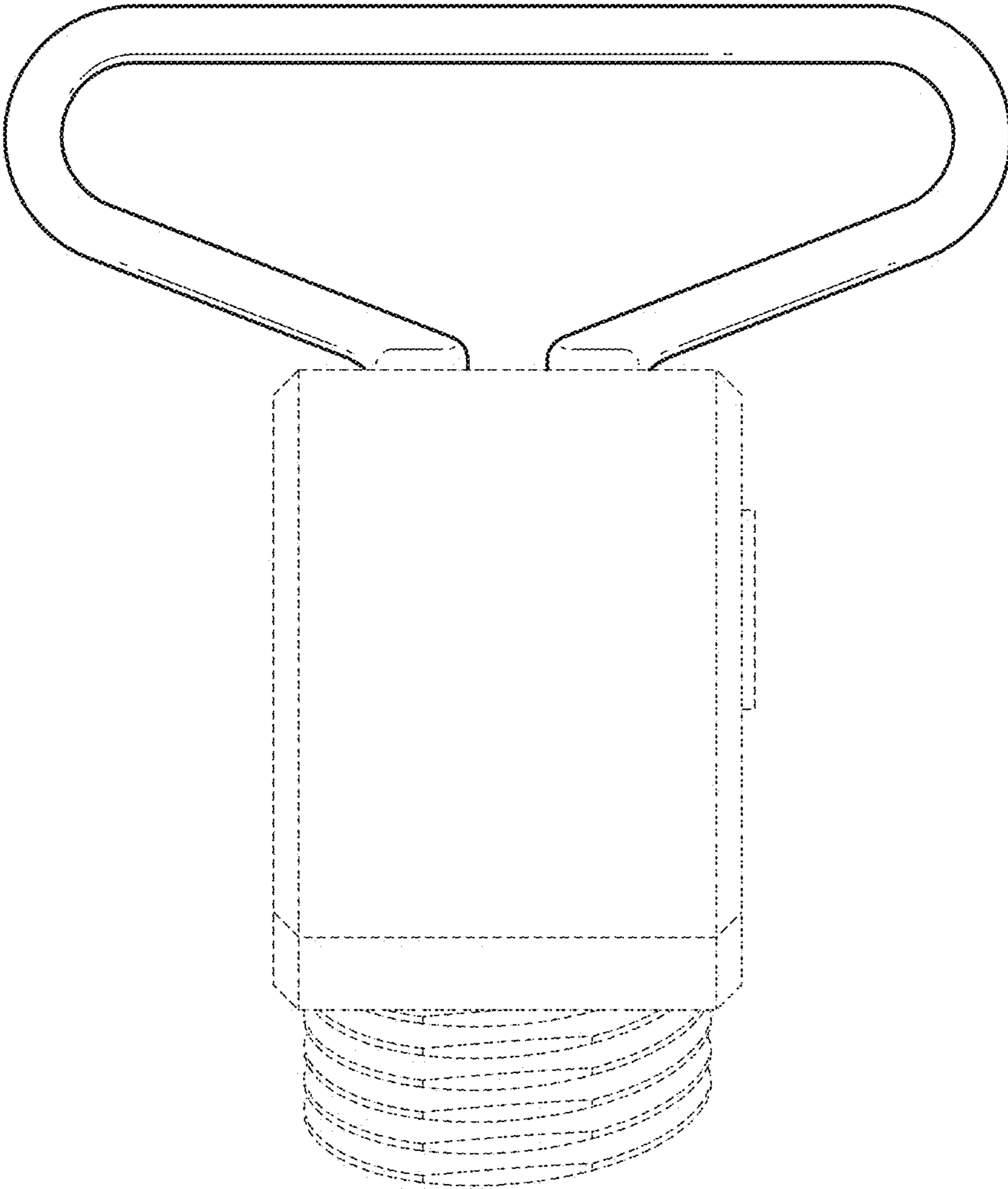


FIG. 4

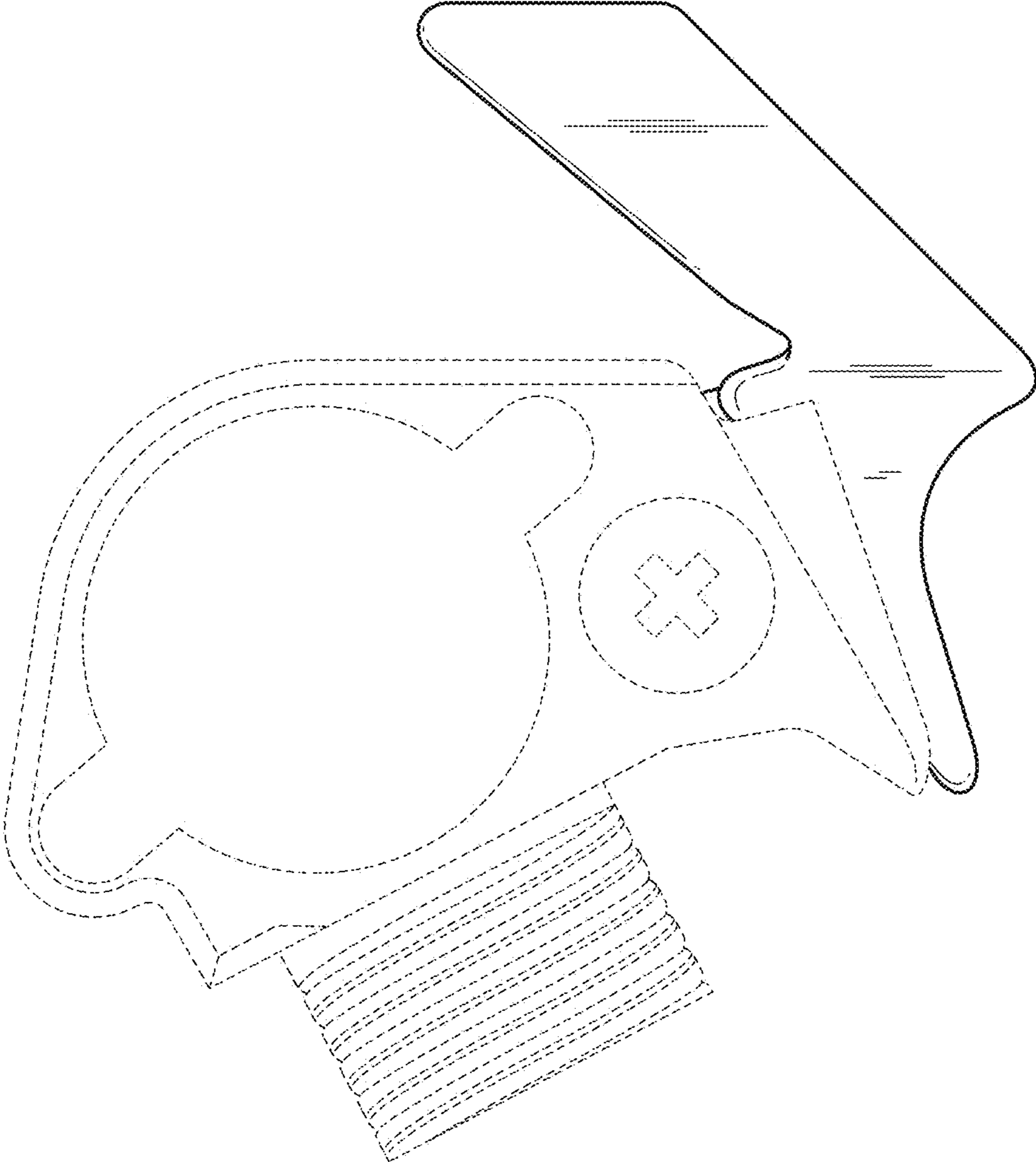


FIG. 5

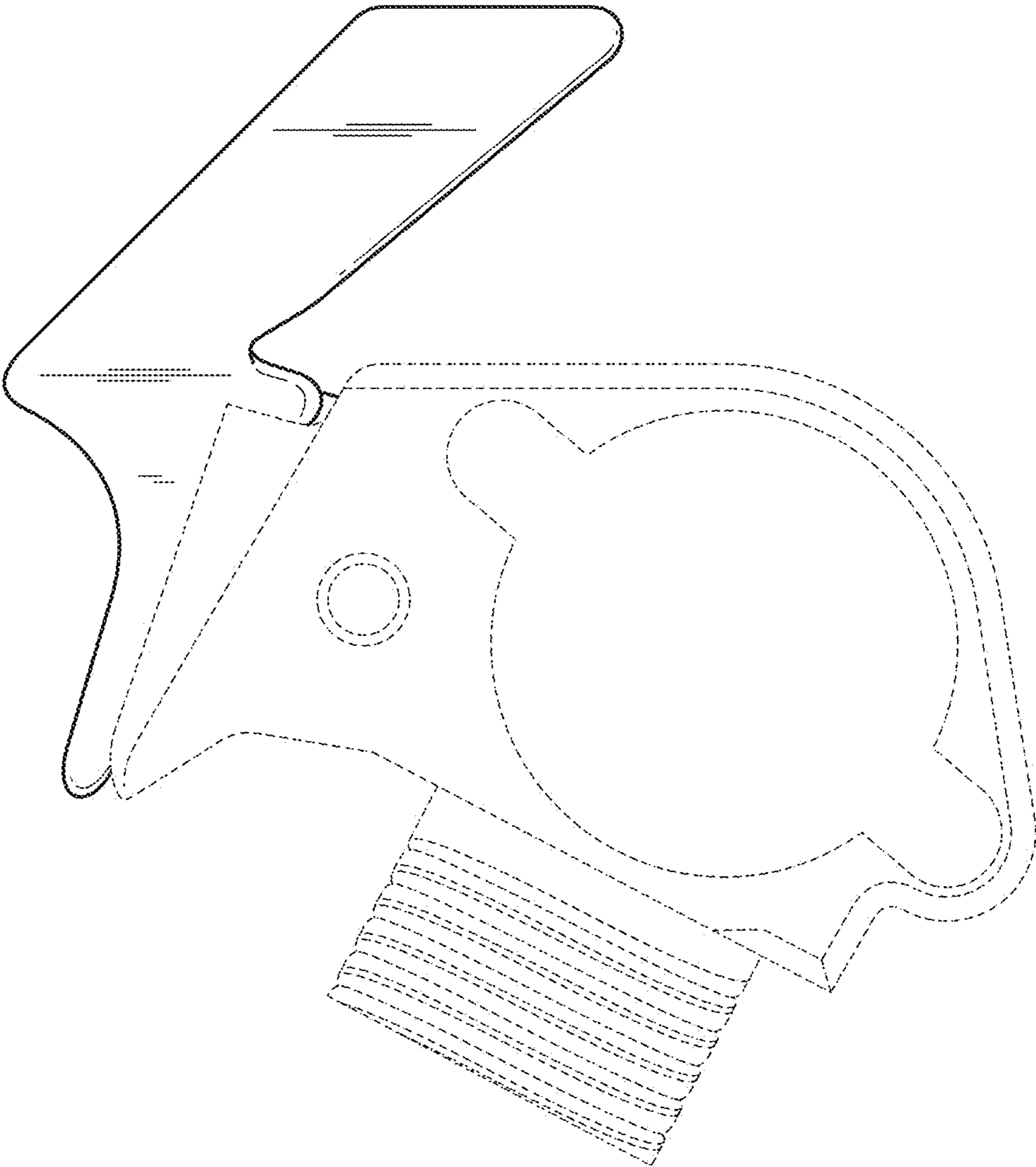


FIG. 6

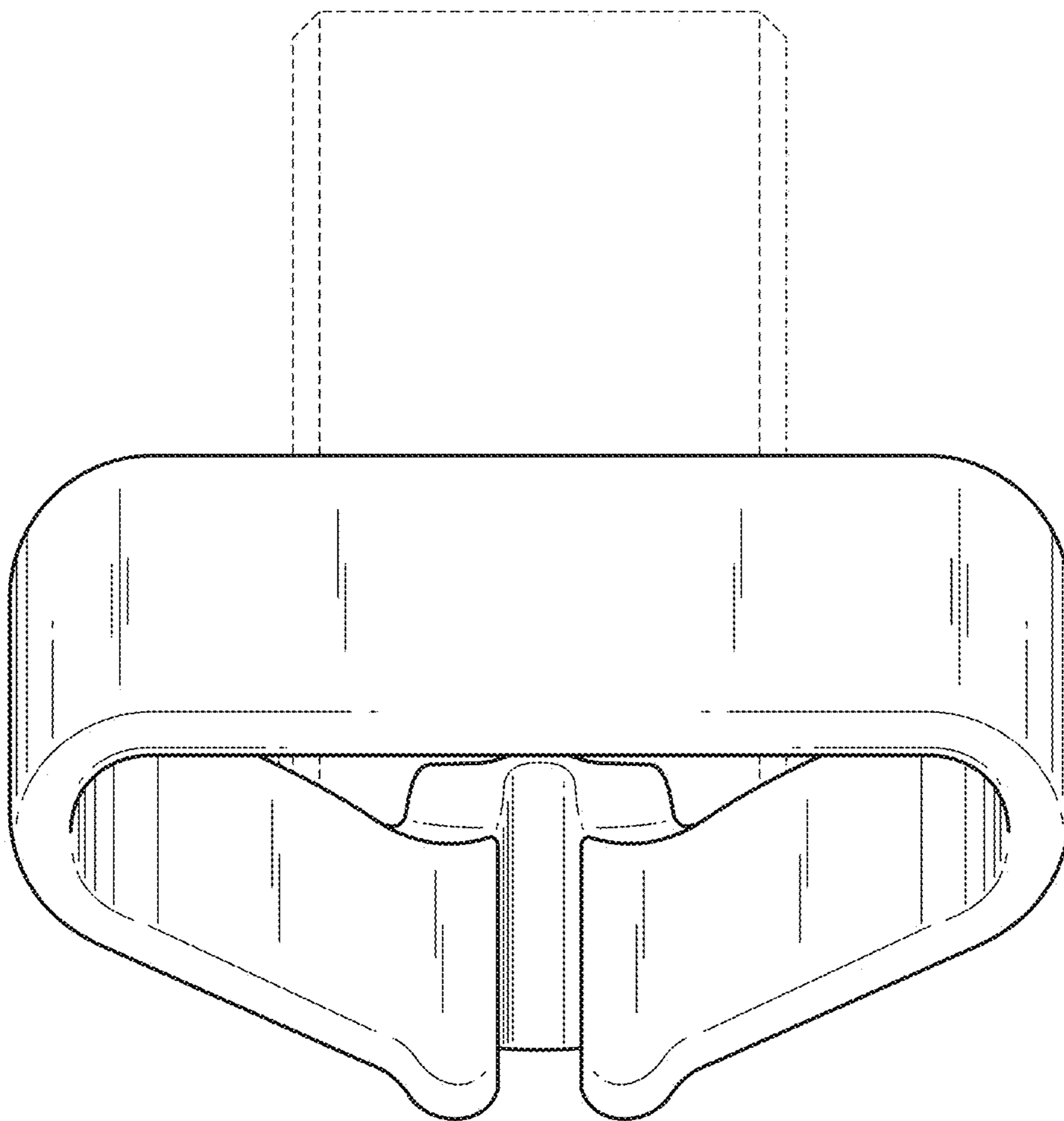


FIG. 7

