



US00D730480S

(12) **United States Design Patent**
Dayan

(10) **Patent No.:** **US D730,480 S**

(45) **Date of Patent:** **** May 26, 2015**

(54) **ELECTRONIC INSECT KILLING DEVICE**

(71) Applicant: **Clear Innovation LLC**, New York, NY
(US)

(72) Inventor: **Maurice S. Dayan**, Oakhurst, NJ (US)

(73) Assignee: **CLEAR INNOVATION LLC**

(**) Term: **14 Years**

(21) Appl. No.: **29/490,027**

(22) Filed: **May 6, 2014**

(51) **LOC (10) Cl.** **22-06**

(52) **U.S. Cl.**
USPC **D22/122**

(58) **Field of Classification Search**
CPC A01M 1/22; A01M 1/223; A01M 1/226
USPC D22/119-124; 43/112-114, 121, 124,
43/131, 132.1, 137
See application file for complete search history.

(56) **References Cited**

U.S. PATENT DOCUMENTS

4,959,923 A * 10/1990 Aiello et al. 43/112
D323,015 S * 1/1992 Brookshire D22/123
D367,913 S * 3/1996 Hafford et al. D22/123

D400,635 S * 11/1998 Kinzler et al. D22/122
D450,802 S * 11/2001 Aiello D22/123
D465,543 S * 11/2002 Bertani D22/123
8,181,385 B2 * 5/2012 Mars 43/112
8,341,873 B2 * 1/2013 Frisch 43/113

* cited by examiner

Primary Examiner — Catheri Oliver-Garcia

(74) *Attorney, Agent, or Firm* — The Belles Group, P.C.

(57) **CLAIM**

The ornamental design for an electronic insect killing device and portions thereof, as shown and described.

DESCRIPTION

FIG. 1 is a front right perspective view of an electronic insect killing device and portions thereof, according to the new design;

FIG. 2 is a front view thereof;

FIG. 3 is a rear view thereof;

FIG. 4 is a right side view thereof;

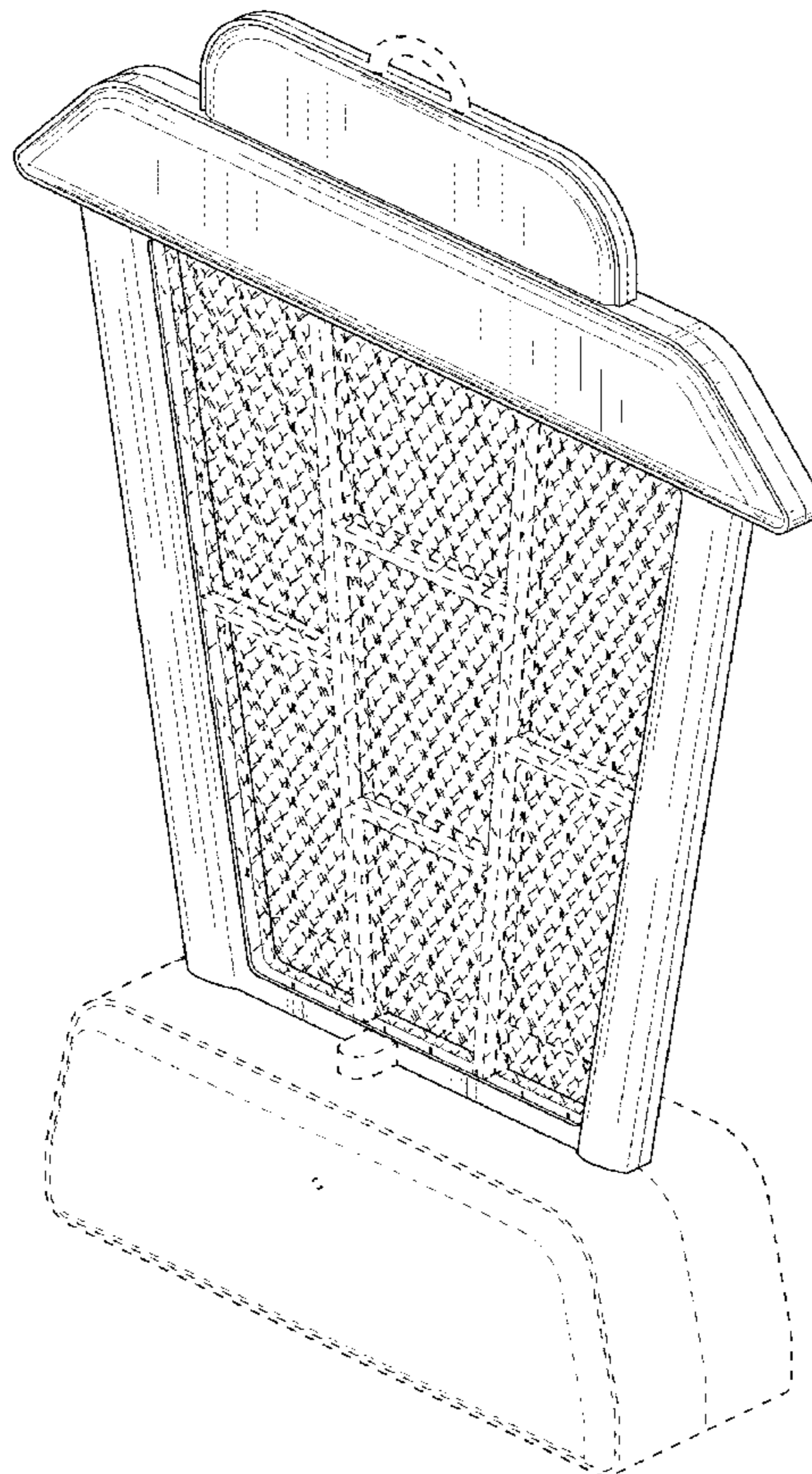
FIG. 5 is a left side view thereof;

FIG. 6 is a top plan view thereof; and,

FIG. 7 is a bottom plan view thereof.

All broken lines shown in the drawings are for environmental purposes only and form no part of the claimed design.

1 Claim, 5 Drawing Sheets



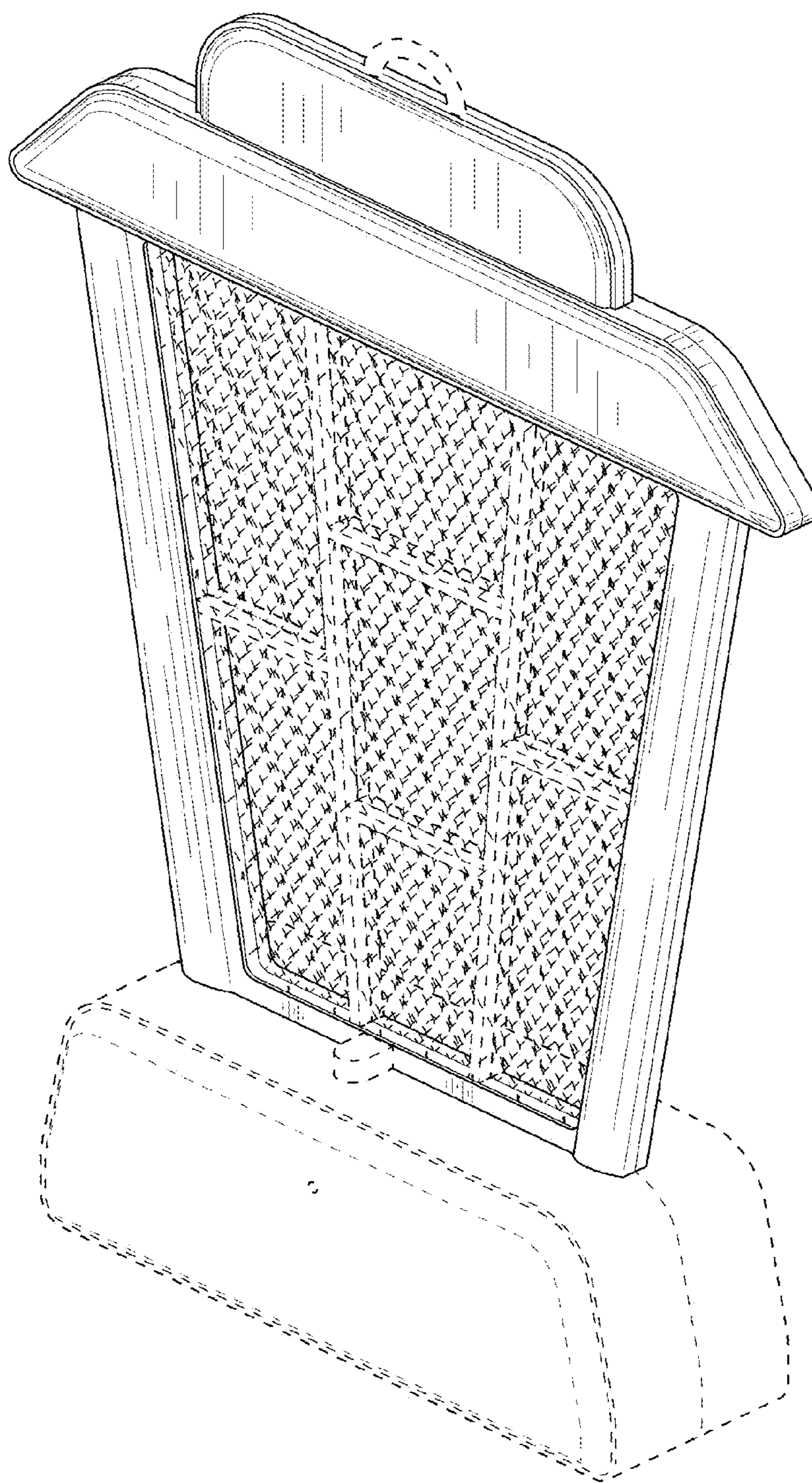


FIG. 1

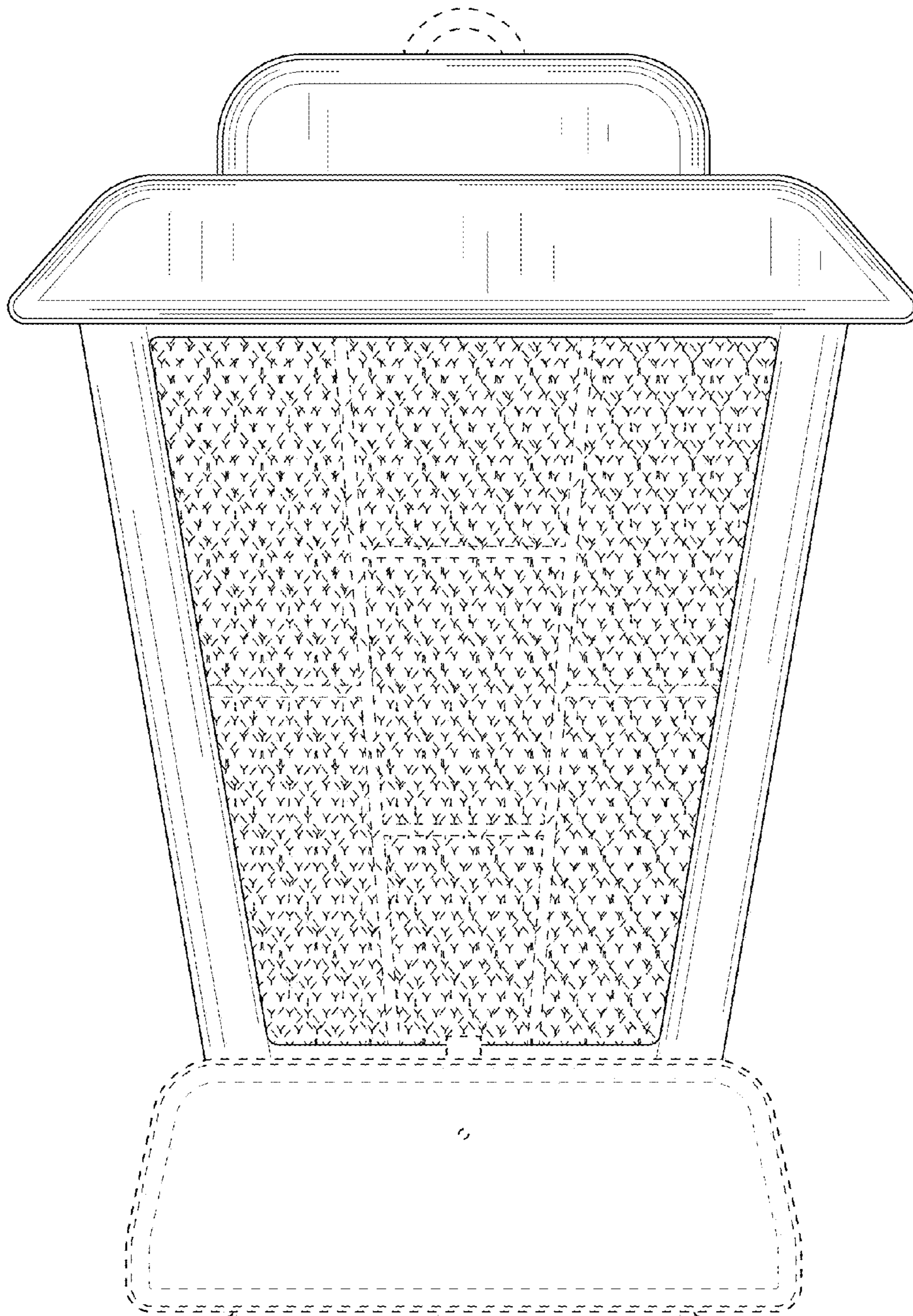


FIG. 2

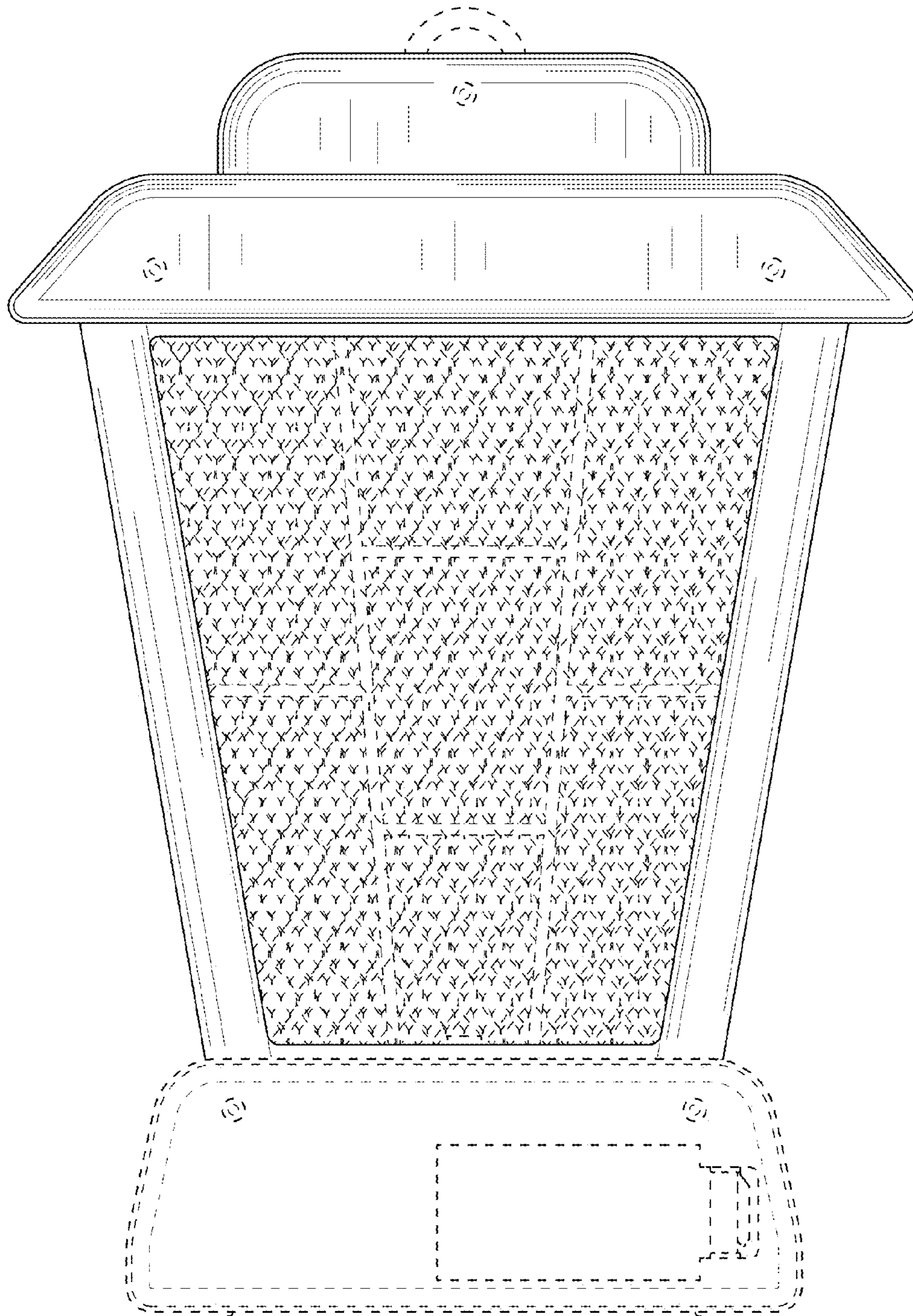


FIG. 3

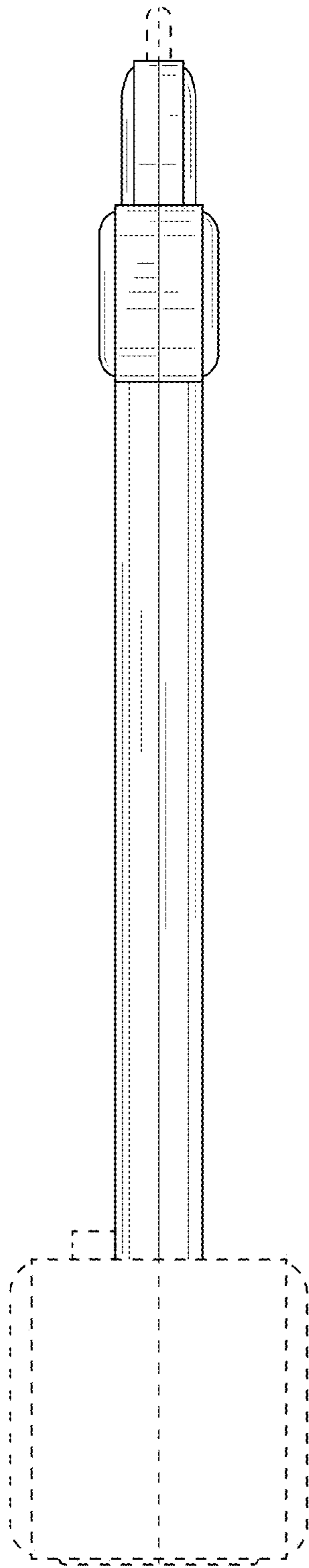


FIG. 4

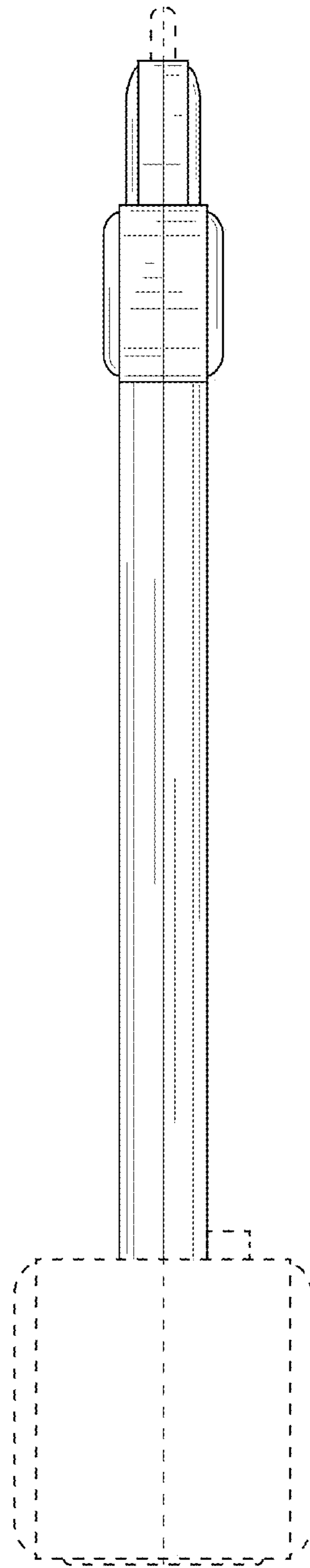


FIG. 5

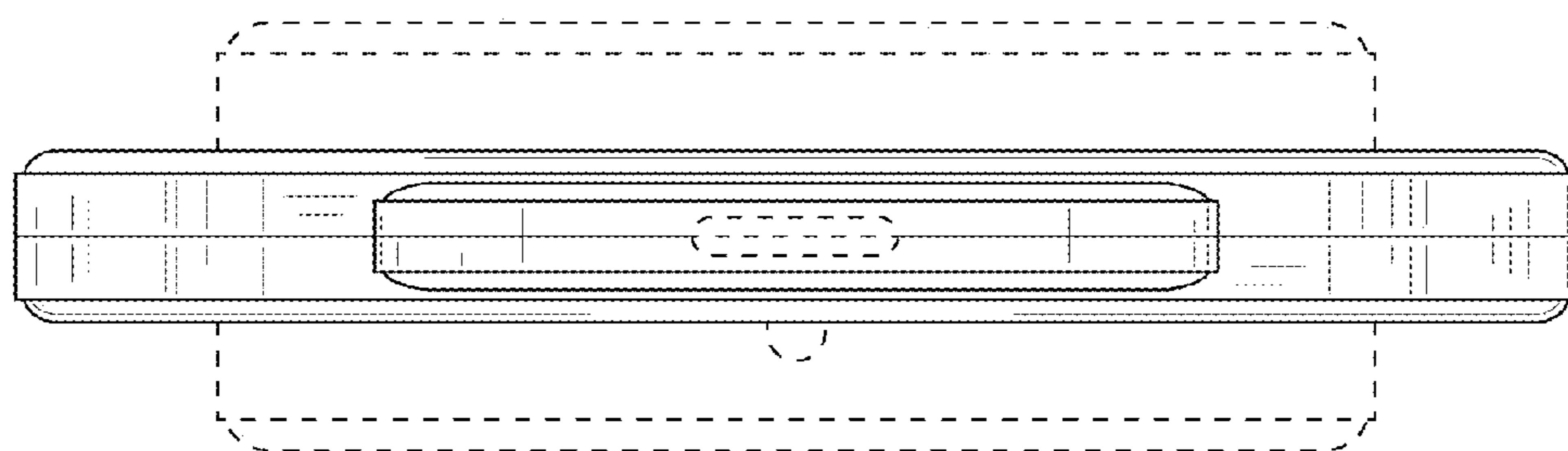


FIG. 6

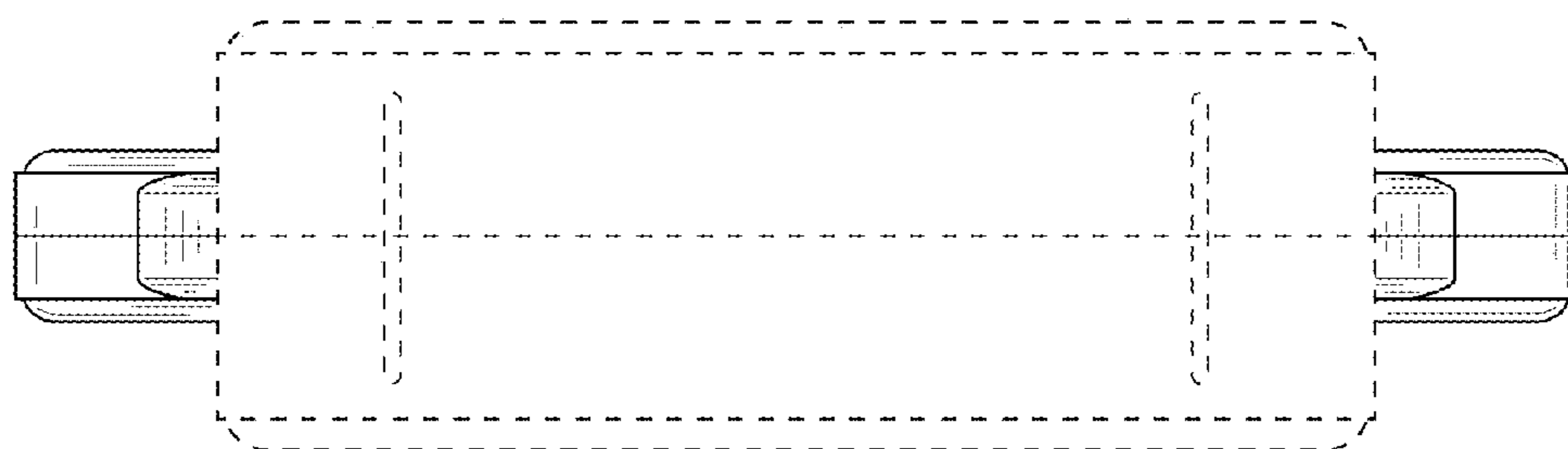


FIG. 7