



US00D730479S

(12) **United States Design Patent**
Faifer

(10) **Patent No.:** **US D730,479 S**
(45) **Date of Patent:** **** May 26, 2015**

(54) **SELF DEFENSE IMPLEMENT AND HOLSTER**

(71) Applicant: **Sagi Faifer**, Mishmar Hashiva (IL)

(72) Inventor: **Sagi Faifer**, Mishmar Hashiva (IL)

(**) Term: **14 Years**

(21) Appl. No.: **29/443,094**

(22) Filed: **Jan. 13, 2013**

(51) **LOC (10) Cl.** **22-02**

(52) **U.S. Cl.**
USPC **D22/117**

(58) **Field of Classification Search**
USPC D22/117; 463/47.2; 482/12; D8/17-26,
D8/105; 30/151, 164.7
See application file for complete search history.

(56) **References Cited**

U.S. PATENT DOCUMENTS

D503,451 S * 3/2005 Tal D22/117
D555,752 S * 11/2007 Pambuan D22/117

(Continued)

Primary Examiner — Catheri Oliver-Garcia

(74) *Attorney, Agent, or Firm* — Law Office of Arthur M. Antonelli, PLLC

(57) **CLAIM**

The ornamental design for a self defense implement and holster, as shown and described.

DESCRIPTION

FIG. 1 is a top front perspective view of a self defense implement and holster in accordance with my new design, the self defense implement and holster being shown within a cap and visor;

FIG. 2 is a bottom front perspective view of the self defense implement and holster of FIG. 1, the self defense implement and holster being shown within a cap and visor;

FIG. 3 is a top front perspective view of the self defense implement and holster of FIG. 1;

FIG. 4 is a bottom rear perspective view of the self defense implement and holster of FIG. 1;

FIG. 5 is a top view of the self defense implement and holster of FIG. 1;

FIG. 6 is a front view of the self defense implement and holster of FIG. 1;

FIG. 7 is a rear view of the self defense implement and holster of FIG. 1;

FIG. 8 is a bottom view of the self defense implement and holster of FIG. 1;

FIG. 9 is a right side view of the self defense implement and holster of FIG. 1 ;

FIG. 10 is a left side view of the self defense implement and holster of FIG. 1;

FIG. 11 is a top front perspective view of the self defense implement and holster of FIG. 1 with the self defense implement removed from the holster and shown on the left;

FIG. 12 is a bottom rear perspective view of the self defense implement and holster of FIG. 1 with the self defense implement removed from the holster and shown on the right;

FIG. 13 is a top view of the self defense implement and holster of FIG. 1 with the self defense implement removed from the holster and shown below the holster;

FIG. 14 is a front view of the self defense implement and holster of FIG. 1 with the self defense implement removed from the holster and shown below the holster;

FIG. 15 is a rear view of the self defense implement and holster of FIG. 1 with the self defense implement removed from the holster and shown below the holster;

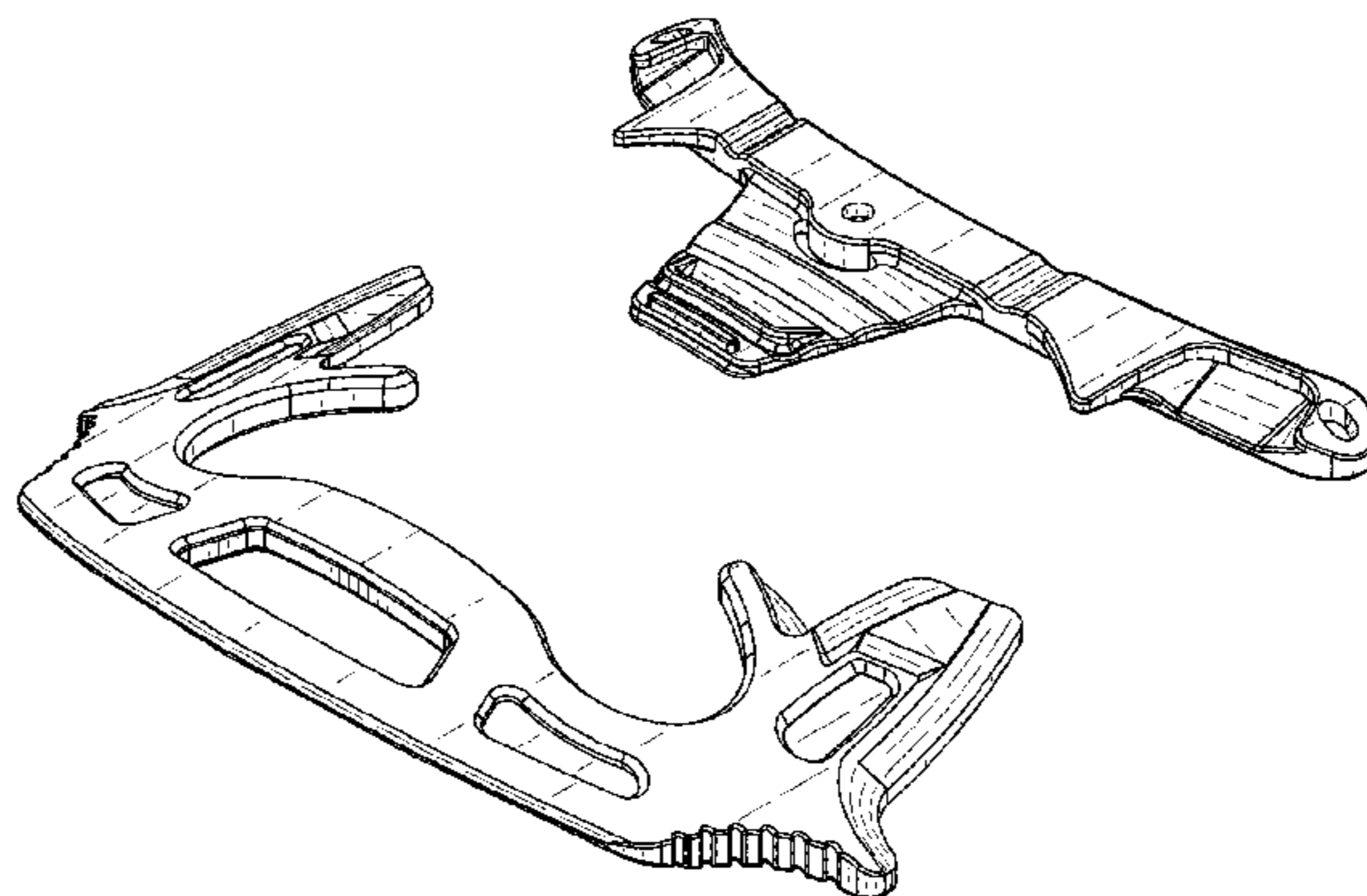
FIG. 16 is a bottom view of the self defense implement and holster of FIG. 1 with the self defense implement removed from the holster and shown above the holster;

FIG. 17 is a right side view of the self defense implement and holster of FIG. 1 with the self defense implement removed from the holster and shown on the left; and,

FIG. 18 is a left side view of the self defense implement and holster of FIG. 1 with the self defense implement removed from the holster and shown on the right.

All portions shown in broken lines are environmental and illustrative only and form no part of the claimed design.

1 Claim, 9 Drawing Sheets



(56)

References Cited

U.S. PATENT DOCUMENTS

D658,264 S *	4/2012	Richter	D22/117	D706,382 S *	6/2014	Charlton	D22/117
8,555,514 B2 *	10/2013	Jensen	30/303	2009/0203452 A1 *	8/2009	Cory, Jr.	463/47.2
				2013/0047317 A1	2/2013	Hanover et al.	

* cited by examiner

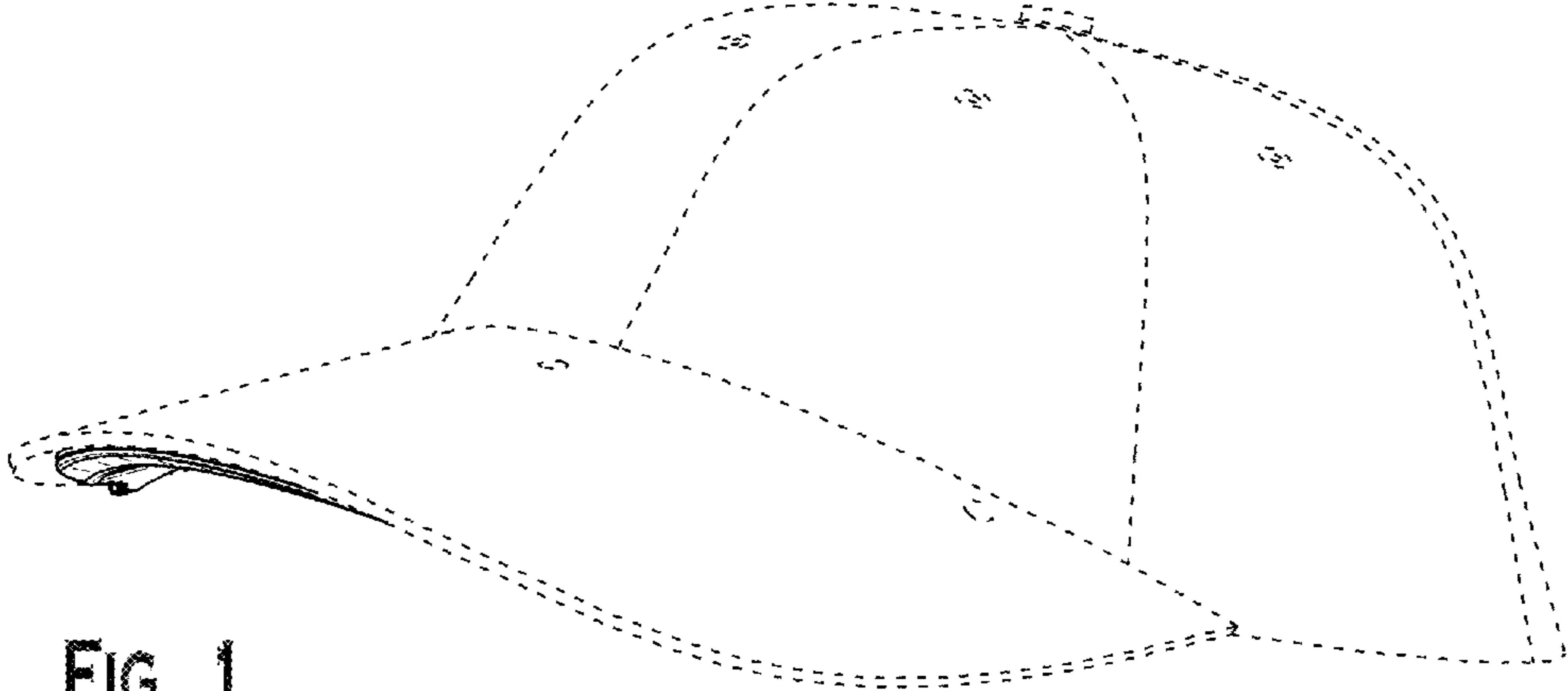


FIG. 1

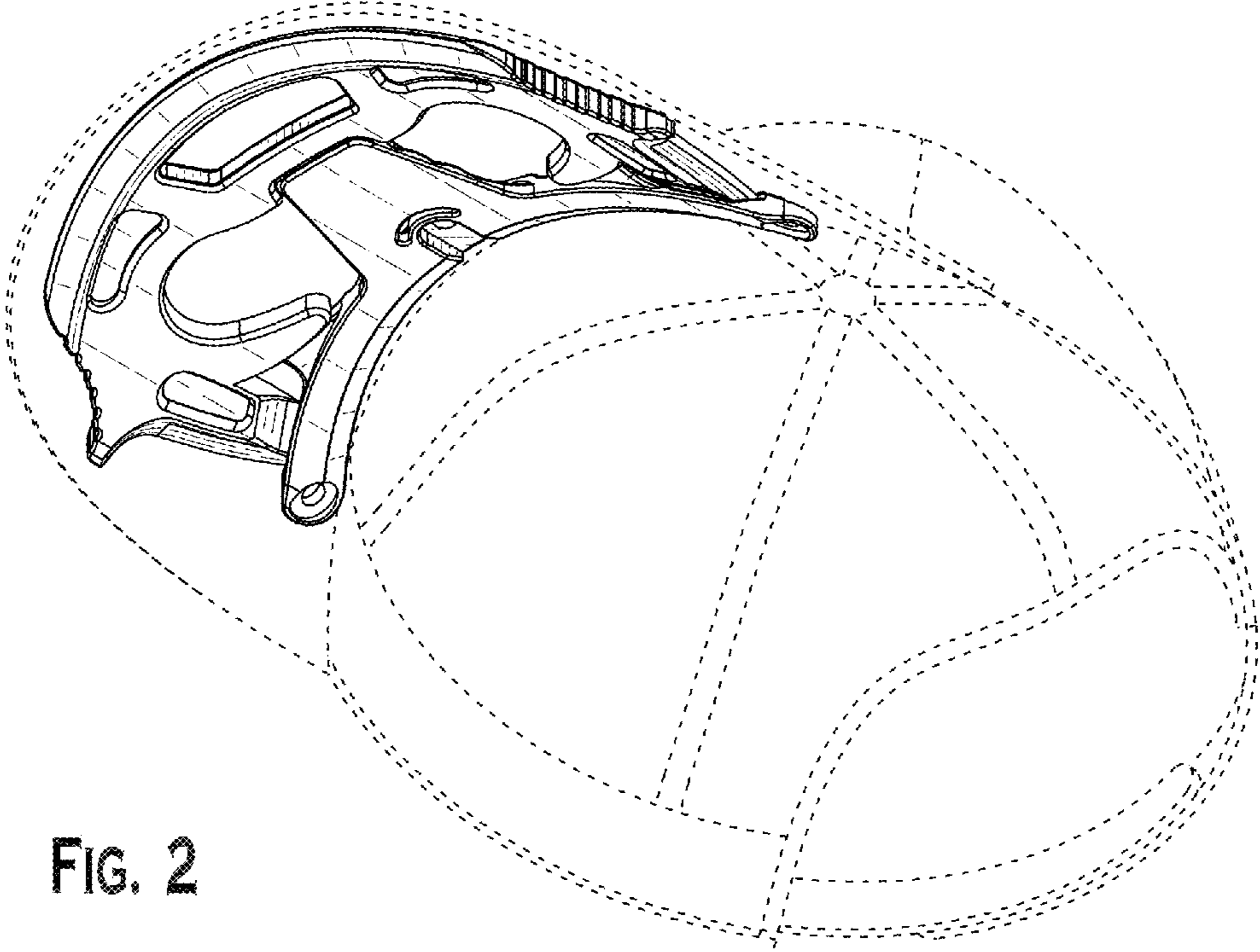


FIG. 2

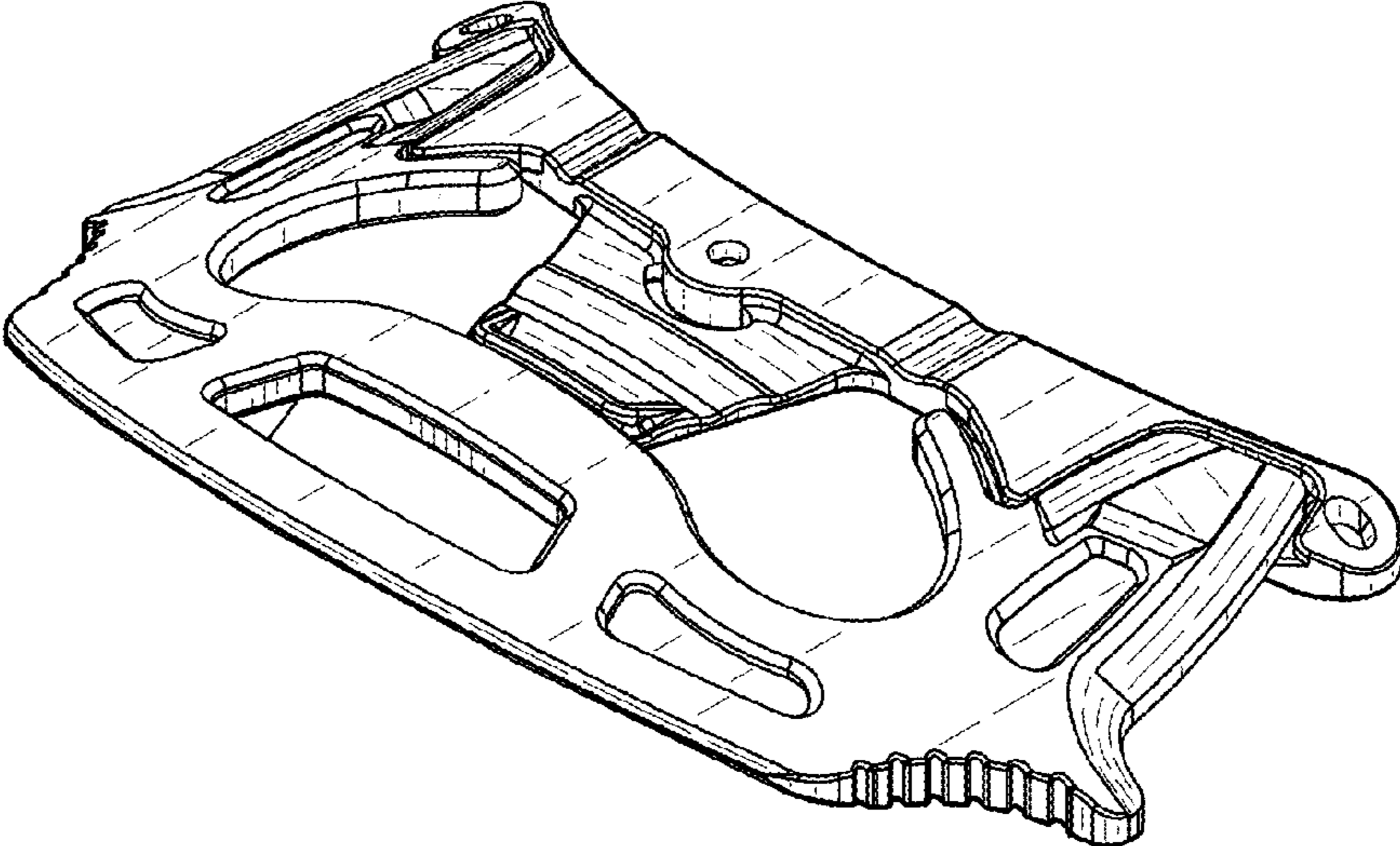


FIG. 3

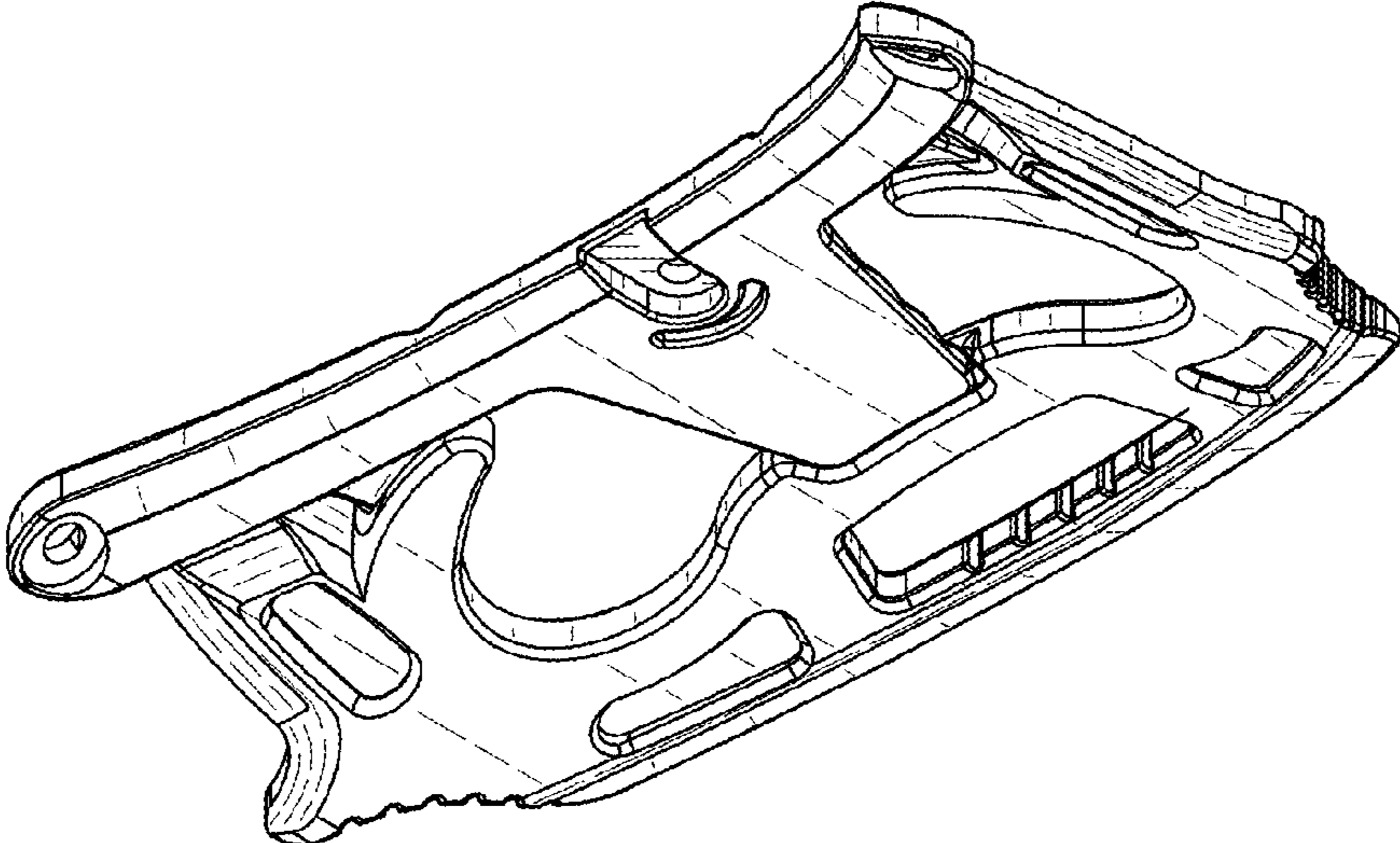


FIG. 4

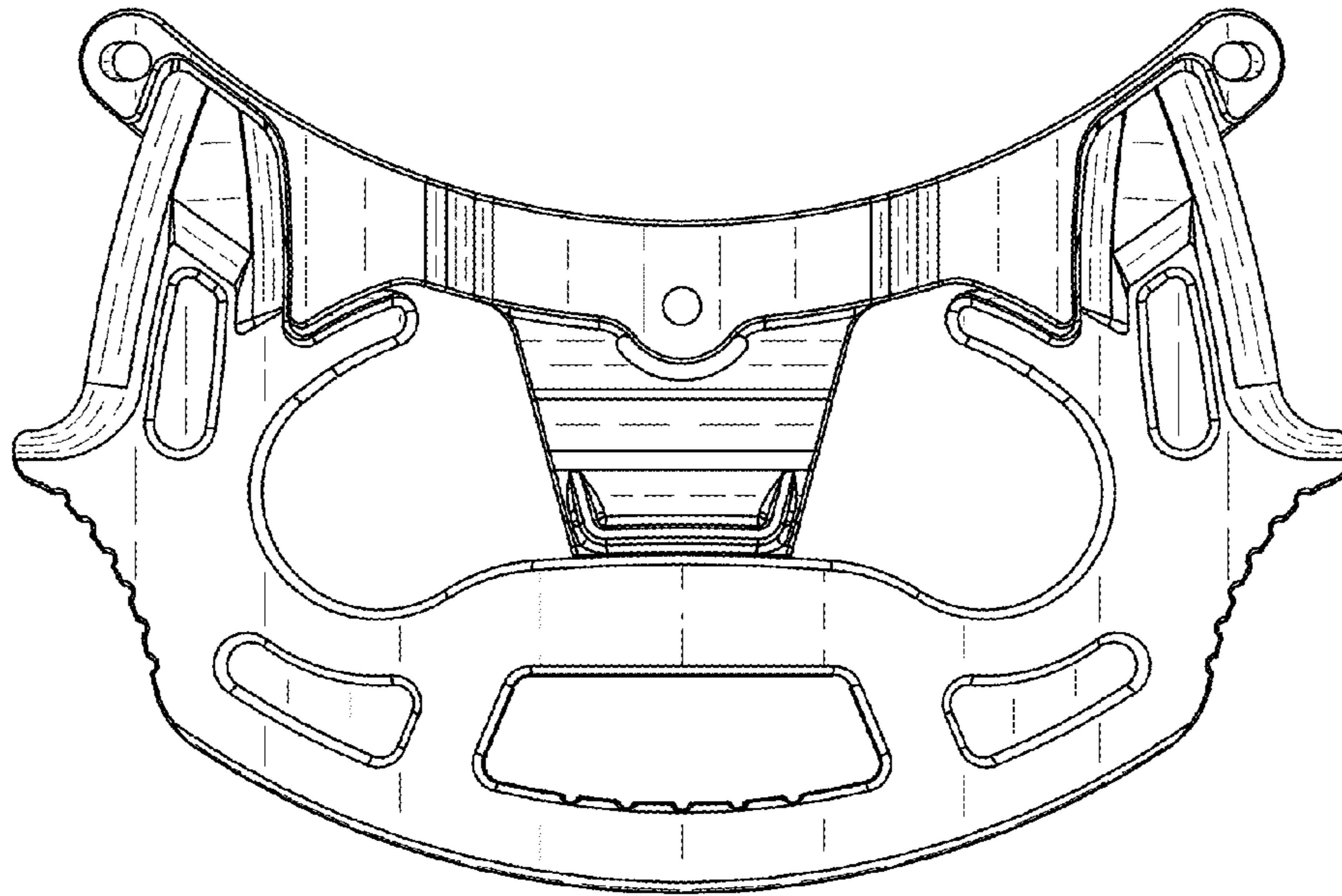


FIG. 5

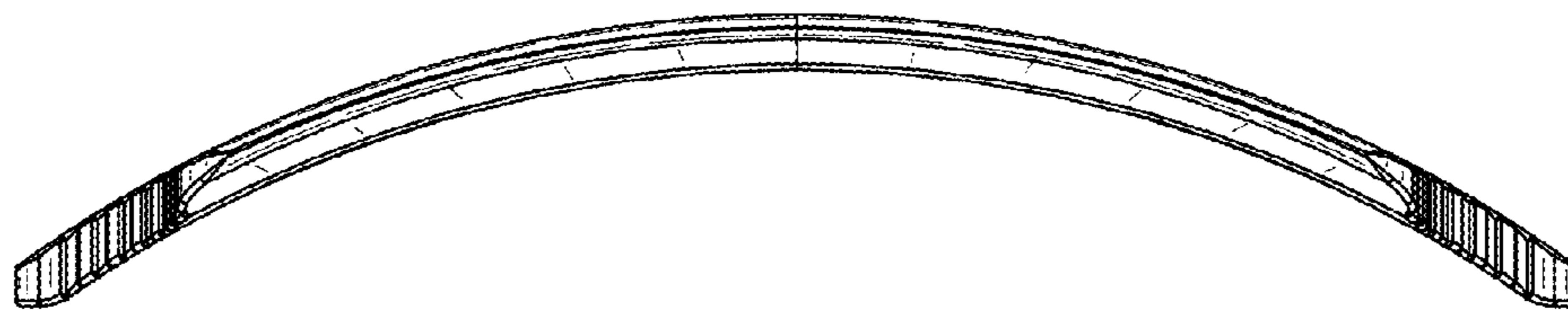


FIG. 6

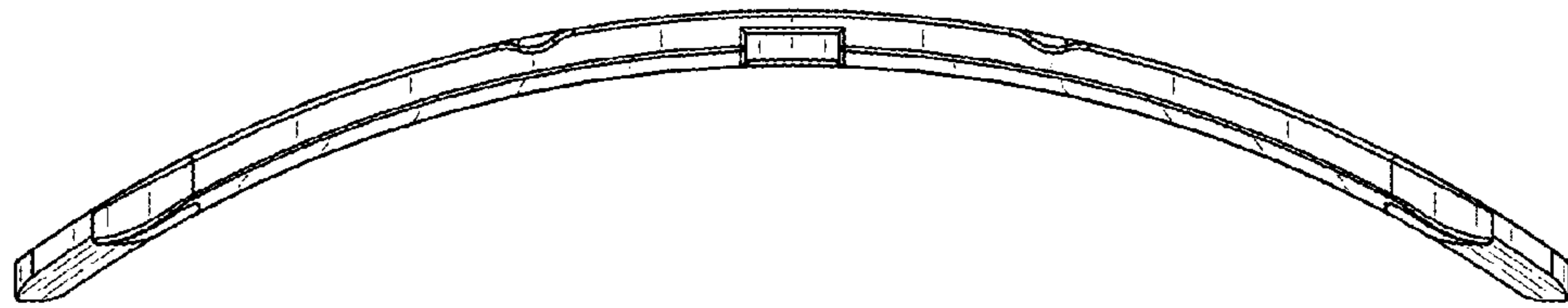


FIG. 7

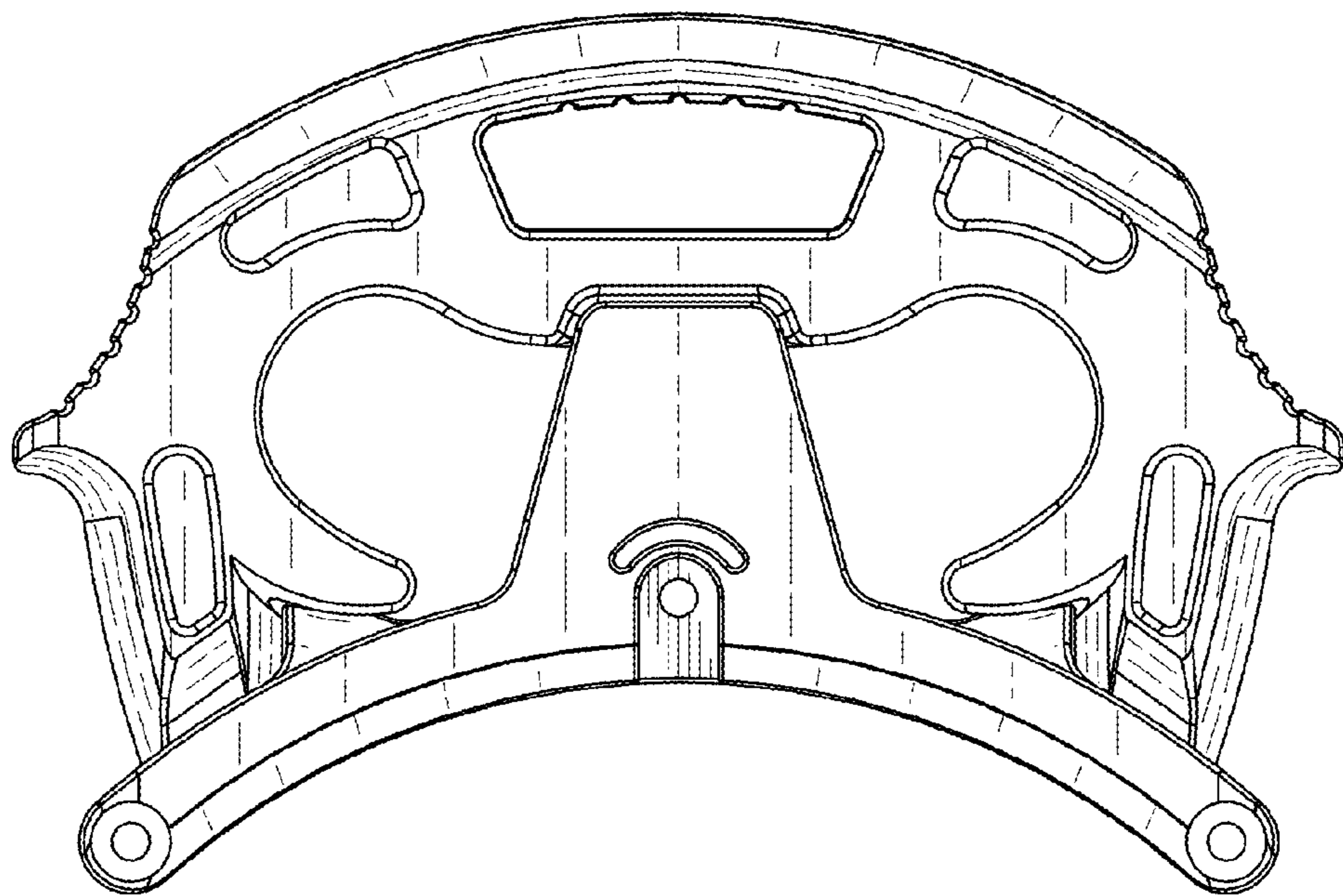


FIG. 8

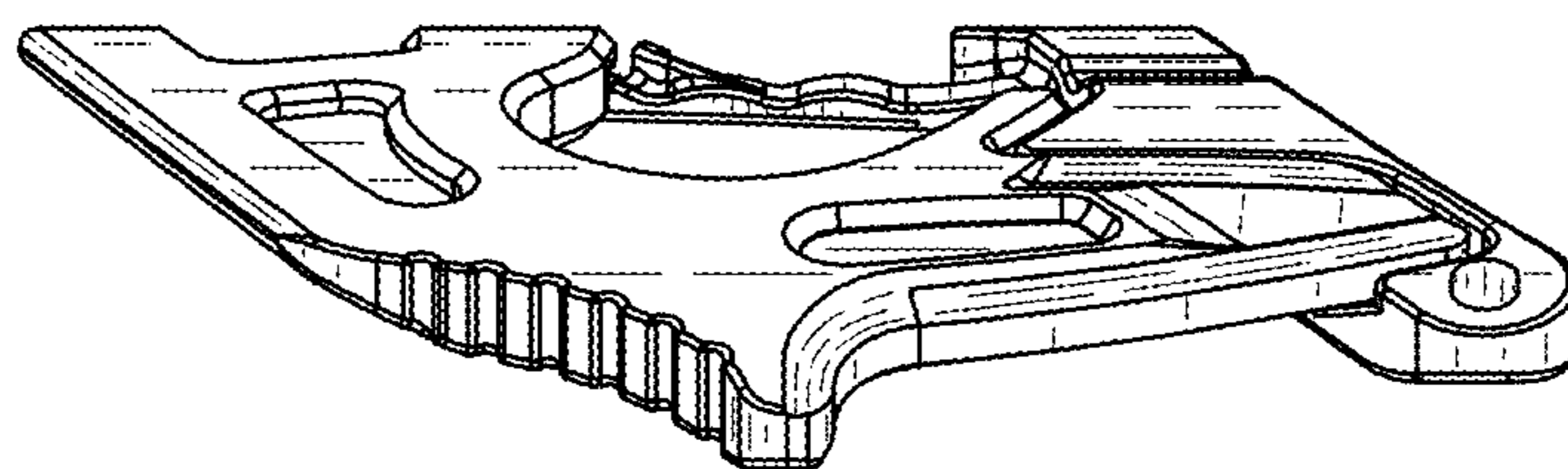


FIG. 9

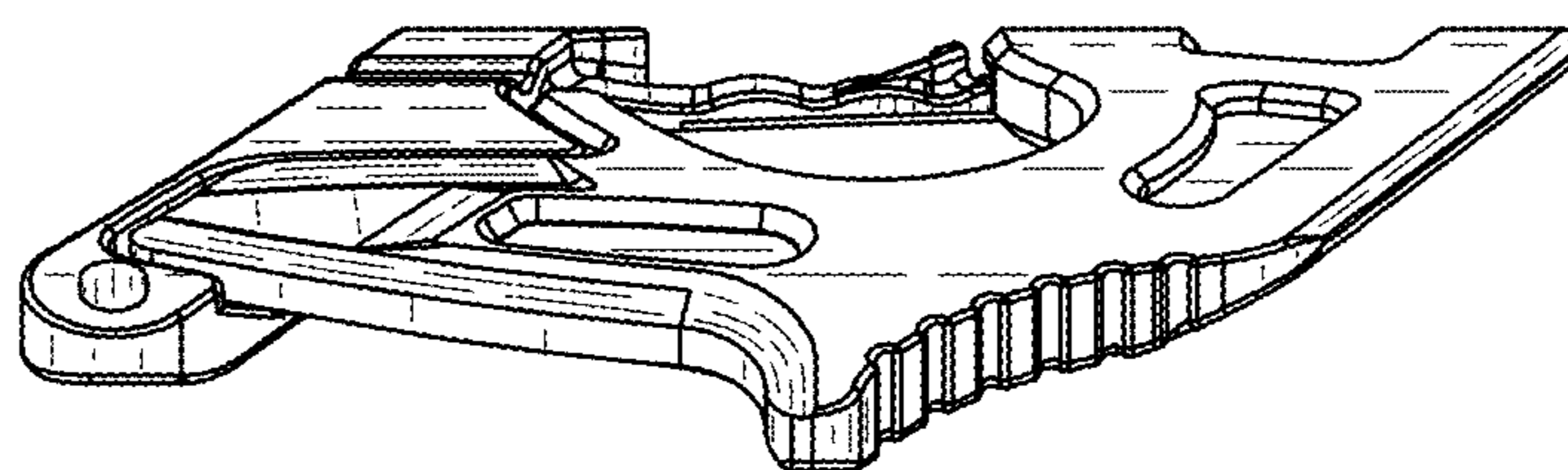
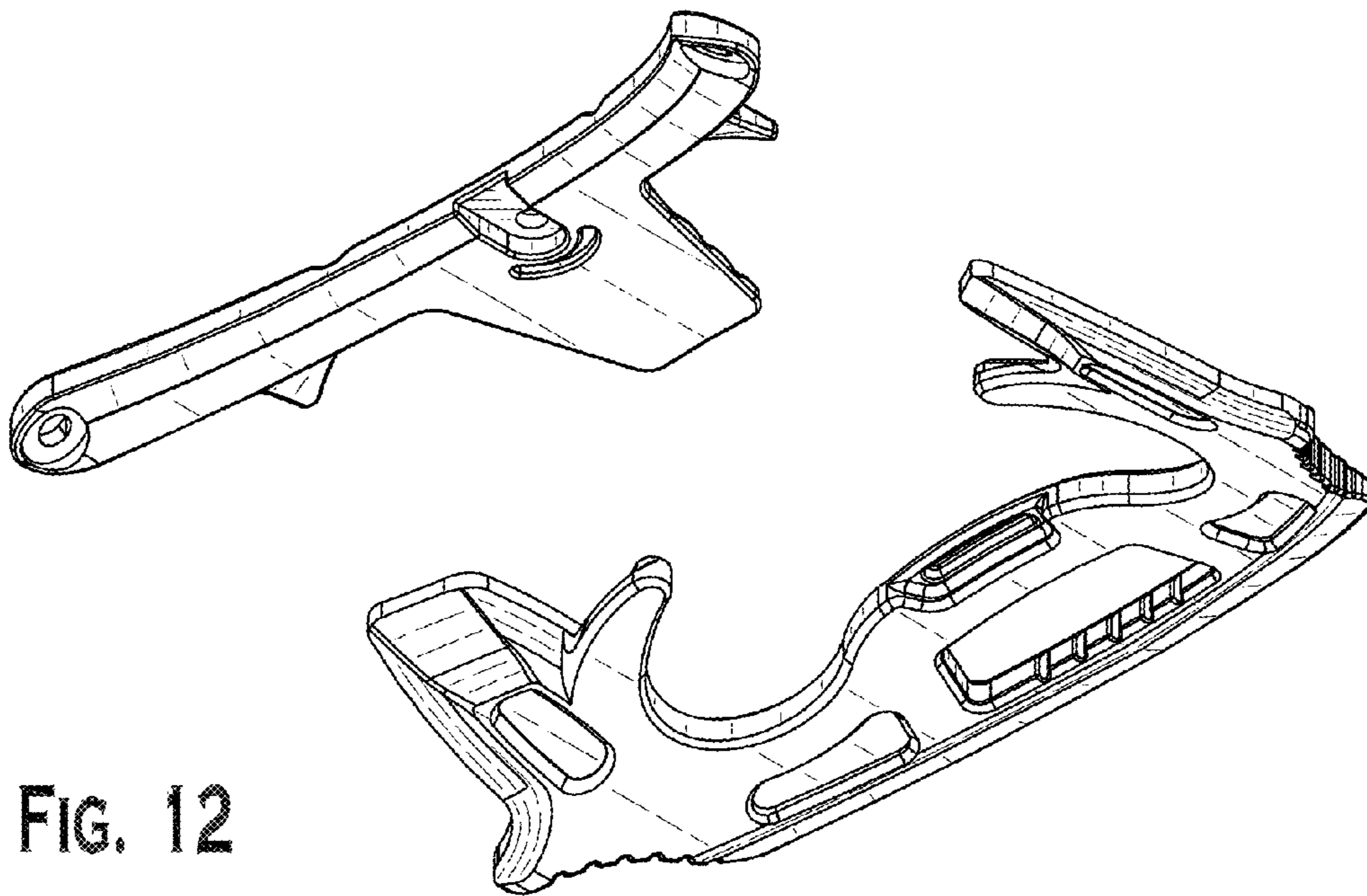
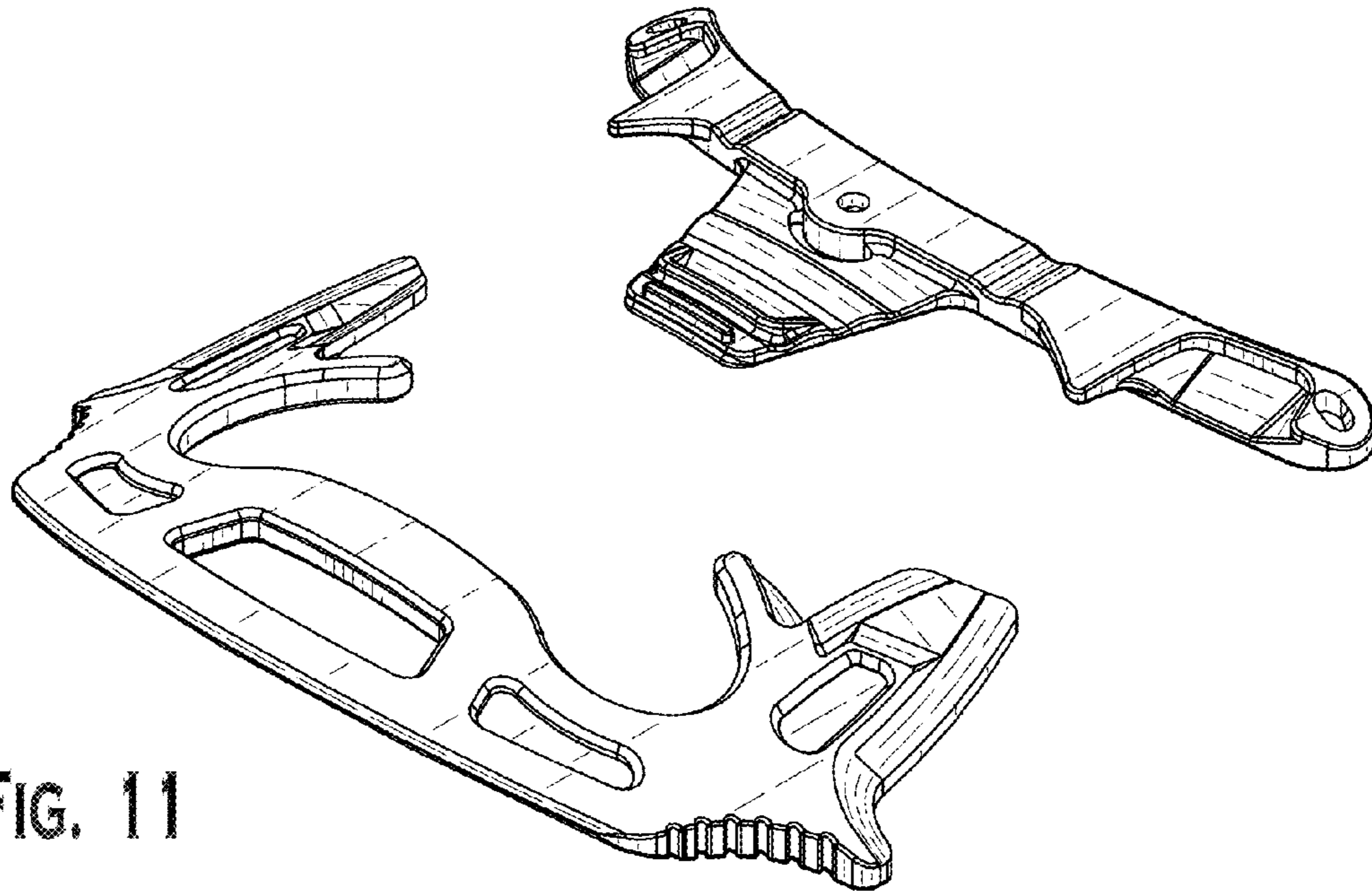


FIG. 10



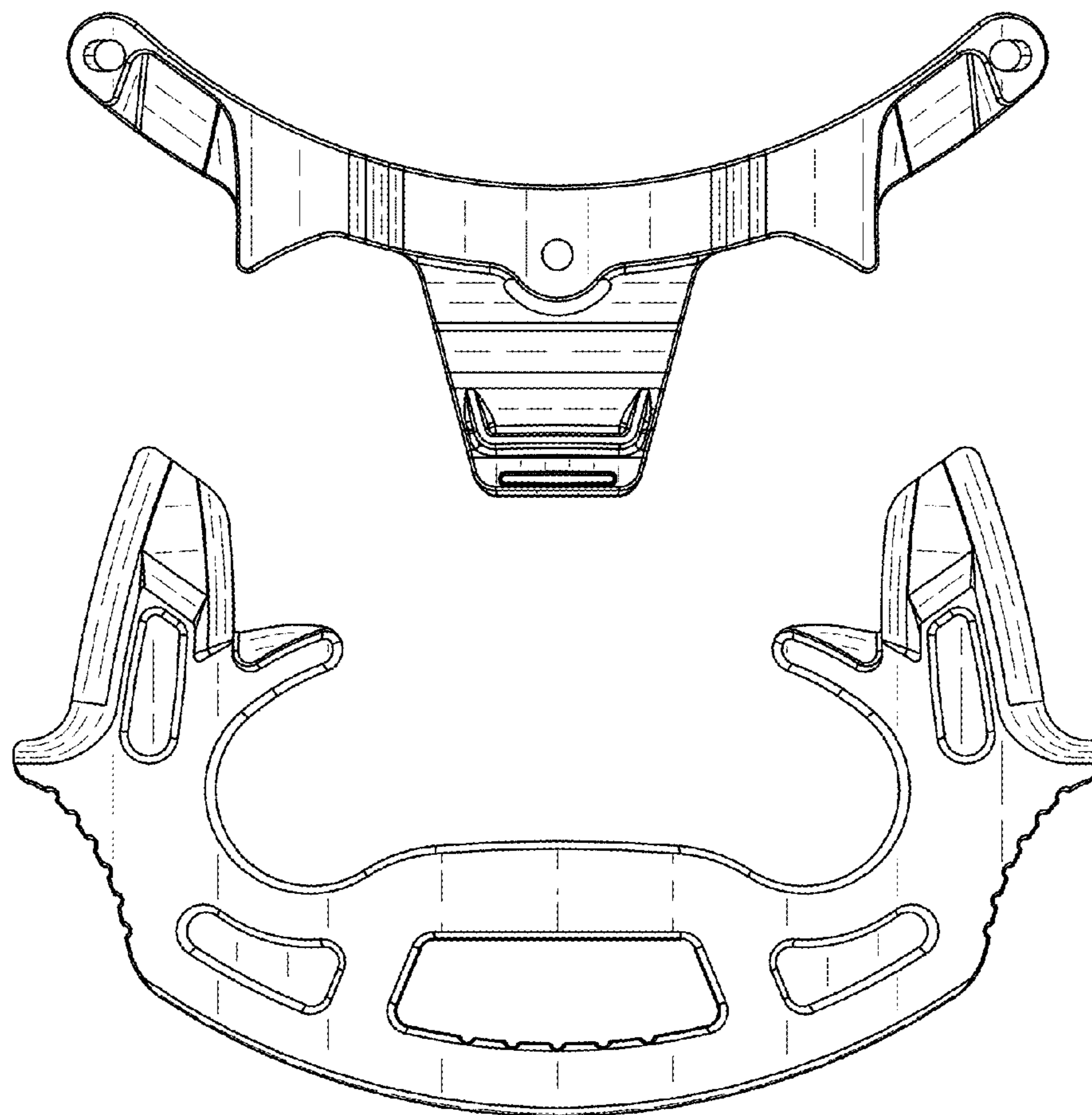


FIG. 13

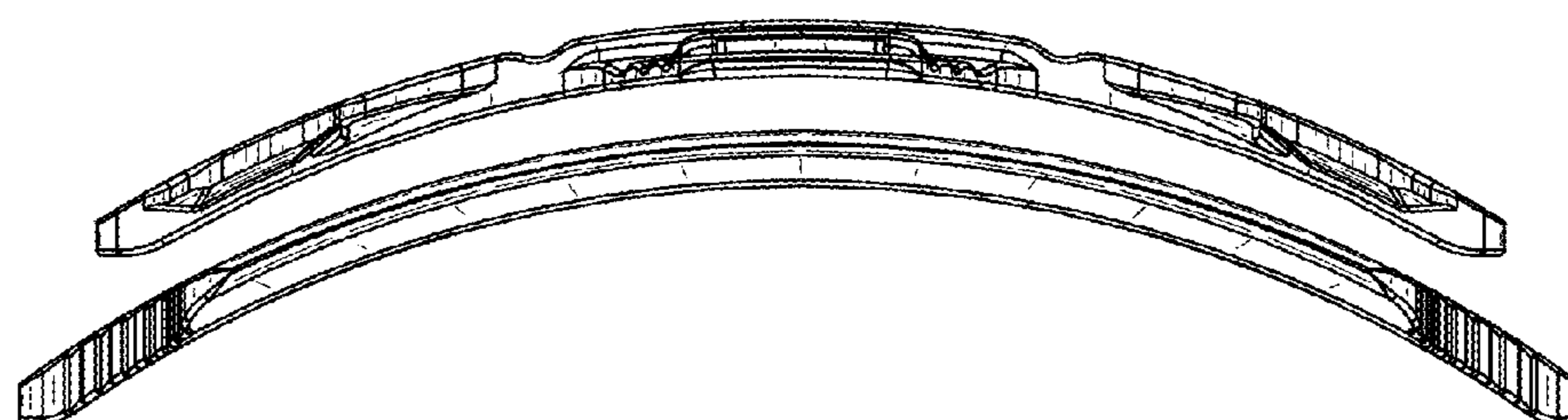


FIG. 14

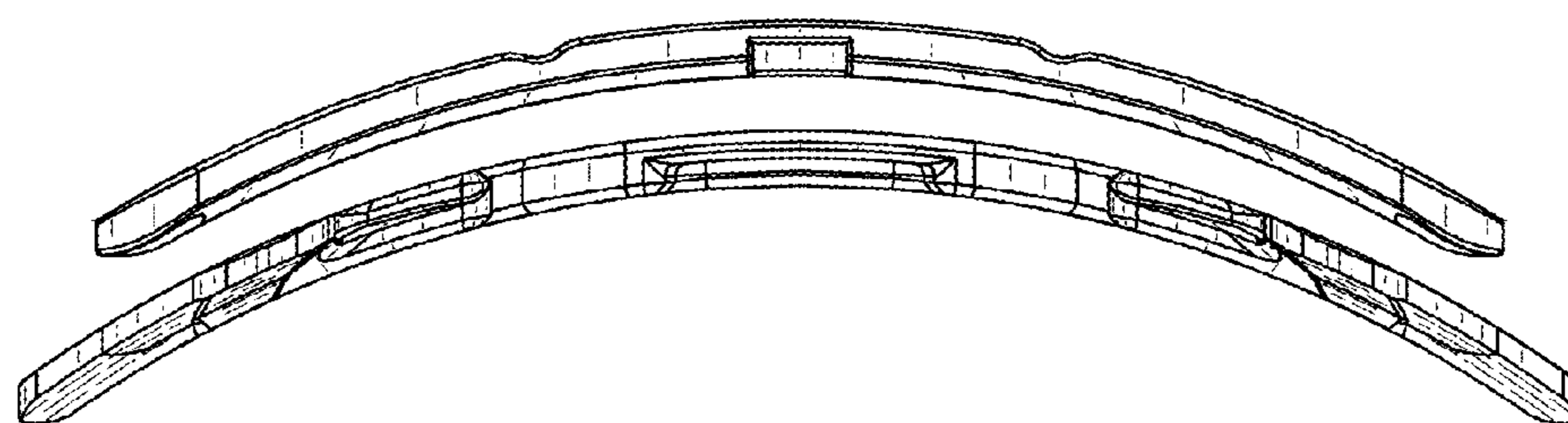


FIG. 15

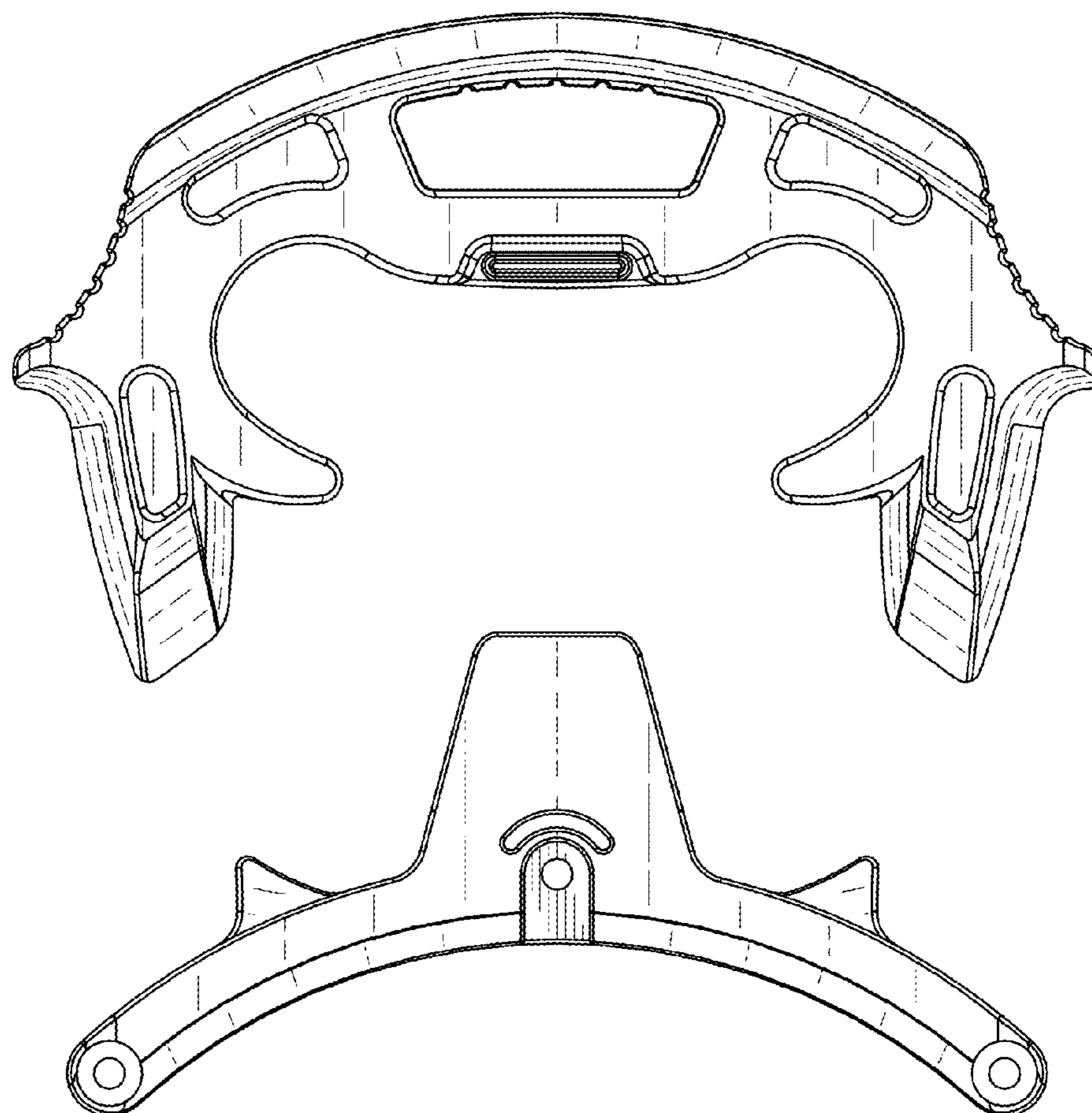


FIG. 16

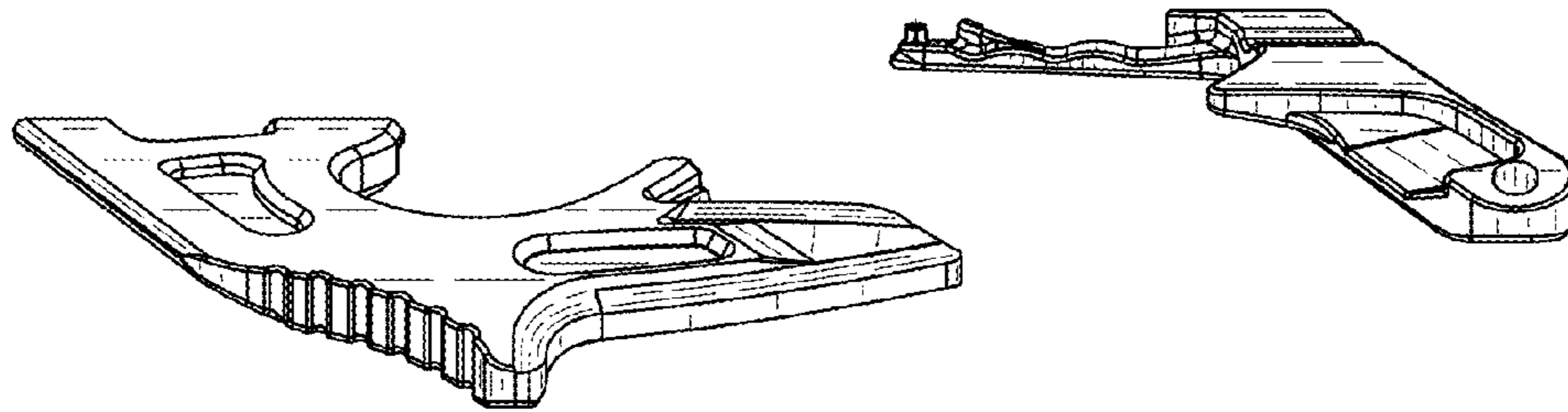


FIG. 17

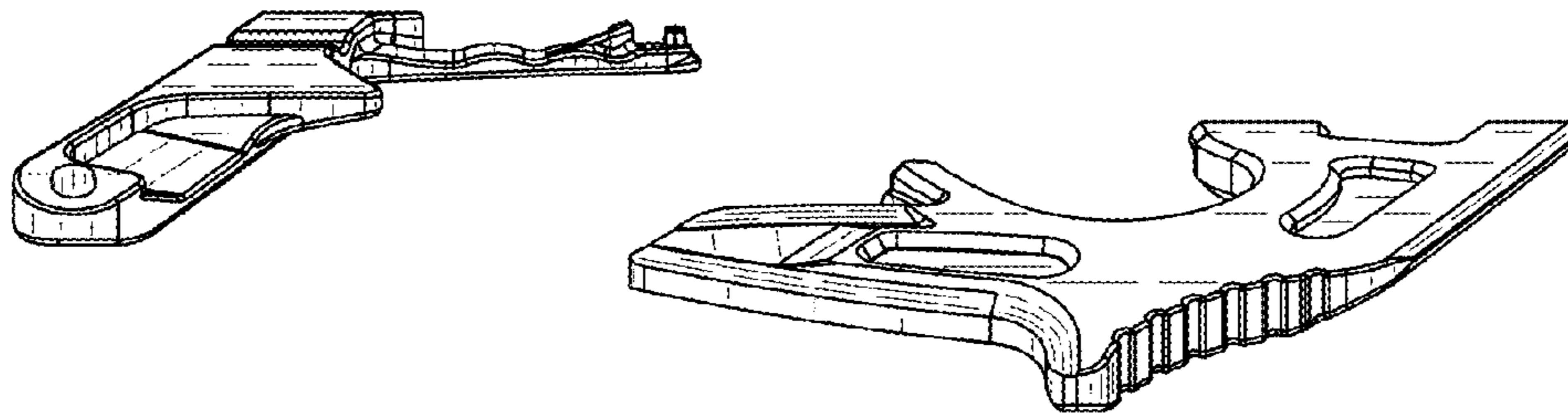


FIG. 18