



US00D730475S

(12) **United States Design Patent**
Iannello et al.

(10) **Patent No.:** **US D730,475 S**

(45) **Date of Patent:** **** May 26, 2015**

(54) **SINGLE SHELL HOLDER**

(56) **References Cited**

(71) Applicant: **ILLINOIS TOOL WORKS INC.**,
Glenview, IL (US)

U.S. PATENT DOCUMENTS

(72) Inventors: **Christopher A. J. Iannello**, Rolling
Meadows, IL (US); **Martin J. Nilsen**,
Hampshire, IL (US); **Michael B.**
Grimm, Evanston, IL (US); **Sean P.**
Forrest, Park Ridge, IL (US)

160,420	A *	3/1875	Goss	224/678
549,710	A *	11/1895	Evans	224/678
2,477,806	A *	8/1949	Isaacson	224/678
D363,525	S *	10/1995	Montefusco	D22/108
5,813,157	A *	9/1998	Scott et al.	42/71.01
5,924,613	A *	7/1999	Johnson et al.	224/195
D463,117	S *	9/2002	Carter	D3/226
8,479,430	B1 *	7/2013	Masten	42/85
8,931,633	B2 *	1/2015	Martin, III	206/3
2012/0285066	A1 *	11/2012	Chvala	42/90
2013/0074392	A1 *	3/2013	McCaffery	42/90
2014/0190058	A1 *	7/2014	Ballard	42/90

(73) Assignee: **Illinois Tool Works Inc.**, Glenview, IL
(US)

* cited by examiner

(**) Term: **14 Years**

Primary Examiner — Michael A Pratt

(21) Appl. No.: **29/481,744**

(74) *Attorney, Agent, or Firm* — Paul F. Donovan

(22) Filed: **Feb. 10, 2014**

(57) **CLAIM**

(51) **LOC (10) Cl.** **22-01**

The ornamental design for a single shell holder, as shown and described.

(52) **U.S. Cl.**

DESCRIPTION

USPC **D22/108**

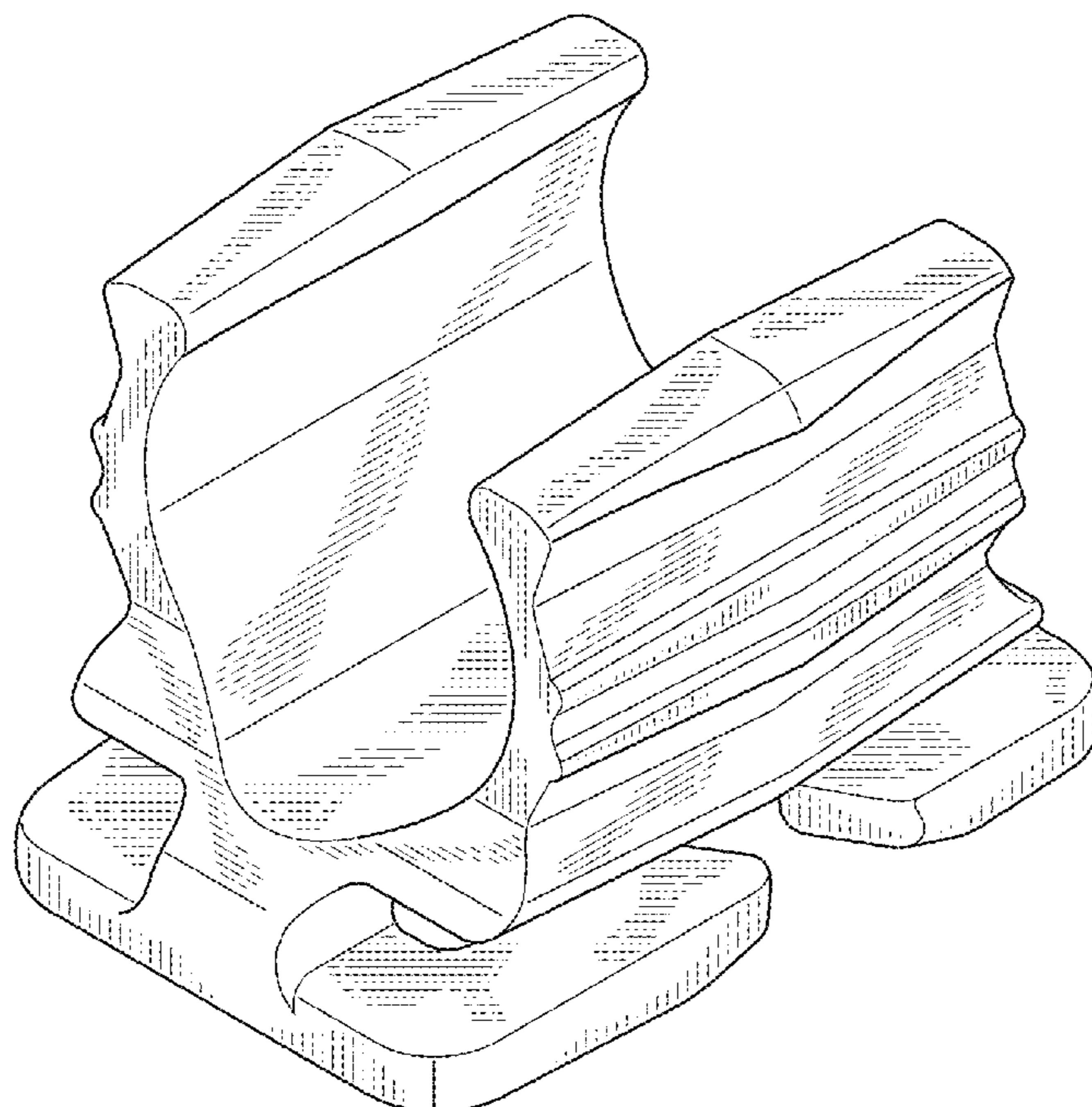
(58) **Field of Classification Search**

CPC F41A 9/61; F41A 9/62; F41A 9/63;
F41A 9/64; F41A 9/65; F41A 9/68; F41A
9/69; F41A 9/73; F41A 9/74; F41A 9/75;
F41A 9/79; F41A 9/86
USPC D22/108; 224/272, 271, 195, 240, 245,
224/242, 251, 239, 547, 931, 223, 665, 678,
224/684; 211/94, 162, 69; 42/51, 71.01,
42/75.01, 75.02, 90, 94

FIG. 1 is a perspective view of a single shell holder showing the new design;
FIG. 2 is a left side view thereof;
FIG. 3 is a right side view thereof;
FIG. 4 is a front end view thereof;
FIG. 5 is a back end view thereof;
FIG. 6 is a top view thereof; and,
FIG. 7 is a bottom view thereof.

See application file for complete search history.

1 Claim, 4 Drawing Sheets



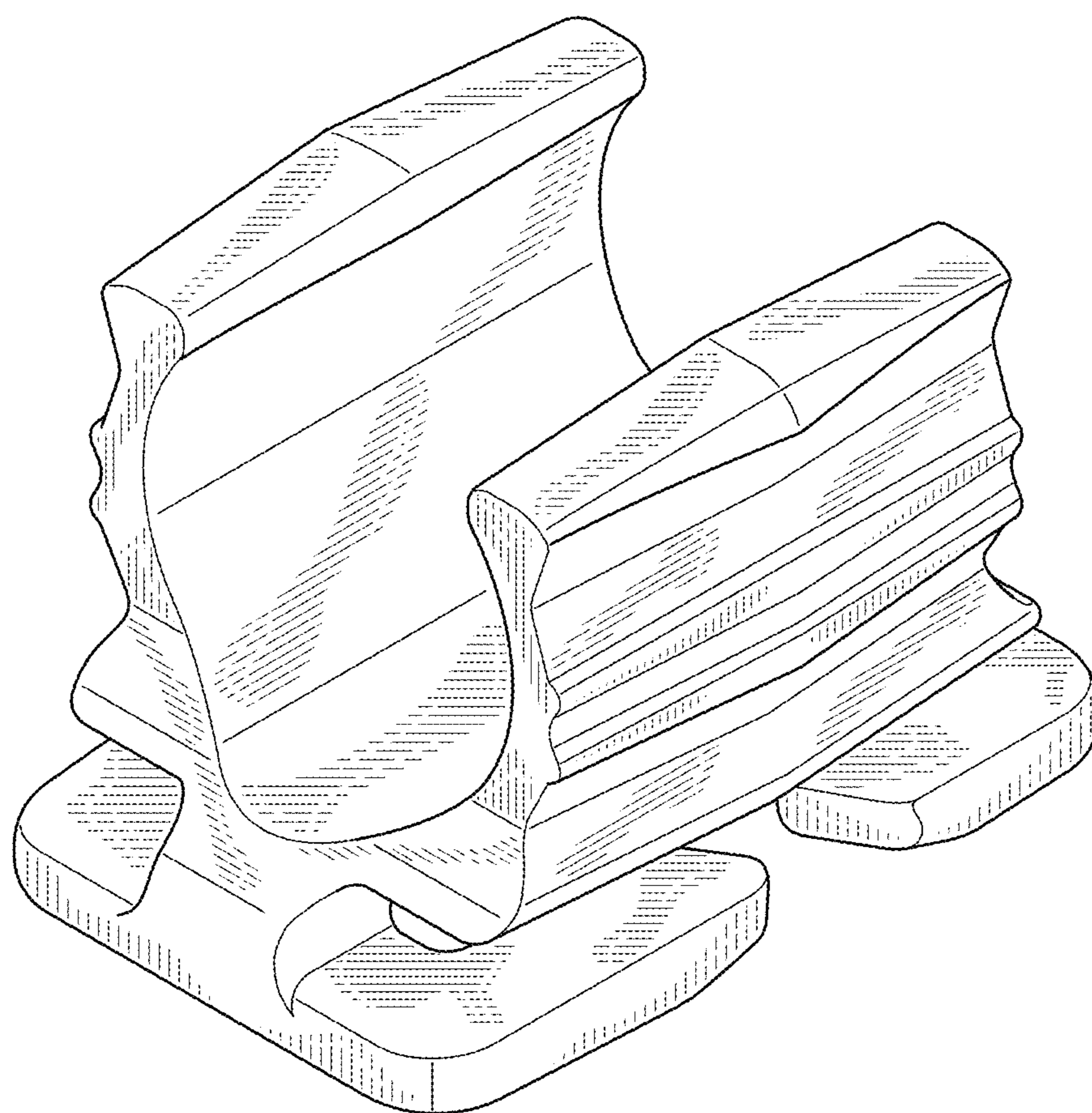


FIG. 1

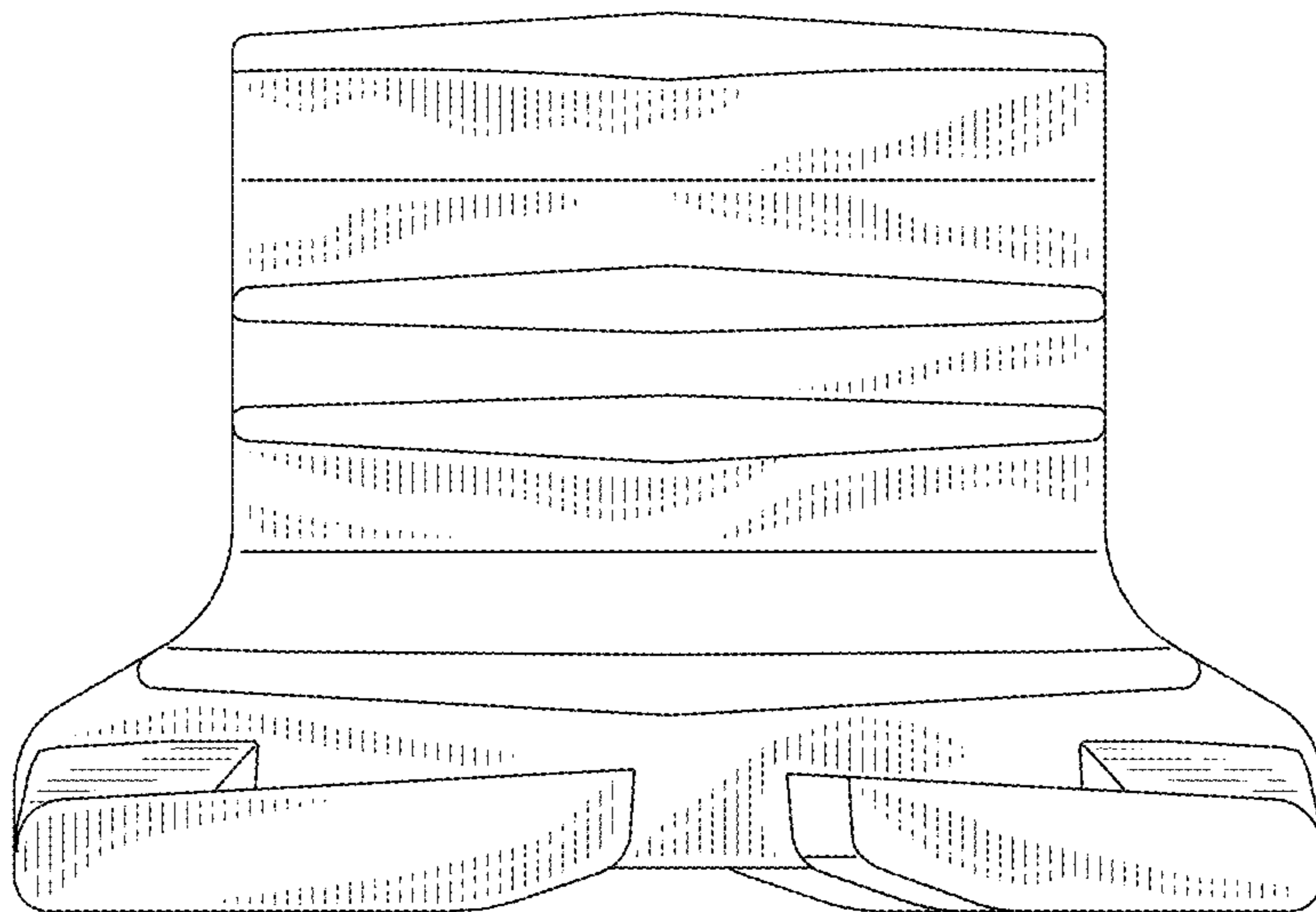


FIG. 2

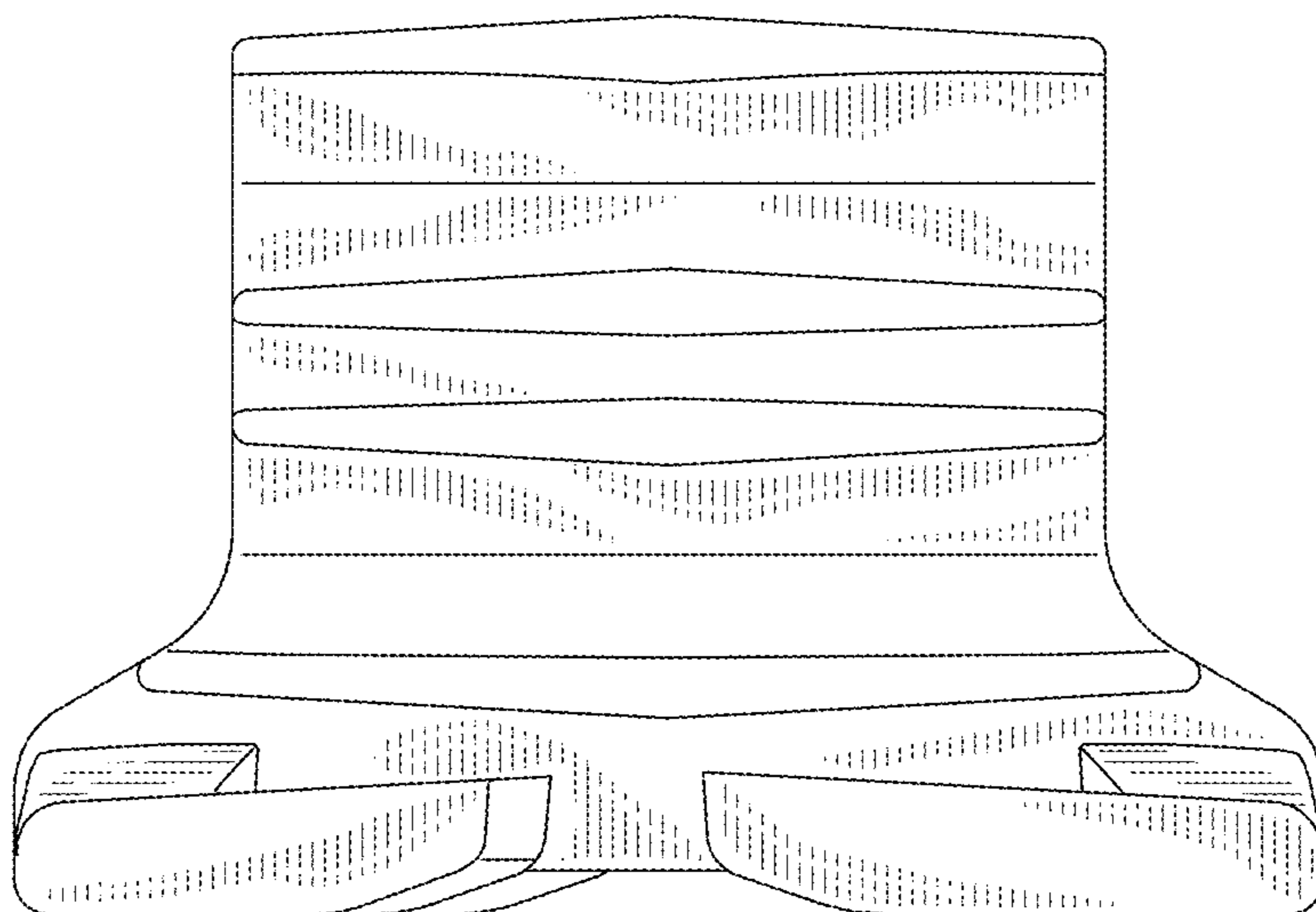


FIG. 3

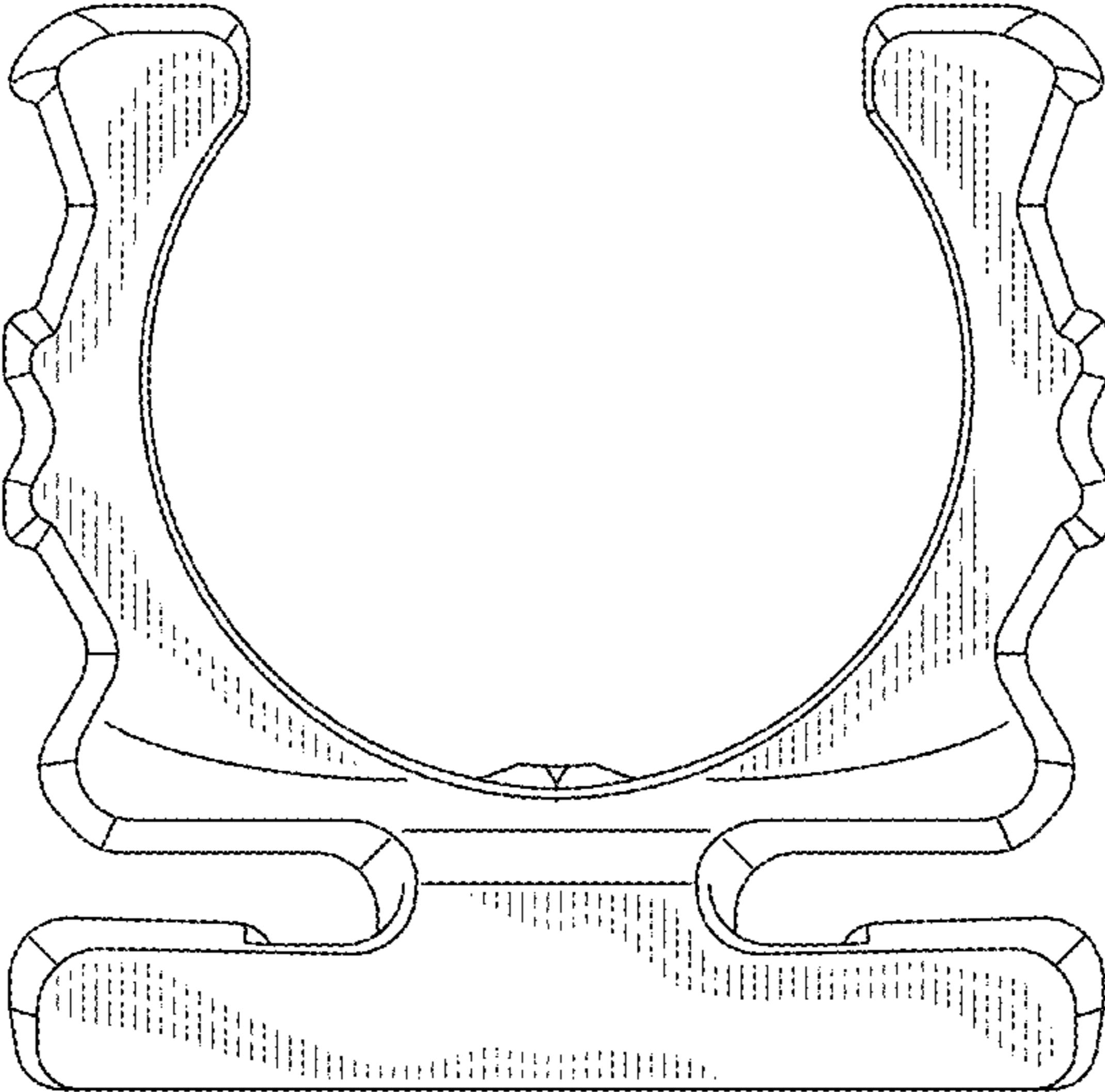


FIG. 4

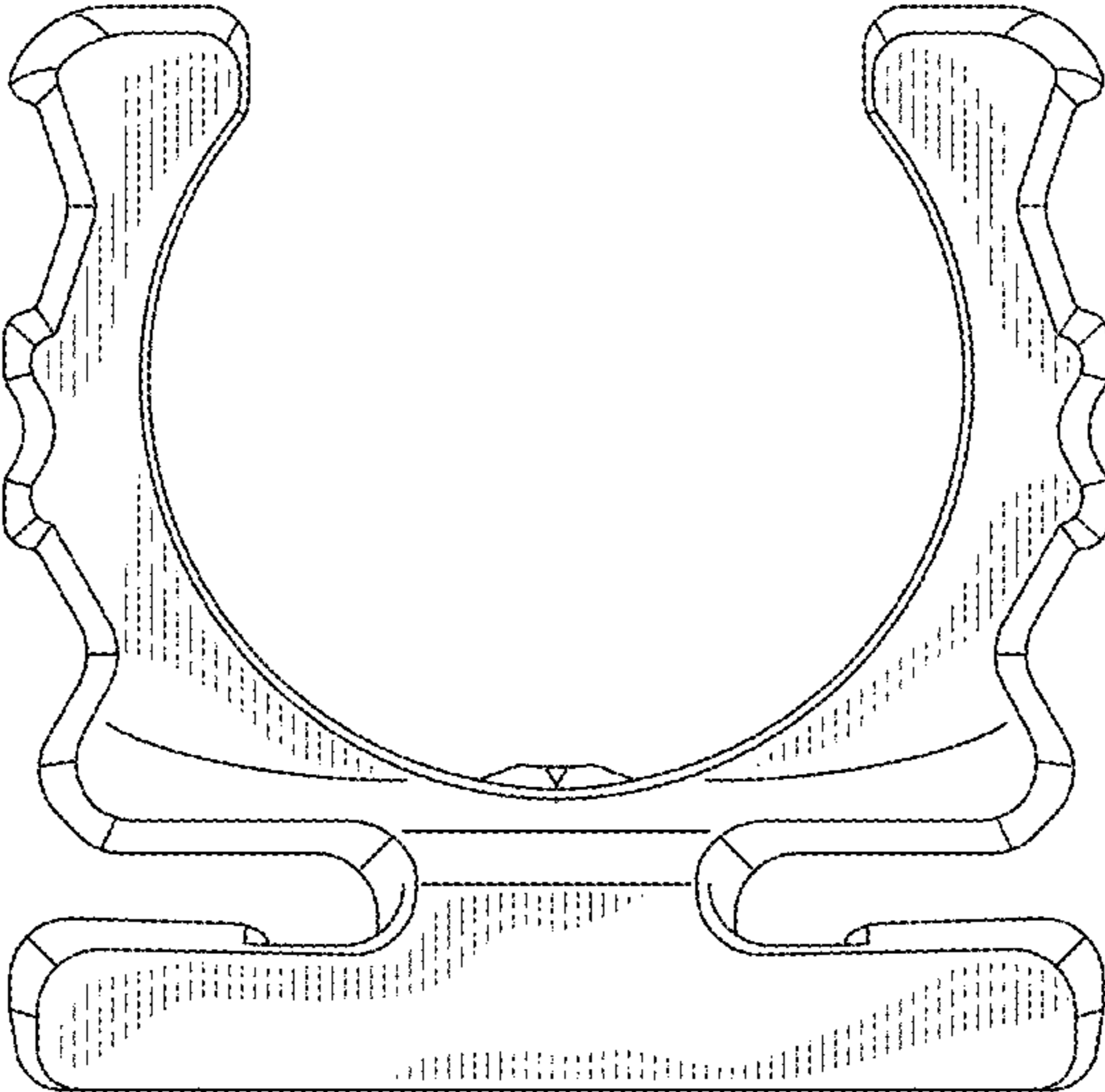


FIG. 5

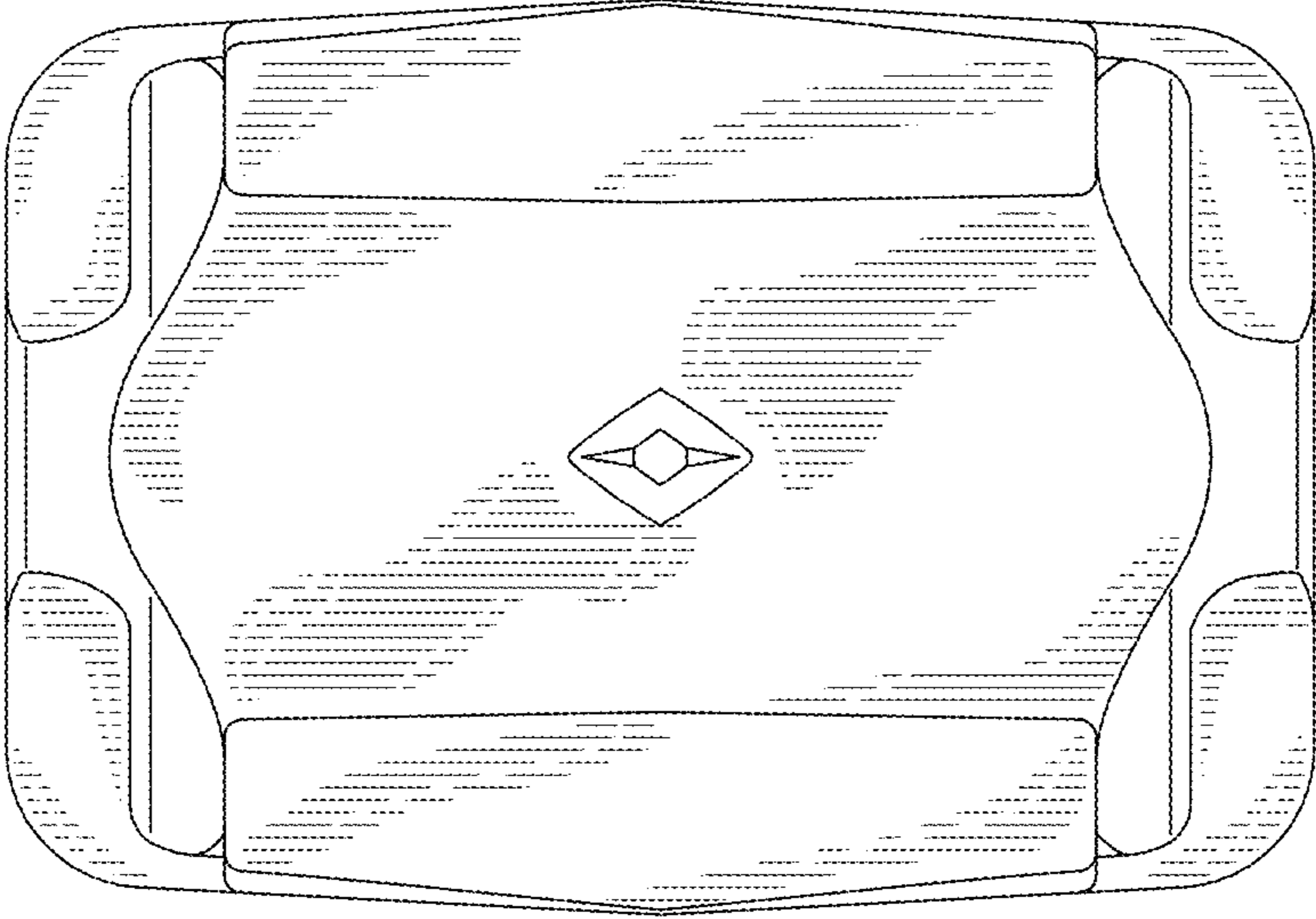


FIG. 6

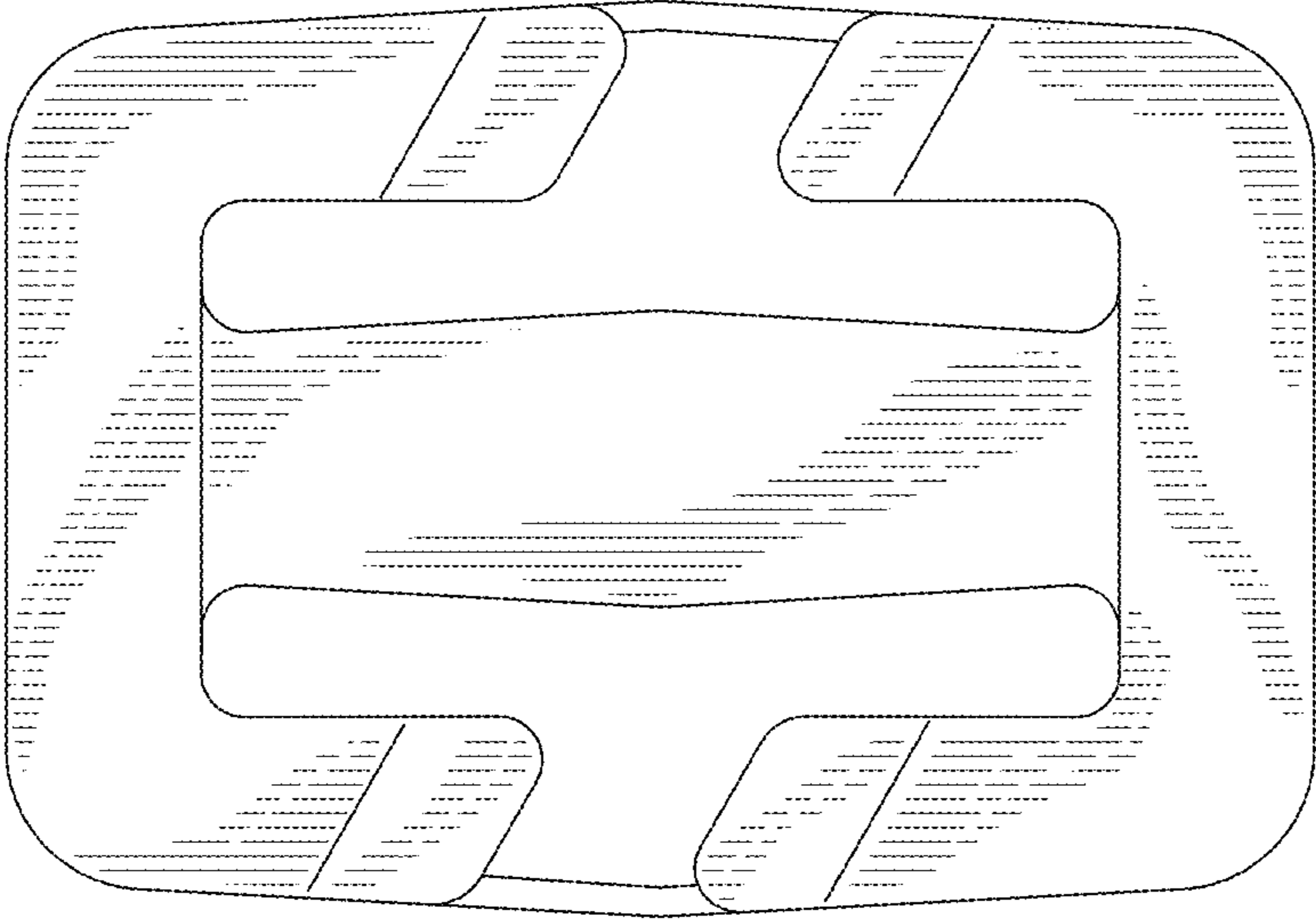


FIG. 7