



US00D730474S

(12) **United States Design Patent**
Ding et al.

(10) **Patent No.:** **US D730,474 S**

(45) **Date of Patent:** **** May 26, 2015**

(54) **RAIL COVER**

(71) Applicant: **Leapers, Inc.**, Livonia, MI (US)

(72) Inventors: **Tai-Lai Ding**, Northville, MI (US);
Yuedong Yan, Novi, MI (US)

(73) Assignee: **Leapers, Inc.**, Livonia, MI (US)

(**) Term: **14 Years**

(21) Appl. No.: **29/480,202**

(22) Filed: **Jan. 24, 2014**

(51) **LOC (10) Cl.** **22-01**

(52) **U.S. Cl.**
USPC **D22/108**

(58) **Field of Classification Search**
CPC F41C 23/00; F41C 27/00; F41C 27/06
USPC D22/108; 42/90, 85, 106, 113–114,
42/124–128; 89/37.03–37.04, 41.17
See application file for complete search history.

(56) **References Cited**

U.S. PATENT DOCUMENTS

D429,790 S * 8/2000 Plonka D22/110
6,725,594 B2 * 4/2004 Hines 42/90
6,782,652 B1 * 8/2004 Erickson 42/143

D625,378 S * 10/2010 Fitzpatrick et al. D22/108
7,971,383 B2 * 7/2011 Fitzpatrick et al. 42/96
D644,706 S * 9/2011 Trusty D22/108
D652,470 S * 1/2012 Trusty D22/108
D652,887 S * 1/2012 Trusty D22/108
D655,776 S * 3/2012 Trusty D22/108
D667,917 S * 9/2012 Fitzpatrick et al. D22/108
D668,731 S * 10/2012 Fitzpatrick et al. D22/108
D676,920 S * 2/2013 Fitzpatrick et al. D22/108
2012/0085013 A1 * 4/2012 Cahill 42/96

* cited by examiner

Primary Examiner — Michael A Pratt

(74) *Attorney, Agent, or Firm* — Honigman Miller Schwartz
and Cohn LLP

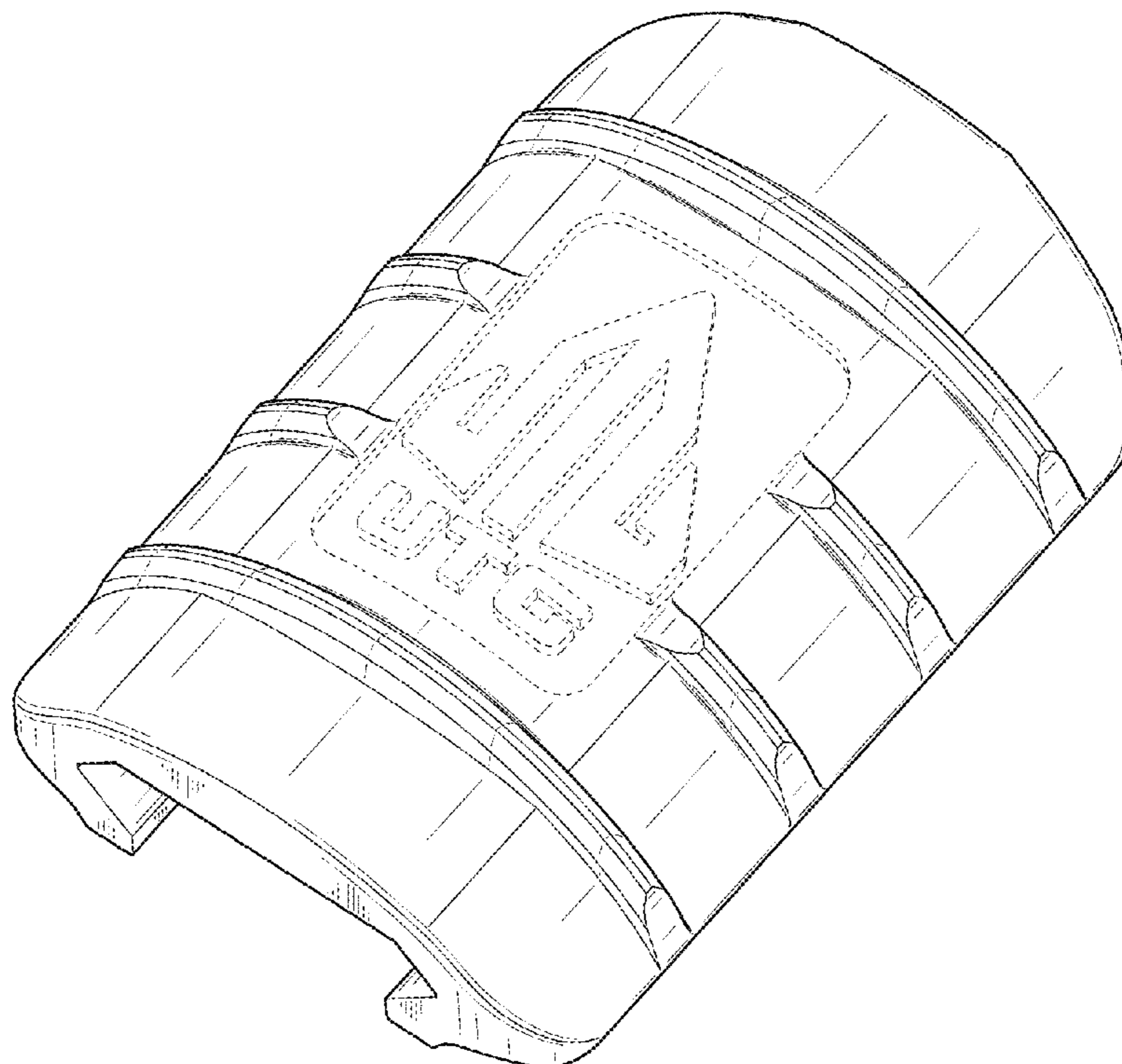
(57) **CLAIM**

The ornamental design for a rail cover, as shown and
described.

DESCRIPTION

FIG. 1 is a top/front isometric view of the rail cover disclosed
herein, wherein ghosted lines indicate features which do not
form part of the claimed invention;
FIG. 2 is a front elevational view of the rail cover of FIG. 1;
FIG. 3 is a rear elevational view of the rail cover of FIG. 1;
FIG. 4 is a right side view of the rail cover of FIG. 1;
FIG. 5 is a left side view of the rail cover of FIG. 1;
FIG. 6 is a top view of the rail cover of FIG. 1; and,
FIG. 7 is a back view of the rail cover of FIG. 1.

1 Claim, 4 Drawing Sheets



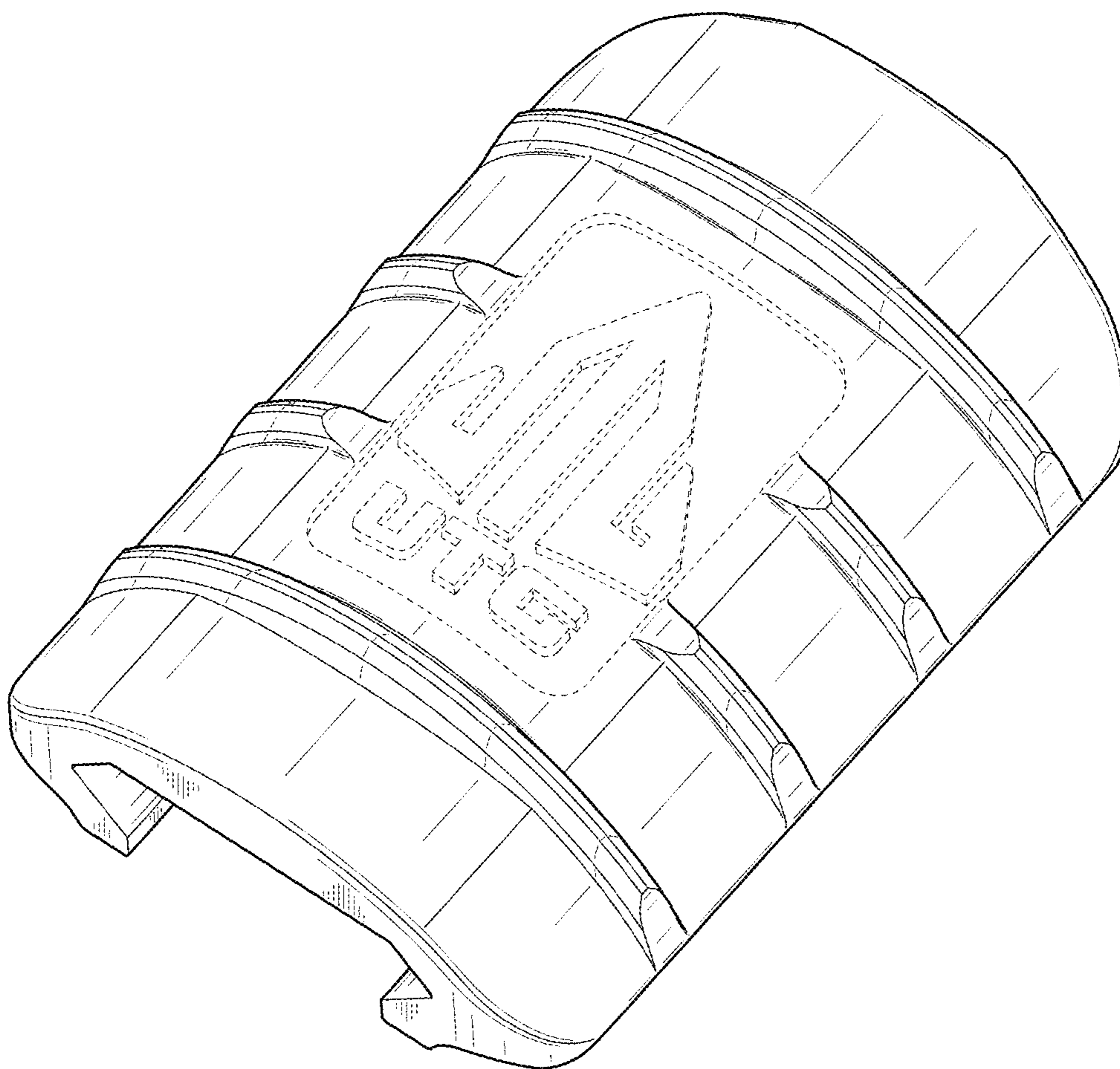


FIG. 1

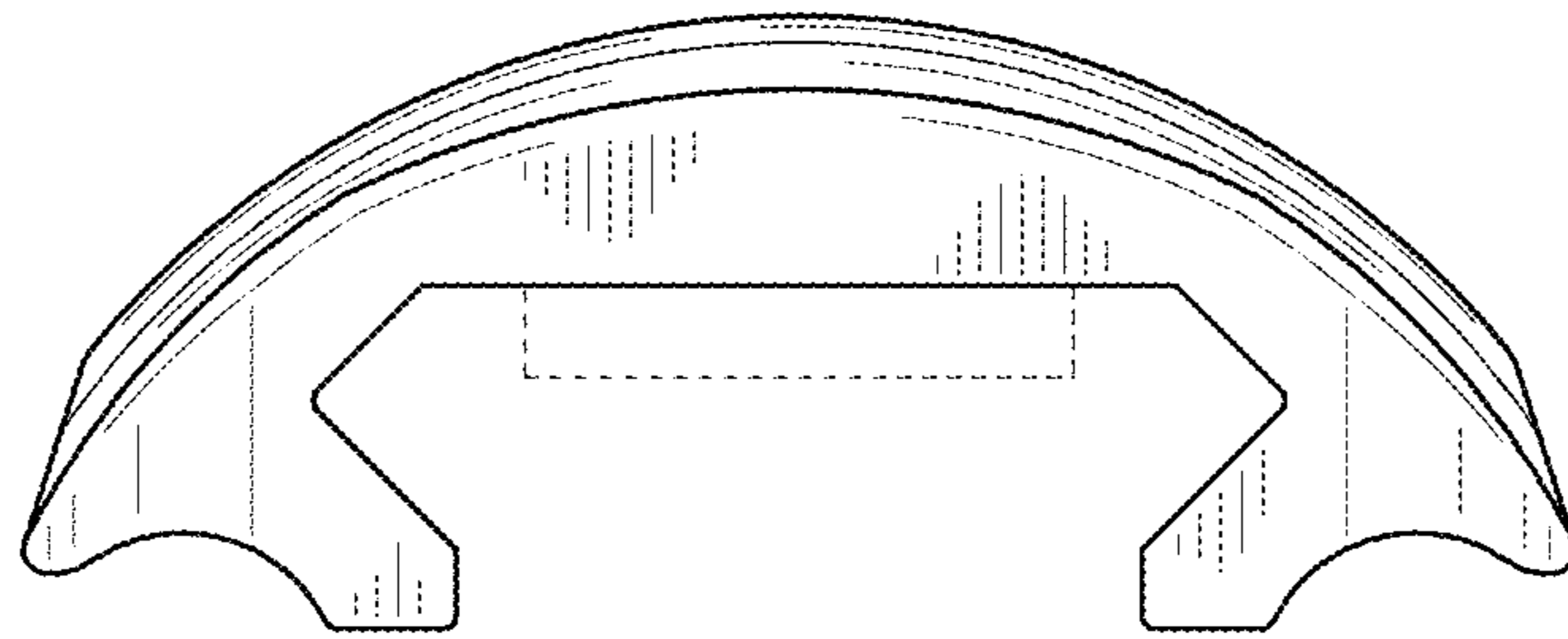


FIG. 2

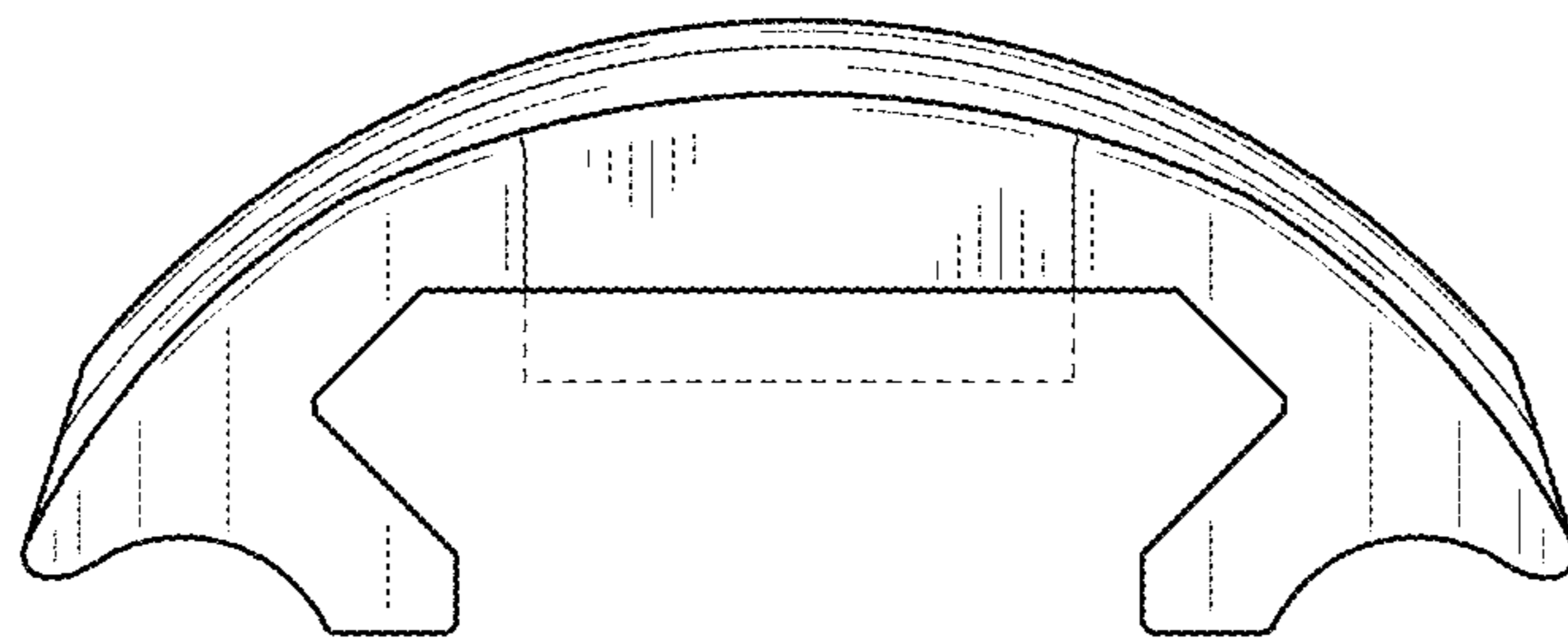


FIG. 3

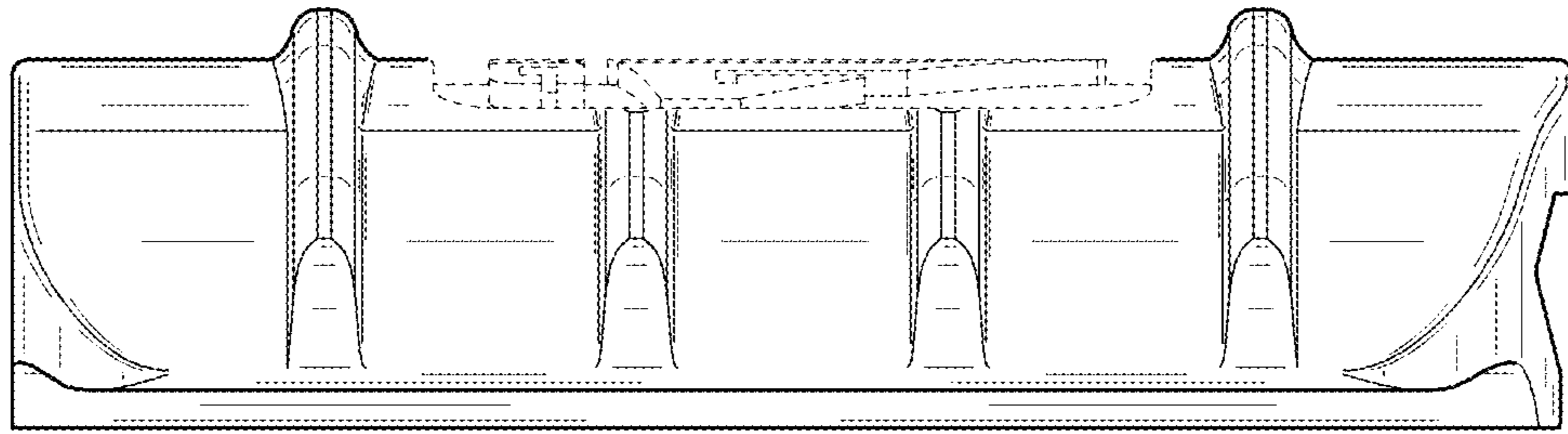


FIG. 4

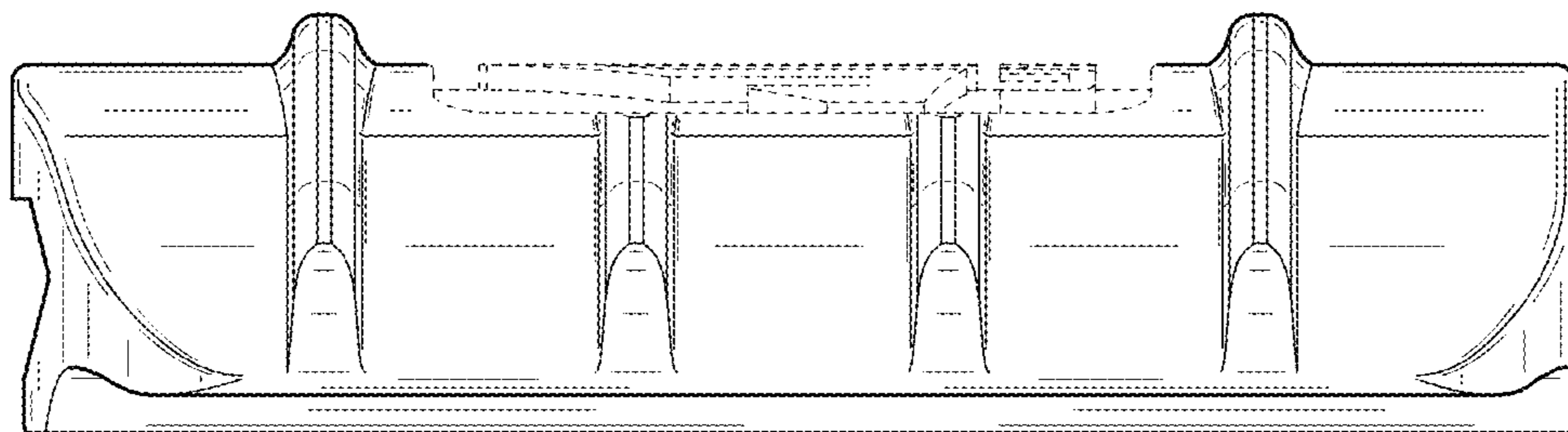


FIG. 5

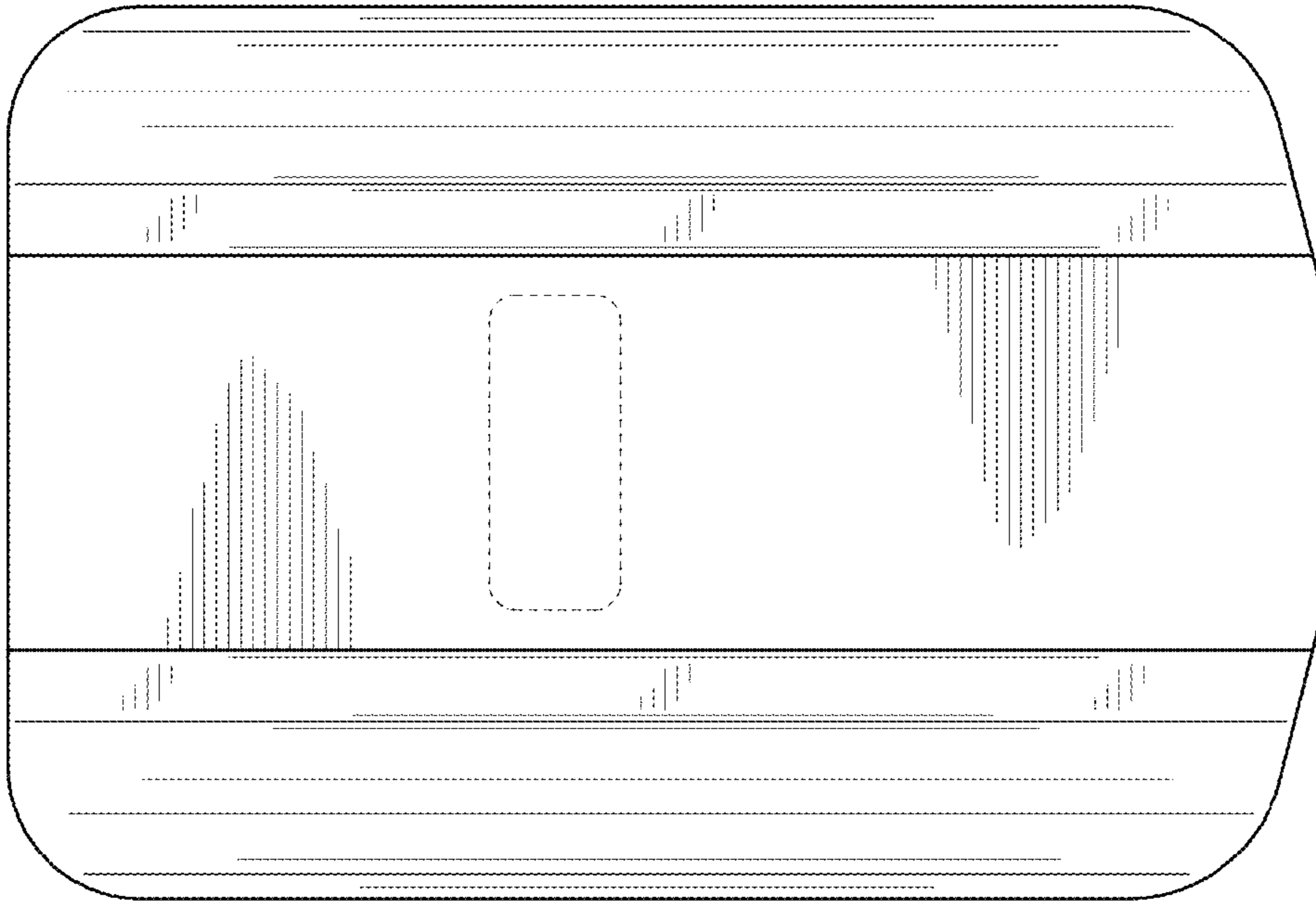


FIG. 7

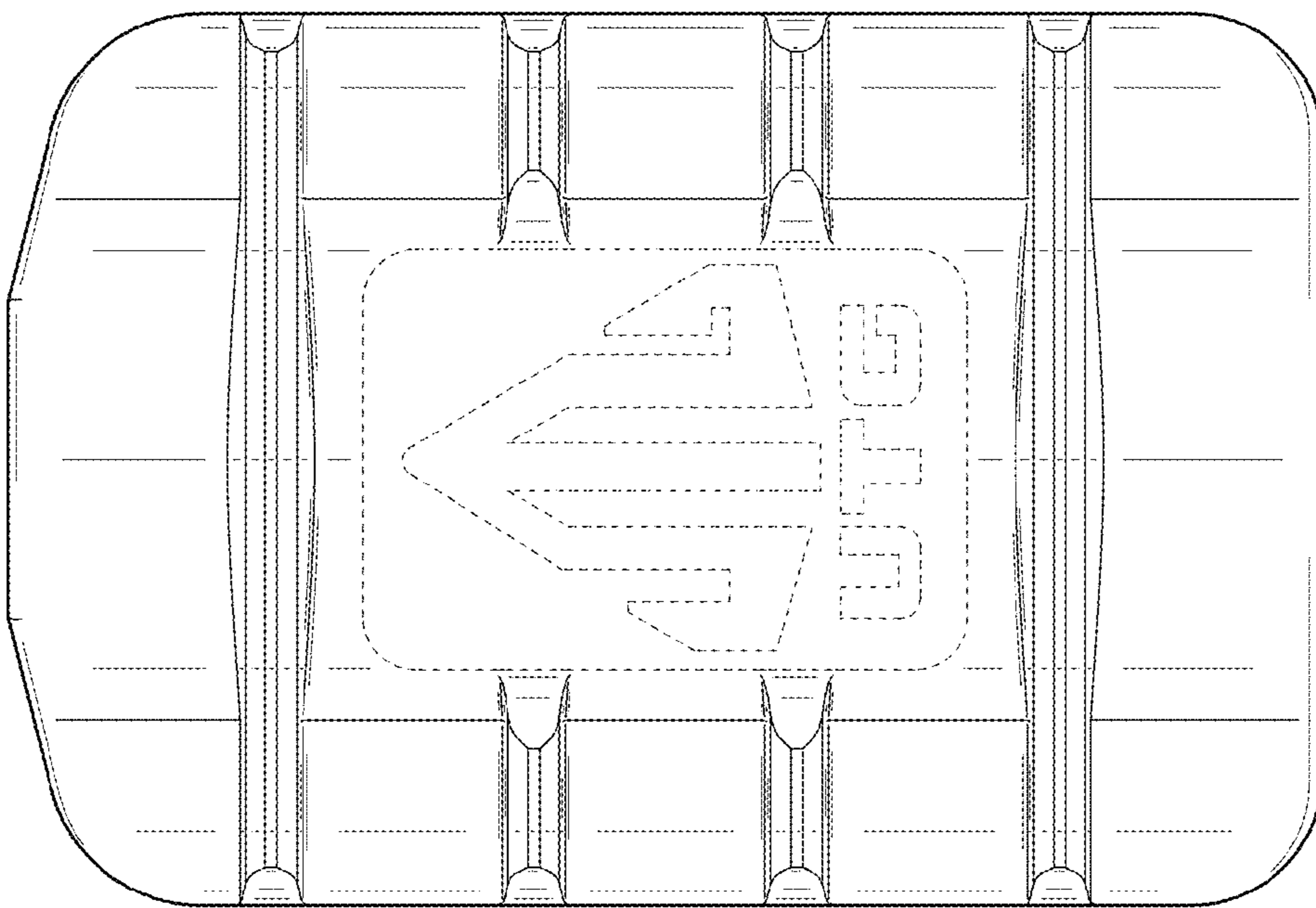


FIG. 6